



US00D809838S

(12) **United States Design Patent**
Hendifar et al.

(10) **Patent No.:** **US D809,838 S**
(45) **Date of Patent:** **** Feb. 13, 2018**

- (54) **FURNITURE ACCESSORY**
- (71) Applicant: **Apparatus LLC**, New York, NY (US)
- (72) Inventors: **Gabriel Hendifar**, Rhinebeck, NY (US); **Jeremy R. Anderson**, Rhinebeck, NY (US)
- (73) Assignee: **APPARATUS LLC**, New York, NY (US)
- (**) Term: **15 Years**
- (21) Appl. No.: **29/562,889**
- (22) Filed: **Apr. 29, 2016**
- (51) **LOC (11) Cl.** **20-02**
- (52) **U.S. Cl.**
USPC **D6/683; D6/677**
- (58) **Field of Classification Search**
USPC D4/116; D6/524-525, 551, 677, D6/683-683.1; D19/73, 77
CPC A01K 1/0114
See application file for complete search history.

- D525,467 S * 7/2006 Michelson D6/524
- D576,801 S * 9/2008 Dretzka D4/116
- D589,734 S * 4/2009 Weis D6/551
- D629,635 S * 12/2010 Raven D6/524
- D718,814 S * 12/2014 Cline D19/73
- 9,033,382 B2 * 5/2015 Hollett A01K 1/0114
294/1.3
- D755,289 S * 5/2016 Farnworth D19/73

* cited by examiner

Primary Examiner — Caron D Veynar

Assistant Examiner — Melvin L Davis

(74) *Attorney, Agent, or Firm* — Gottlieb, Rackman & Reisman, P.C.

(57) **CLAIM**

The ornamental design for a furniture accessory, as shown and described.

DESCRIPTION

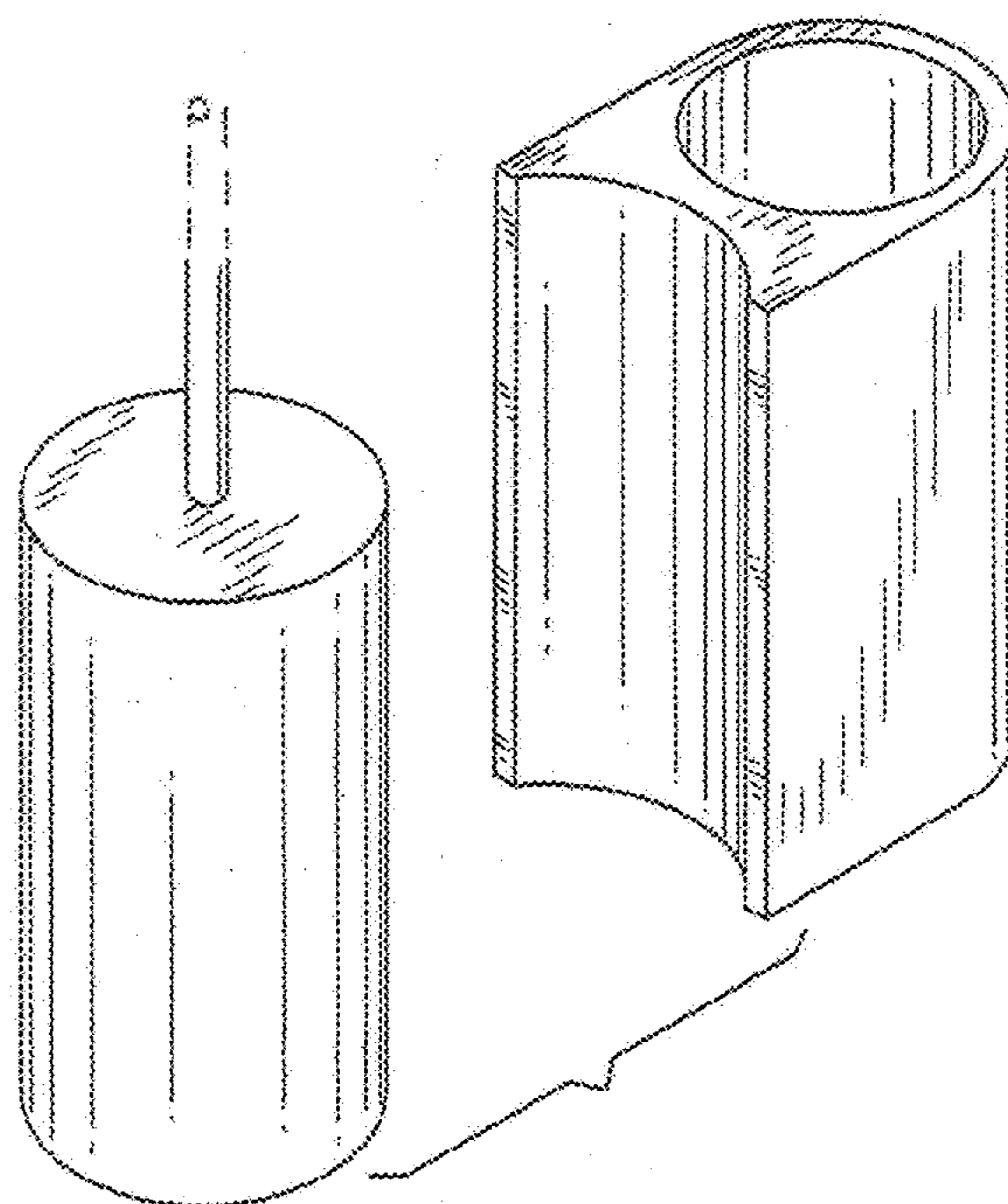
FIG. 1 is a front perspective view of the furniture accessory showing our new design;
 FIG. 2 is a top plan view thereof;
 FIG. 3 is a right side elevational view thereof, with the left side elevational view being the same;
 FIG. 4 is a rear elevational view thereof, with the front elevational view being the mirror image;
 FIG. 5 is a bottom plan view thereof; and,
 FIG. 6 is a front exploded perspective view thereof.
 The broken lines in FIG. 1-FIG. 6 are for the purposes of illustrating environment only and form no part of the claimed design.

1 Claim, 2 Drawing Sheets

(56) **References Cited**

U.S. PATENT DOCUMENTS

- D294,895 S * 3/1988 Valento D6/677
- D320,812 S * 10/1991 Yuen D19/100
- D414,064 S * 9/1999 Shafik D6/525
- D453,888 S * 2/2002 Gottwald D6/551
- D508,608 S * 8/2005 Huff D32/45
- D509,961 S * 9/2005 Petersen-Rutten D4/121



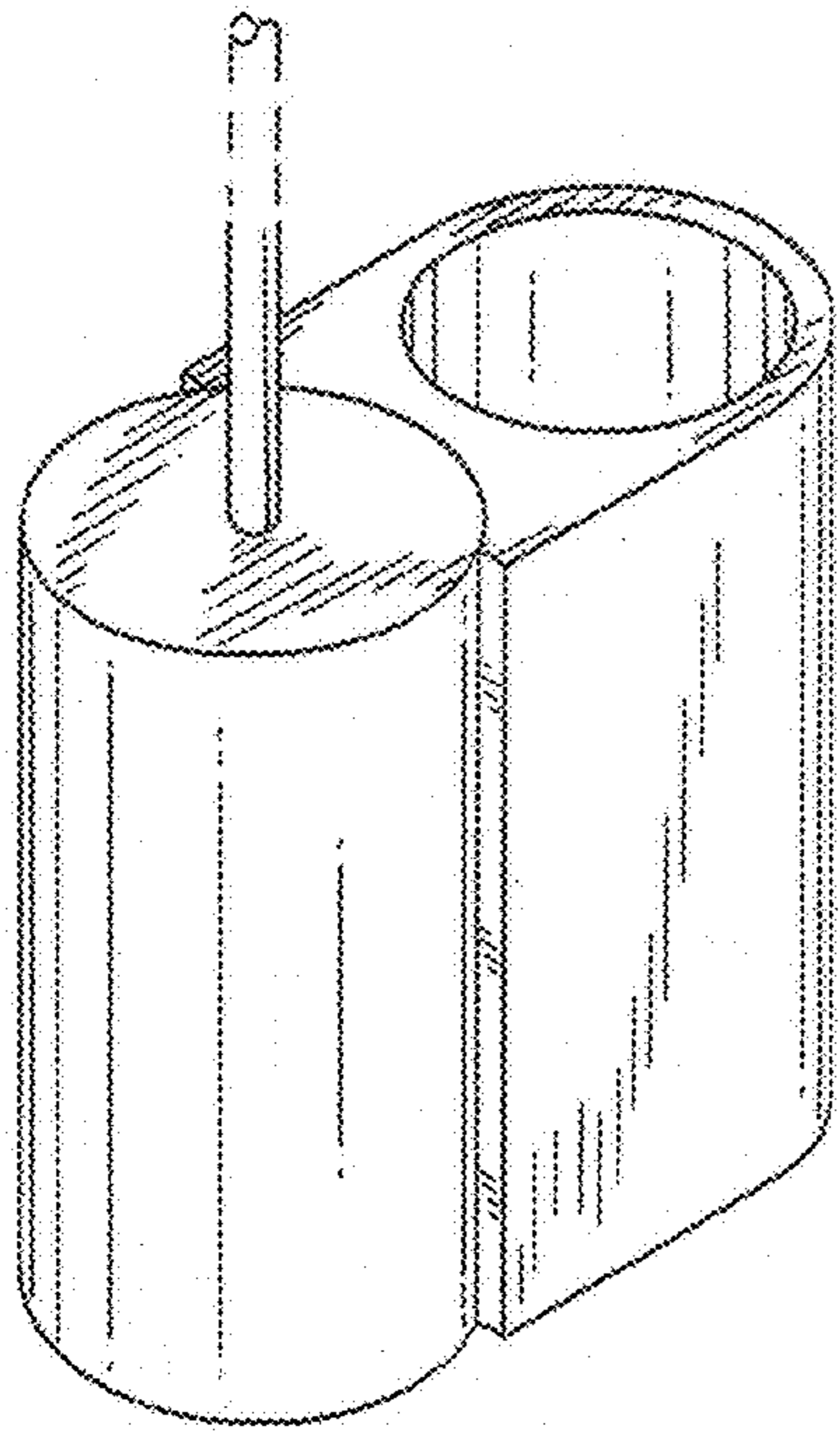


FIG. 1

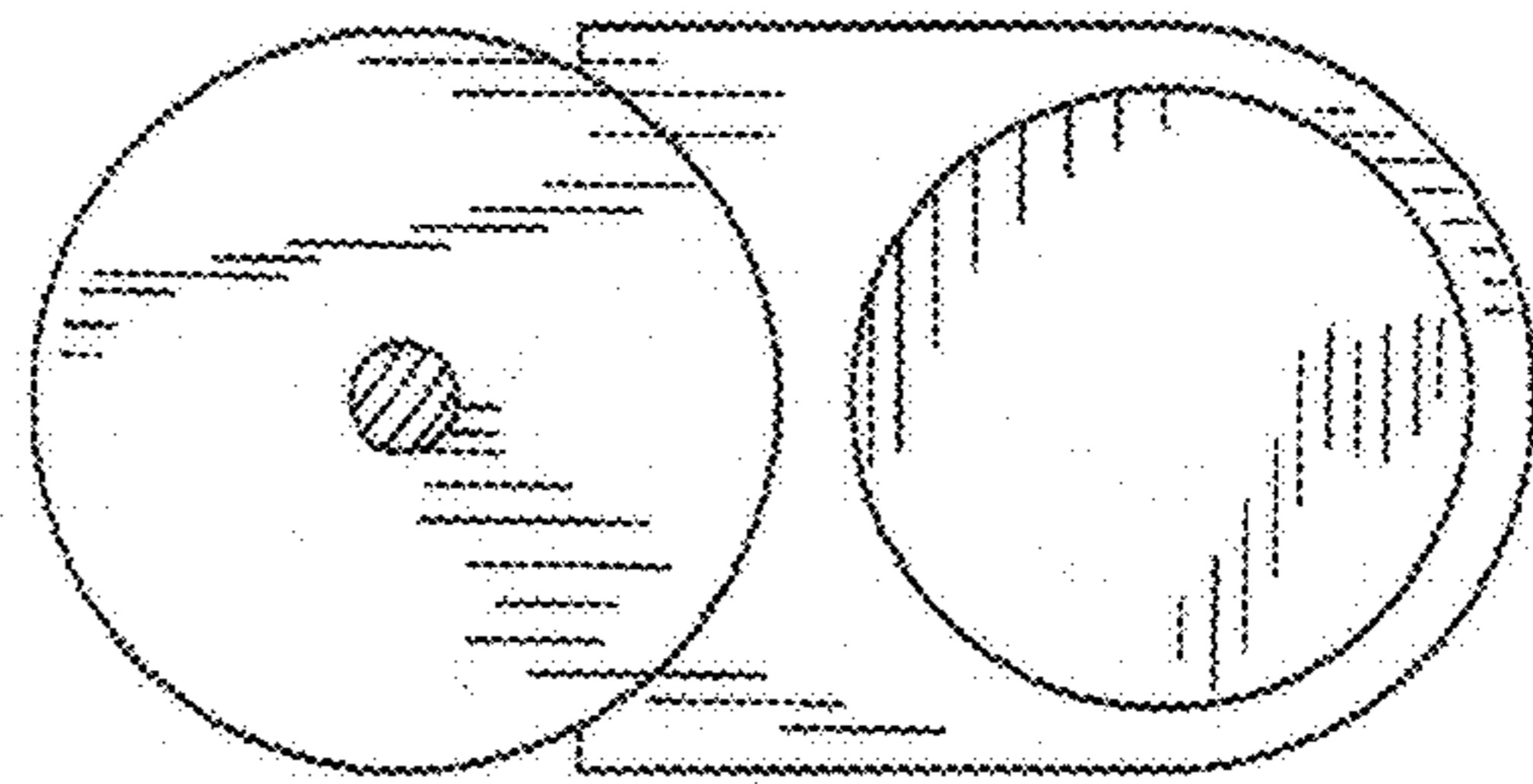


FIG. 2

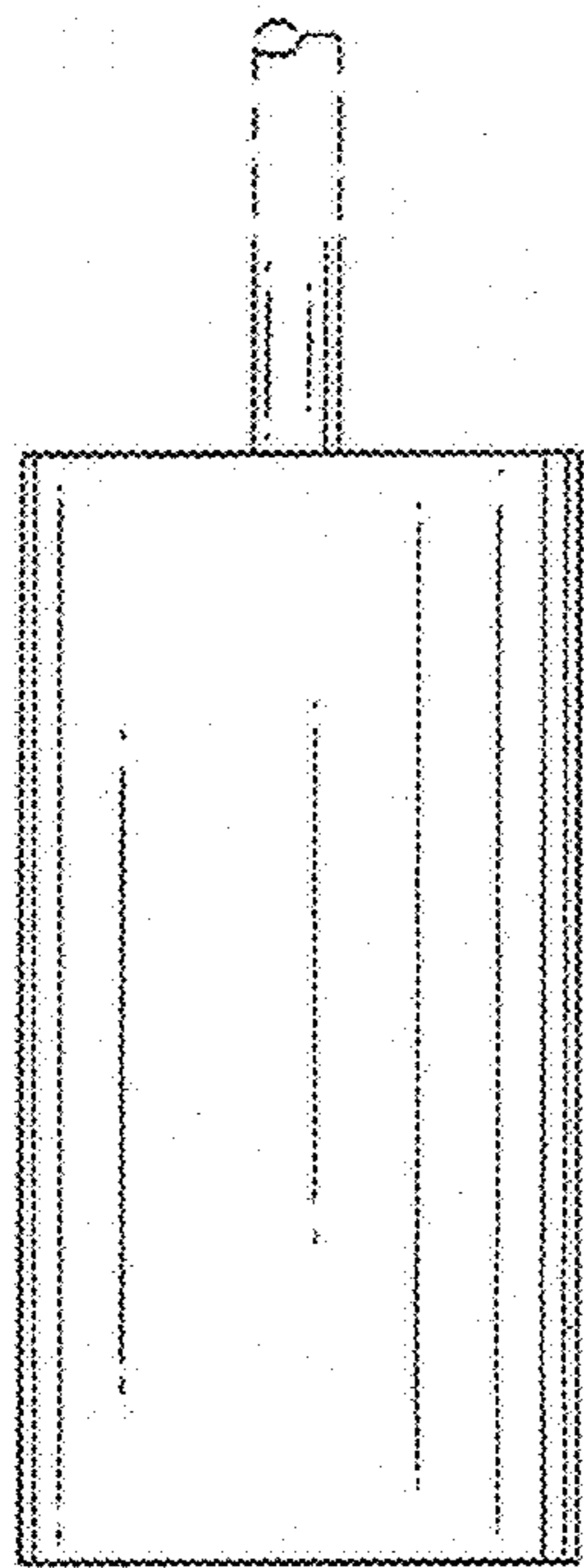


FIG. 3

FIG. 4

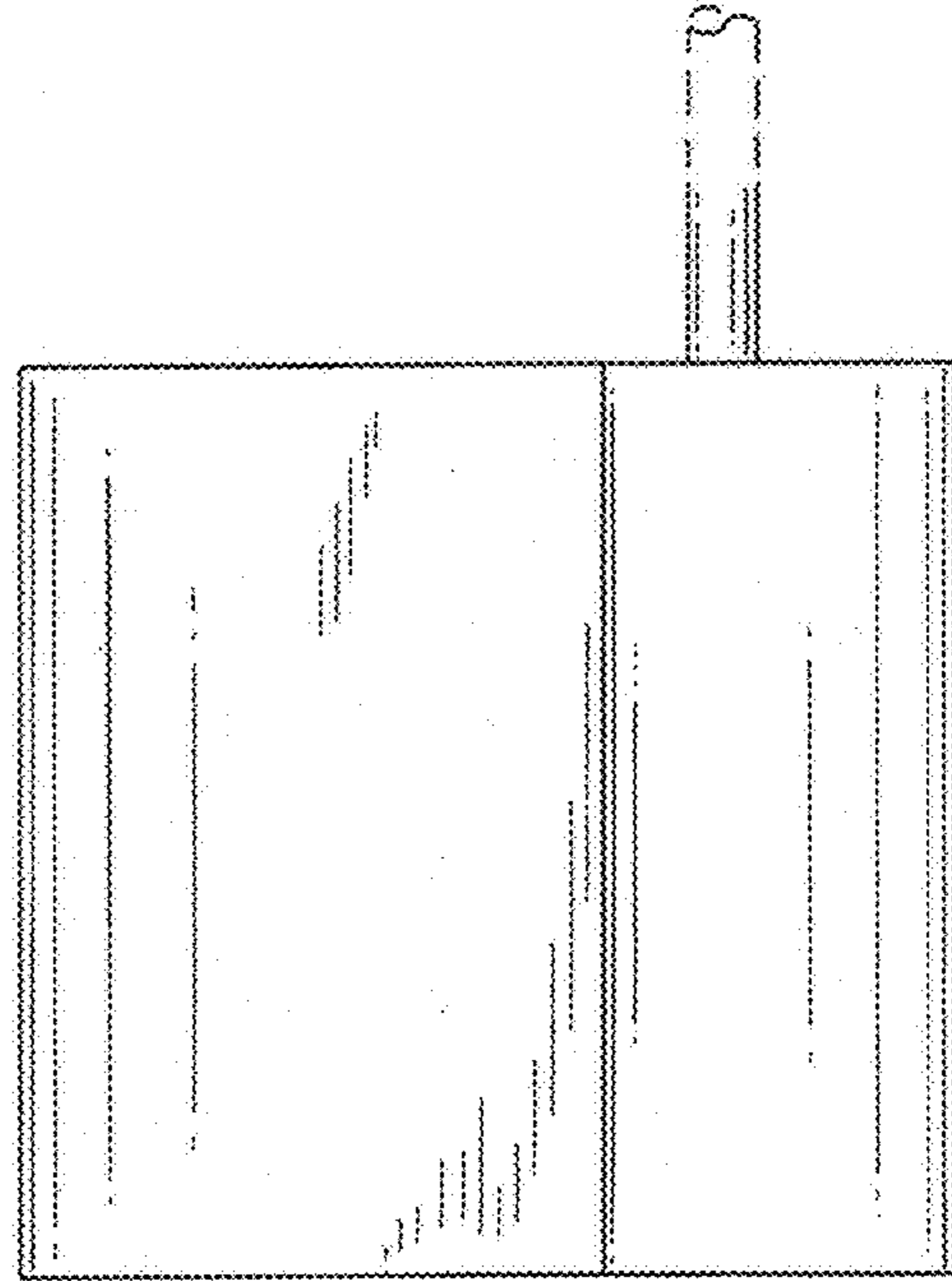


FIG. 5

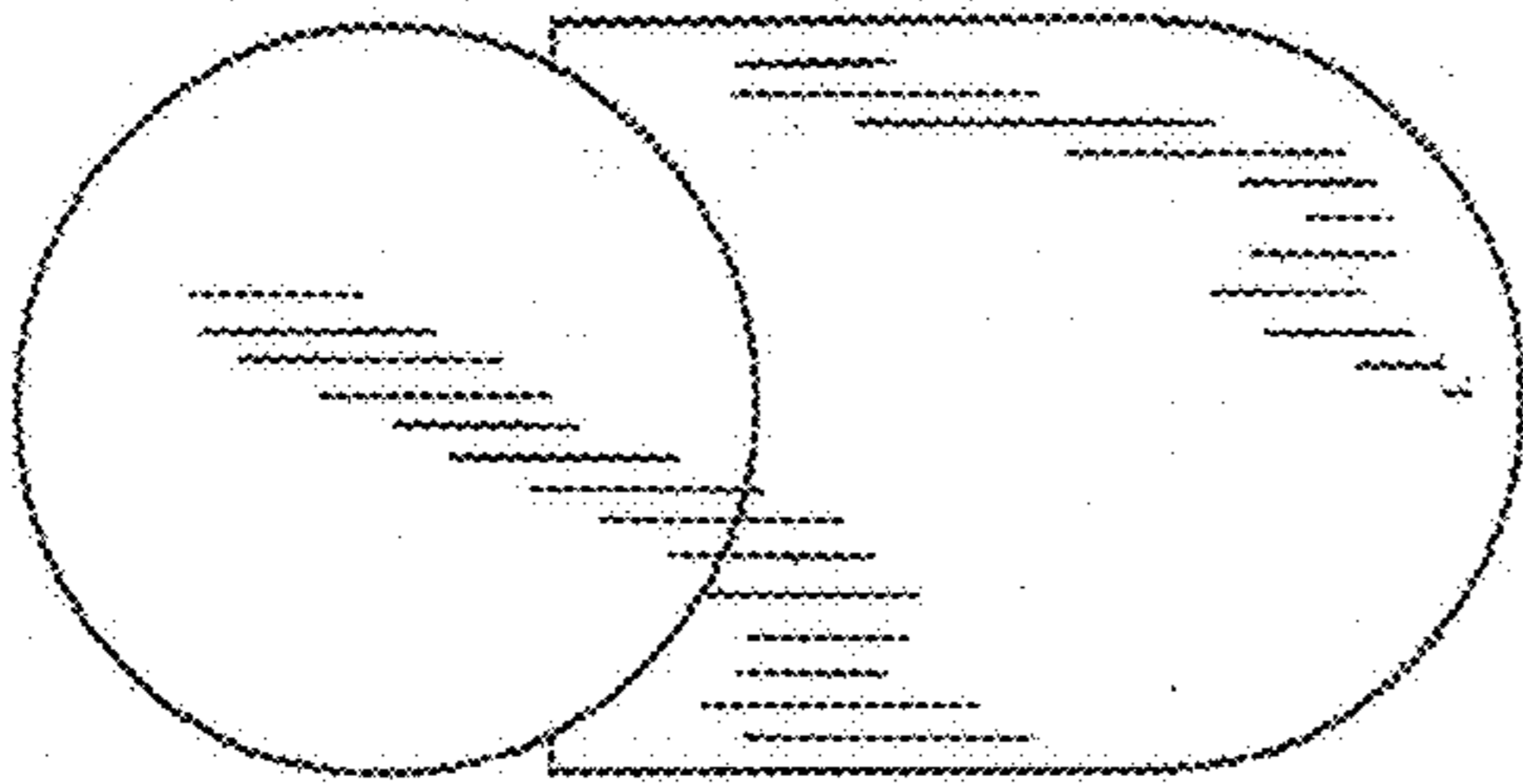


FIG. 6

