



US00D809837S

(12) **United States Design Patent**
Gao

(10) **Patent No.:** **US D809,837 S**

(45) **Date of Patent:** **** Feb. 13, 2018**

(54) **RING HOLDER**

(71) Applicant: **Qingdao Real Packaging Products Co., Ltd.**, Qingdao (CN)

(72) Inventor: **Shimin Gao**, Qingdao (CN)

(73) Assignee: **Qingdao Real Packaging Products Co., Ltd.**, Qingdao (CN)

(**) Term: **15 Years**

(21) Appl. No.: **29/585,341**

(22) Filed: **Nov. 22, 2016**

(51) **LOC (11) Cl.** **06-06**

(52) **U.S. Cl.**
USPC **D6/682.2**

(58) **Field of Classification Search**
USPC D6/682, 682.2, 682.3, 682.4, 683, 683.1, D6/702-703
CPC A47F 3/14; A47F 5/108; A47F 5/00; A47F 7/00; A47F 7/02
See application file for complete search history.

(56) **References Cited**

U.S. PATENT DOCUMENTS

D379,410 S * 5/1997 Porcaro D6/682.3
D624,549 S * 9/2010 Okoshi D14/451

8,991,776 B1 * 3/2015 DiMaggio A47F 3/02 206/6.1
D759,463 S * 6/2016 Metzler D8/349
D782,853 S * 4/2017 Foster D6/682.3
D783,592 S * 4/2017 Ju D14/253

* cited by examiner

Primary Examiner — Kelley Donnelly

(74) *Attorney, Agent, or Firm* — Perkins Coie LLP

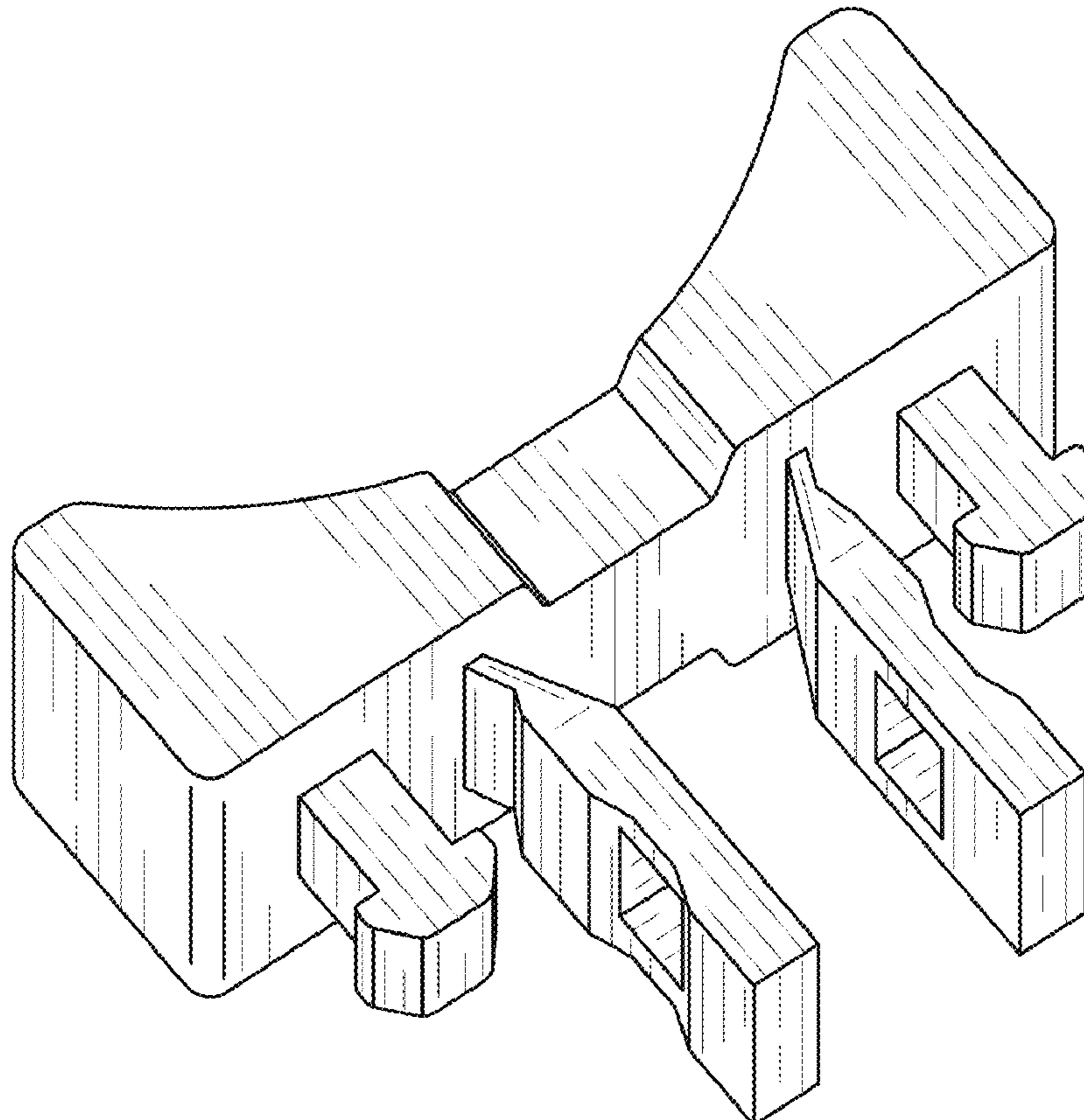
(57) **CLAIM**

The ornamental design for a ring holder, as shown and described.

DESCRIPTION

FIG. 1 is a perspective view of a ring holder.
FIG. 2 is an alternative perspective view thereof.
FIG. 3 is a front elevational view thereof.
FIG. 4 is a rear elevational view thereof.
FIG. 5 is a right side elevational view thereof.
FIG. 6 is a left side elevational view thereof.
FIG. 7 is a top plan view thereof.
FIG. 8 is a bottom plan view thereof; and,
FIG. 9 illustrates an example environment in which the ring holder may be used.
Any broken lines (e.g., dash lines, dot lines, dash-dot-dash-dot lines) of FIGS. 1-8 illustrate portions of the ring holder that form no part of the claimed design. The broken lines of FIG. 9 illustrate environmental matter and form no part of the claimed design.

1 Claim, 5 Drawing Sheets



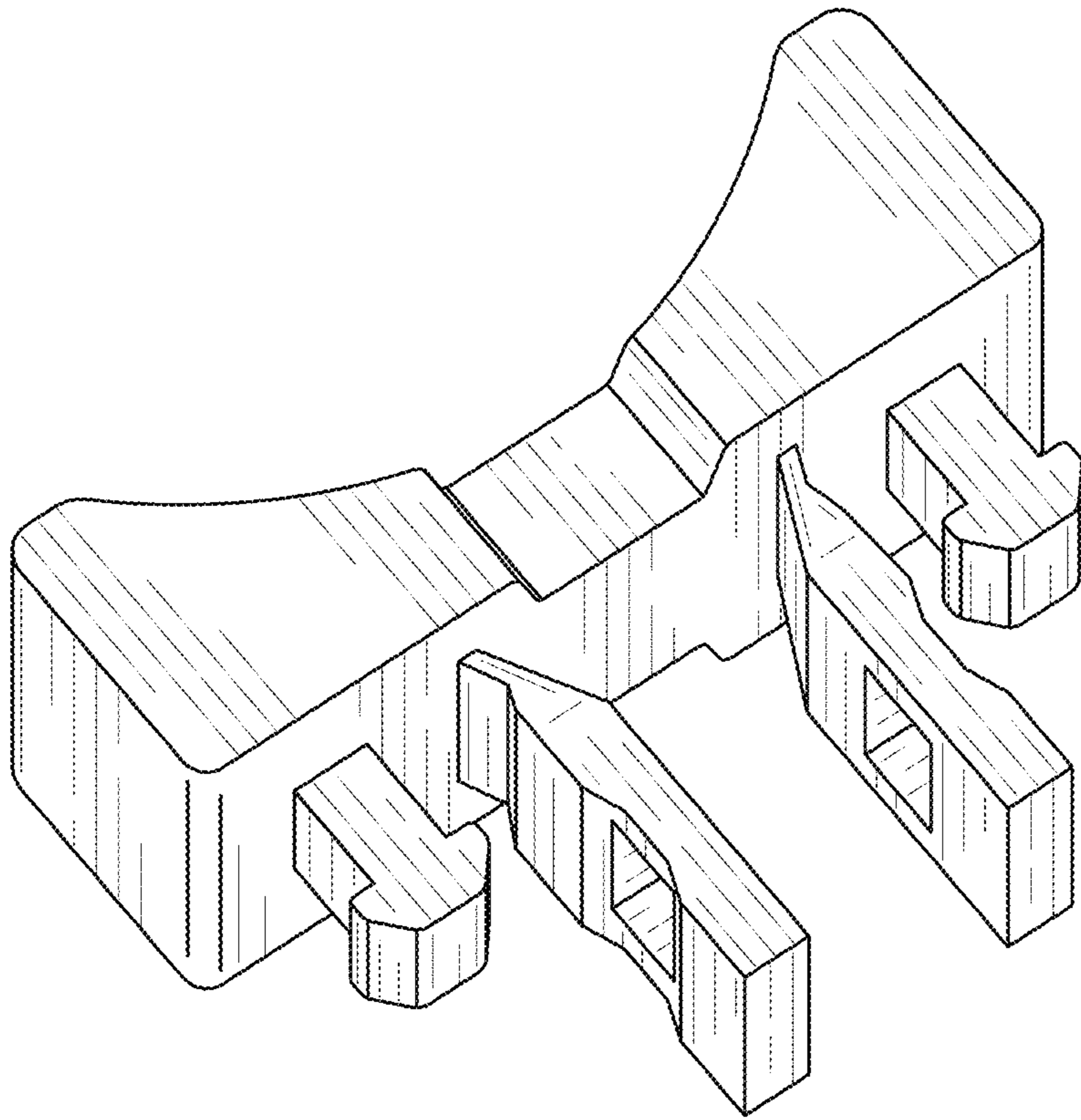


FIG. 1

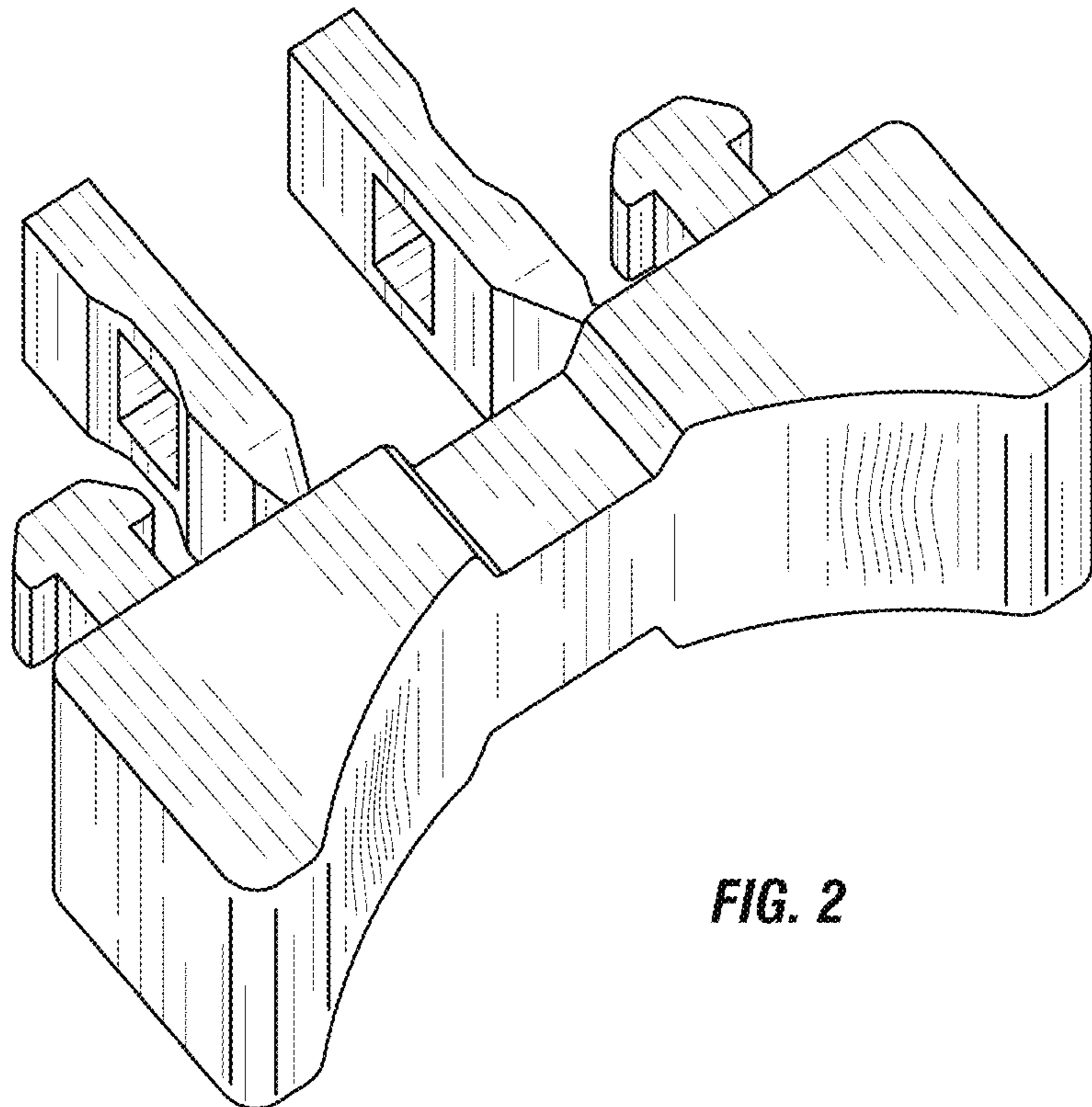


FIG. 2

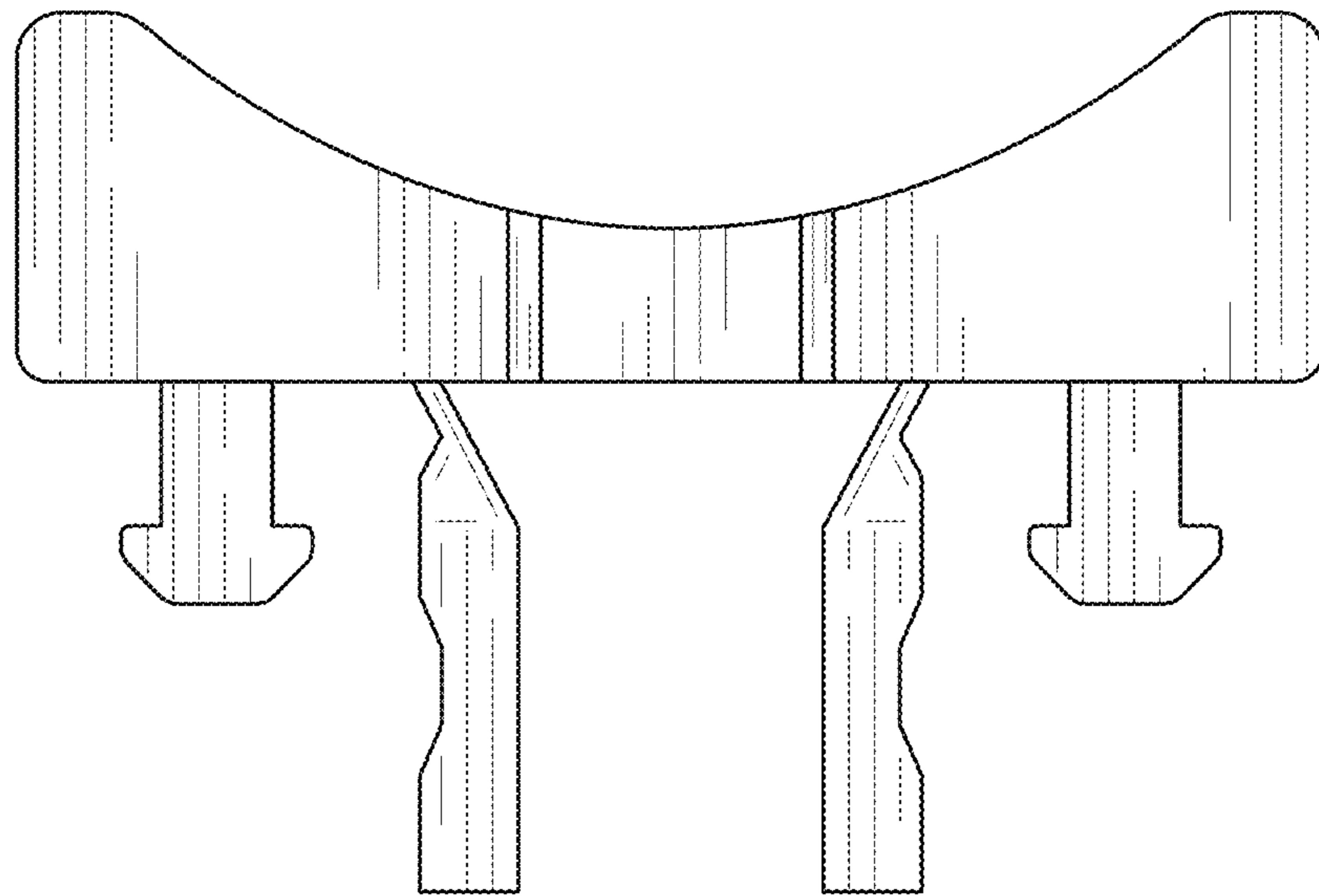


FIG. 3

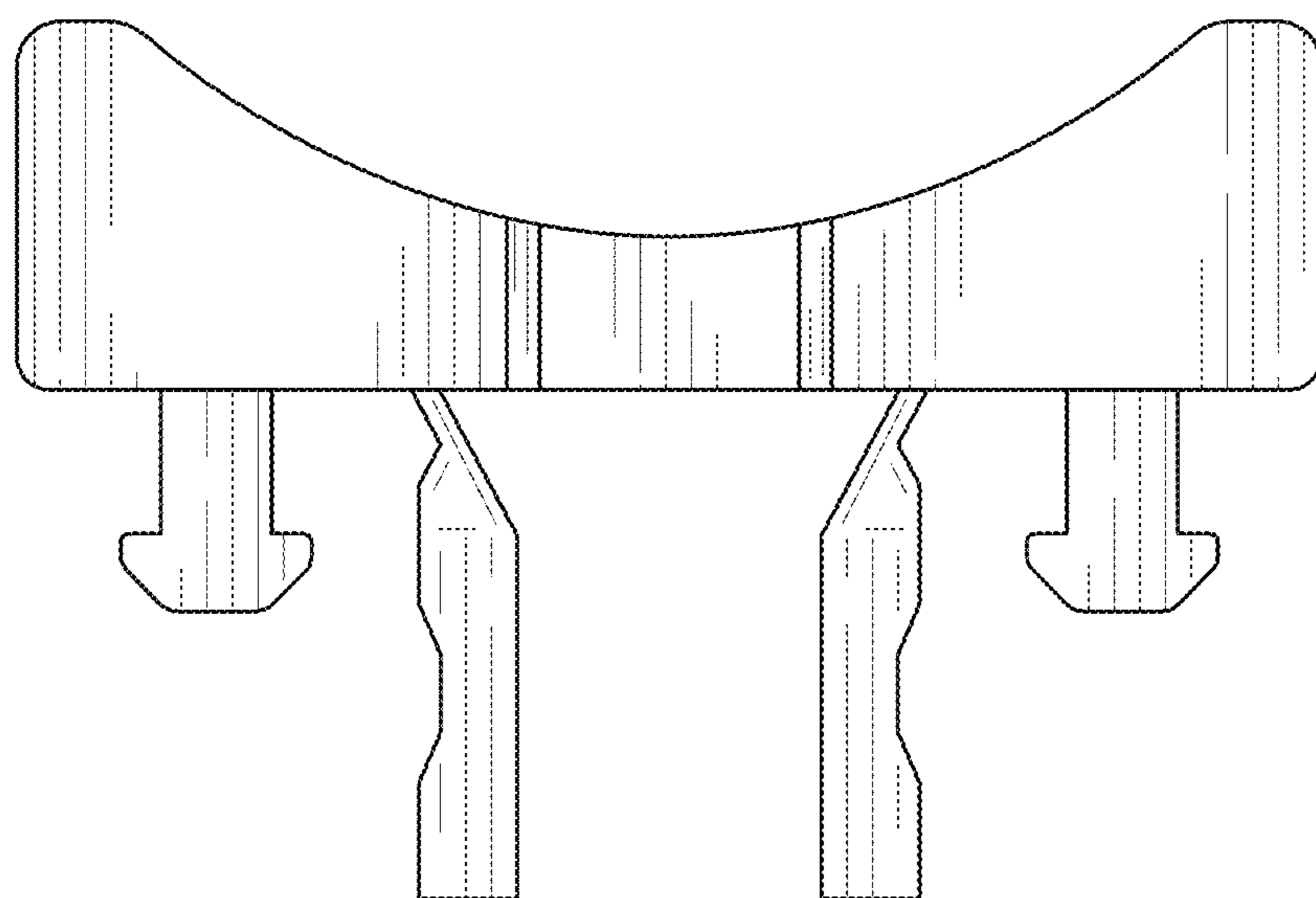


FIG. 4

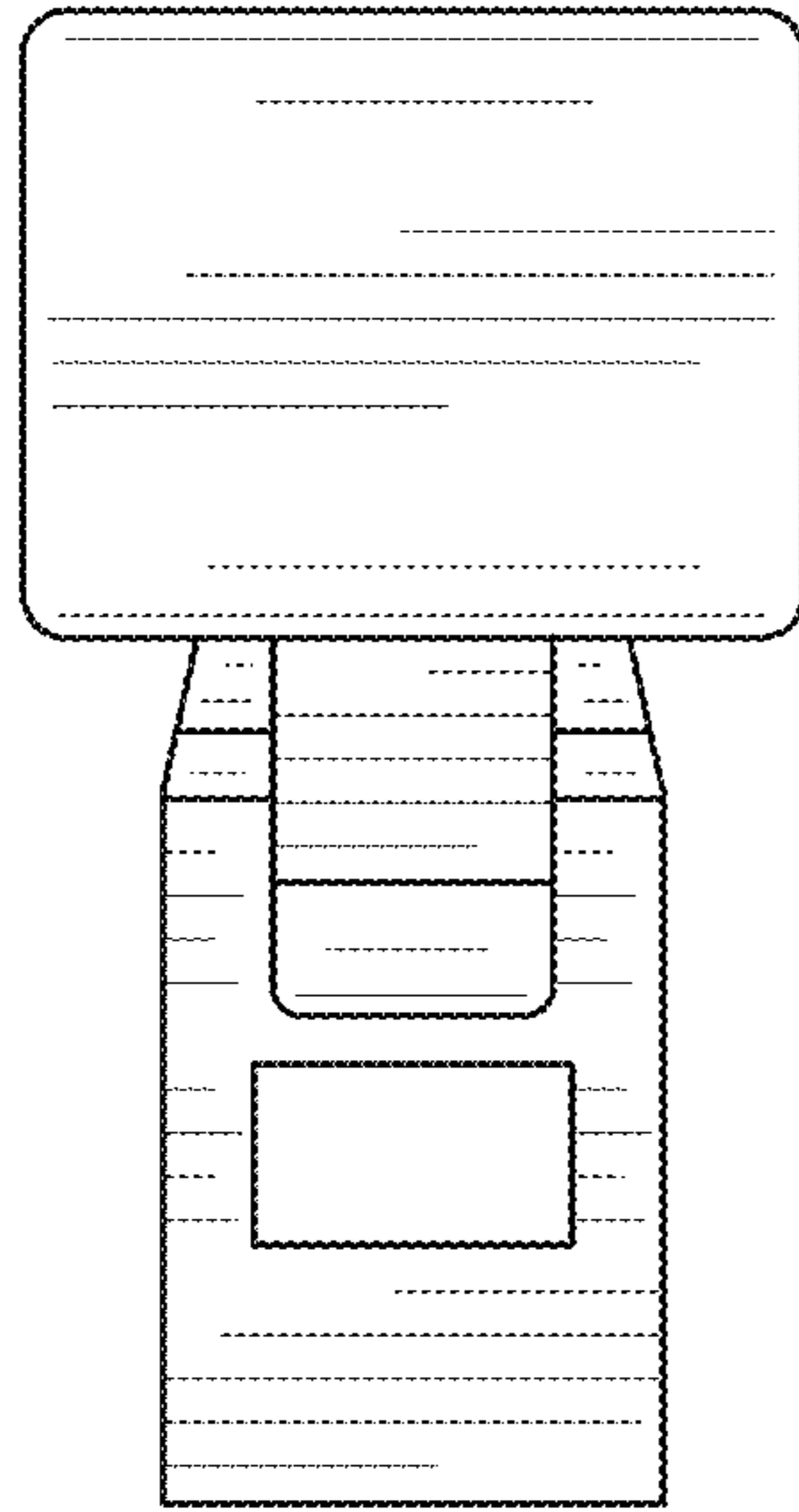


FIG. 5

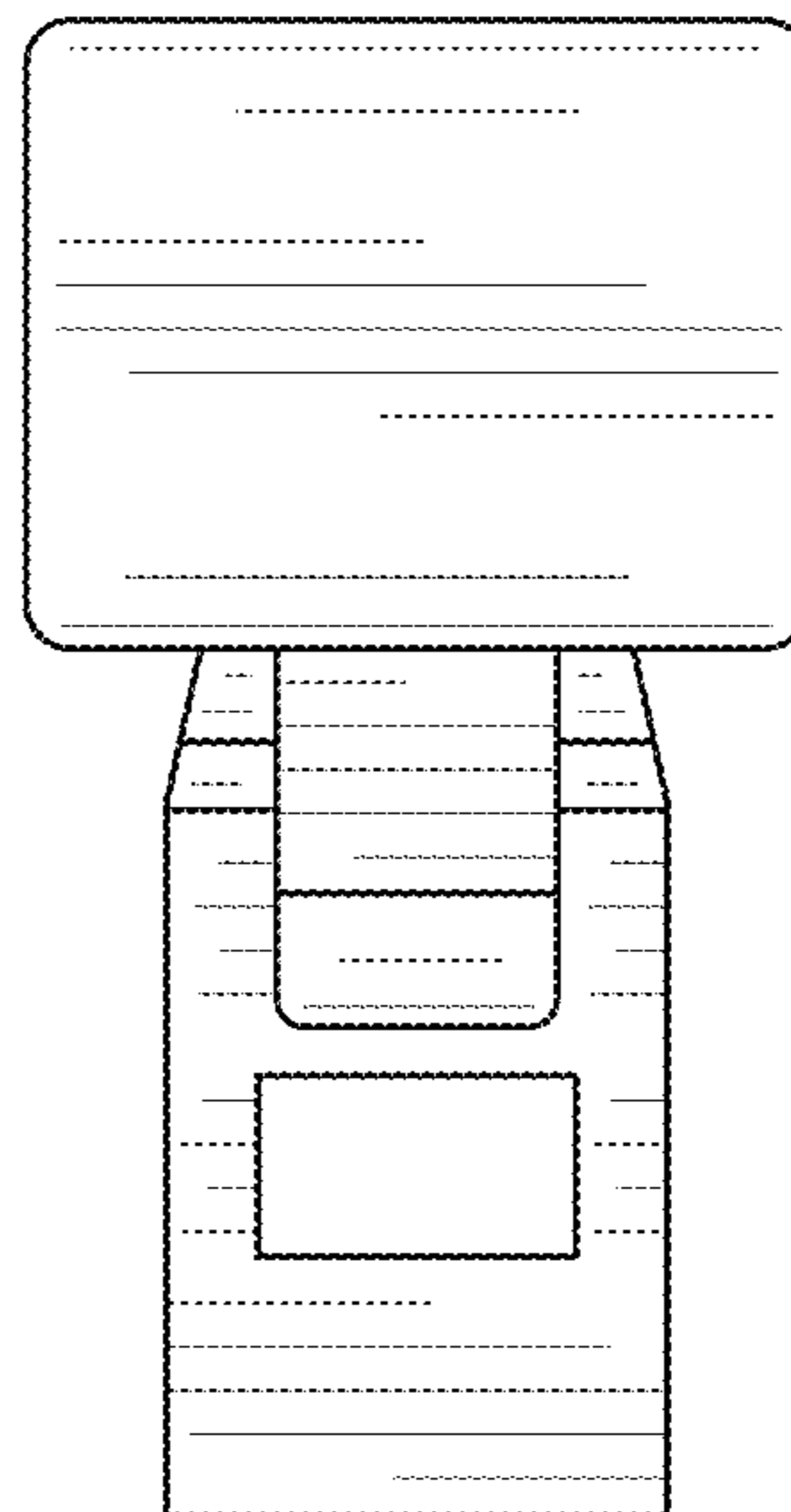


FIG. 6

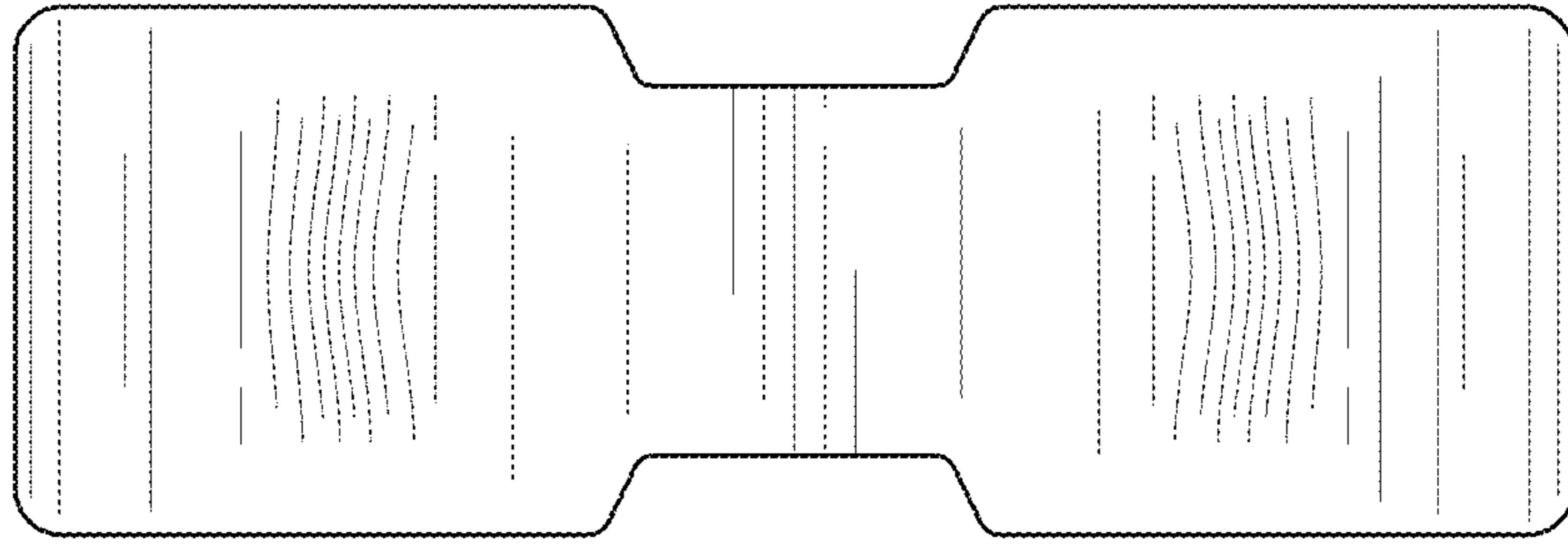


FIG. 7

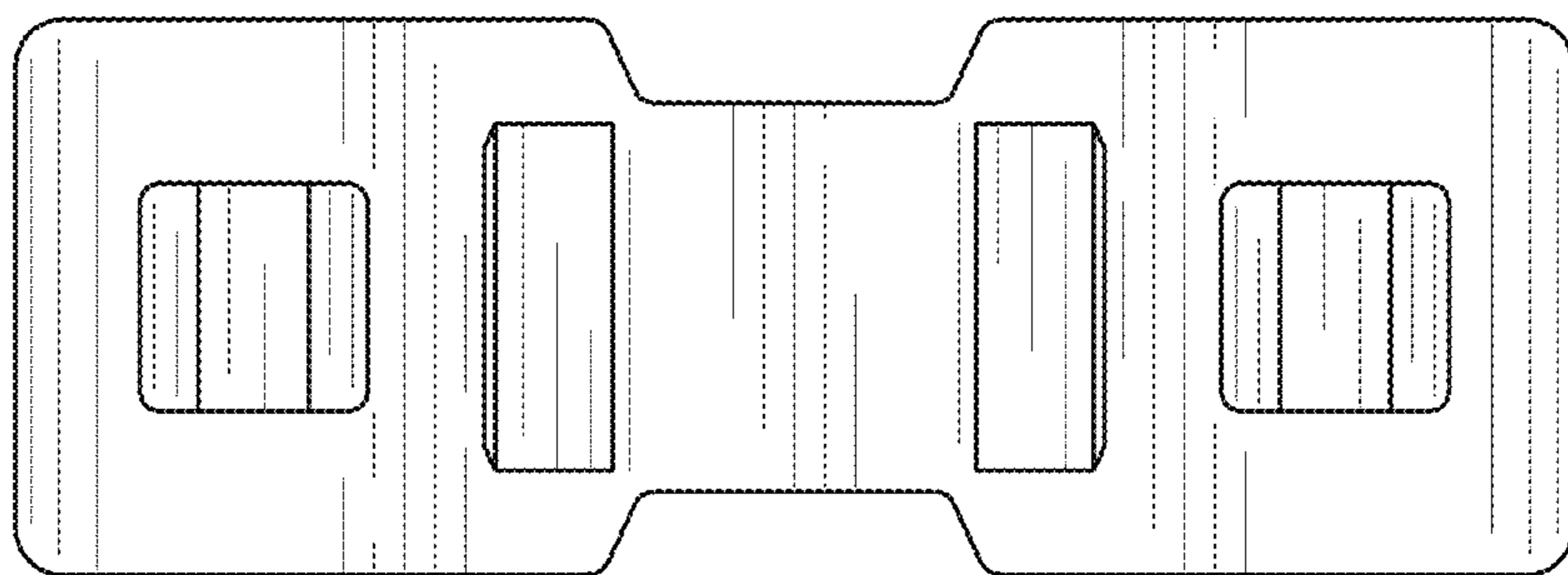


FIG. 8

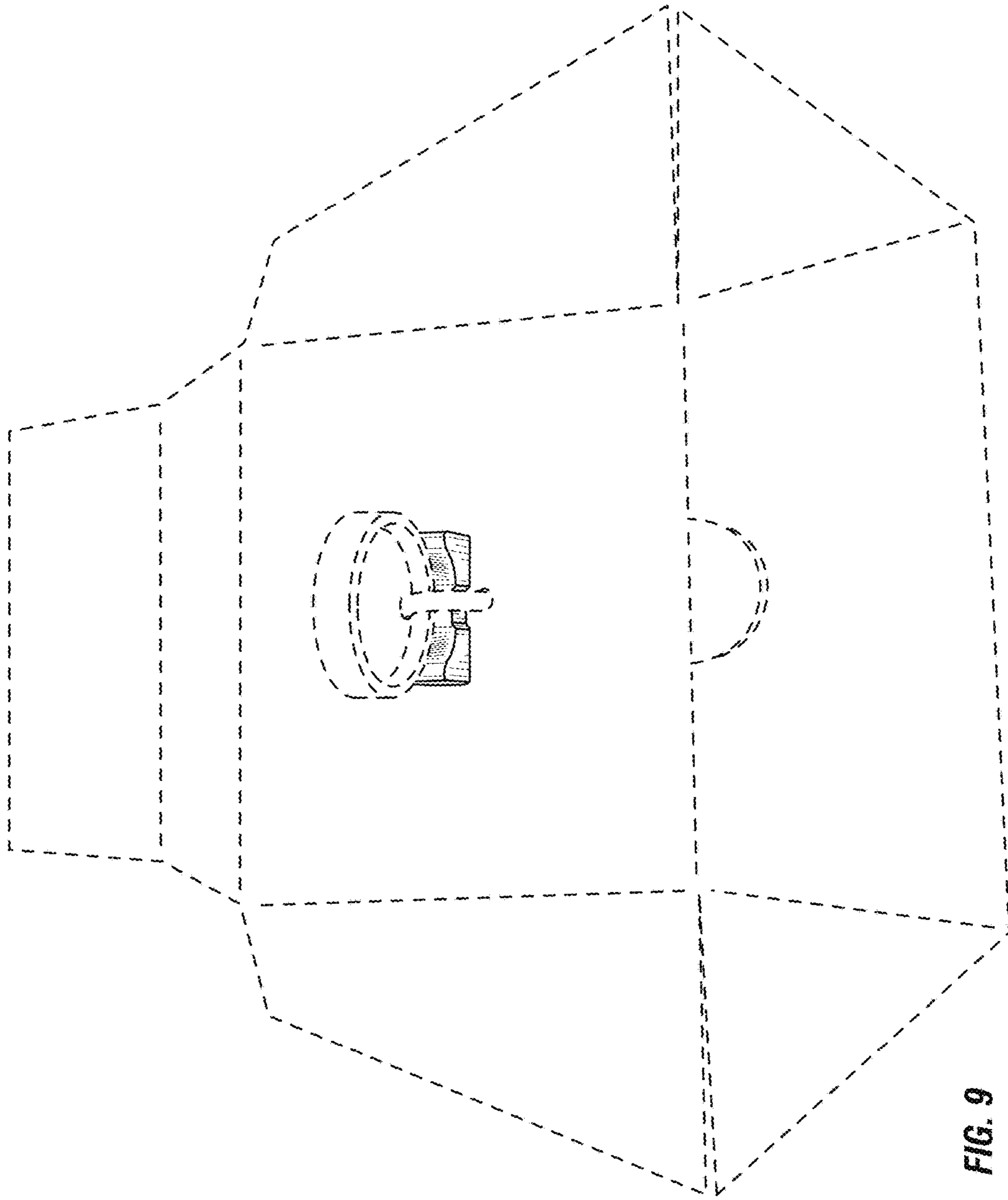


FIG. 9