



US00D809836S

(12) **United States Design Patent** (10) **Patent No.:** **US D809,836 S**
Bailey (45) **Date of Patent:** **** Feb. 13, 2018**

- (54) **PORTABLE ACCESSORY STAND**
- (71) Applicant: **Pecos Crafted, LLC**, Austin, TX (US)
- (72) Inventor: **Benjamin Allen Bailey**, Austin, TX (US)
- (73) Assignee: **Pecos Crafted, LLC**, Austin, TX (US)
- (**) Term: **15 Years**
- (21) Appl. No.: **29/584,521**
- (22) Filed: **Nov. 15, 2016**
- (51) **LOC (11) Cl.** **06-04**
- (52) **U.S. Cl.**
USPC **D6/681.2**
- (58) **Field of Classification Search**
USPC D6/672, 681, 681.1, 681.2, 682, 682.5
CPC A45F 3/44; A45F 2200/05; A45F 2200/0583; A47G 23/02; F16M 11/10
See application file for complete search history.

- D340,723 S * 10/1993 Halligan D14/252
- D394,300 S * 5/1998 Samuels D22/147
- 6,575,417 B1 * 6/2003 Krommenakker . A47G 23/0225
248/151
- D490,659 S * 6/2004 Gies D7/620
- D492,379 S * 6/2004 Miavitz D21/796
- 7,207,450 B1 * 4/2007 Franklin A45F 3/44
108/25
- D550,071 S * 9/2007 Powell D8/387
- D557,929 S * 12/2007 Loggins D6/682.2
- D574,670 S * 8/2008 Grady D6/681.2
- D604,977 S * 12/2009 Conville D6/552
- D605,901 S * 12/2009 Price D6/405
- D618,074 S * 6/2010 Paetsch D7/701
- D642,410 S * 8/2011 Vaults, Jr. D6/524

(Continued)

Primary Examiner — John Windmuller
Assistant Examiner — Steven Czyz
(74) *Attorney, Agent, or Firm* — DuBois, Bryant & Campbell; William D. Wiese

(57) **CLAIM**

The ornamental design for a portable accessory stand, as shown and described.

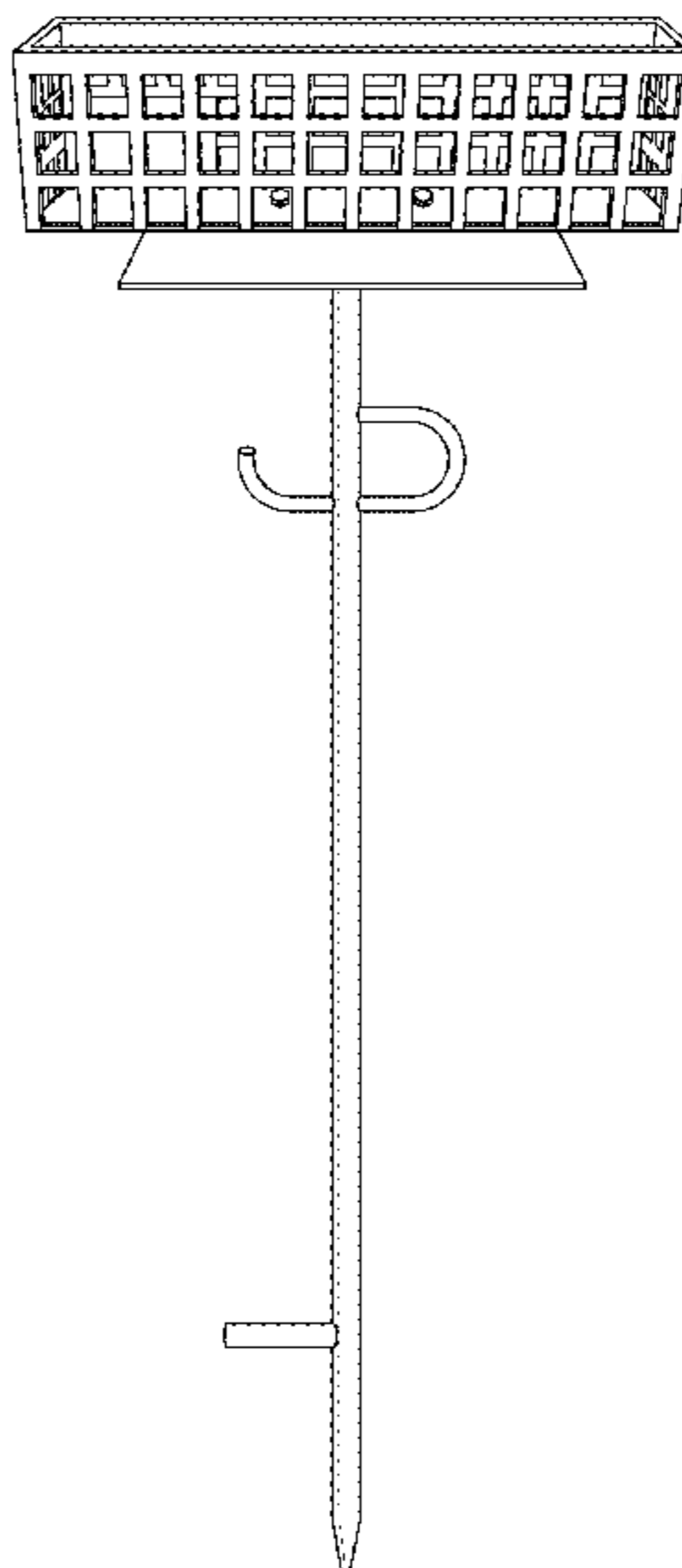
DESCRIPTION

FIG. 1 is a front perspective view of a portable accessory stand;
FIG. 2 is a top view of the portable accessory stand;
FIG. 3 is a right front perspective view of the portable accessory stand;
FIG. 4 is a left front perspective view of the portable accessory stand;
FIG. 5 is an upper back perspective view of the portable accessory stand, shown enlarged with the bottom portion broken away for ease of disclosure; and,
FIG. 6 is a lower back perspective view of the portable accessory stand, shown enlarged with the bottom portion broken away for ease of disclosure.

1 Claim, 6 Drawing Sheets

(56) **References Cited**
U.S. PATENT DOCUMENTS

- 2,937,761 A * 5/1960 Reed A47B 37/04
108/150
- 2,964,202 A * 12/1960 Gingher A47B 91/028
108/30
- D200,417 S * 2/1965 Miele et al. D3/259
- D222,720 S * 12/1971 Lapham et al. 294/143
- 4,094,255 A * 6/1978 Zaccaria A47B 13/023
108/150
- 4,094,257 A * 6/1978 Zaccaria A47B 97/08
108/115
- D261,703 S * 11/1981 Plummer 248/121
- D271,920 S * 12/1983 Sanker D6/681.1
- D290,793 S * 7/1987 Lukezich D6/681.2
- D299,805 S * 2/1989 Pifher D6/681.1
- 5,022,626 A * 6/1991 Nozel B60N 3/101
224/926
- D337,487 S * 7/1993 Ramsey D7/619.1



(56)

References Cited

U.S. PATENT DOCUMENTS

8,201,794 B1 * 6/2012 Pesola A45F 3/44
248/311.2
D662,746 S * 7/2012 Conville D6/552
D685,592 S * 7/2013 Wright, III D6/552
D691,860 S * 10/2013 Berio, Jr. D7/619.1
D698,573 S * 2/2014 Carter D6/524
D720,450 S * 12/2014 Glenn D24/128
D721,929 S * 2/2015 Lueker D7/701
D734,967 S * 7/2015 Lundy D6/681
9,357,829 B1 * 6/2016 Ikier A45F 3/44
2017/0135469 A1 * 5/2017 Kimmich A47B 46/005

* cited by examiner

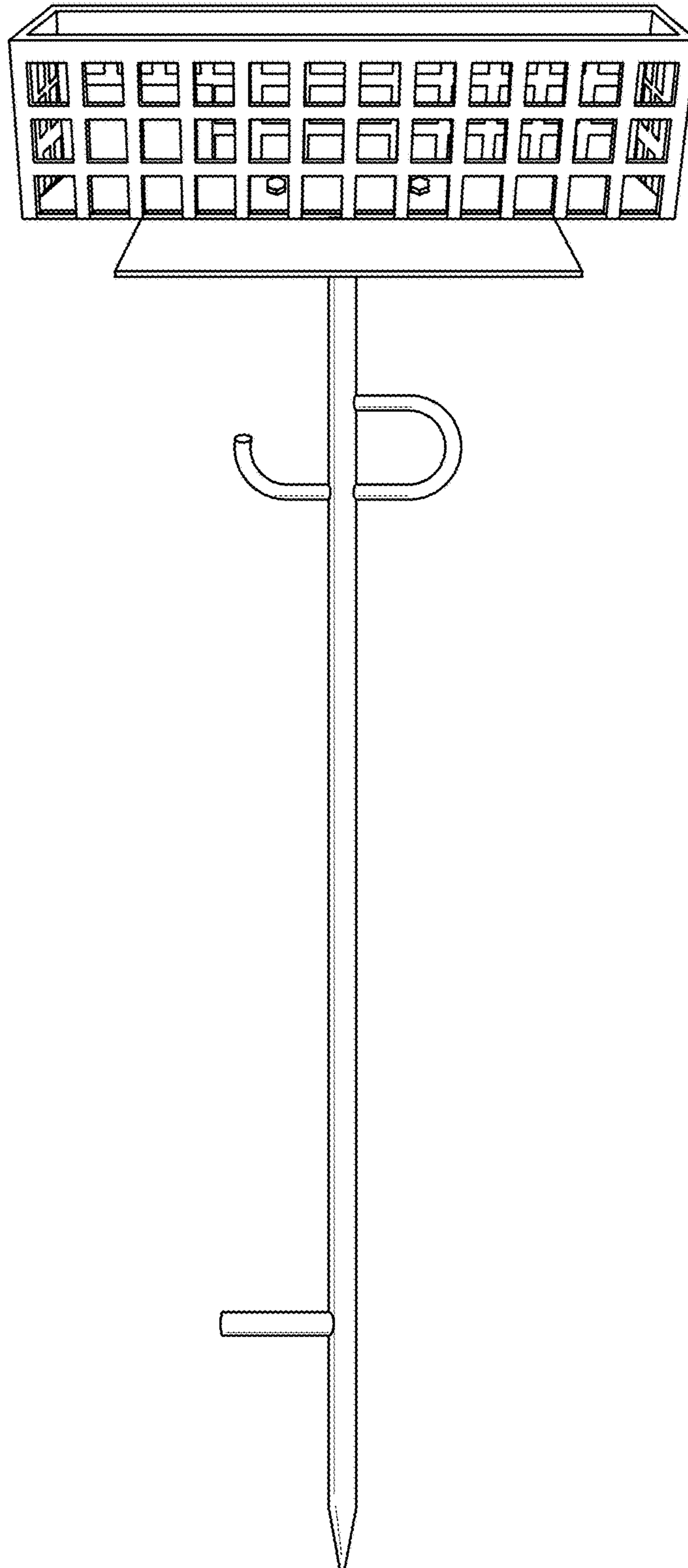


FIG. 1

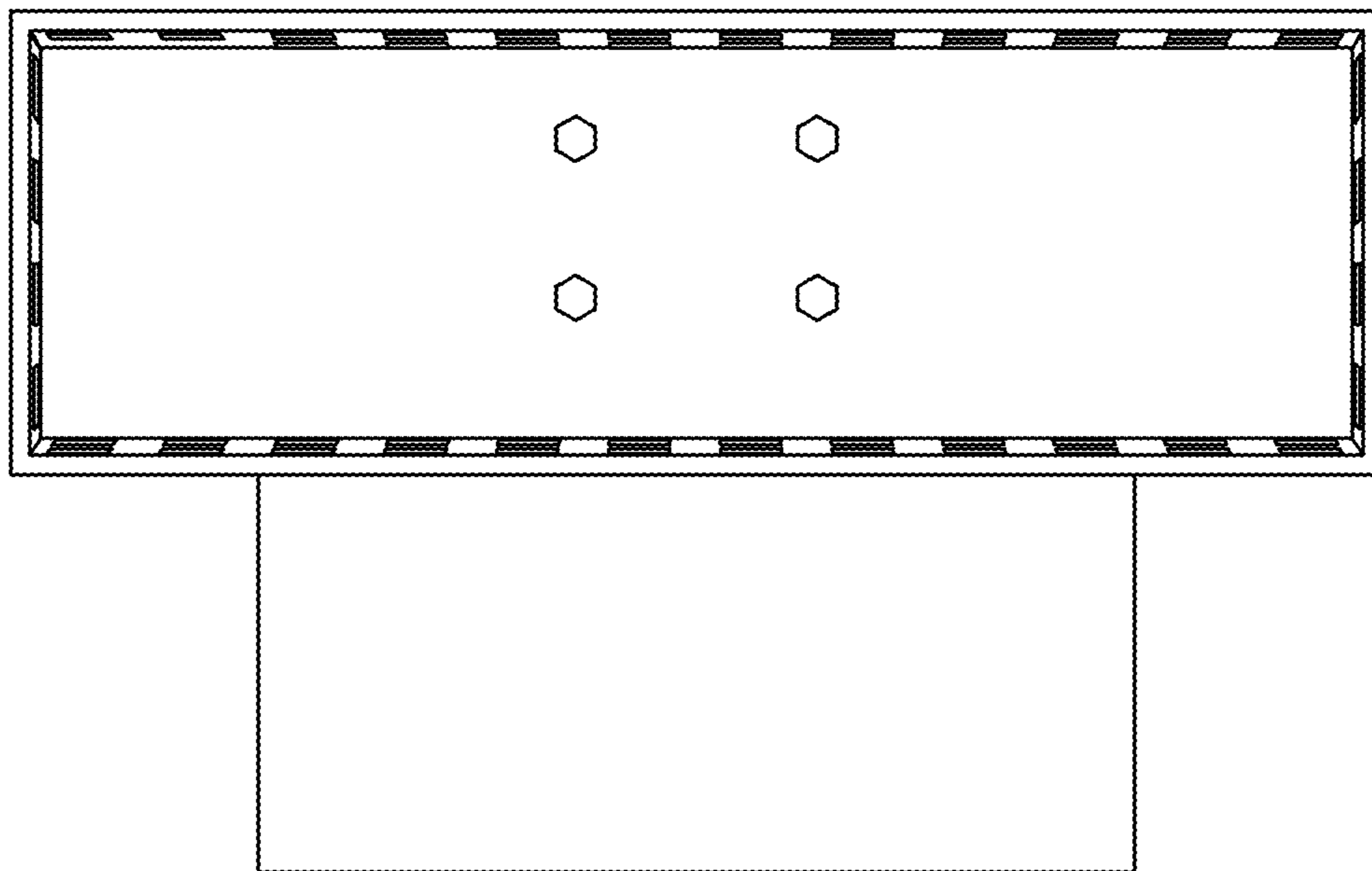


FIG. 2

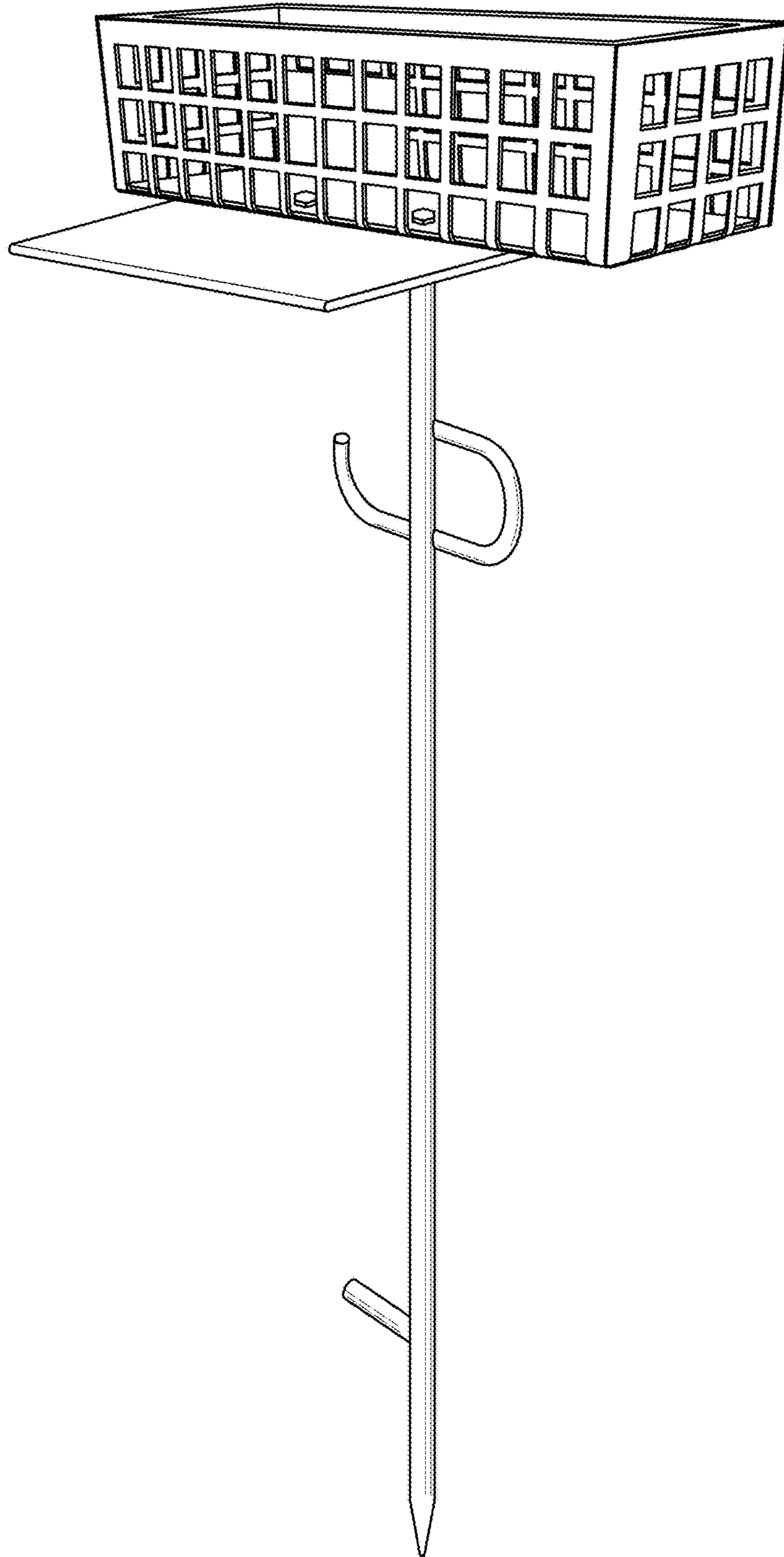


FIG. 3

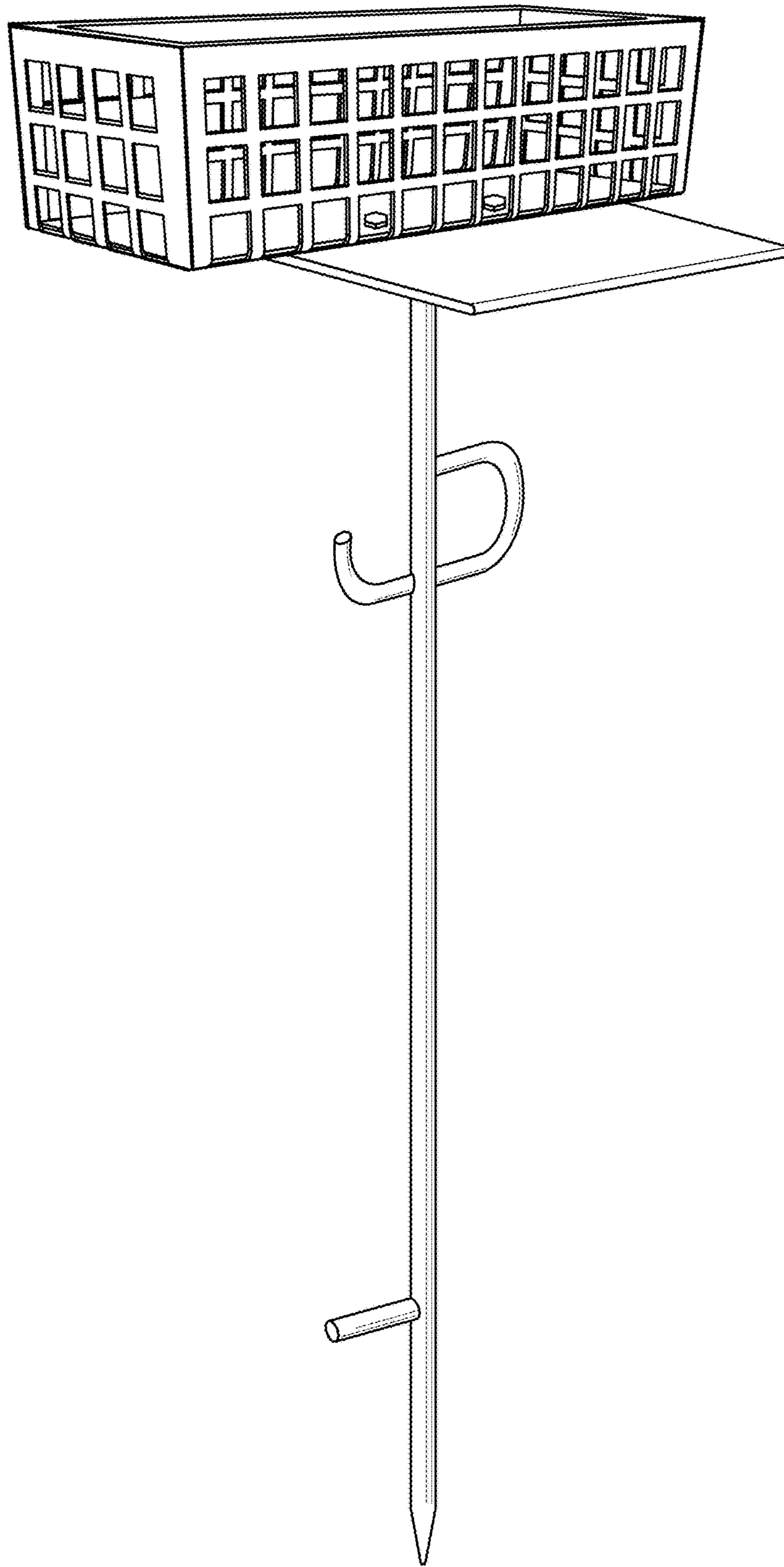


FIG. 4

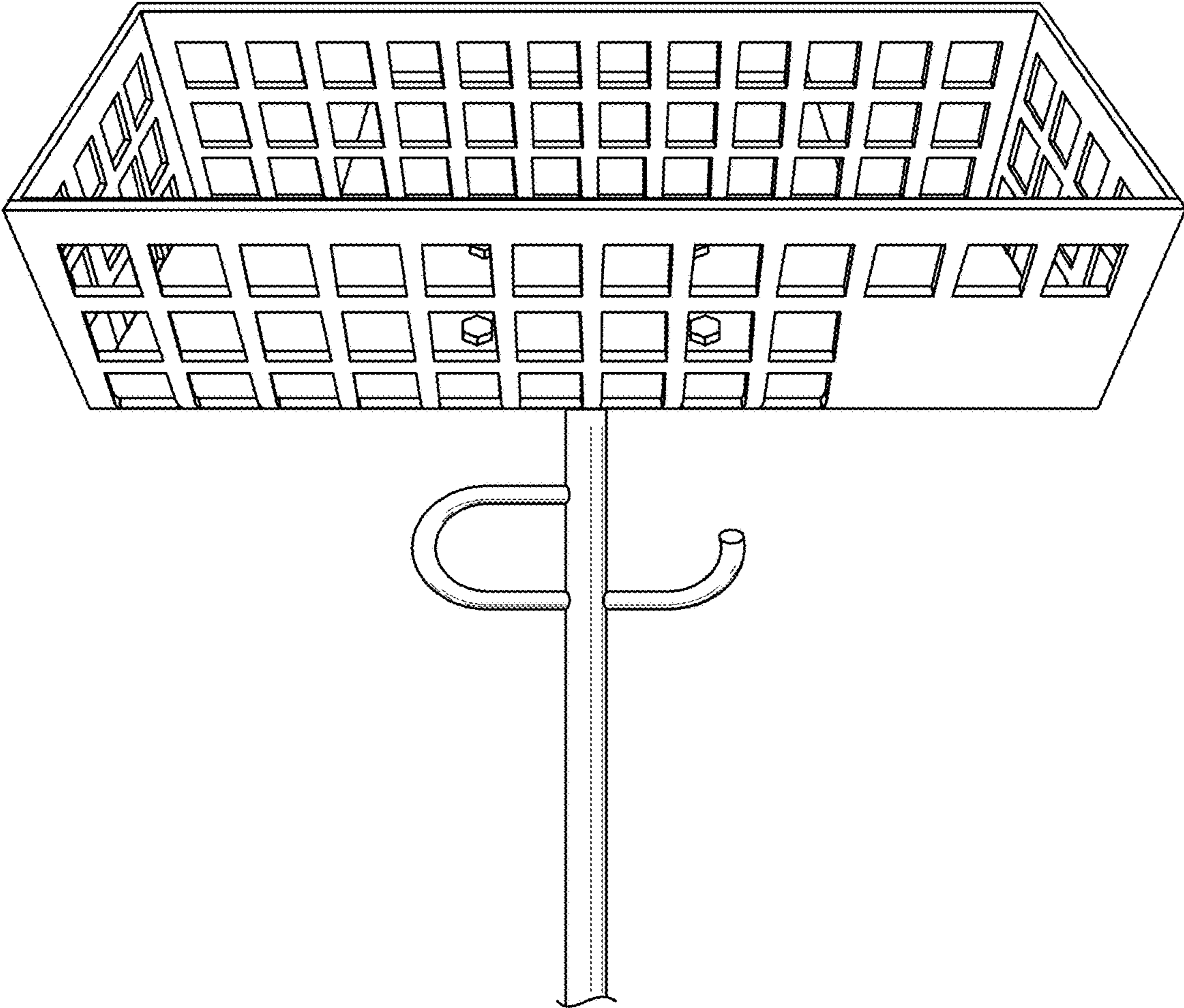


FIG. 5

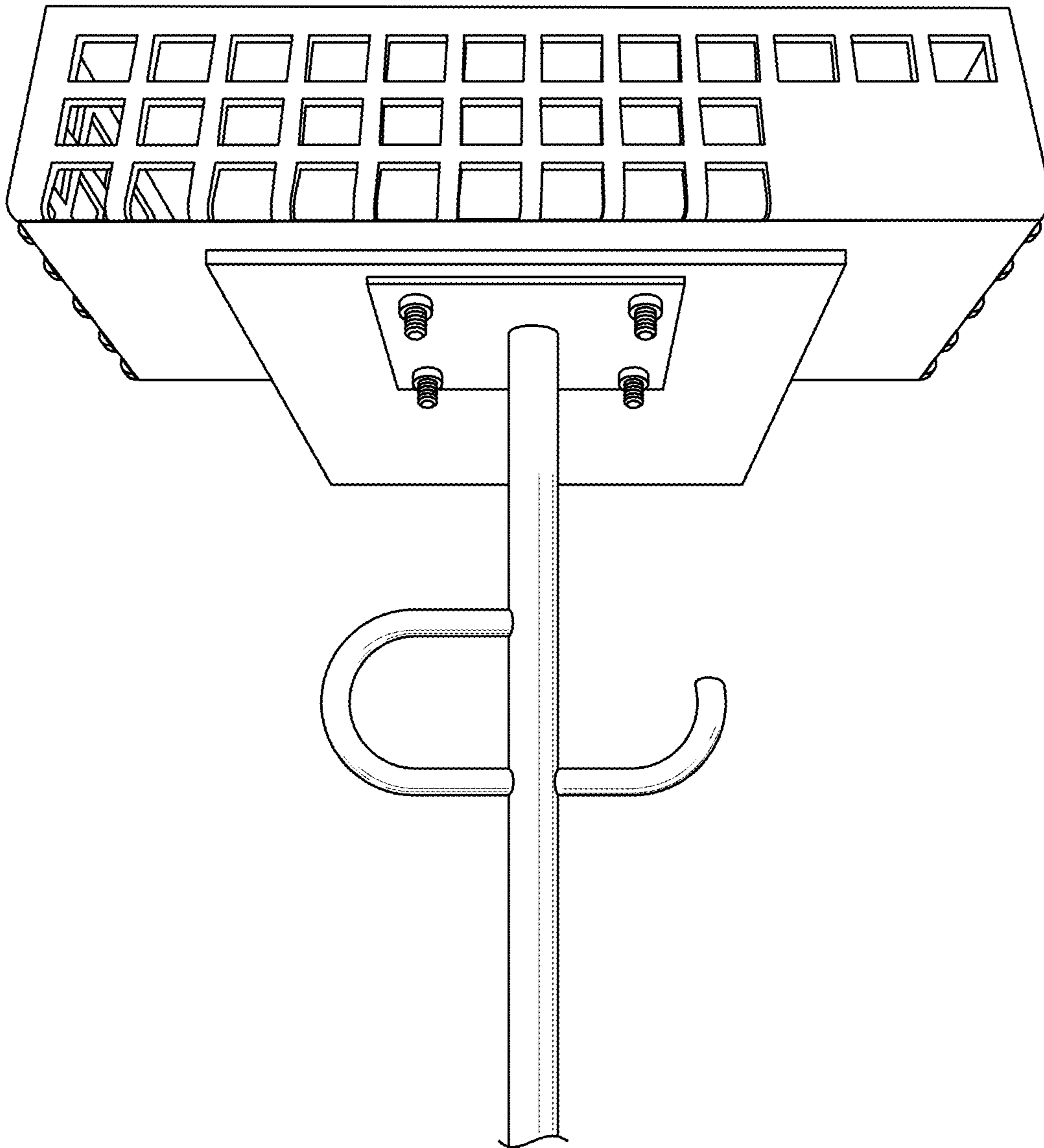


FIG. 6