



US00D809835S

(12) **United States Design Patent**  
**Greenspon et al.**

(10) **Patent No.:** **US D809,835 S**

(45) **Date of Patent:** **\*\* Feb. 13, 2018**

- (54) **GARMENT RACK**
- (71) Applicant: **Honey-Can-Do International, LLC**,  
Berkeley, IL (US)
- (72) Inventors: **Steven B. Greenspon**, Berkeley, IL  
(US); **Pamela S. Mical**, Berkeley, IL  
(US); **Slobodan S. Zivanovic**, Berkeley,  
IL (US)
- (73) Assignee: **Honey-Can-Do International, LLC**,  
Berkeley, IL (US)
- (\*\*) Term: **15 Years**
- (21) Appl. No.: **29/587,542**
- (22) Filed: **Dec. 14, 2016**
- (51) **LOC (11) Cl.** ..... **06-04**
- (52) **U.S. Cl.**  
USPC ..... **D6/681**
- (58) **Field of Classification Search**  
USPC ..... D6/681, 681.1, 672, 675.2, 675.5  
CPC ..... A47G 25/746; A47G 25/0664; A47F 7/24;  
B62B 3/02; A47B 61/00; A47B 57/402;  
F16B 12/40  
See application file for complete search history.

- 3,197,035 A \* 7/1965 Wolf ..... A47G 25/0664  
211/204
  - 3,303,938 A \* 2/1967 Solomon ..... A47F 7/24  
211/182
  - 3,395,811 A \* 8/1968 Bellock ..... A47G 25/0664  
211/182
  - D212,482 S \* 10/1968 Lum et al. .... D6/681
  - 3,705,731 A \* 12/1972 Berchak ..... B62B 3/02  
280/43
  - 3,722,702 A \* 3/1973 Marker, Jr. .... A47F 5/13  
108/115
  - 3,831,768 A \* 8/1974 Keller ..... A47F 7/24  
108/12
  - 3,918,591 A \* 11/1975 Cooper ..... A47F 5/108  
211/204
  - D272,954 S \* 3/1984 Sparks ..... D34/21
- (Continued)

*Primary Examiner* — John Windmuller  
*Assistant Examiner* — Steven Czyz  
 (74) *Attorney, Agent, or Firm* — Adam K. Sacharoff;  
 Much Shelist, P.C.

(57) **CLAIM**

The ornamental design for a garment rack, as shown and described.

**DESCRIPTION**

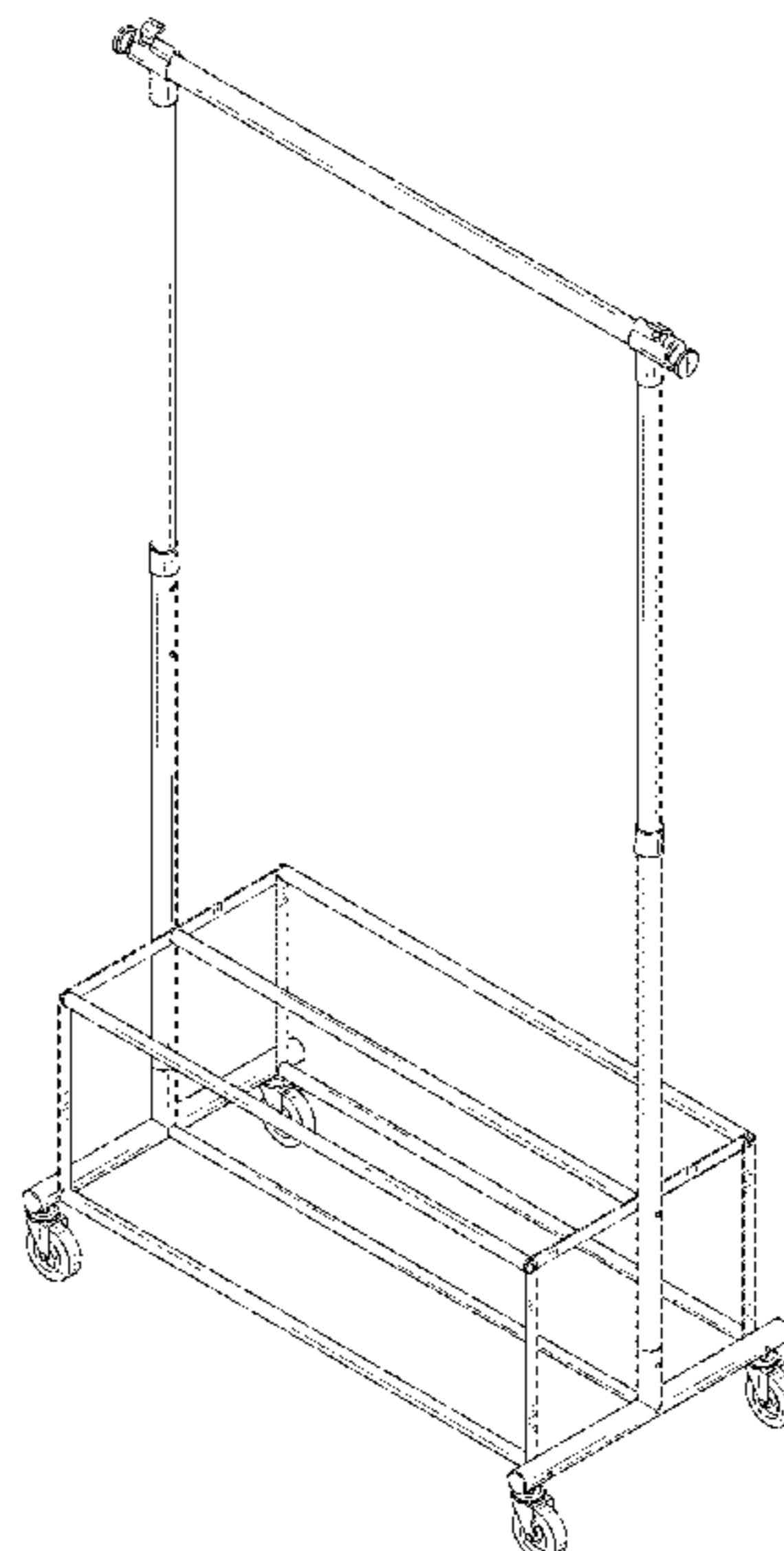
FIG. 1 is a front perspective view of a garment rack, showing our new design;  
 FIG. 2 is a front perspective view thereof, illustrated in a full extension position;  
 FIG. 3 is a front perspective view thereof, illustrated in a partial extension position;  
 FIG. 4 is a front elevation view thereof;  
 FIG. 5 is a back elevation view thereof;  
 FIG. 6 is a left side view thereof;  
 FIG. 7 is a right side view thereof;  
 FIG. 8 is a top plan view thereof; and,  
 FIG. 9 is a bottom plan view thereof.

**1 Claim, 7 Drawing Sheets**

(56) **References Cited**

U.S. PATENT DOCUMENTS

- 1,661,667 A \* 3/1928 Mallach ..... A47F 7/24  
135/144
- D130,305 S \* 11/1941 Bersin et al. .... D6/681.1
- D130,632 S \* 12/1941 Millberg et al. .... D6/681.1
- D131,907 S \* 4/1942 Sarvis et al. .... D6/681
- D149,816 S \* 6/1948 Ivelow et al. .... 248/175
- 2,798,618 A \* 7/1957 Singer ..... A47G 25/0664  
211/204
- 2,893,568 A \* 7/1959 Scholz ..... A47F 5/13  
211/204
- 2,896,789 A \* 7/1959 Sans ..... A47G 25/0664  
108/28



(56)

References Cited

U.S. PATENT DOCUMENTS

D289,243 S *	4/1987	Arnold	.....	D6/709	D495,523 S *	9/2004	Harwanko	.....	D6/681.1
D289,585 S *	5/1987	Lord	.....	D6/672	D495,524 S *	9/2004	Harwanko	.....	D6/681.1
5,090,725 A *	2/1992	Feldner	.....	B62B 3/02	7,077,277 B2 *	7/2006	Wang	.....	A47B 91/02
				211/189					182/186.7
D364,516 S *	11/1995	Helenowski	.....	D6/681.1	D537,266 S *	2/2007	Ward	.....	D6/681.1
5,718,344 A *	2/1998	Joldeson	.....	A47F 5/13	D602,713 S *	10/2009	Stukenberg	.....	D6/681.1
				211/182	D603,188 S *	11/2009	Wang	.....	D6/675.5
D424,320 S *	5/2000	Klein	.....	D6/681.1	D613,965 S *	4/2010	Tertel	.....	D6/675.5
D450,948 S *	11/2001	Stafford	.....	D6/681.1	D736,548 S *	8/2015	Hornsby	.....	D6/681.1
D456,167 S *	4/2002	Harwanko	.....	D6/548	D749,879 S *	2/2016	Wall	.....	D6/680.3
D466,331 S *	12/2002	Chang	.....	D6/681.1	D750,401 S *	3/2016	Ruiz	.....	D6/681
D470,685 S *	2/2003	Chang	.....	D6/681.1	D753,940 S *	4/2016	Ruiz	.....	D6/681
D474,350 S *	5/2003	Sardis	.....	D6/681.1	D777,483 S *	1/2017	Bittle	.....	D6/681
D487,124 S *	2/2004	Toniolo	.....	D21/691	D785,381 S *	5/2017	Johnson	.....	D6/681
D491,742 S *	6/2004	Harwanko	.....	D6/681.1	2007/0272642 A1 *	11/2007	Baptiste	.....	A47B 43/00
6,745,909 B1 *	6/2004	Lai	.....	A47G 25/0664					211/201
				211/204	2012/0074082 A1 *	3/2012	Hornsby	.....	A47G 25/0685
									211/85.3
					2015/0008201 A1 *	1/2015	Qiang	.....	A47F 7/24
									211/85.3

\* cited by examiner

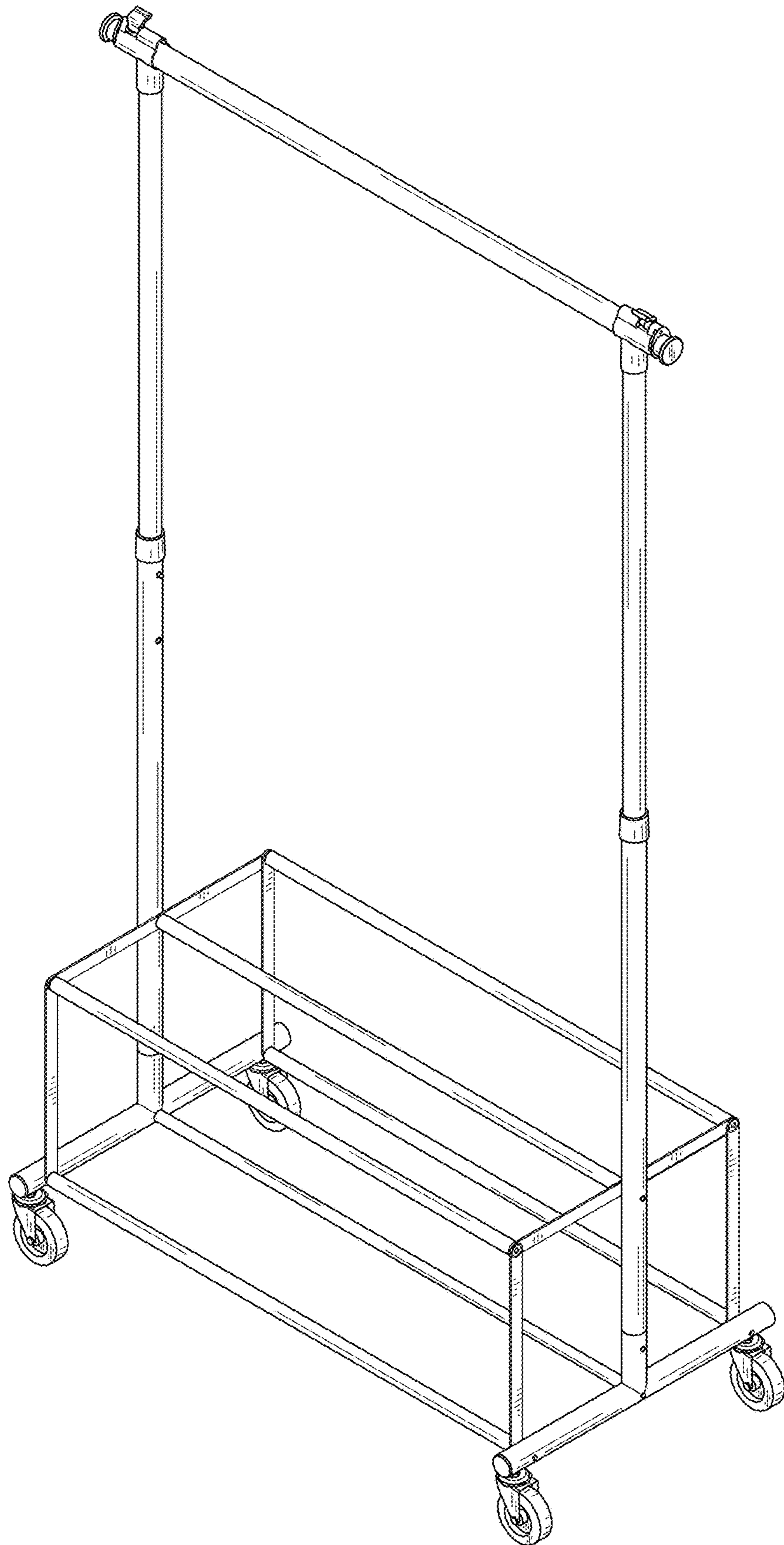


FIG. 1

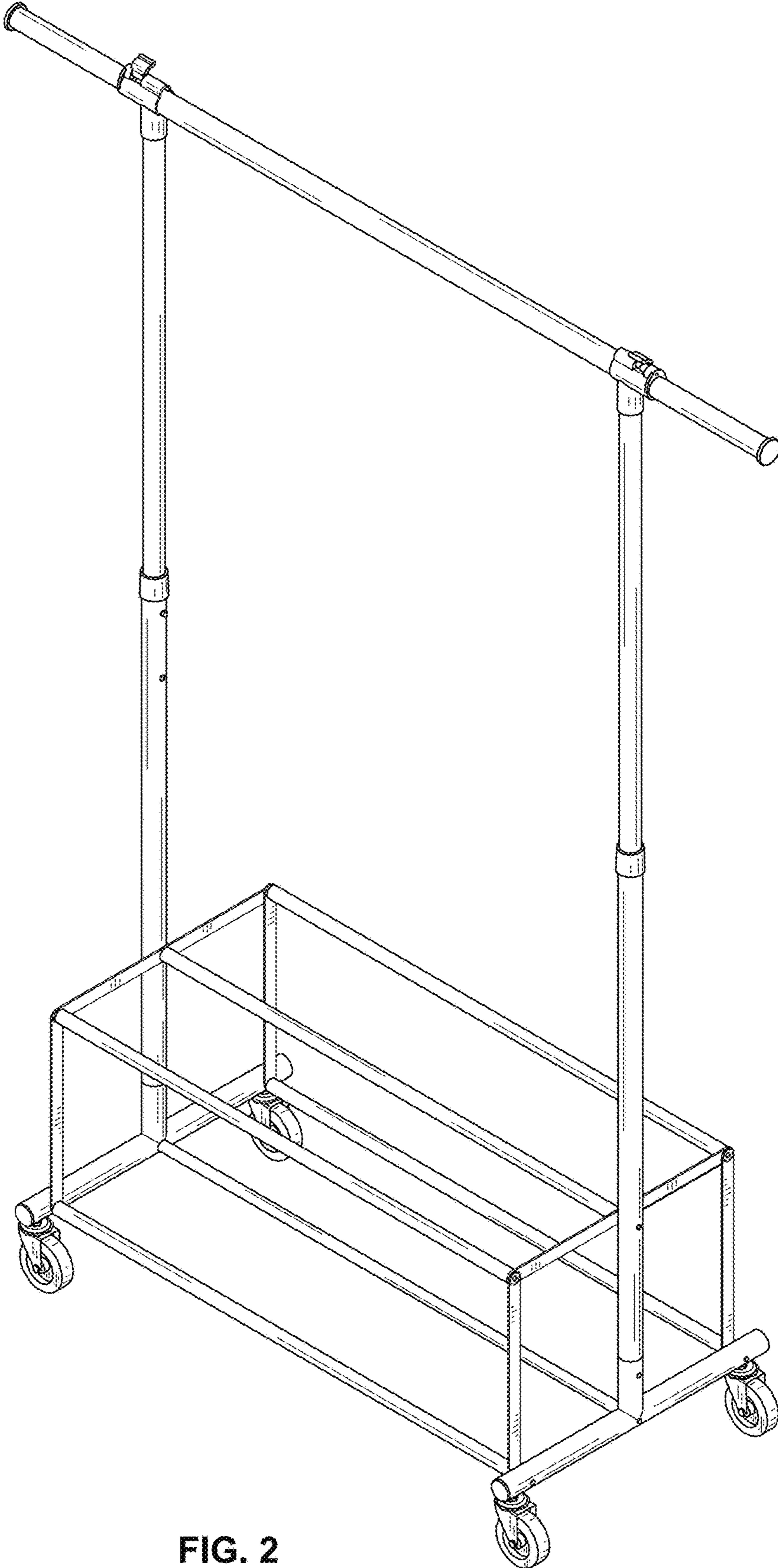


FIG. 2

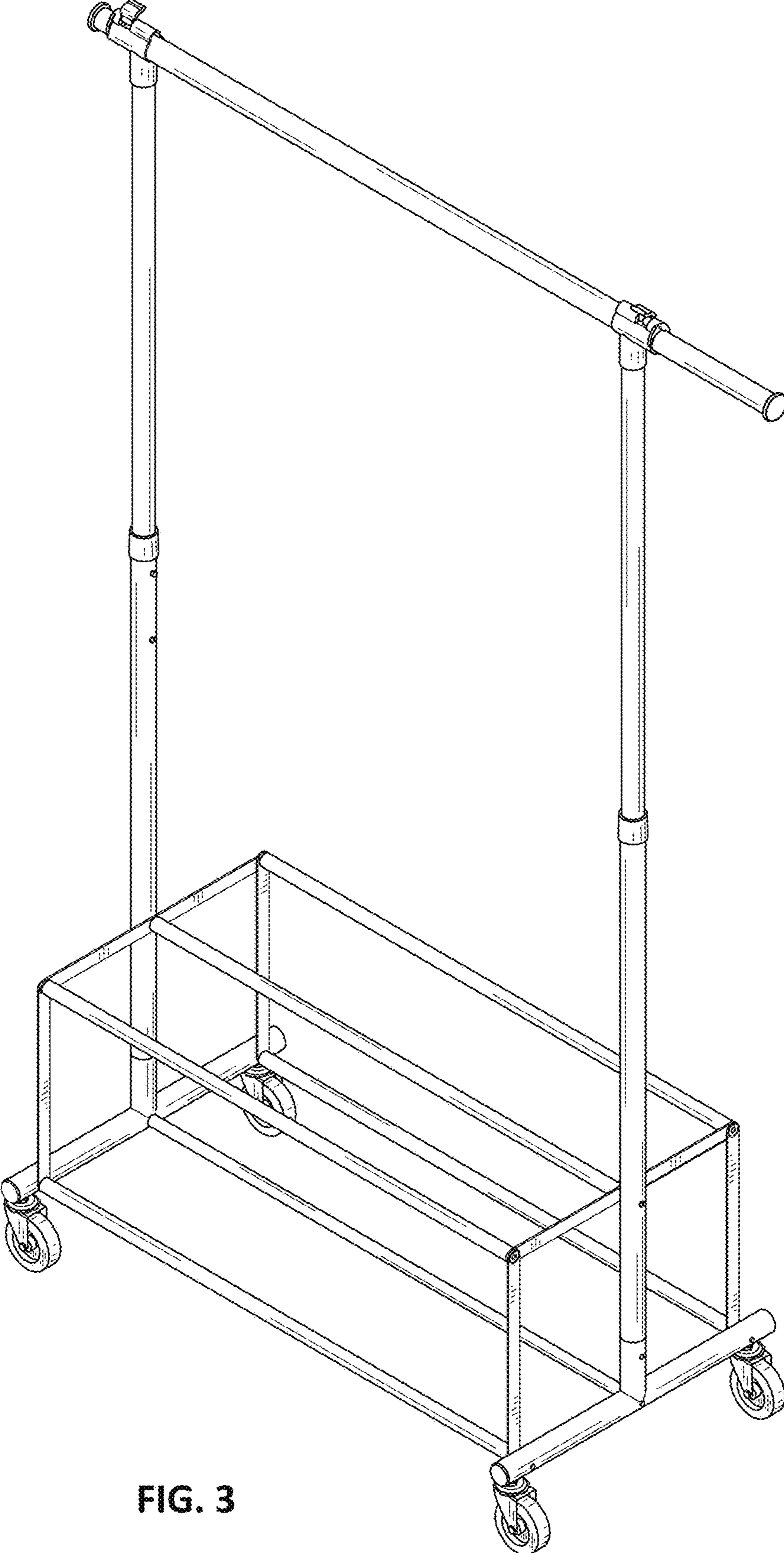


FIG. 3

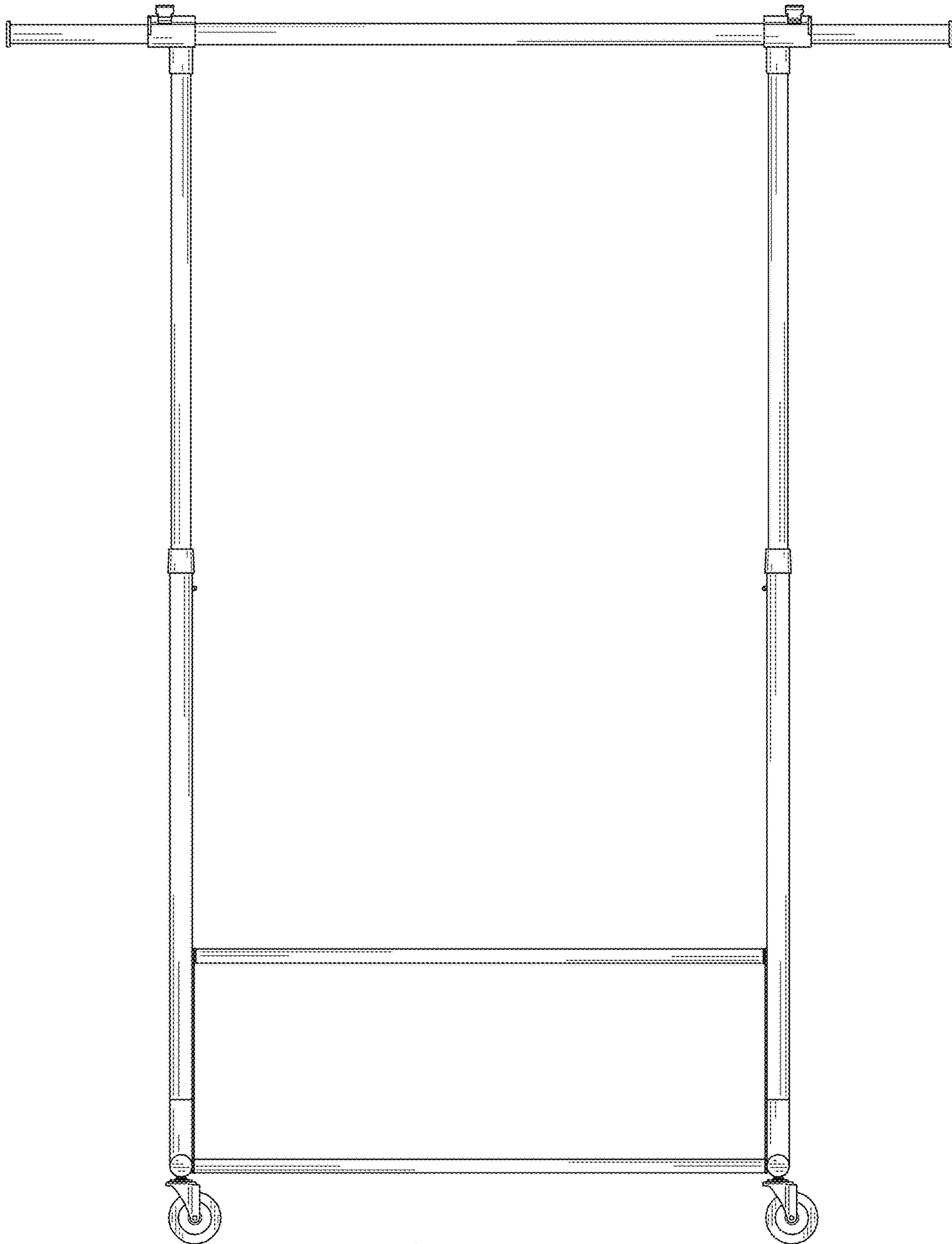


FIG. 4

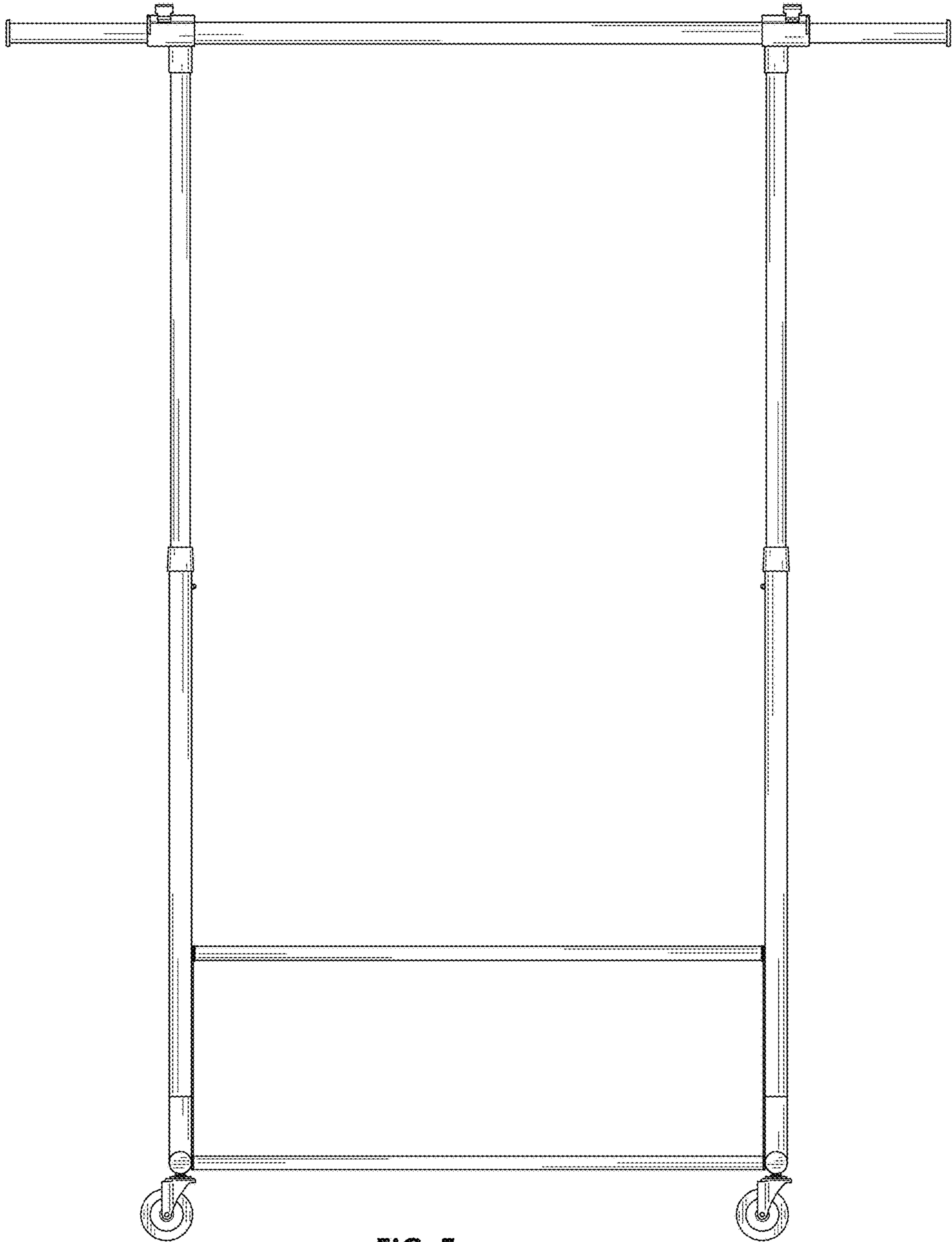


FIG. 5

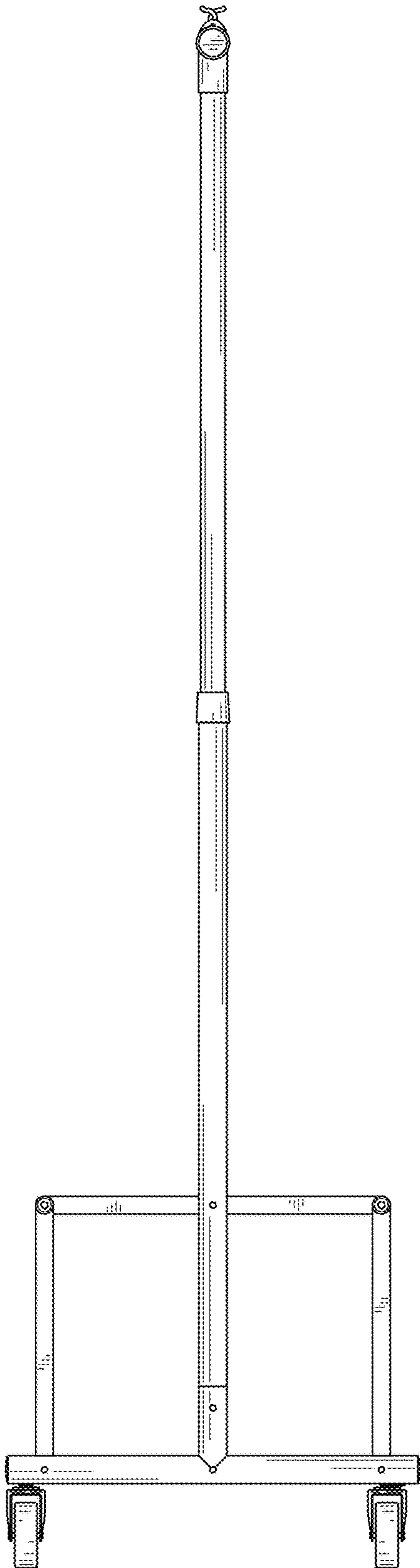


FIG. 6

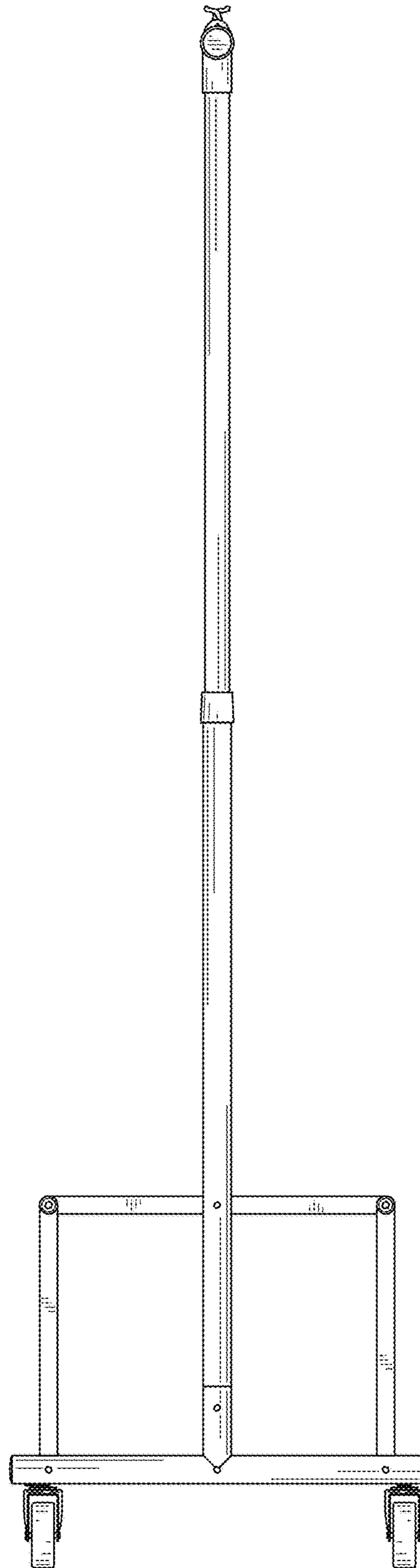


FIG. 7



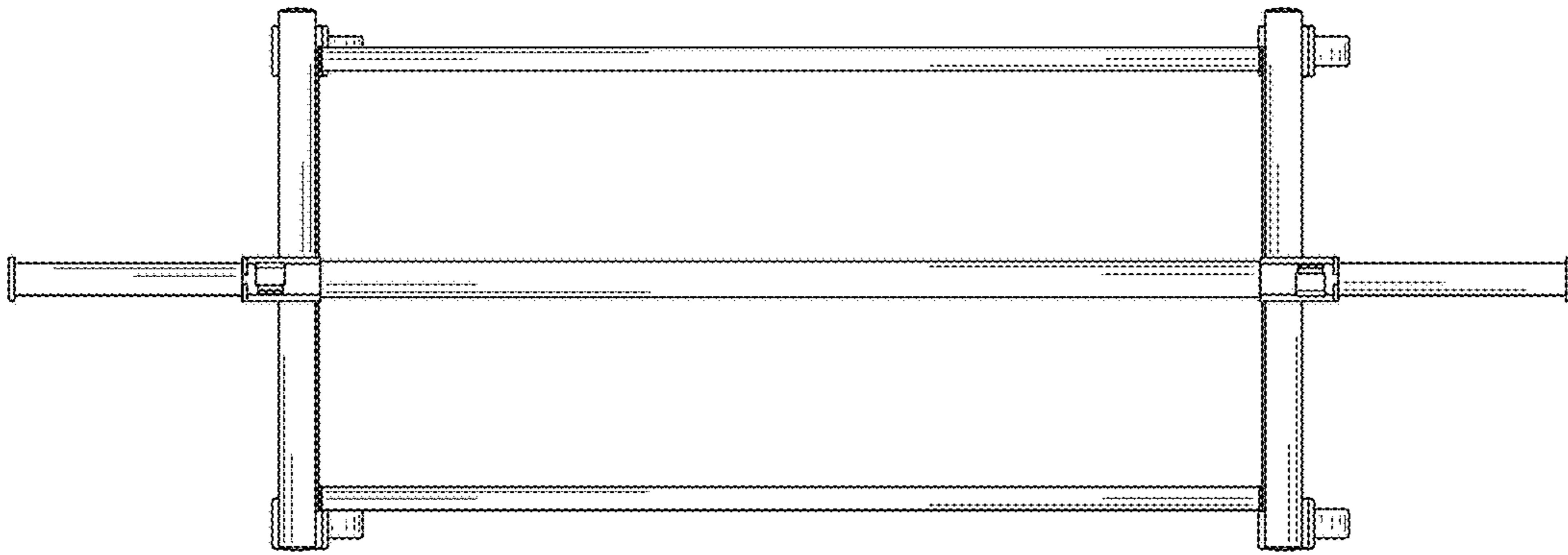


FIG. 8

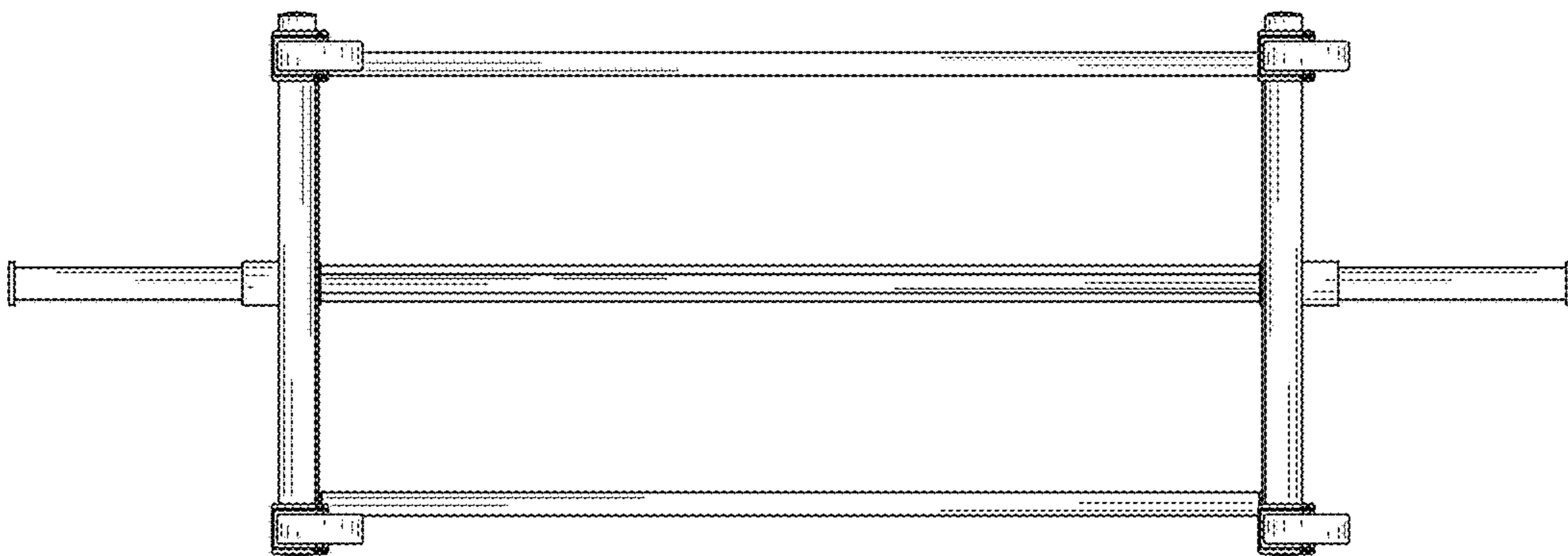


FIG. 9