



US00D809834S

(12) **United States Design Patent**
Domenech Grau

(10) **Patent No.:** **US D809,834 S**

(45) **Date of Patent:** **** Feb. 13, 2018**

(54) **SELF-SERVICE STATION**

(71) Applicant: **Miguel Pujadas, S.A.**, Santa Coloma de Farners, Girona (ES)

(72) Inventor: **Daniel Domenech Grau**, Girona (ES)

(73) Assignee: **VOLLRATH PAJADAS, S.A.**, Girona (ES)

(**) Term: **15 Years**

(21) Appl. No.: **29/505,771**

(22) Filed: **Feb. 1, 2016**

(51) **LOC (11) Cl.** **06-01**

(52) **U.S. Cl.**
USPC **D6/675.3; D7/701**

(58) **Field of Classification Search**
USPC D6/672, 673, 675, 675.1, 675.3;
D7/601-602
CPC A47F 5/10; A47F 5/12; A47F 10/02; A47F
10/04; A47F 10/06; A47F 5/0018
See application file for complete search history.

(56) **References Cited**

U.S. PATENT DOCUMENTS

D247,145 S * 2/1978 Hero D6/384
D704,943 S * 5/2014 Saba D6/349

D764,843 S * 8/2016 Peden D6/675.3
D768,418 S * 10/2016 Sock D6/690
D780,895 S * 3/2017 Stauss D23/271
D781,081 S * 3/2017 Domenech Grau D6/675.3
D781,082 S * 3/2017 Domenech Grau D6/675.3
D787,246 S * 5/2017 Price D6/699
D790,884 S * 7/2017 Schonherr D6/664

* cited by examiner

Primary Examiner — Kelley Donnelly

(74) *Attorney, Agent, or Firm* — Robert J Hess; Hess Patent Law Firm

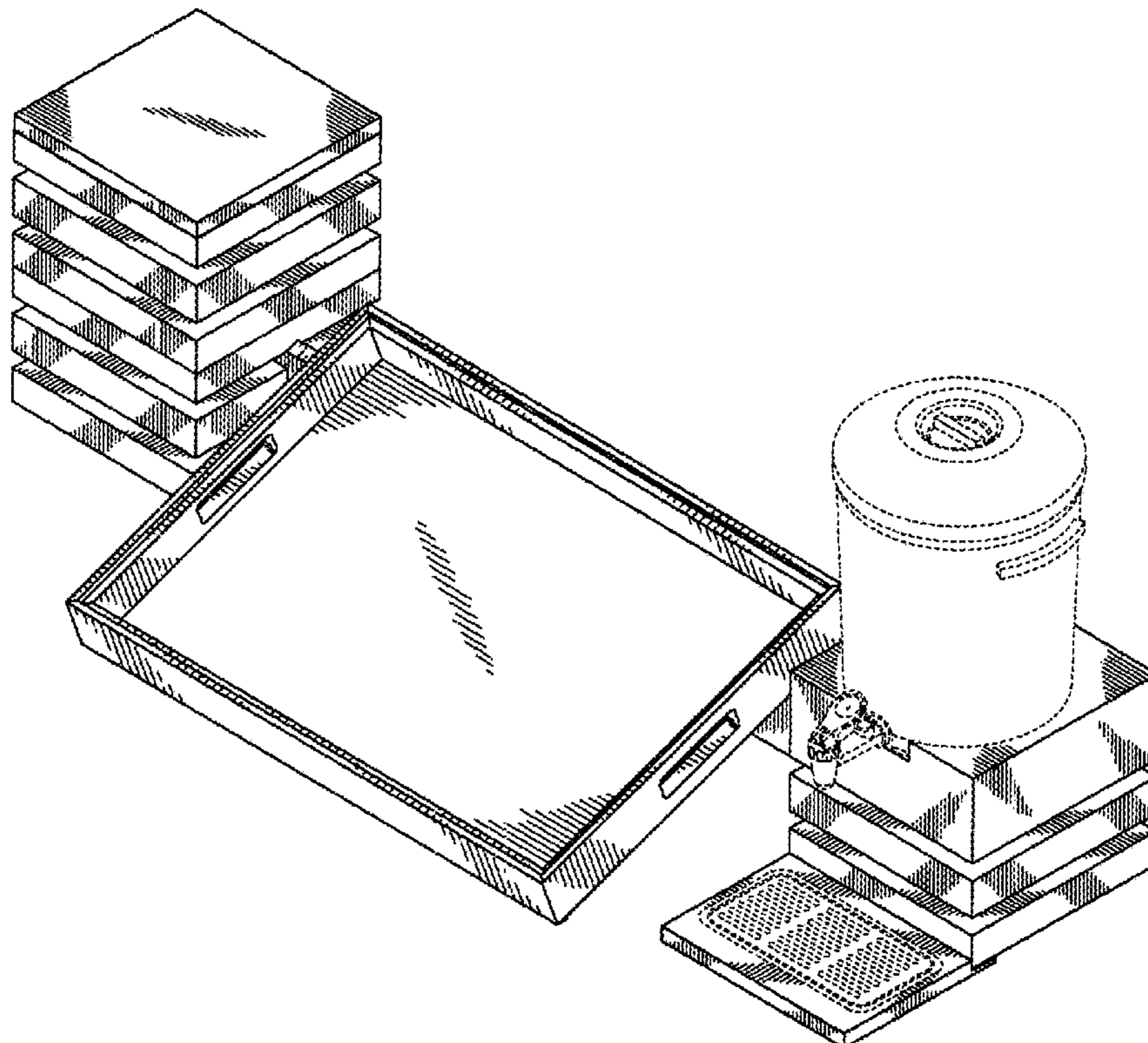
(57) **CLAIM**

We claim an ornamental design for a self-service station, as shown and described.

DESCRIPTION

FIG. 1 is an isometric view of a self-service station in accordance with our invention;
FIG. 2 is a front plan view thereof;
FIG. 3 is a top plan view thereof;
FIG. 4 is a rear plan view thereof;
FIG. 5 is a bottom plan view thereof;
FIG. 6 is a right side plan view thereof; and,
FIG. 7 is a left side plan view thereof.
The broken lines showing is included for the purpose of illustrating environment and forms no part of the claimed design.

1 Claim, 6 Drawing Sheets



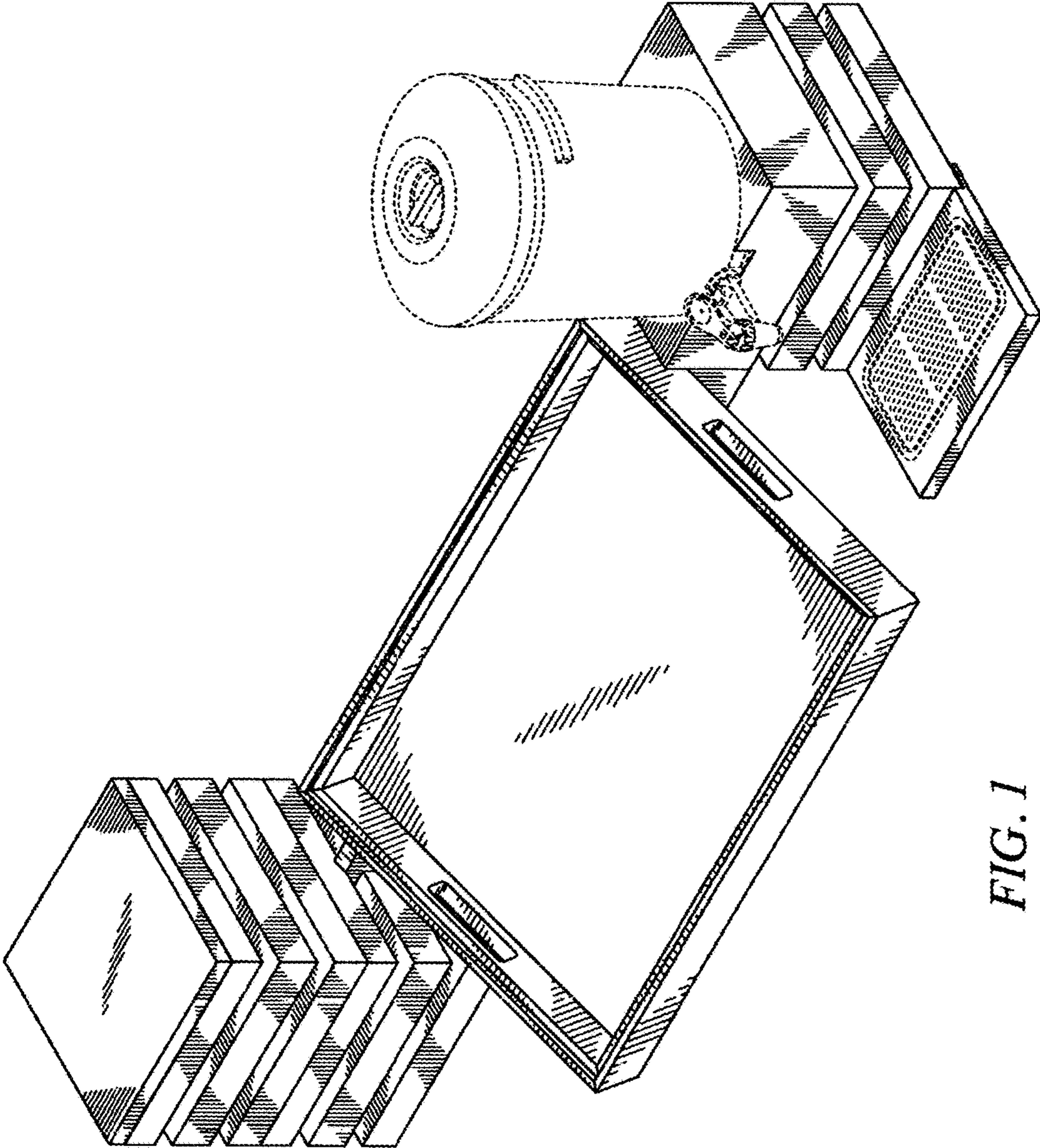


FIG. 1

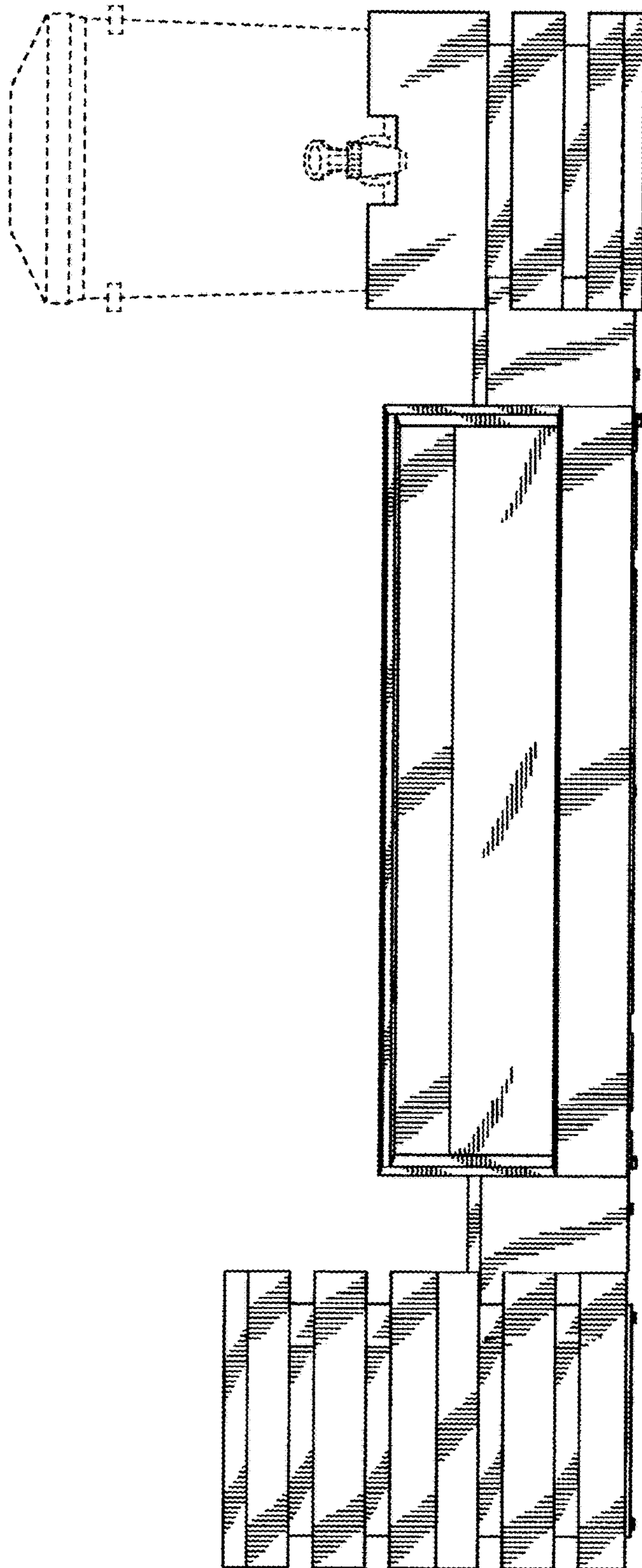


FIG. 2

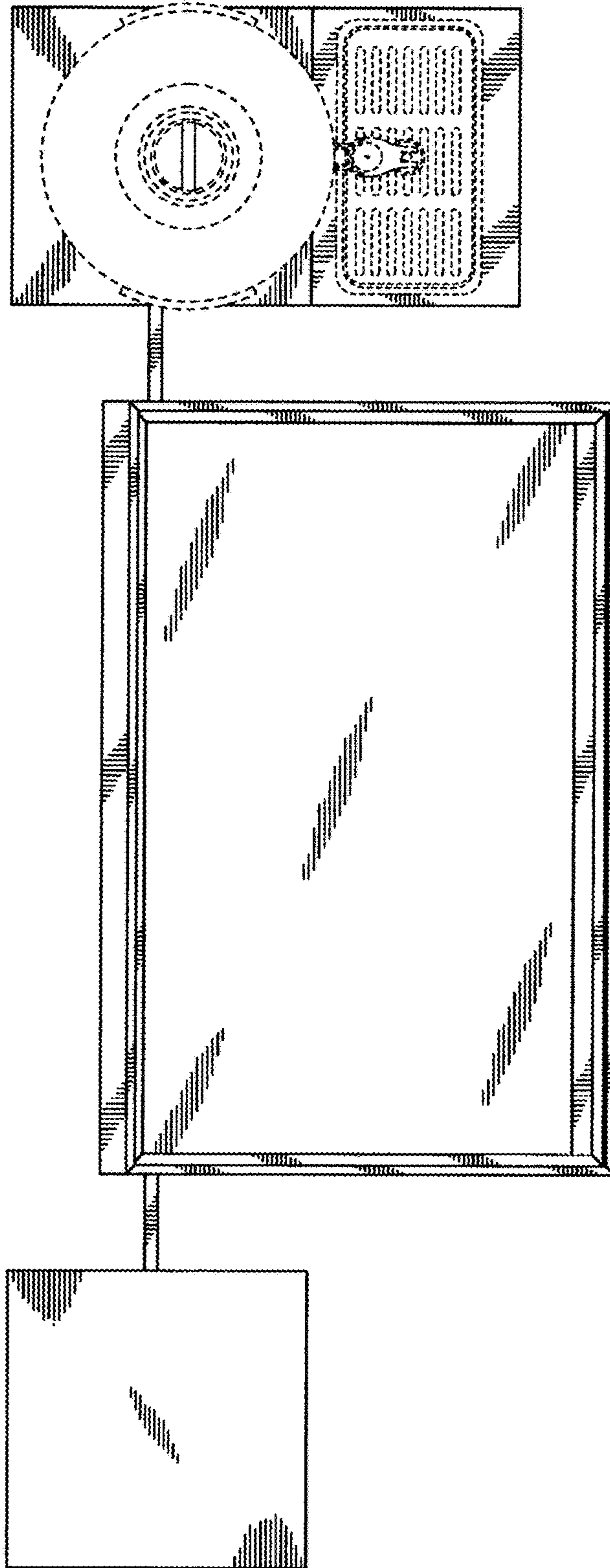


FIG. 3

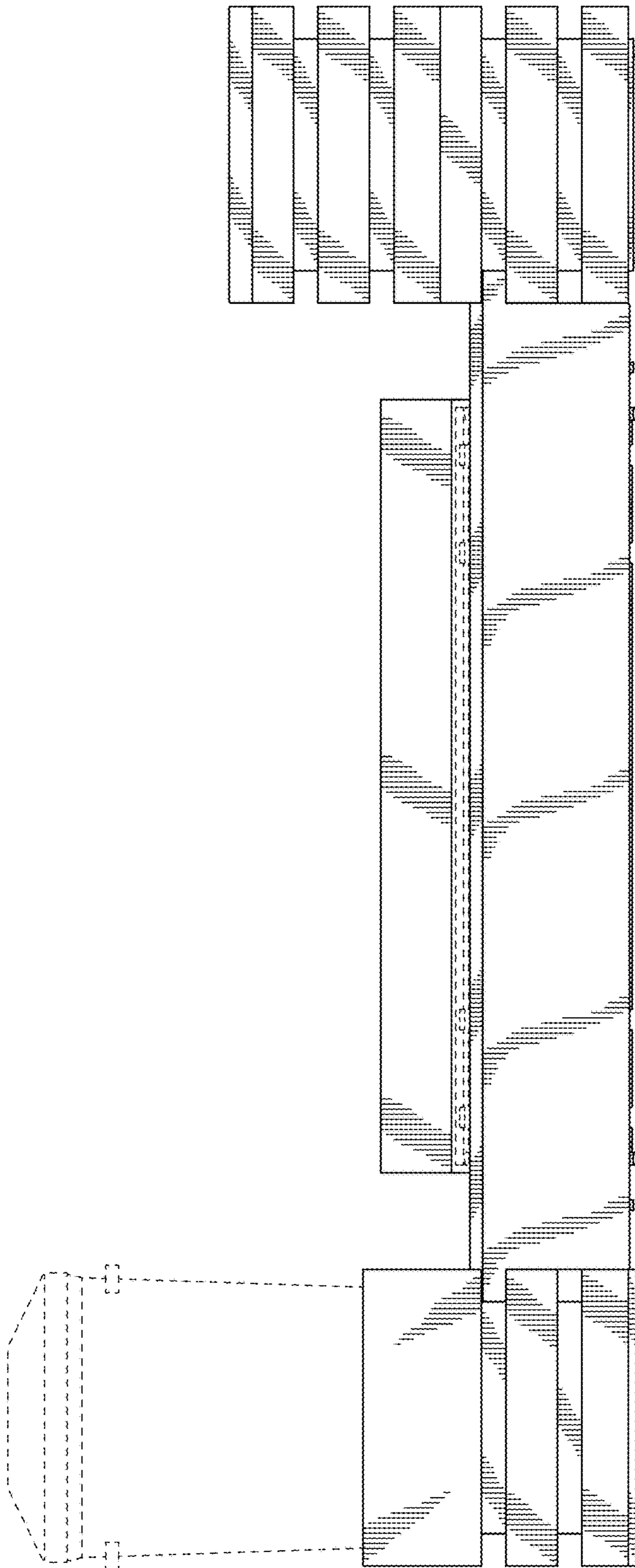


FIG. 4

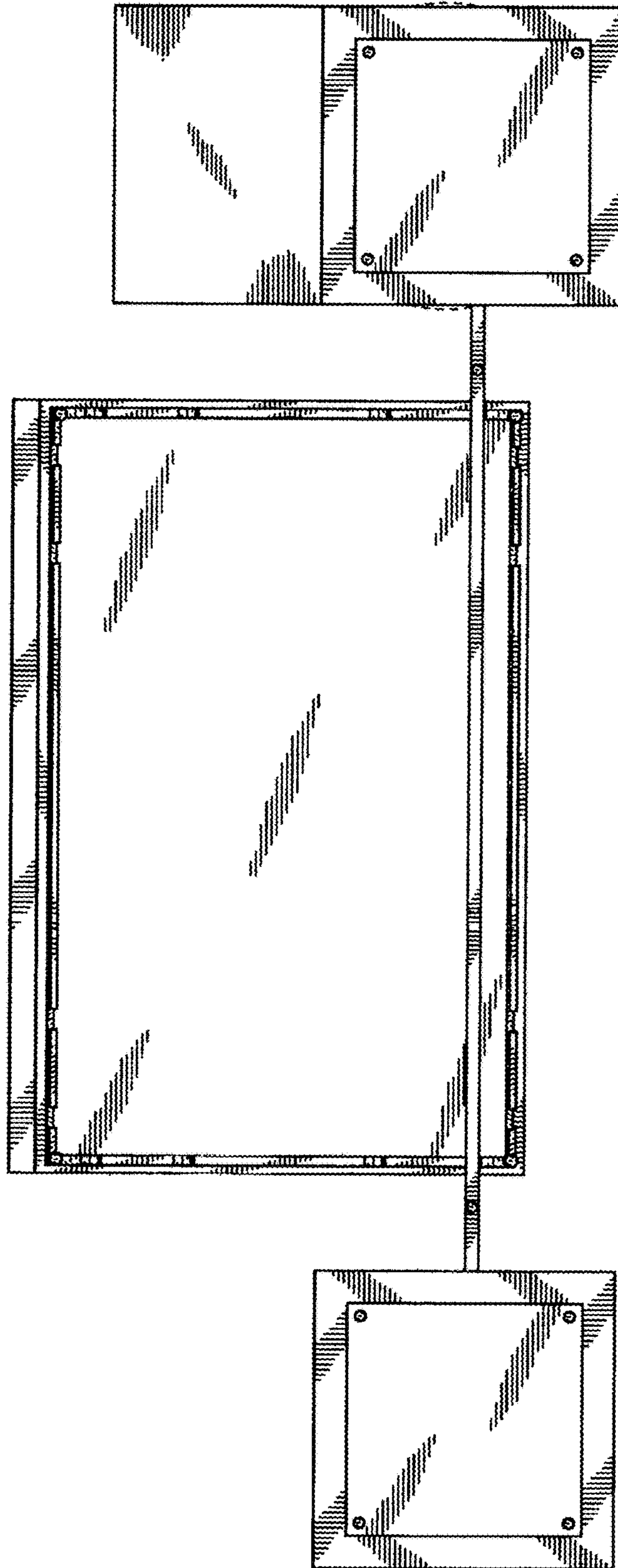


FIG. 5

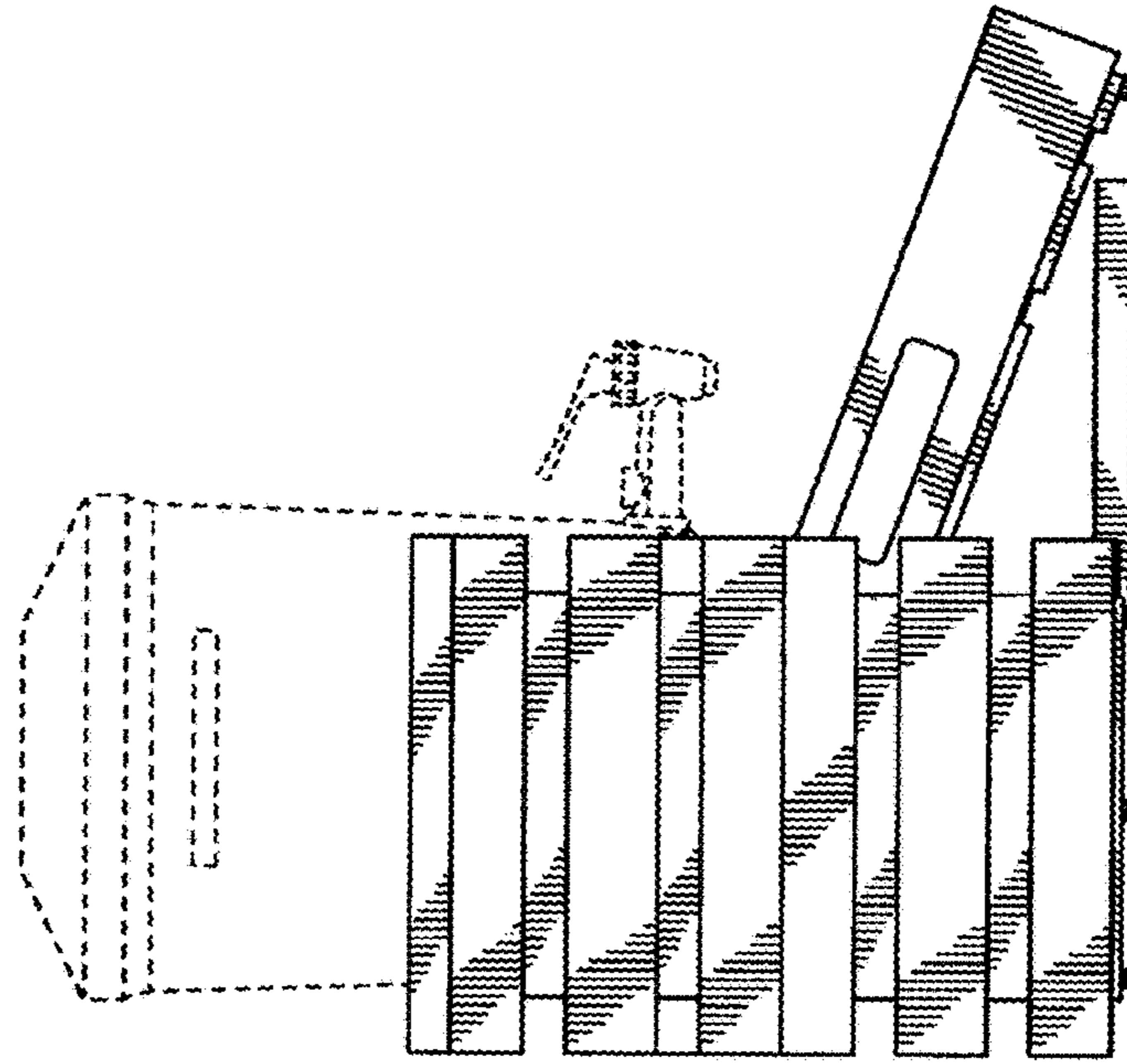


FIG. 6

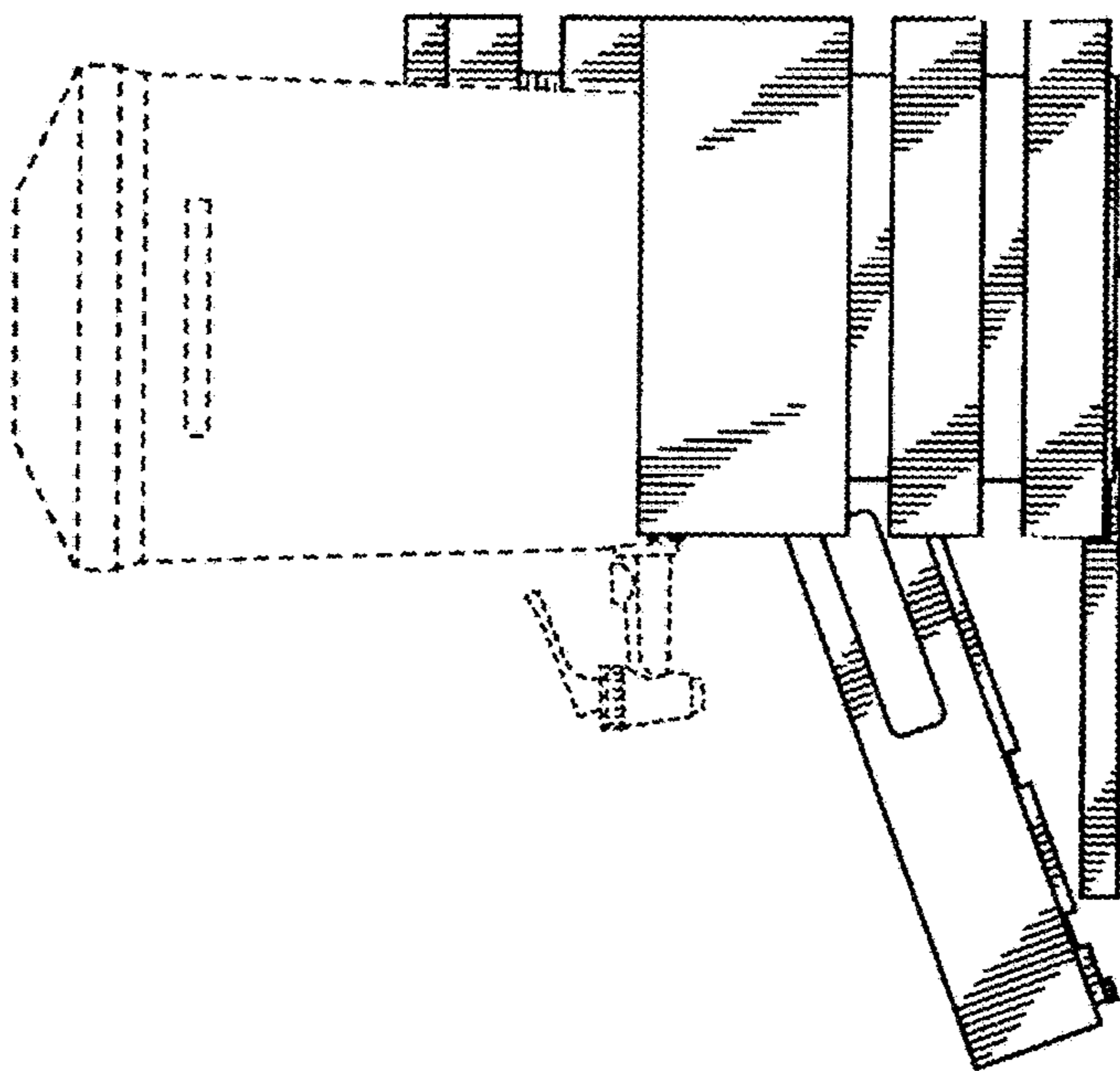


FIG. 7

UNITED STATES PATENT AND TRADEMARK OFFICE
CERTIFICATE OF CORRECTION

PATENT NO. : D809,834 S
APPLICATION NO. : 29/505771
DATED : February 13, 2018
INVENTOR(S) : Daniel Domenech Grau

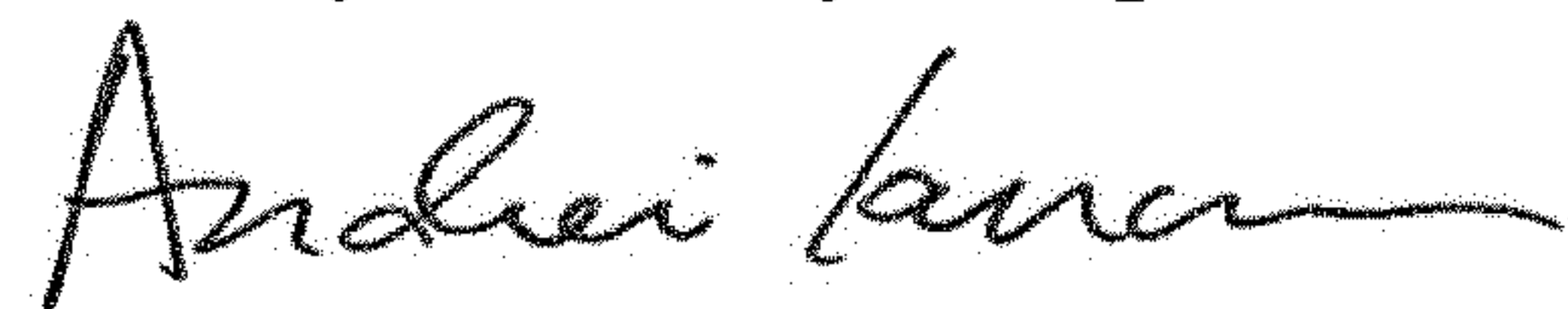
Page 1 of 1

It is certified that error appears in the above-identified patent and that said Letters Patent is hereby corrected as shown below:

On the Title Page

Item (73), the assignee name that reads "VOLLRATH PAJADAS, S.A." should be changed to
-- VOLLRATH PUJADAS, S.A. --

Signed and Sealed this
Twenty-third Day of April, 2019



Andrei Iancu
Director of the United States Patent and Trademark Office