



US00D809832S

(12) **United States Design Patent** (10) **Patent No.:** **US D809,832 S**
Gruppenhof (45) **Date of Patent:** **** Feb. 13, 2018**

(54) **DISPLAY UNIT WITH BUILT-IN SHELVING SUPPORTS**

D747,902 S * 1/2016 Matloff D6/678.1
D777,489 S * 1/2017 Stauss D6/705
D784,055 S * 4/2017 Arzaluz D6/675.2
D797,477 S * 9/2017 Horsky D6/675.4

(71) Applicant: **InnerWorkings, Inc.**, Chicago, IL (US)

* cited by examiner

(72) Inventor: **Austin G. Gruppenhof**, Hamilton, OH (US)

Primary Examiner — Kelley Donnelly

(73) Assignee: **INNERWORKINGS, INC.**, Chicago, IL (US)

(74) *Attorney, Agent, or Firm* — Morgan, Lewis & Bockius LLP

(**) Term: **15 Years**

(57) **CLAIM**

An ornamental design for a display unit with built-in shelving supports, as shown and described.

(21) Appl. No.: **29/588,432**

DESCRIPTION

(22) Filed: **Dec. 20, 2016**

(51) **LOC (11) Cl.** **06-06**

(52) **U.S. Cl.**
USPC **D6/675.1**

(58) **Field of Classification Search**
USPC D6/315, 329, 672, 673, 675, 675.1, 682, D6/512
CPC A47B 47/00; A47B 47/0058; A47B 47/06; A47F 5/00; A47F 5/0018; A47F 5/0062; A47F 3/00

This application is also related to the following design applications: U.S. Design patent application Ser. No. 29/588,433; U.S. Design patent application Ser. No. 29/588,435; U.S. Design patent application Ser. No. 29/588,436; U.S. Design patent application Ser. No. 29/588,438; U.S. Design patent application Ser. No. 29/588,440; U.S. Design patent application Ser. No. 29/588,441; U.S. Design patent application Ser. No. 29/588,442; U.S. Design patent application Ser. No. 29/588,443; and U.S. Design patent application Ser. No. 29/588,444. Each of these related design applications is hereby incorporated by reference in its entirety.

See application file for complete search history.

FIG. 1 is a perspective view of my new design for a display unit with built-in shelving supports;

(56) **References Cited**

U.S. PATENT DOCUMENTS

D314,296 S * 2/1991 Mason D6/675.1
D496,193 S * 9/2004 Mason D6/678.3
D496,194 S * 9/2004 Mason D6/682.2
D675,040 S * 1/2013 Koenigsknecht D6/675.1
D684,795 S * 6/2013 Koenigsknecht D6/675.1
D690,139 S * 9/2013 Trinh D6/672
D712,689 S * 9/2014 Montagner D6/675
D731,823 S * 6/2015 Kelinske D6/675.1
D745,298 S * 12/2015 Workman D6/705
9,215,940 B2 * 12/2015 Hawkins A47F 5/0006

FIG. 2 is a top view thereof.

FIG. 3 is a bottom view thereof.

FIG. 4 is a front view thereof.

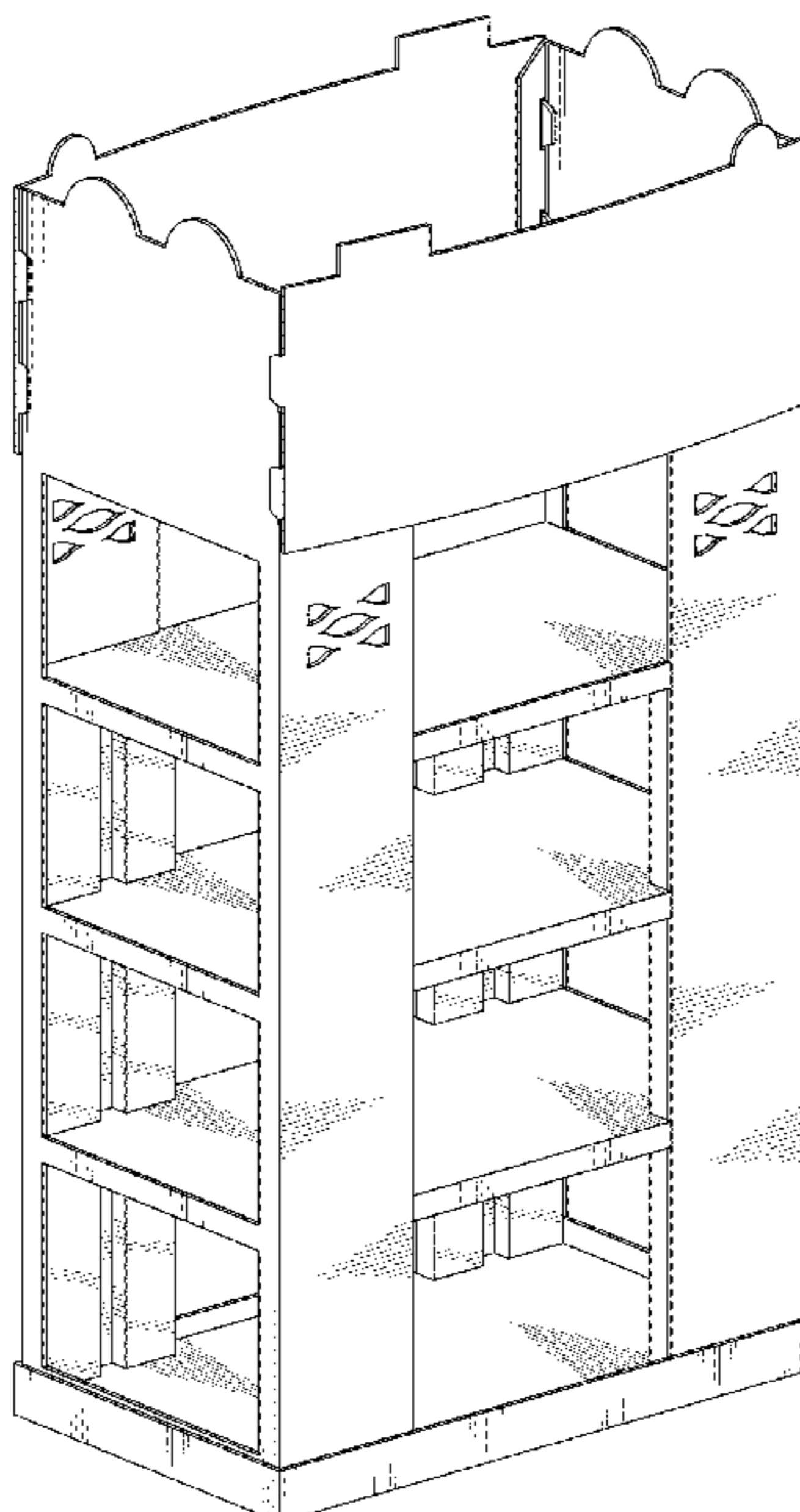
FIG. 5 is a rear view thereof.

FIG. 6 is a first side view thereof; and,

FIG. 7 is a second side view thereof.

The broken lines in the Figures are for illustrative purposes only and form no part of the claimed design.

1 Claim, 5 Drawing Sheets



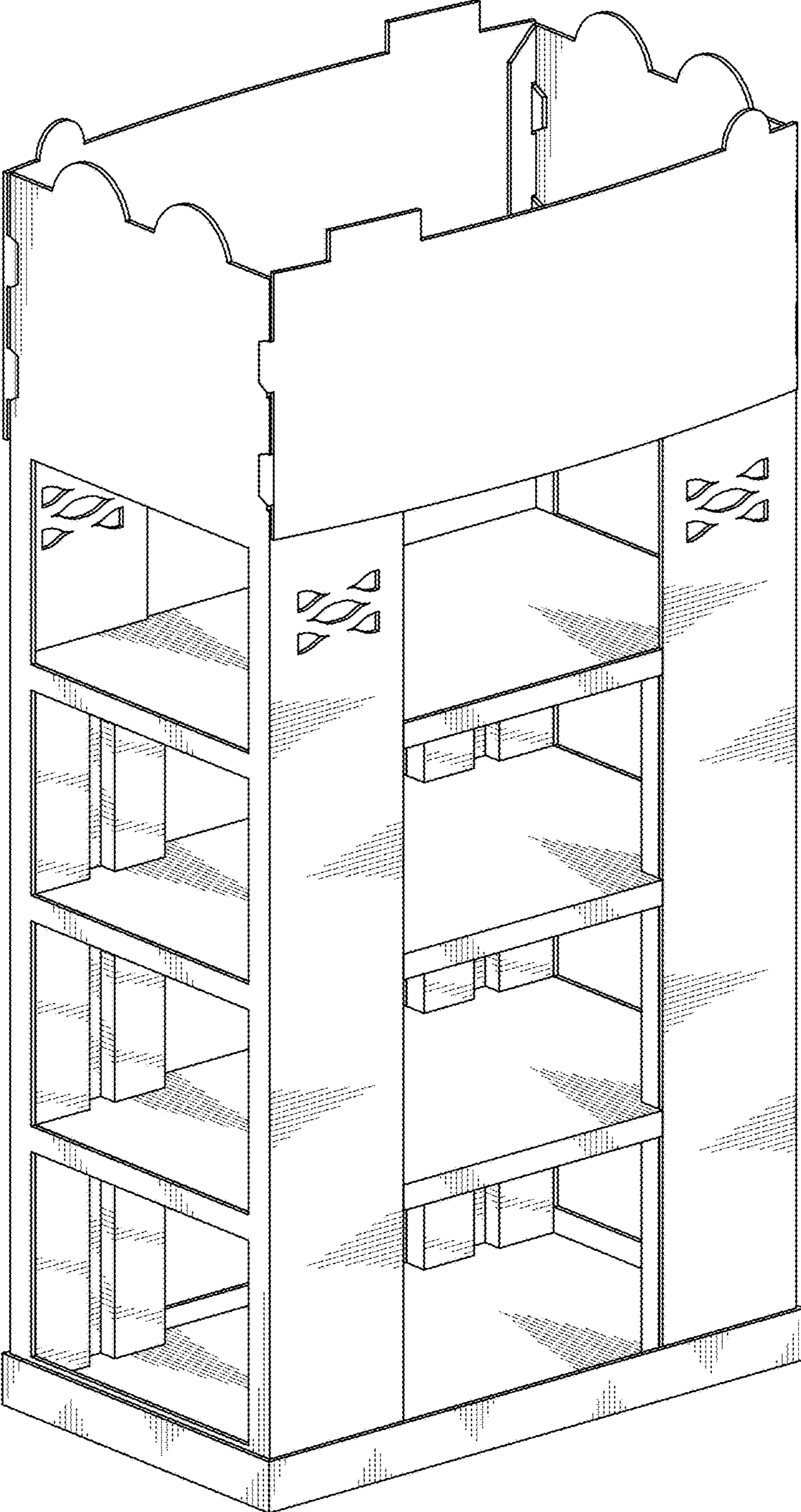


FIG. 1

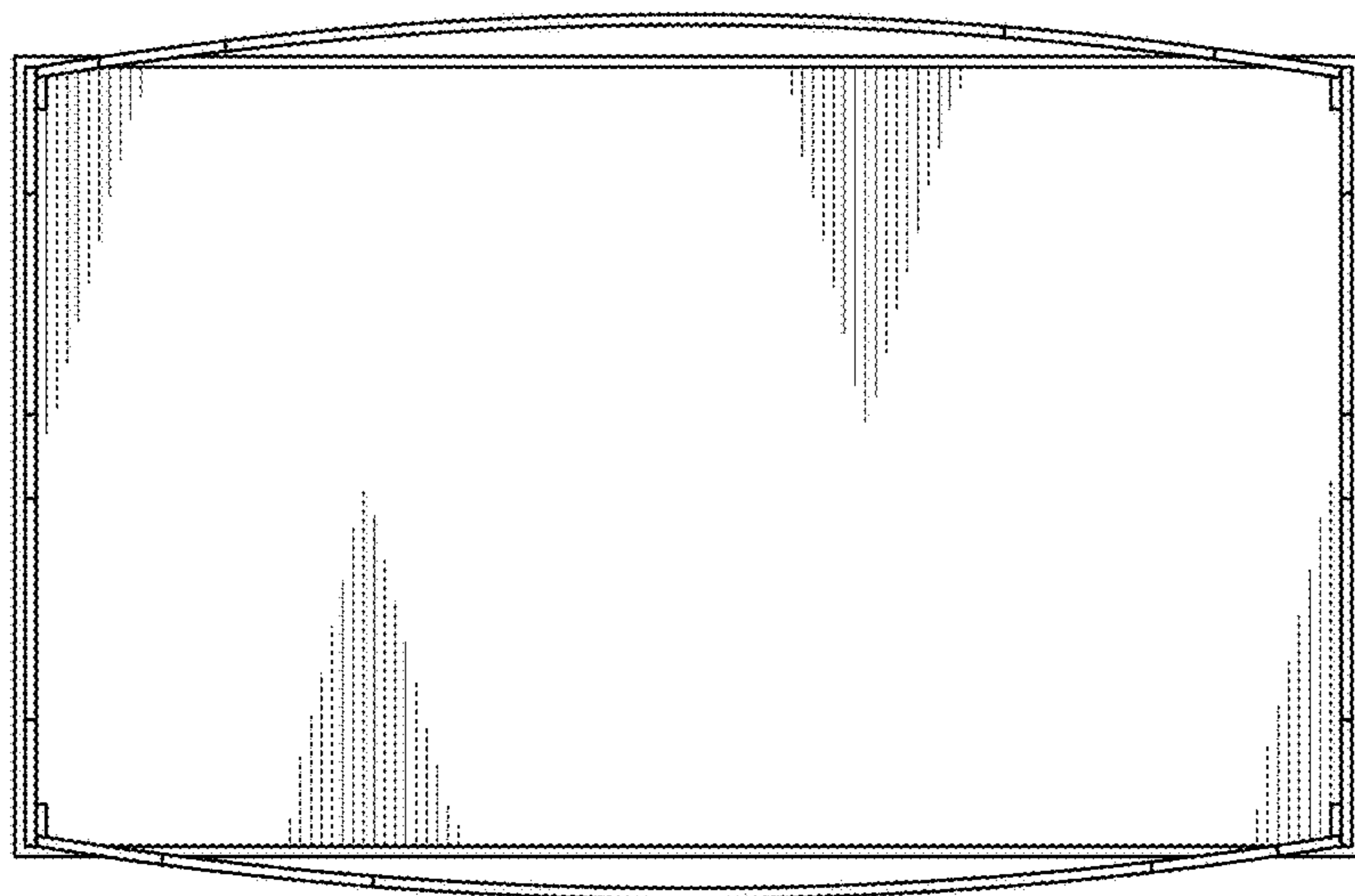


FIG. 2

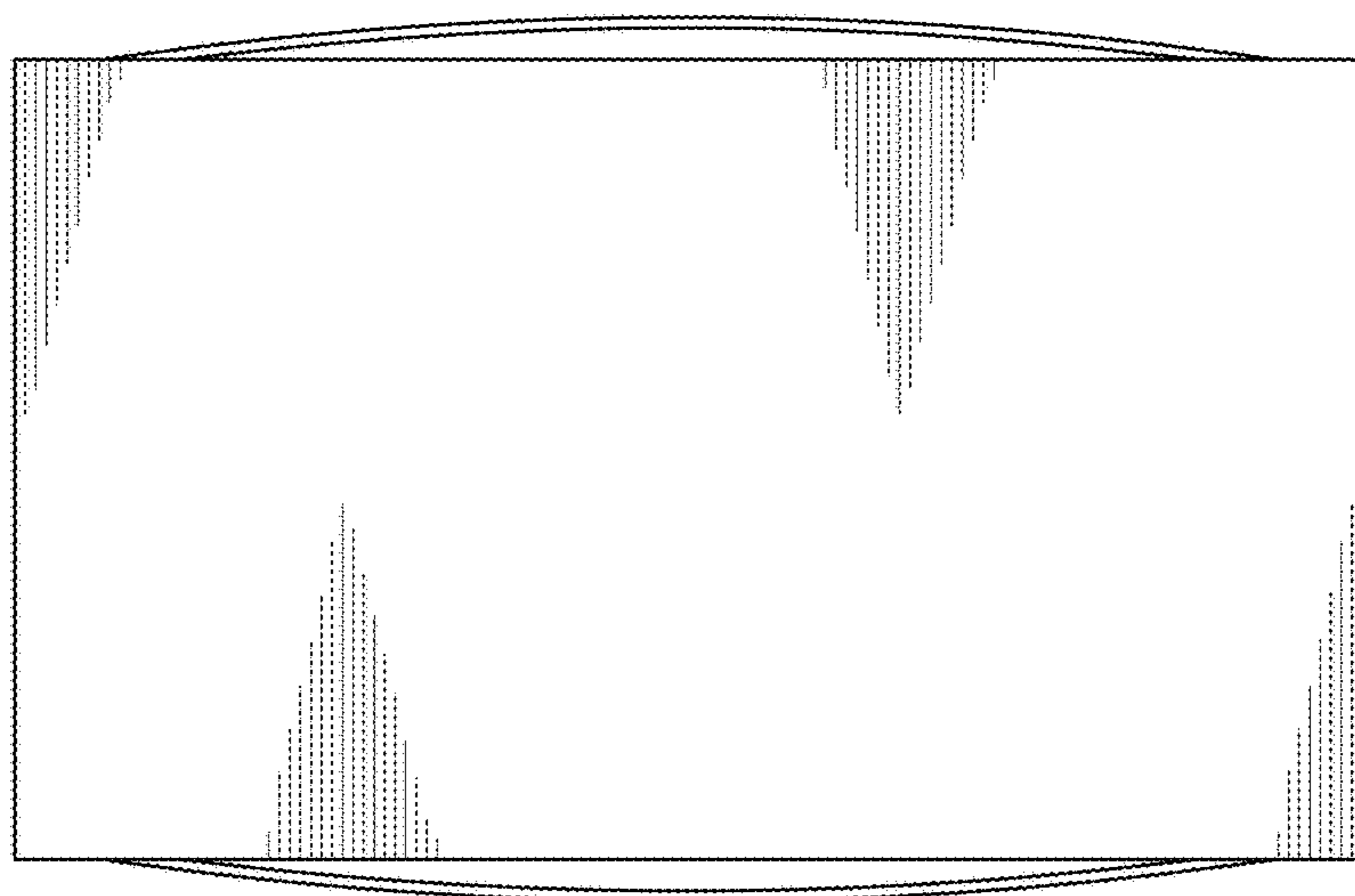


FIG. 3

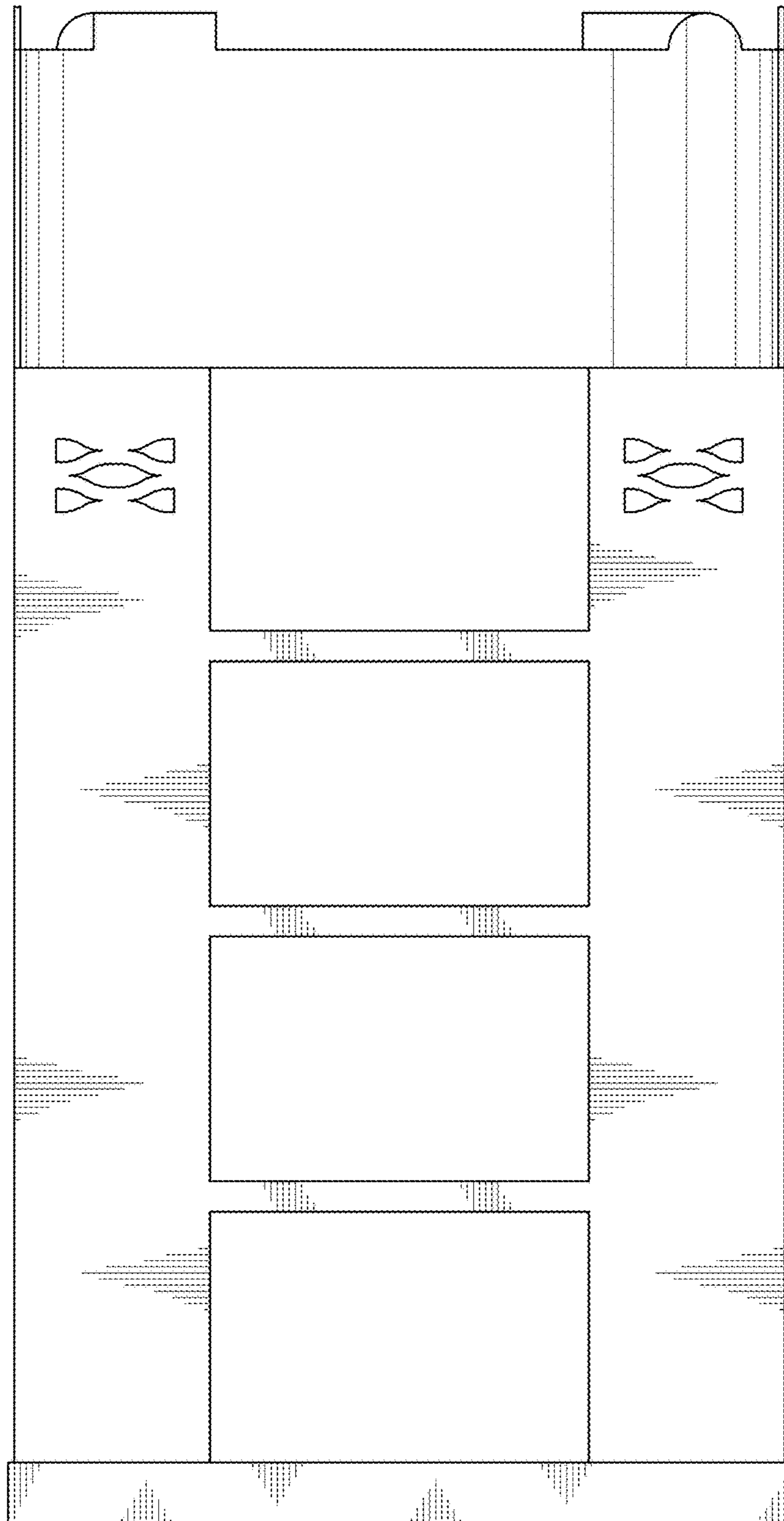


FIG. 4

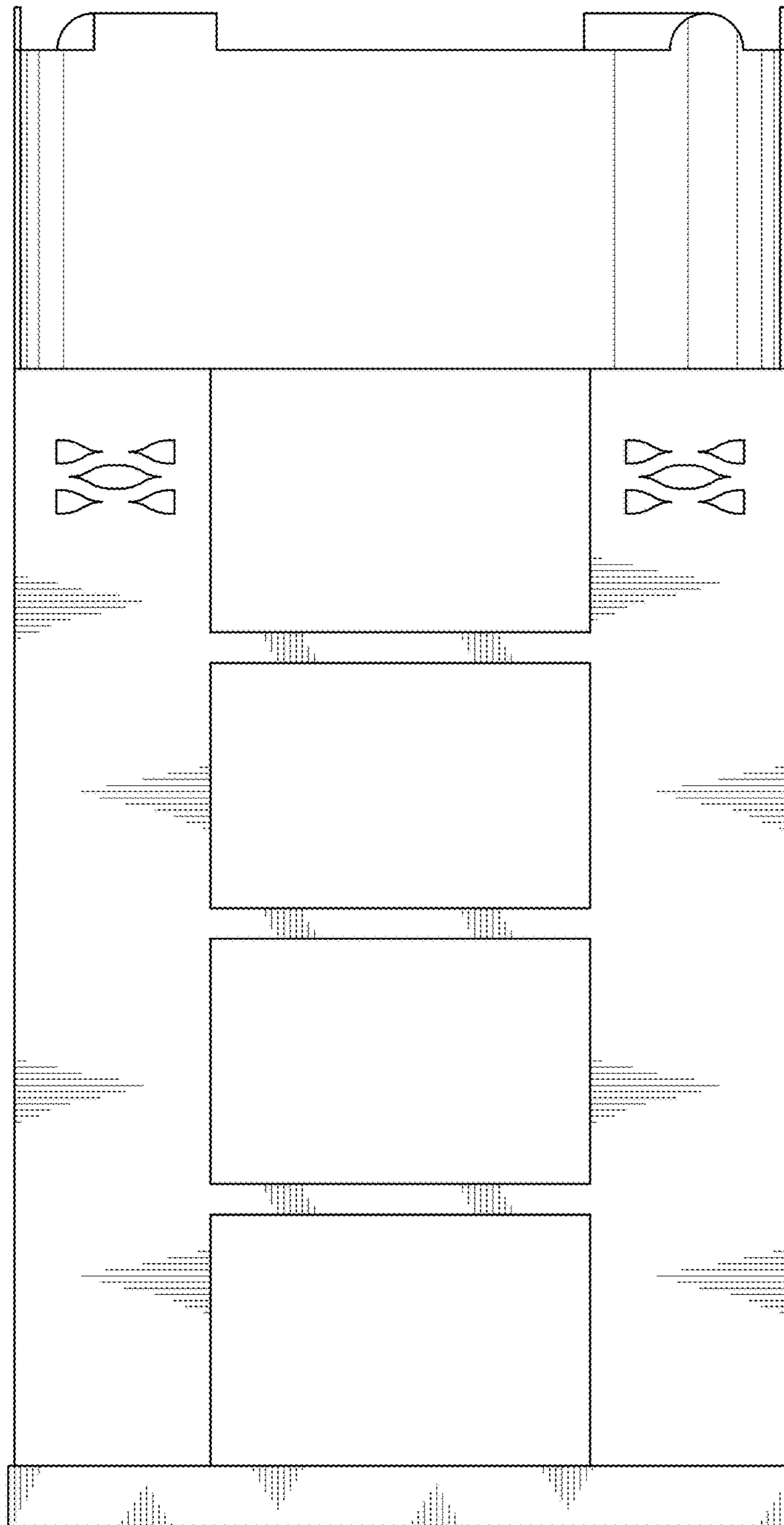


FIG. 5

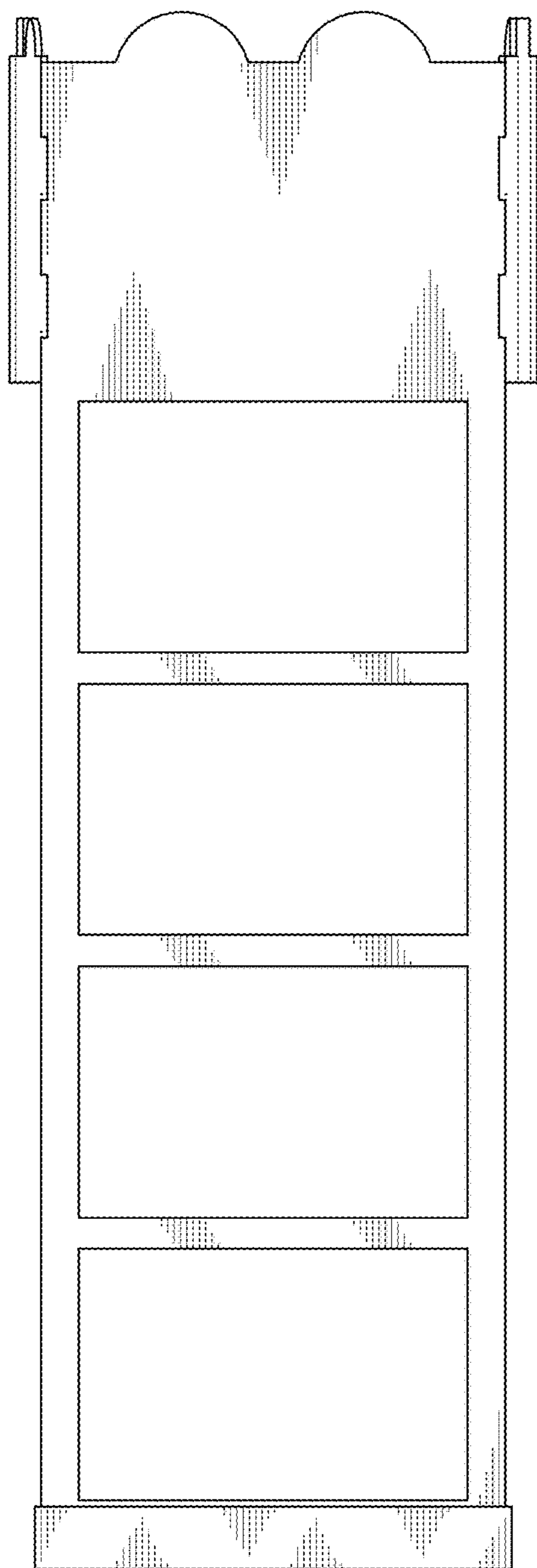


FIG. 6

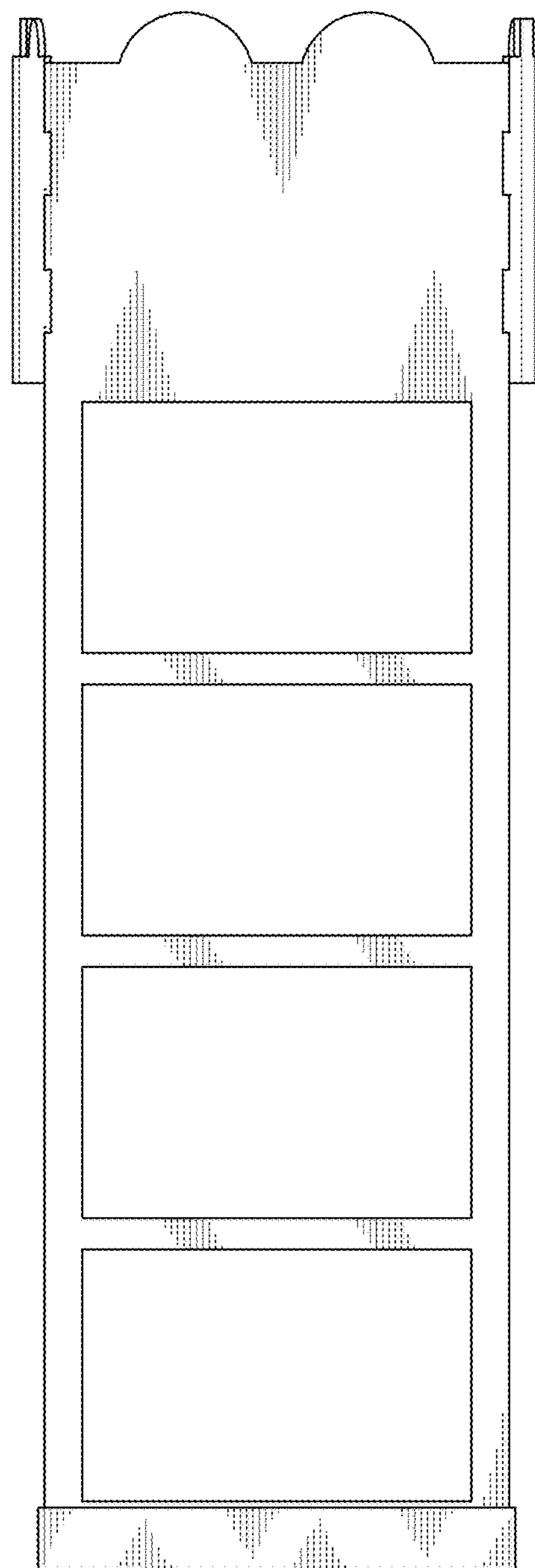


FIG. 7