



US00D809831S

(12) **United States Design Patent** (10) **Patent No.:** **US D809,831 S**  
**Moyer** (45) **Date of Patent:** **\*\* Feb. 13, 2018**

(54) **CHEST DRAWER SLANTED TOP**

(71) Applicant: **HMC Holdings, LLC**, Wampum, PA (US)  
(72) Inventor: **David A. Moyer**, New Castle, PA (US)  
(73) Assignee: **HMC Holdings, LLC**, Wampum, PA (US)  
(\*\*) Term: **15 Years**

(21) Appl. No.: **29/588,313**  
(22) Filed: **Dec. 20, 2016**  
(51) **LOC (11) Cl.** ..... **06-04**  
(52) **U.S. Cl.**  
USPC ..... **D6/667**  
(58) **Field of Classification Search**  
USPC ..... D6/642, 655, 657, 660, 663, 664, 667,  
D6/671, 671.1, 675.1, 675.3, 708;  
D3/905; D13/184; D14/369; D18/55  
CPC ..... Y10T 29/493; F25D 11/04; F25D 23/063;  
F25D 2323/061; F25D 2400/10  
See application file for complete search history.

(56) **References Cited**

**U.S. PATENT DOCUMENTS**

D103,074 S \* 2/1937 Morgan ..... D6/671  
D250,187 S \* 11/1978 Zierhut ..... D14/369  
4,917,256 A \* 4/1990 Kruck ..... B29C 44/146  
206/545  
D326,110 S \* 5/1992 Tashiro ..... D18/55  
D329,250 S \* 9/1992 Matsumoto ..... D18/55  
D388,975 S \* 1/1998 Naas ..... D6/642  
D430,426 S \* 9/2000 Bieker ..... D3/905  
D471,734 S \* 3/2003 Goss ..... D6/657  
D563,692 S \* 3/2008 DeCarlo ..... D6/663  
D619,824 S \* 7/2010 Preußner-Pfaff ..... D6/667  
7,937,958 B2 \* 5/2011 Shinya ..... F25D 11/04  
62/115

(Continued)

**OTHER PUBLICATIONS**

““Kobalt 22.5-in x41-in 9-Drawer Ball-Bearing Tool Chest (Stainless Steel)”” Aug. 17, 2014, lowes.com, site visited Sep. 26, 2017 <<https://www.lowes.com/pd/Kobalt-22-5-in-x-41-in-9-Drawer-Ball-Bearing-Tool-Chest-Stainless-Steel/50175953>> (Year: 2014).\*

*Primary Examiner* — Kevin K Rudzinski  
*Assistant Examiner* — Paul D Bohannon  
(74) *Attorney, Agent, or Firm* — Vangelis Economou;  
Economou IP Law

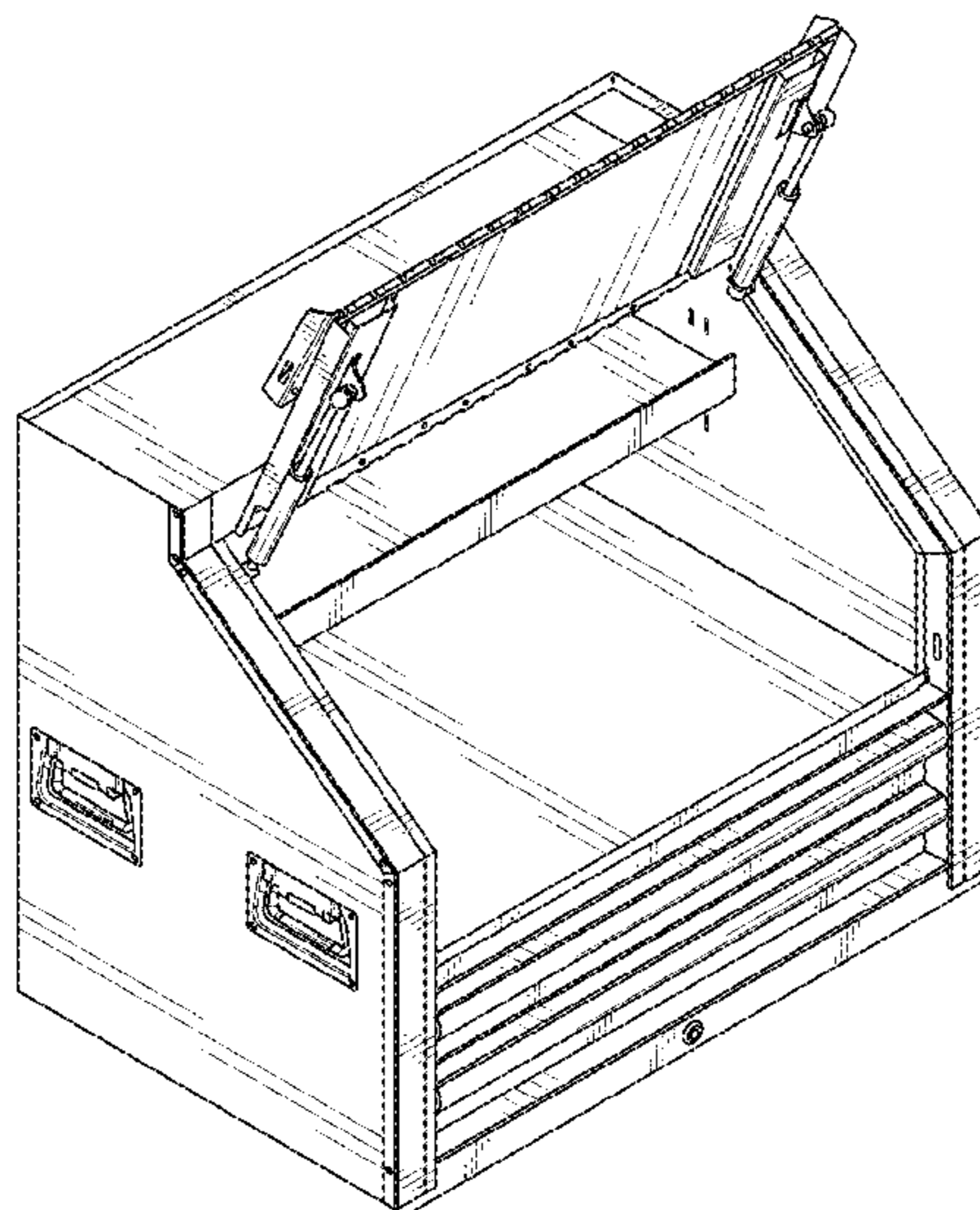
(57) **CLAIM**

The ornamental design for a chest drawer slanted top, as shown and described.

**DESCRIPTION**

FIG. 1 is a perspective view of the chest drawer slanted top showing my new design;  
FIG. 2 is a front elevational view thereof;  
FIG. 3 is a back elevational view thereof;  
FIG. 4 is a right side view thereof;  
FIG. 5 is a left side view thereof;  
FIG. 6 is a bottom view thereof;  
FIG. 7 is a top view thereof;  
FIG. 8 is a perspective view of the chest drawer slanted top showing the slanted top in a closed position;  
FIG. 9 is a front elevational view of the chest drawer slanted top showing the slanted top in a closed position;  
FIG. 10 is a back elevational view of the chest drawer slanted top showing the slanted top in a closed position;  
FIG. 11 is a right side view thereof showing the slanted top in a closed position;  
FIG. 12 is a left side view thereof showing the slanted top in a closed position;  
FIG. 13 is a bottom view thereof showing the slanted top in a closed position; and,  
FIG. 14 is a top view thereof showing the slanted top in a closed position.

**1 Claim, 8 Drawing Sheets**



(56)

**References Cited**

U.S. PATENT DOCUMENTS

D639,579	S	*	6/2011	Sexton	.....	D6/660
D651,429	S	*	1/2012	Ussen	.....	D6/671.1
D732,853	S	*	6/2015	Engebretson	.....	D6/657
D732,854	S	*	6/2015	Engebretson	.....	D6/657
D732,857	S	*	6/2015	Perkins	.....	D6/667
D763,603	S	*	8/2016	Bartelmuss	.....	D6/664
D772,185	S	*	11/2016	Moninski	.....	D13/184
D773,215	S	*	12/2016	Kappler	.....	D6/671
D782,225	S	*	3/2017	Duggin	.....	D6/663
D795,215	S	*	8/2017	Huang	.....	D13/184
2017/0190472	A1	*	7/2017	Milburn	.....	B65D 25/2808

\* cited by examiner

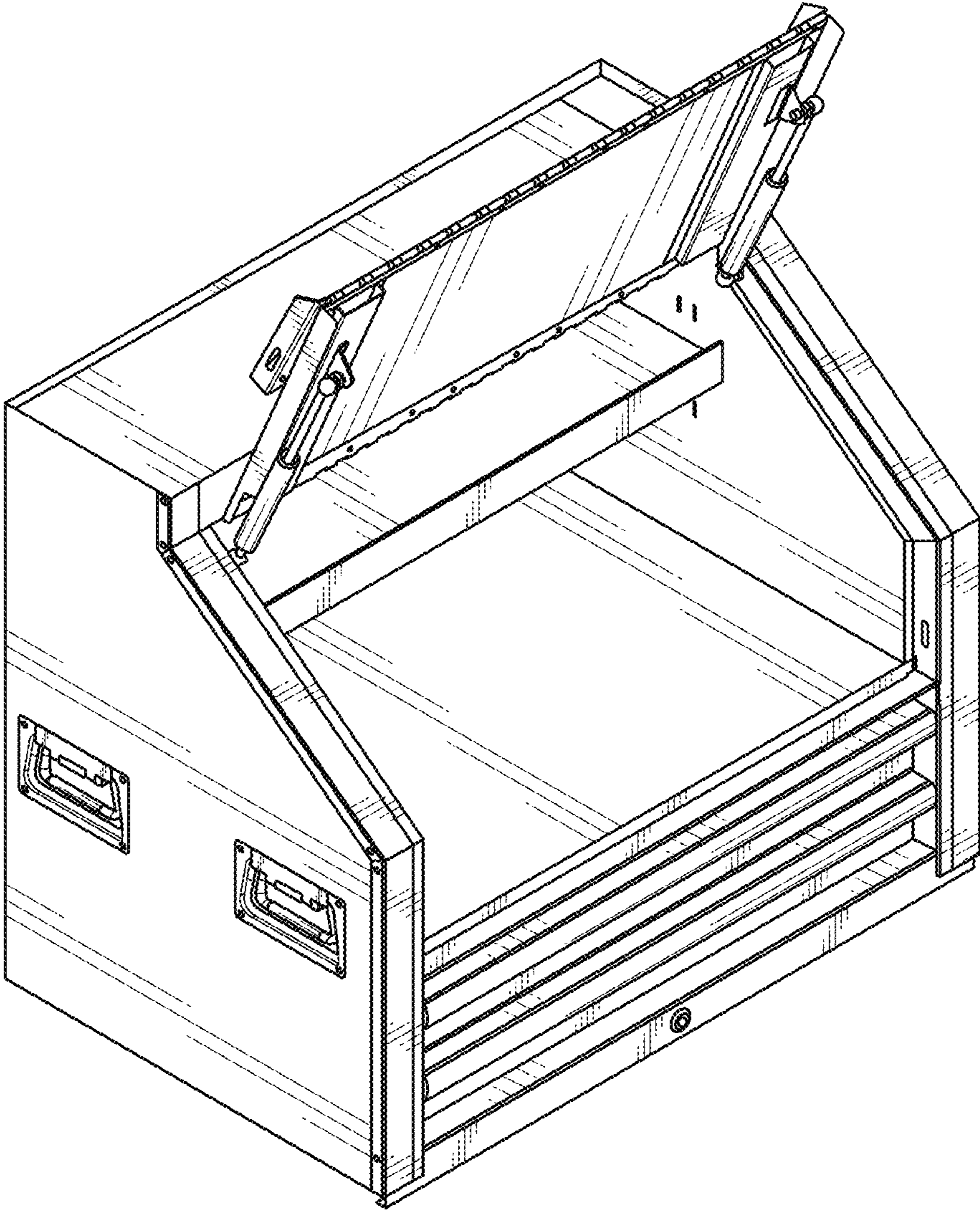


FIG. 1

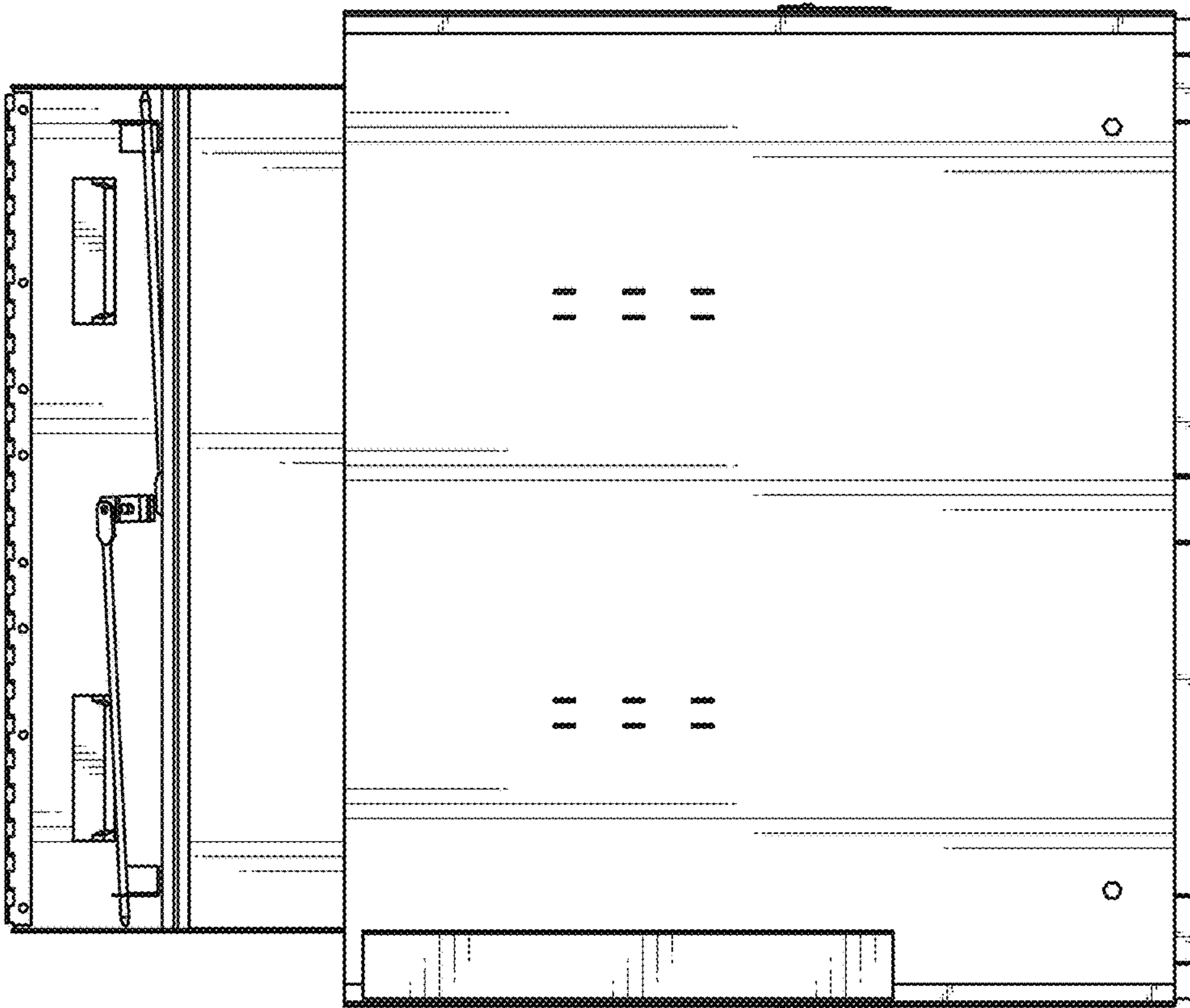


FIG. 3

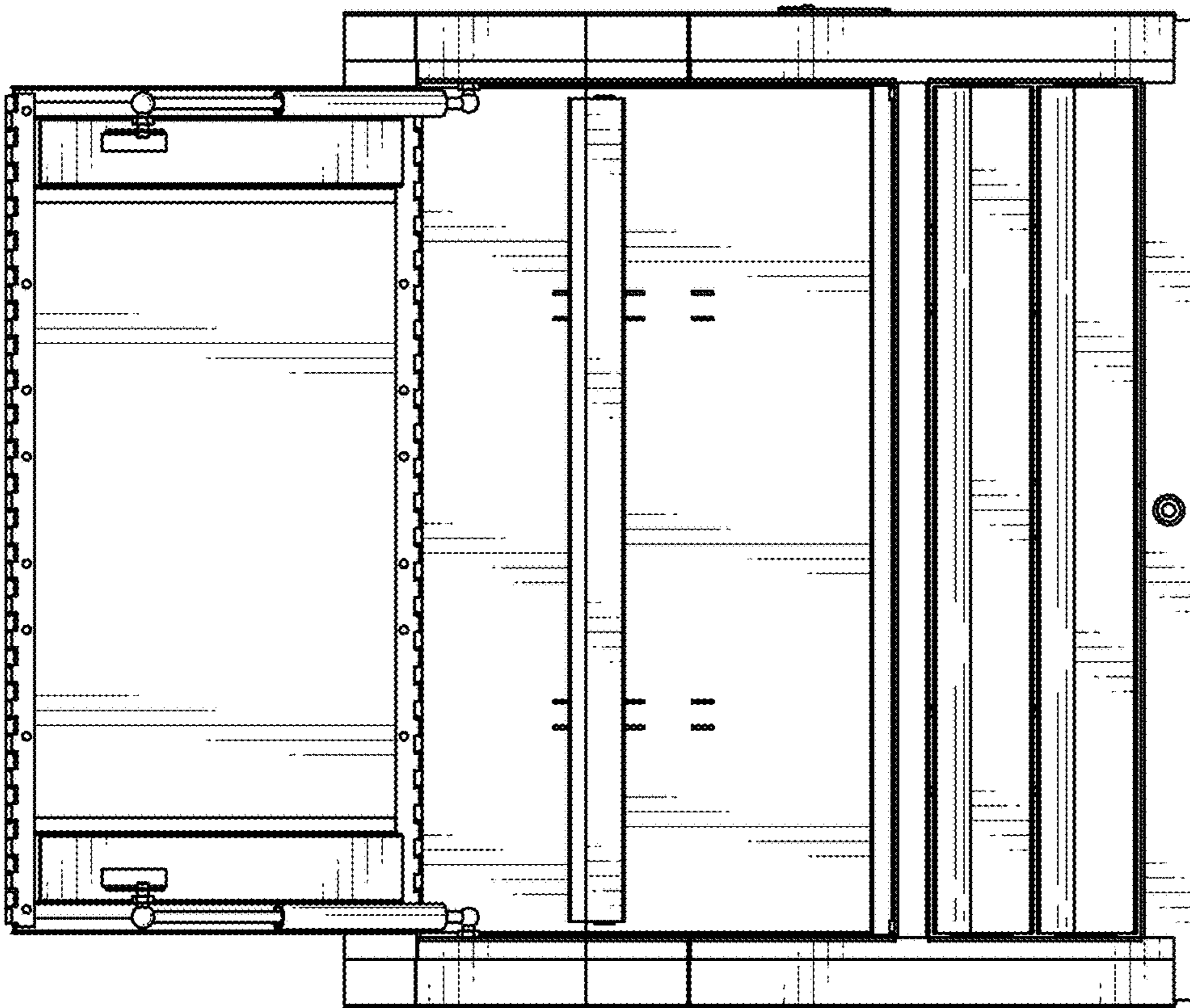


FIG. 2

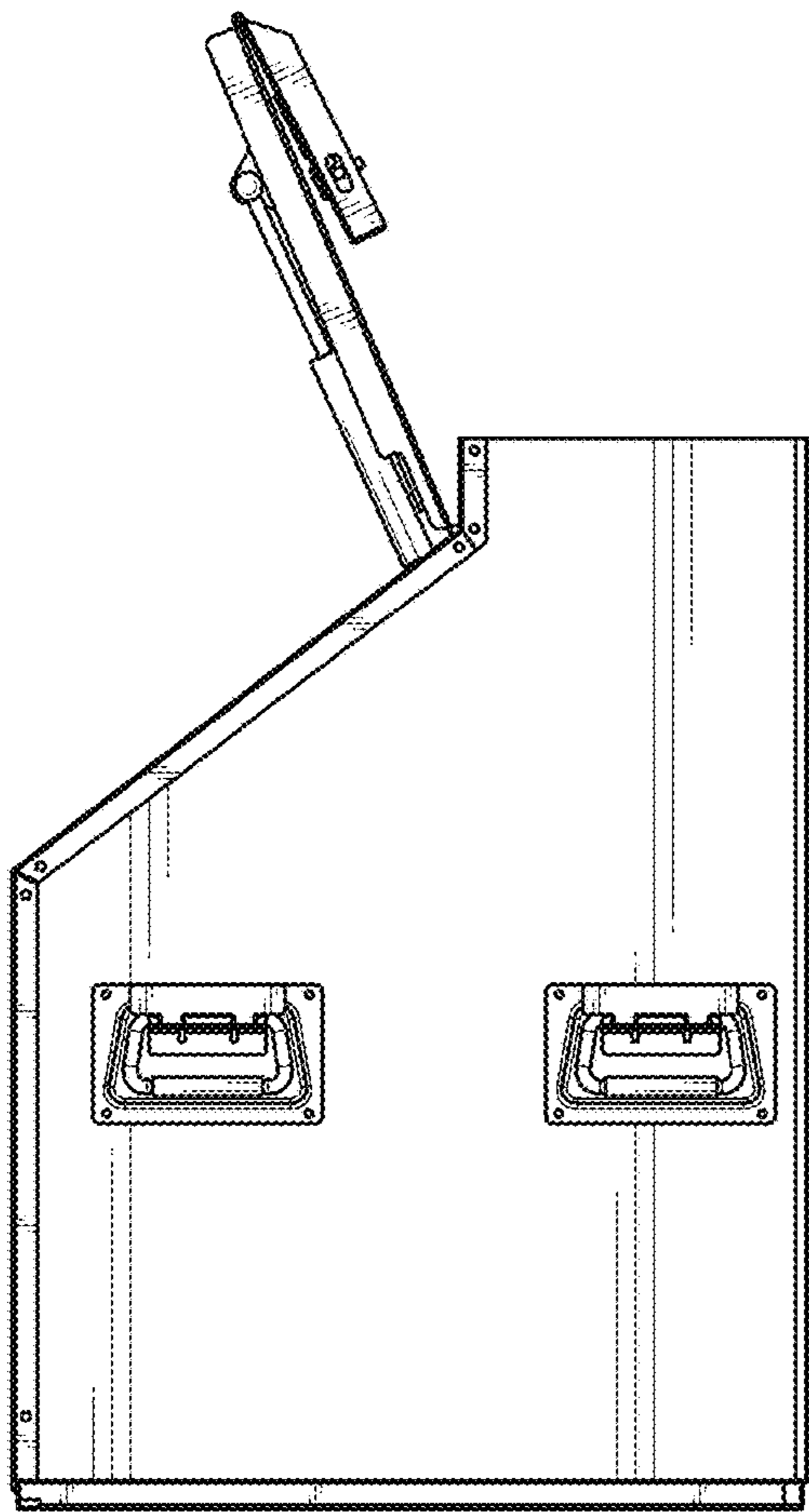


FIG. 4

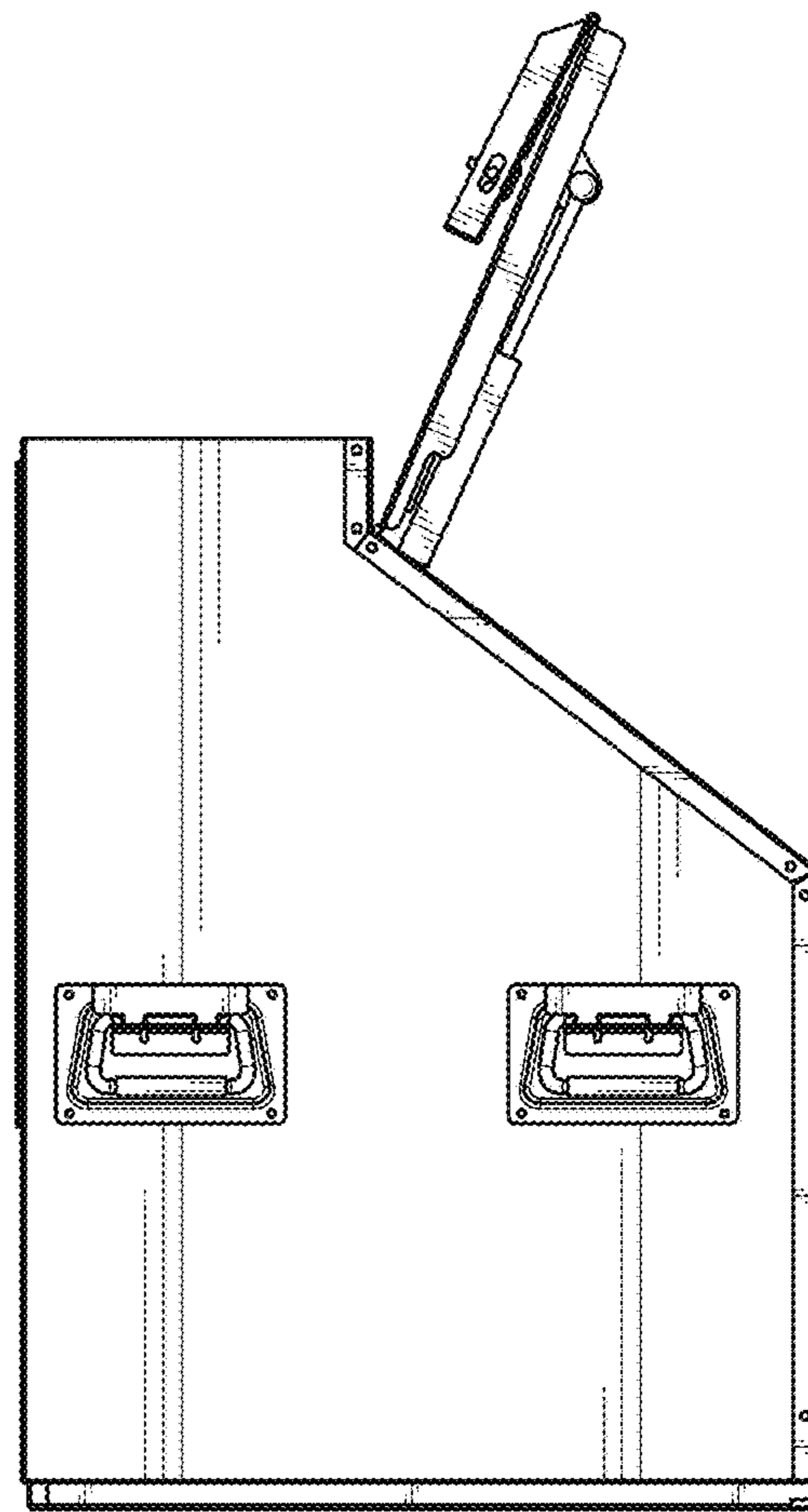


FIG. 5

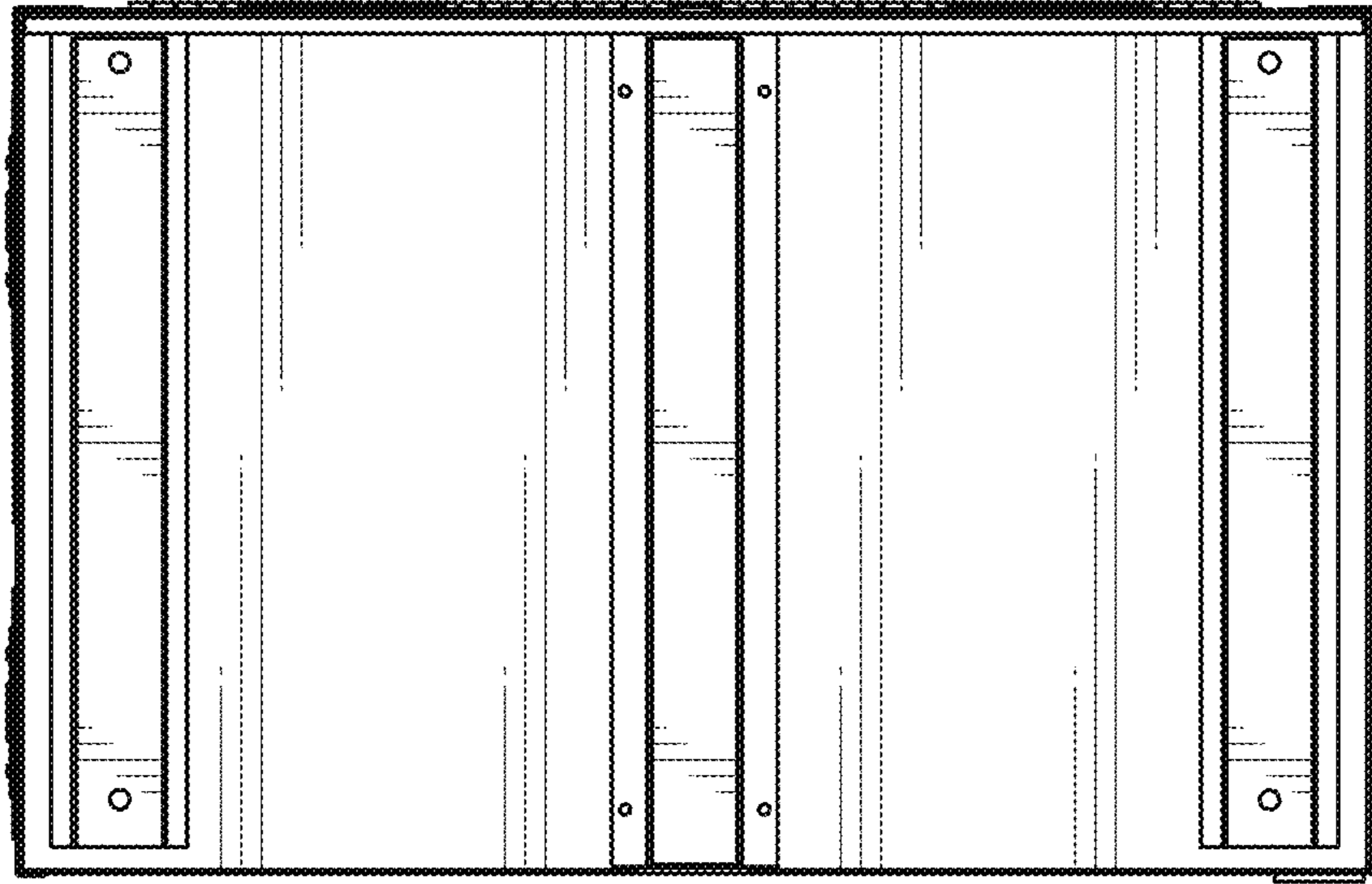


FIG. 6

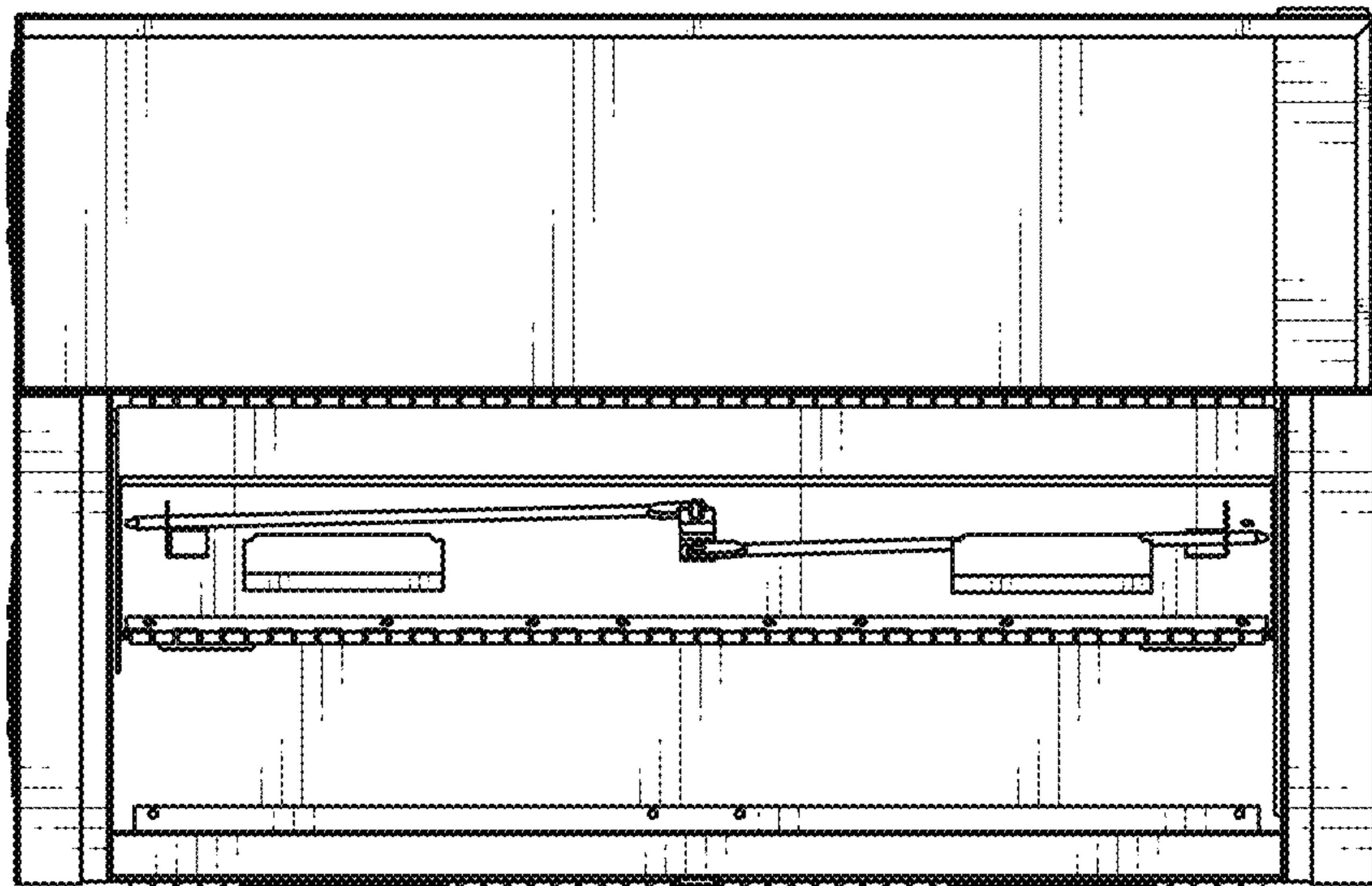


FIG. 7

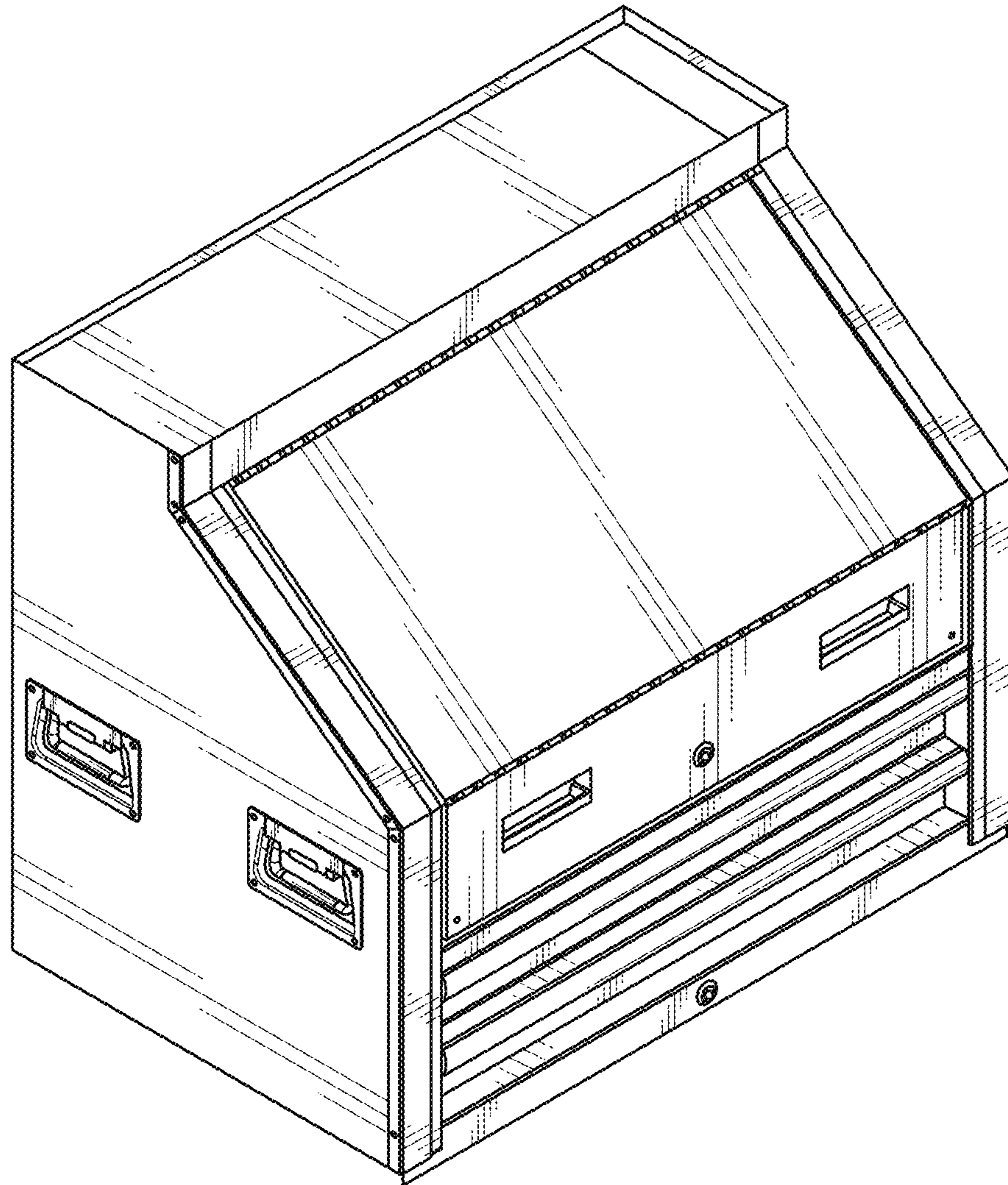


FIG. 8

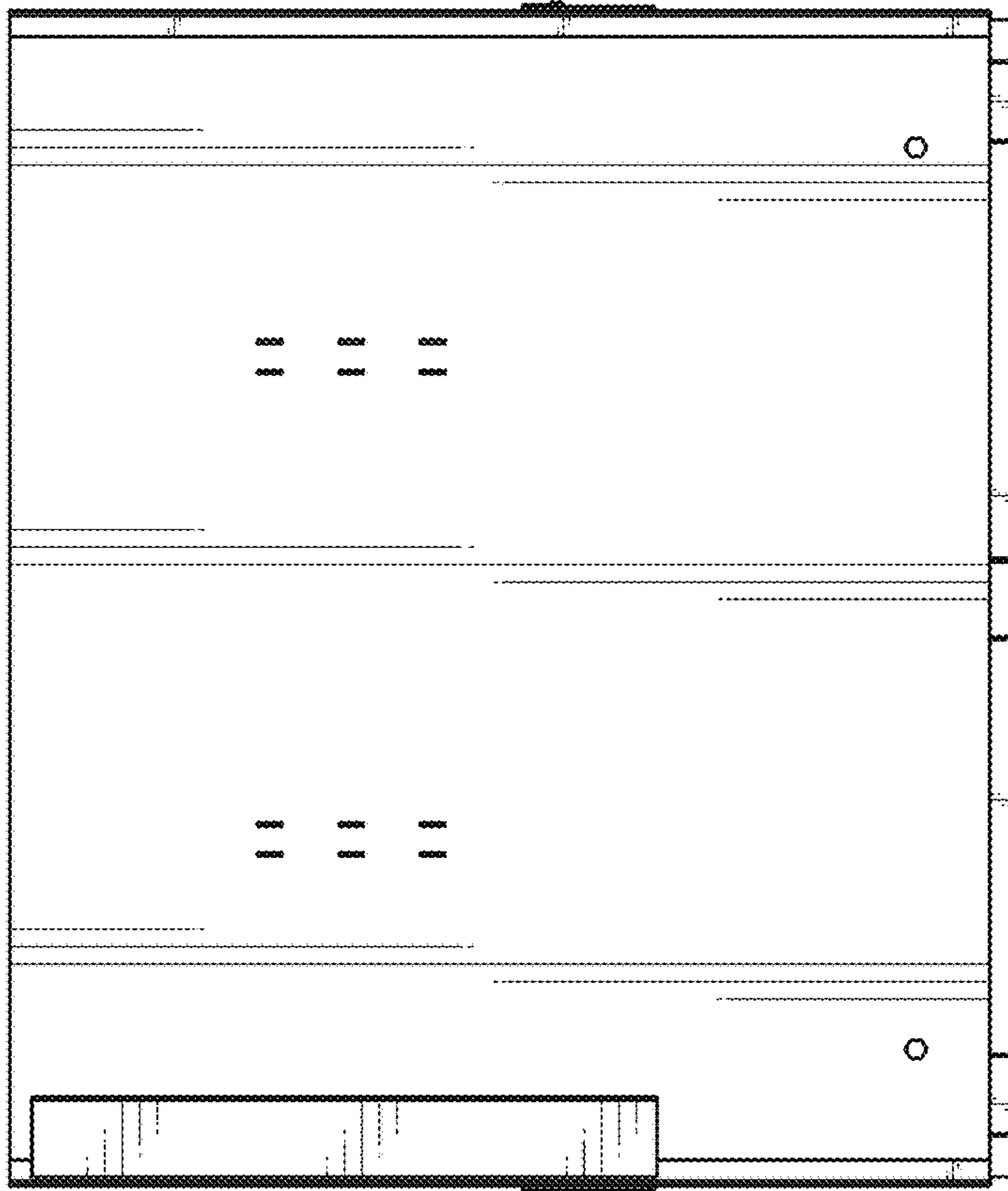


FIG. 10

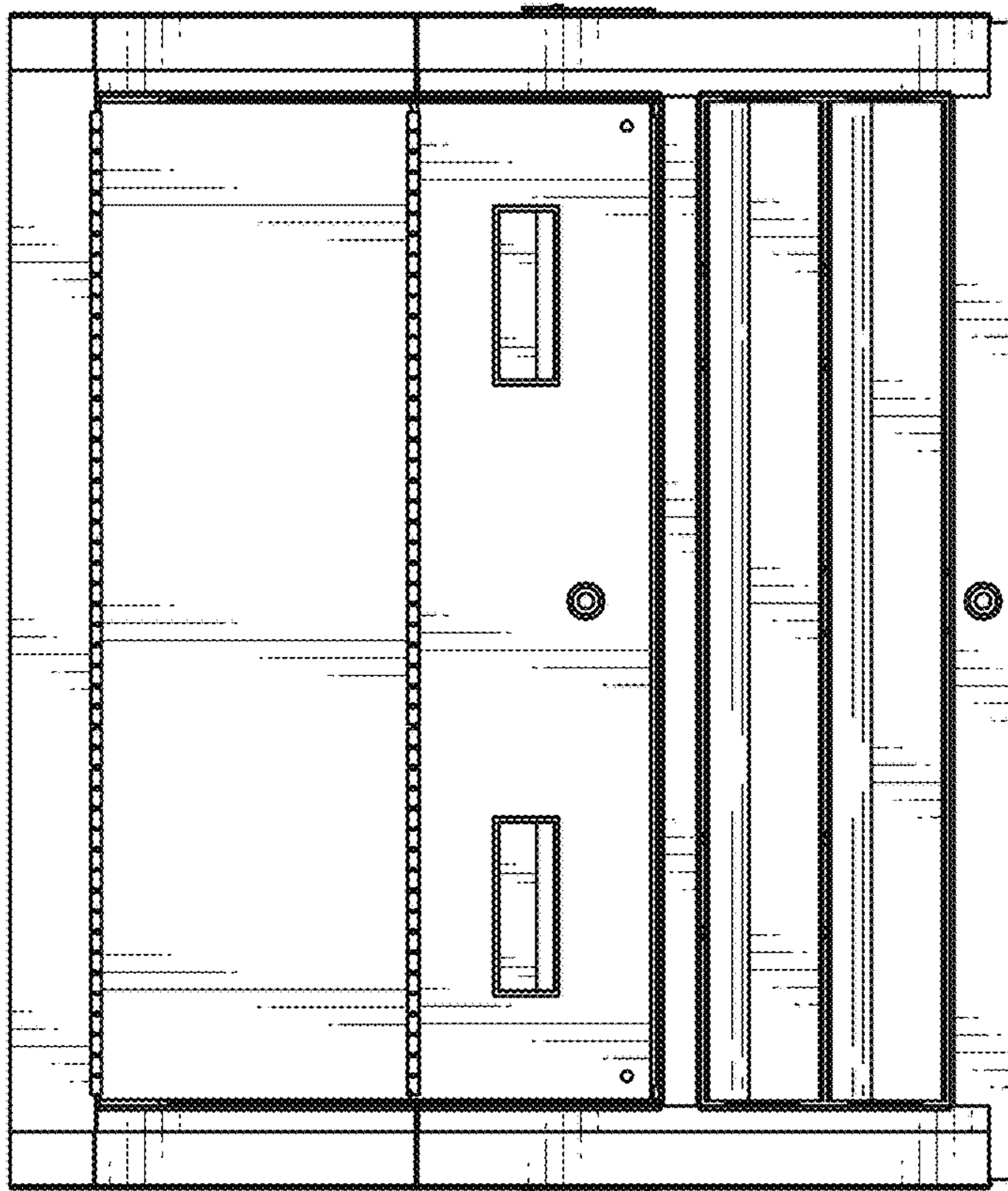


FIG. 9



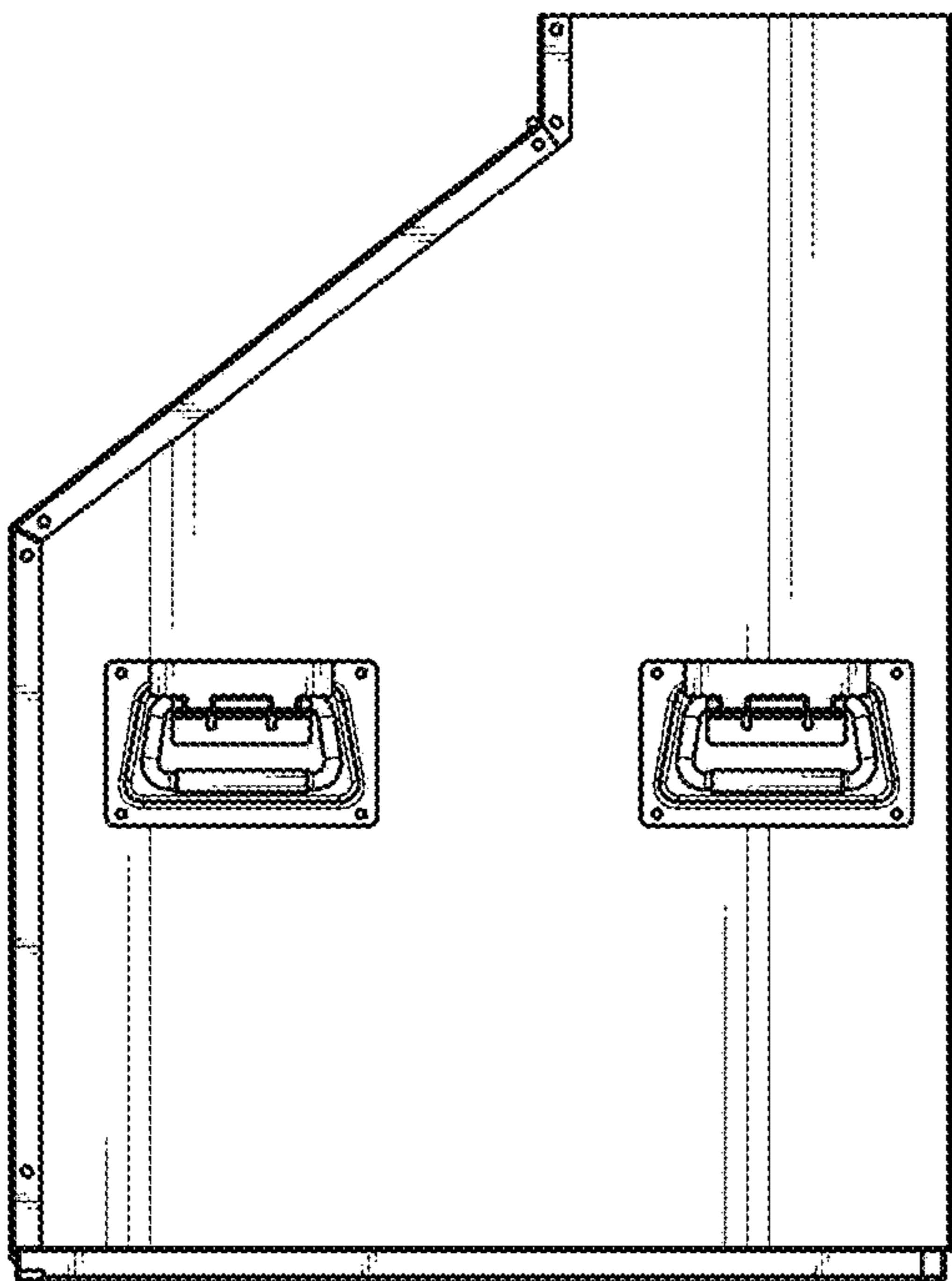


FIG. 11

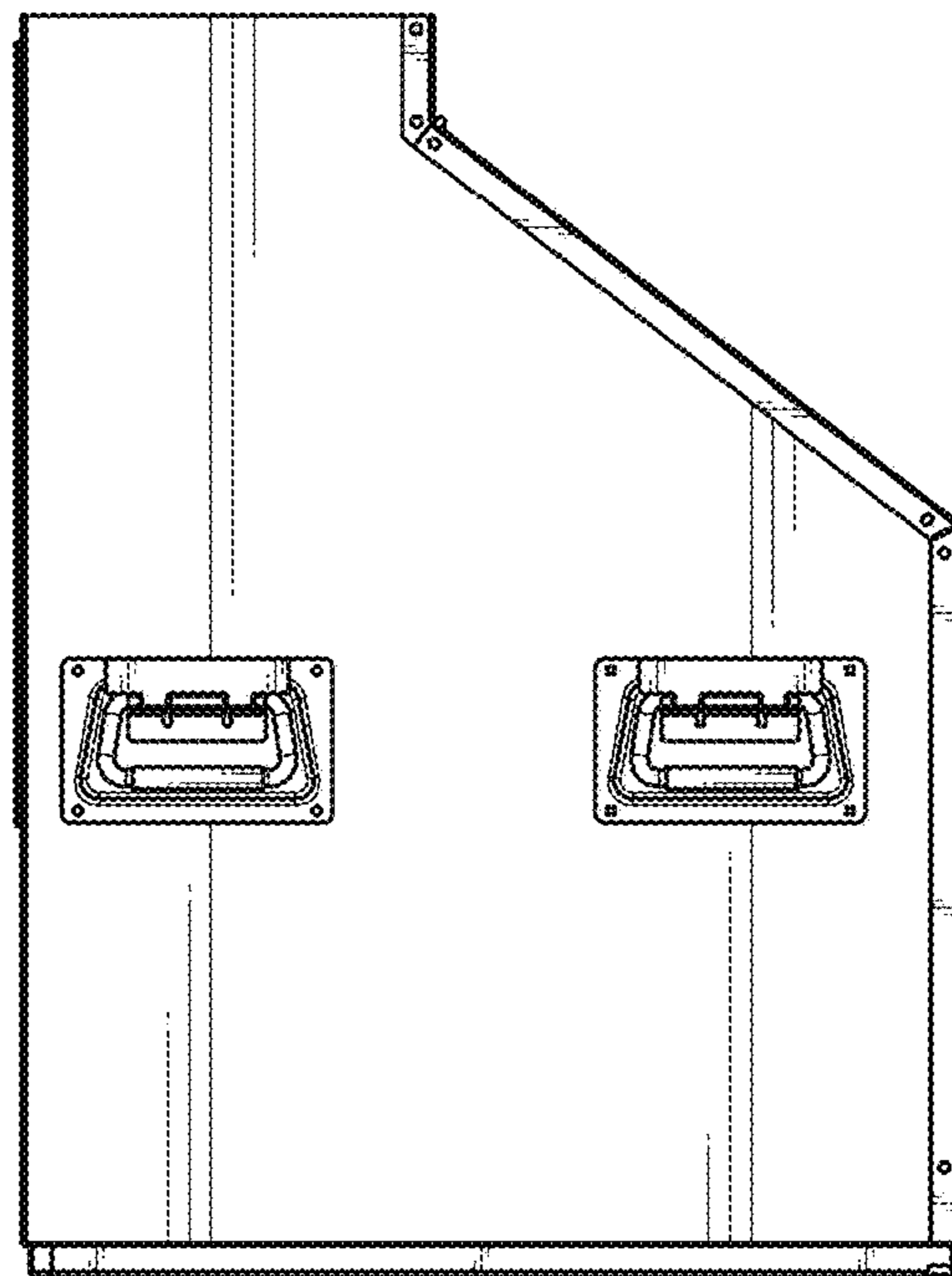


FIG. 12

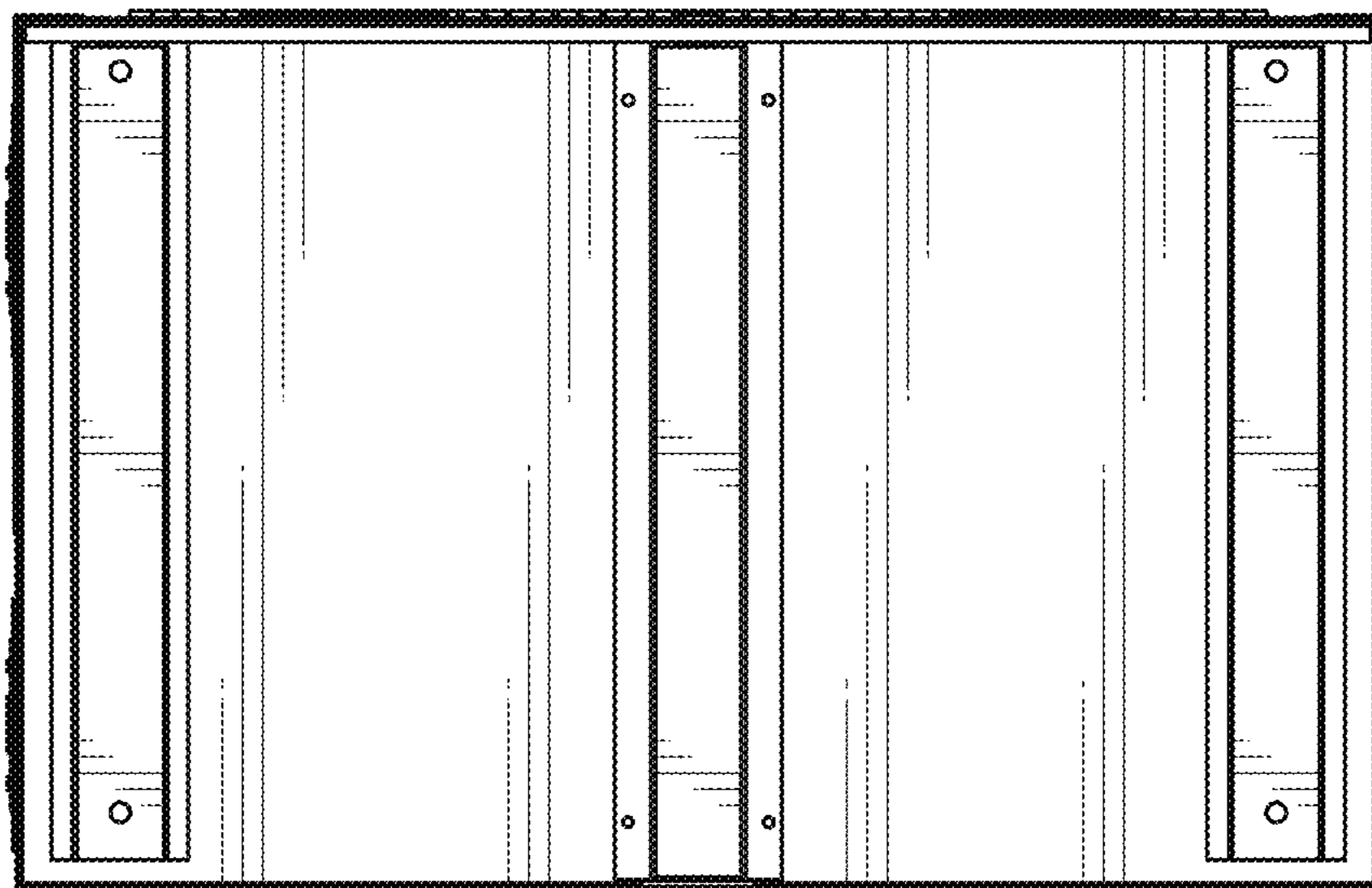


FIG. 13

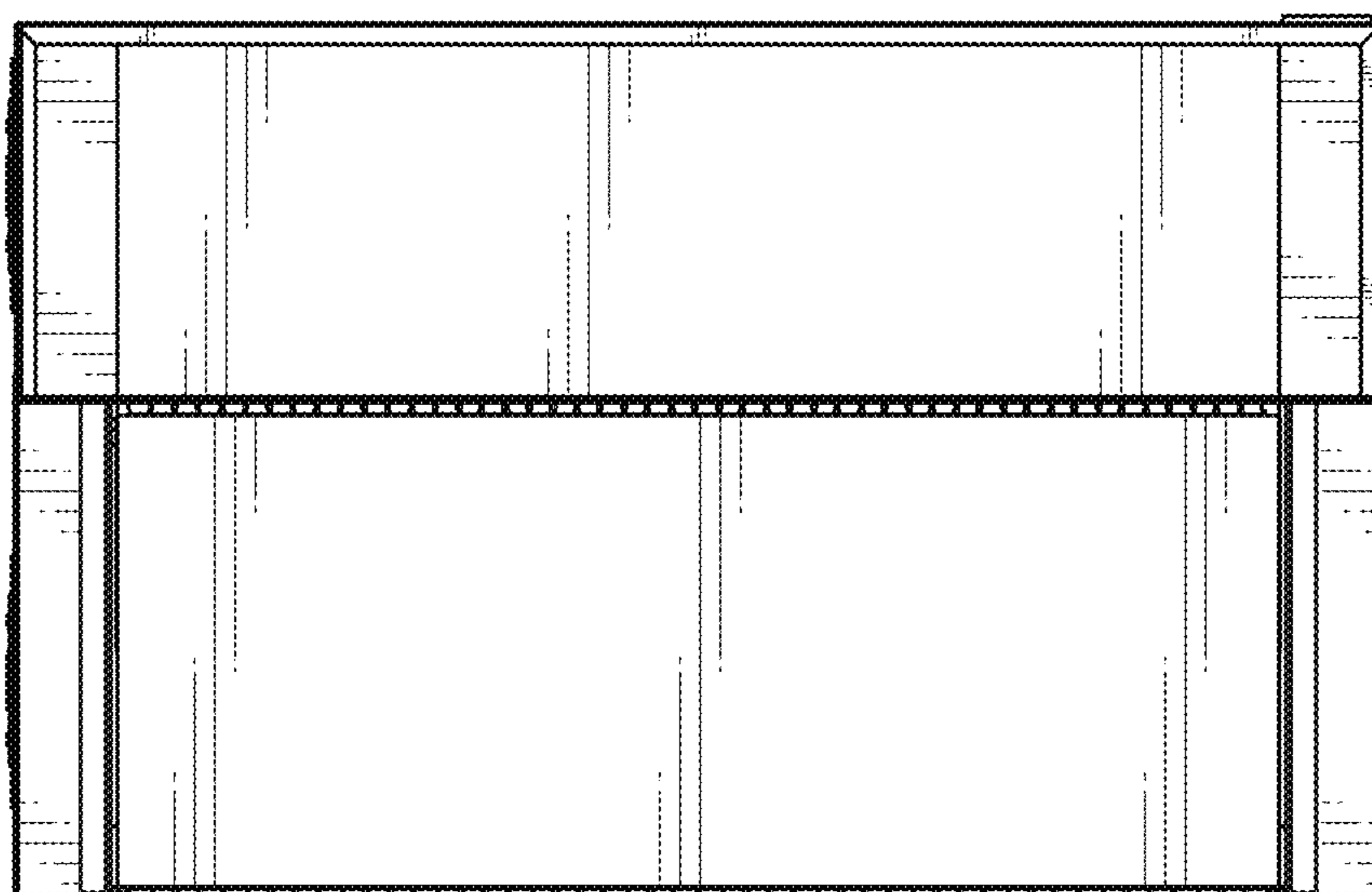


FIG. 14