



US00D809830S

(12) **United States Design Patent** (10) **Patent No.:** **US D809,830 S**
Moyer (45) **Date of Patent:** **** Feb. 13, 2018**

(54) **CHEST DRAWER SQUARE TOP**
(71) Applicant: **HMC Holdings, LLC**, Wampum, PA (US)
(72) Inventor: **David A. Moyer**, New Castle, PA (US)
(73) Assignee: **HMC Holdings, LLC**, Wampum, PA (US)

(**) Term: **15 Years**
(21) Appl. No.: **29/585,999**
(22) Filed: **Nov. 30, 2016**
(51) **LOC (11) Cl.** **06-04**
(52) **U.S. Cl.**
USPC **D6/667**
(58) **Field of Classification Search**
USPC D6/642, 655, 657, 660, 663, 664, 667,
D6/671, 671.1, 675.1, 675.3, 708;
D3/905; D13/184; D14/369; D18/55
CPC Y10T 29/493; F25D 11/04; F25D 23/063;
F25D 2323/061; F25D 2400/10
See application file for complete search history.

(56) **References Cited**
U.S. PATENT DOCUMENTS
D103,074 S * 2/1937 Morgan D6/671
D250,187 S * 11/1978 Zierhut D14/369
4,917,256 A * 4/1990 Kruck B29C 44/146
206/545

(Continued)

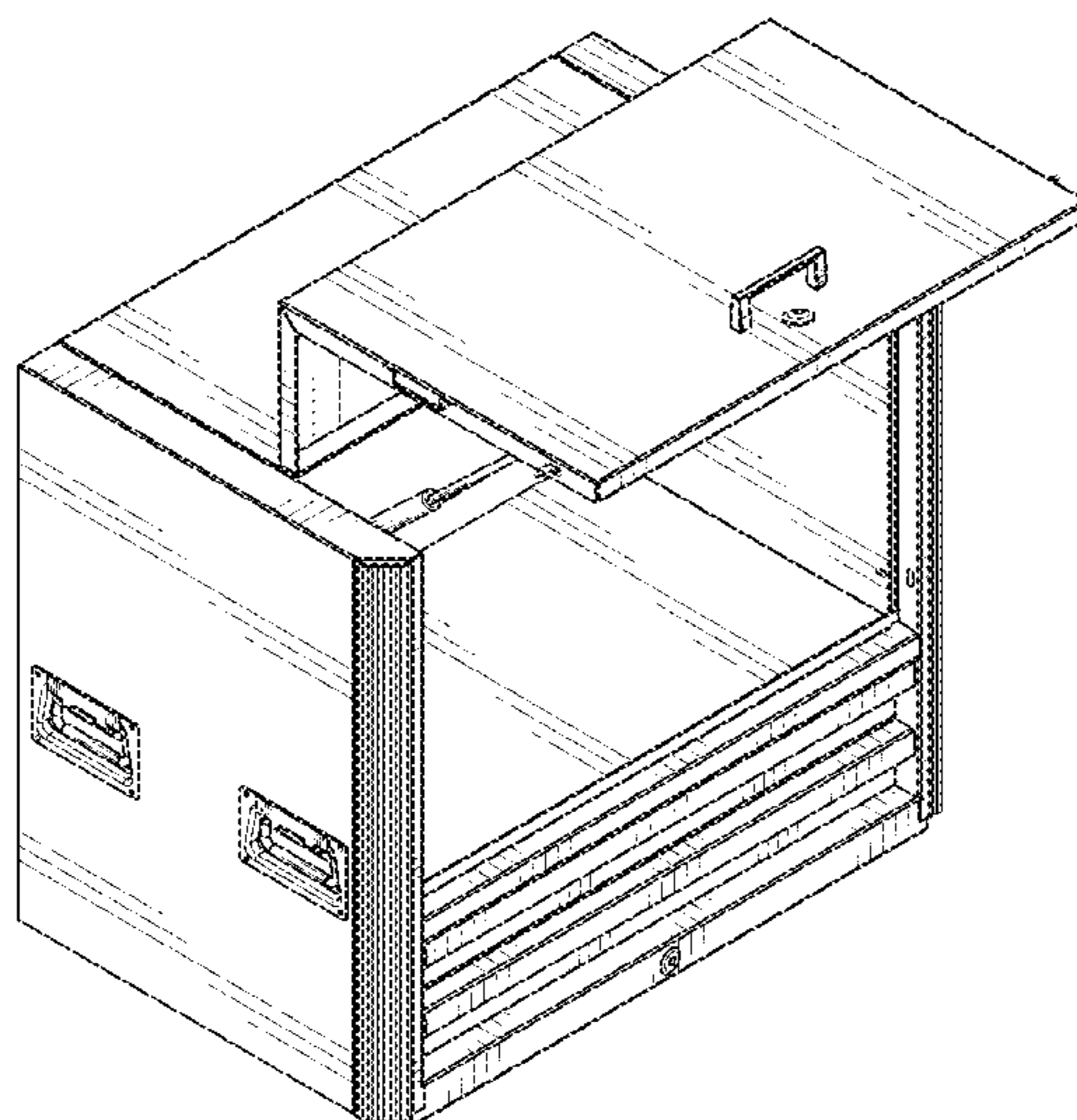
OTHER PUBLICATIONS
"Kobalt 22.5-inx41-in 9-Drawer Ball-Bearing Tool Chest (Stainless Steel)" Aug. 17, 2014, lowes.com, site visited Sep. 26, 2017
<<https://www.lowes.com/pd/Kobalt-22-5-in-x-41-in-9-Drawer-Ball-Bearing-Tool-Chest-Stainless-Steel/50175953>> (Year: 2014).*

Primary Examiner — Kevin K Rudzinski
Assistant Examiner — Paul D Bohannon
(74) *Attorney, Agent, or Firm* — Vangelis Economou;
Economou IP Law

(57) **CLAIM**
The ornamental design for a chest drawer square top, as shown and described.

DESCRIPTION
The patent or application file contains at least one drawing executed in color. Copies of this patent or patent application publication with color drawing(s) will be provided by the Office upon request and payment of the necessary fee.
FIG. 1 is a perspective view of the chest drawer square top; FIG. 2 is a perspective view of the chest drawer square top showing my new design as viewed from a higher top angle; FIG. 3 is a back elevational view thereof; FIG. 4 is a front elevational view thereof; FIG. 5 is a right side view thereof; FIG. 6 is a left side view thereof; FIG. 7 is a bottom view thereof; FIG. 8 is a top view thereof; FIG. 9 is a perspective view of the chest drawer square top showing the square top in a closed position; FIG. 10 is a front elevational view of the chest drawer square top showing the square top in a closed position; FIG. 11 is a back elevational view of the chest drawer square top showing the square top in a closed position; FIG. 12 is a right side view thereof showing the square top in a closed position; FIG. 13 is a left side view thereof showing the square top in a closed position; FIG. 14 is a bottom view thereof showing the square top in a closed position; and, FIG. 15 is a top view thereof showing the square top in a closed position.

1 Claim, 9 Drawing Sheets
(5 of 9 Drawing Sheet(s) Filed in Color)



(56)

References Cited

U.S. PATENT DOCUMENTS

D326,110	S *	5/1992	Tashiro	D18/55
D329,250	S *	9/1992	Matsumoto	D18/55
D388,975	S *	1/1998	Naas	D6/642
D430,426	S *	9/2000	Bieker	D3/905
D471,734	S *	3/2003	Goss	D6/657
D563,692	S *	3/2008	DeCarlo	D6/663
D619,824	S *	7/2010	Preußner-Pfaff	D6/667
7,937,958	B2 *	5/2011	Shinya	F25D 11/04
				62/115
D639,579	S *	6/2011	Sexton	D6/660
D651,429	S *	1/2012	Ussen	D6/671.1
D732,853	S *	6/2015	Engebretson	D6/657
D732,854	S *	6/2015	Engebretson	D6/657
D732,857	S *	6/2015	Perkins	D6/667
D763,603	S *	8/2016	Bartelmuss	D6/664
D772,185	S *	11/2016	Moninski	D13/184
D773,215	S *	12/2016	Kappler	D6/671
D782,225	S *	3/2017	Duggin	D6/663
D795,215	S *	8/2017	Huang	D13/184
2017/0190472	A1 *	7/2017	Milburn	B65D 25/2808

* cited by examiner

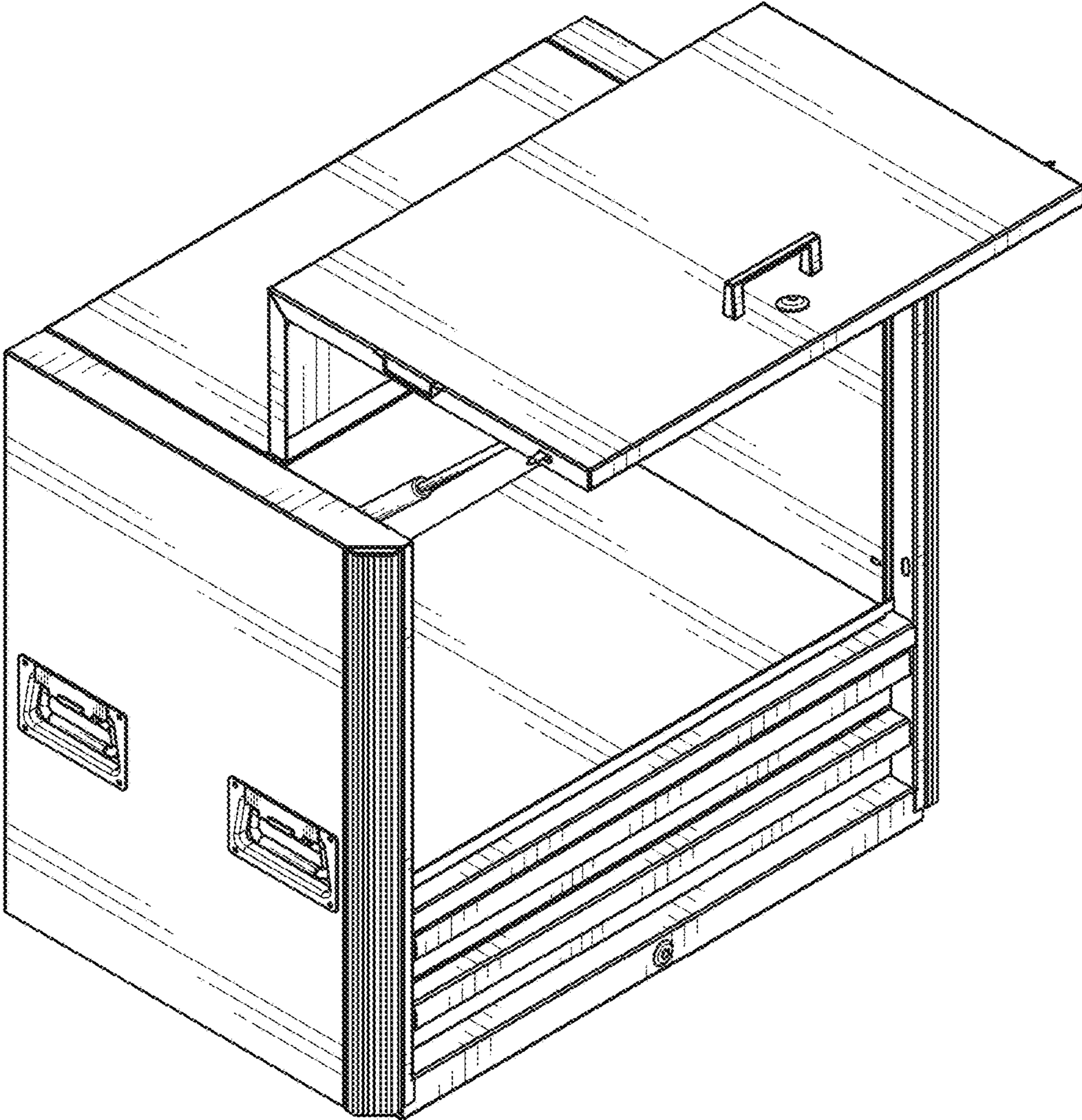


FIG. 1

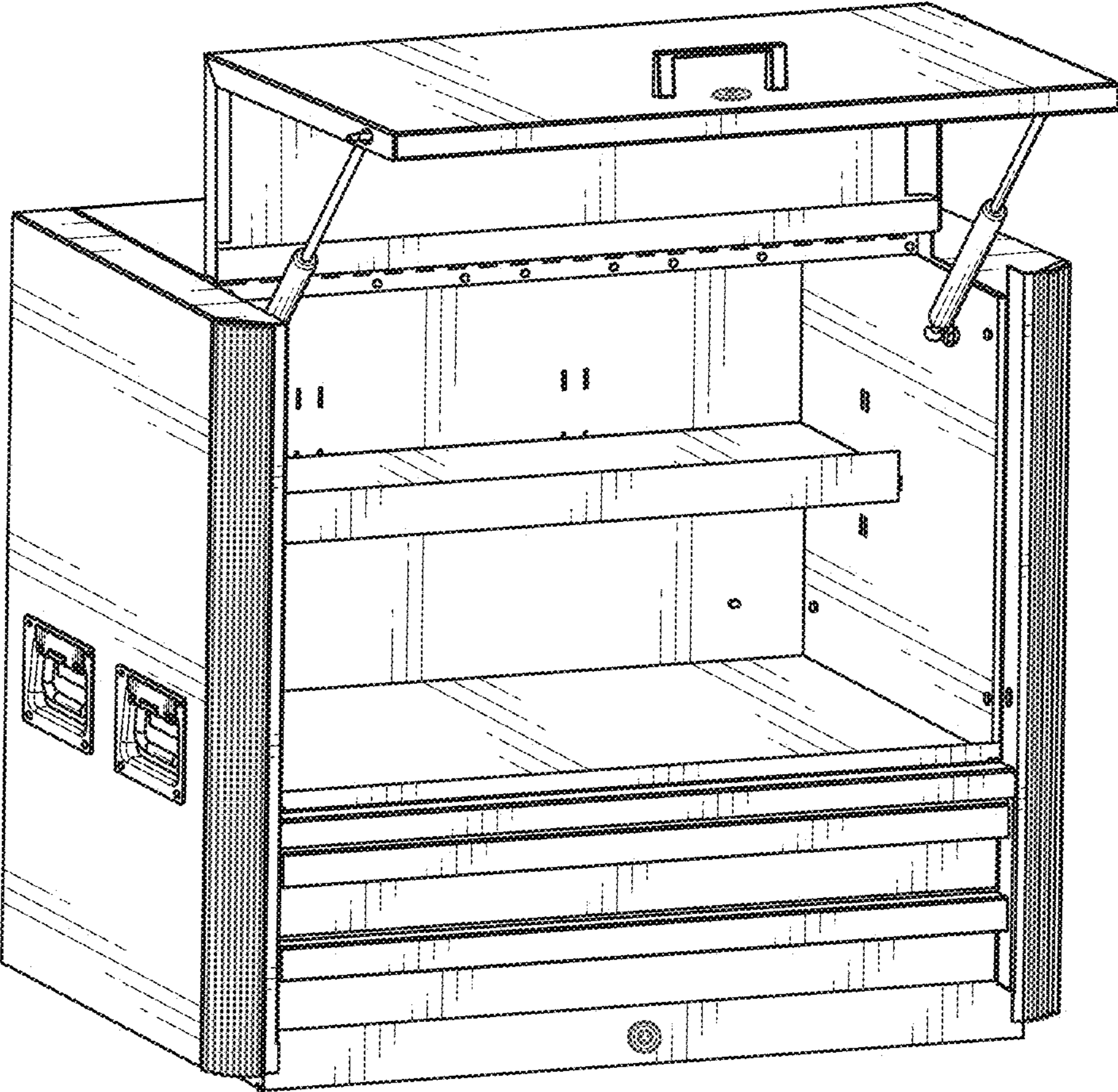


FIG. 2

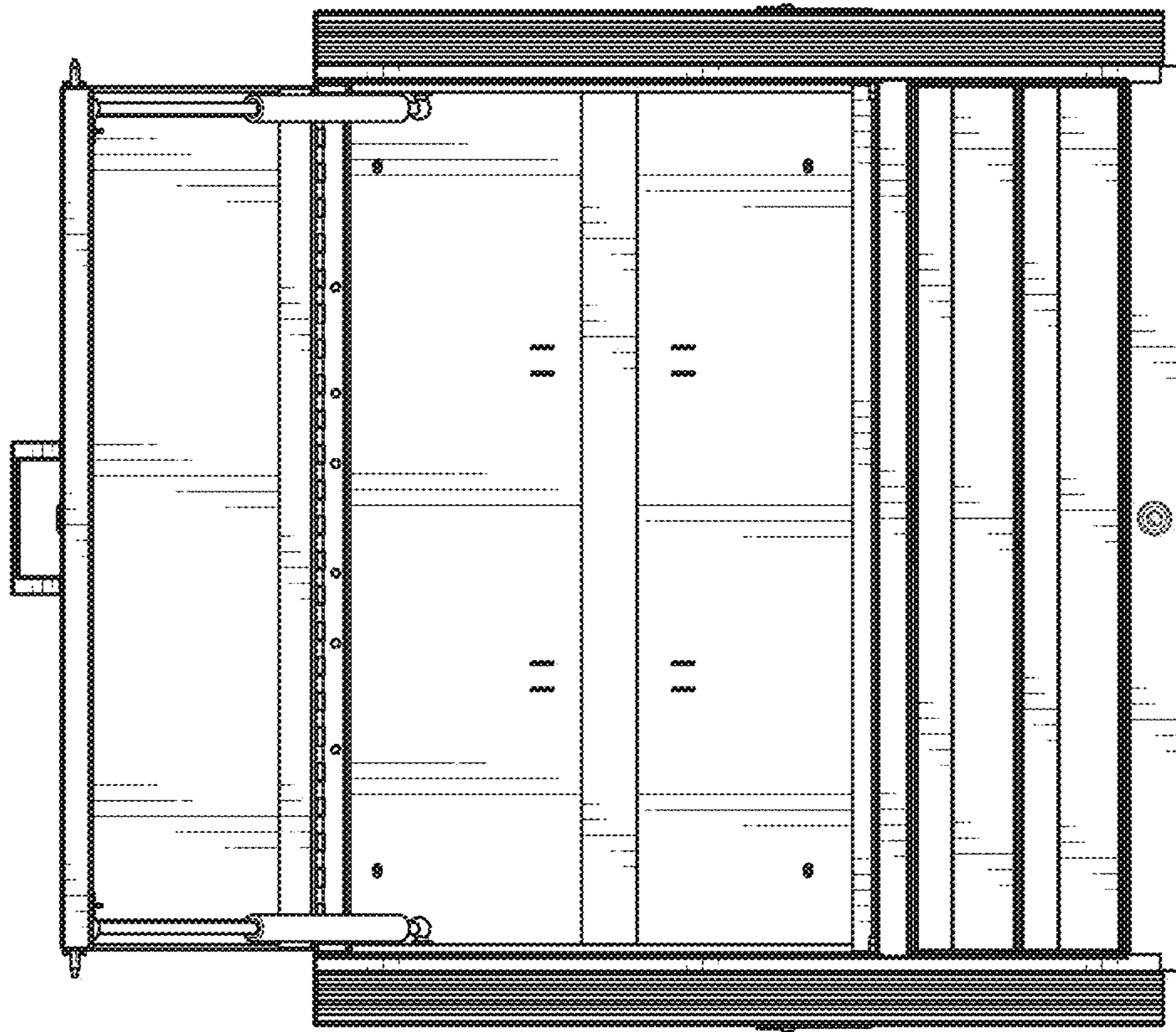


FIG. 4

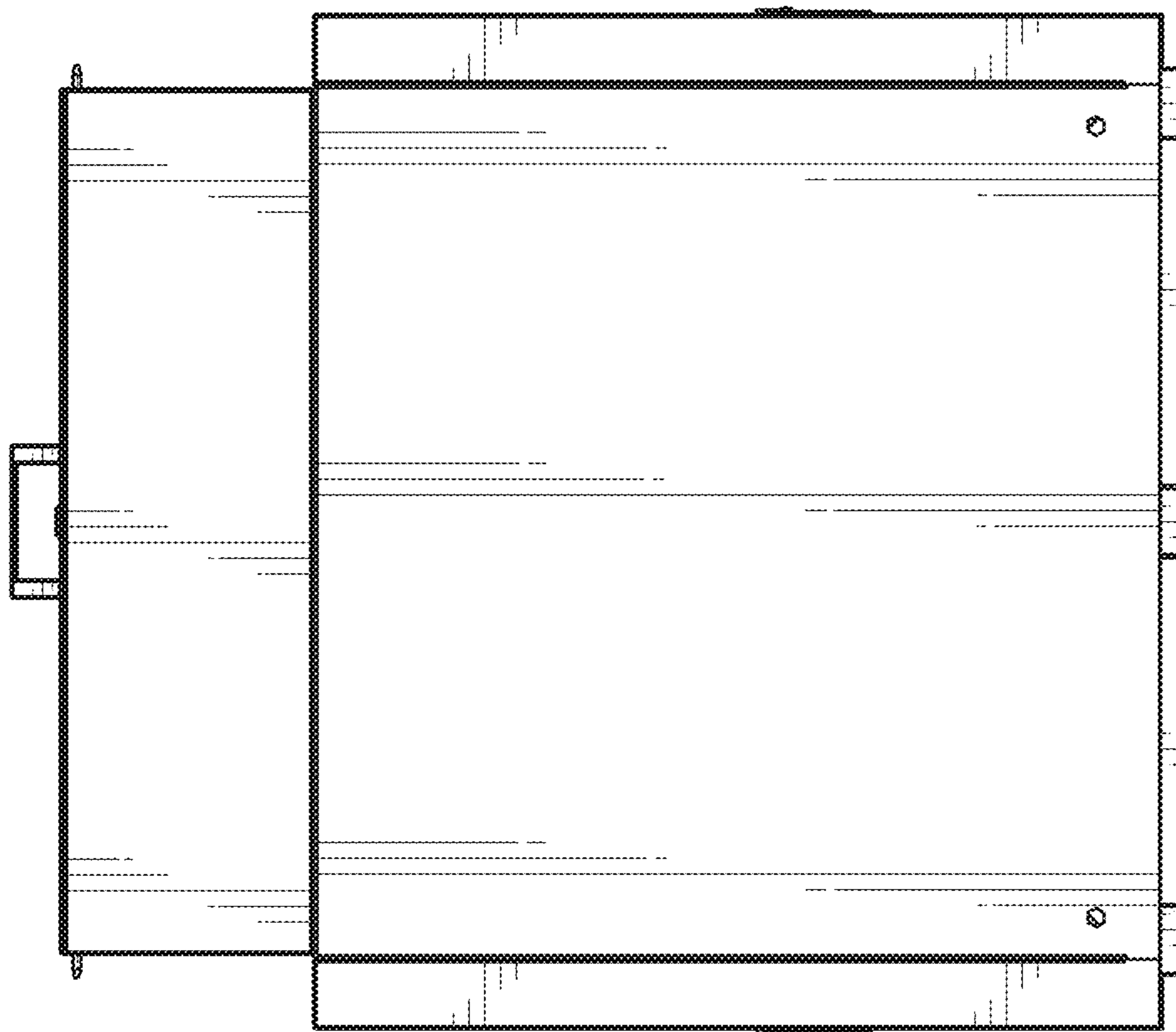


FIG. 3

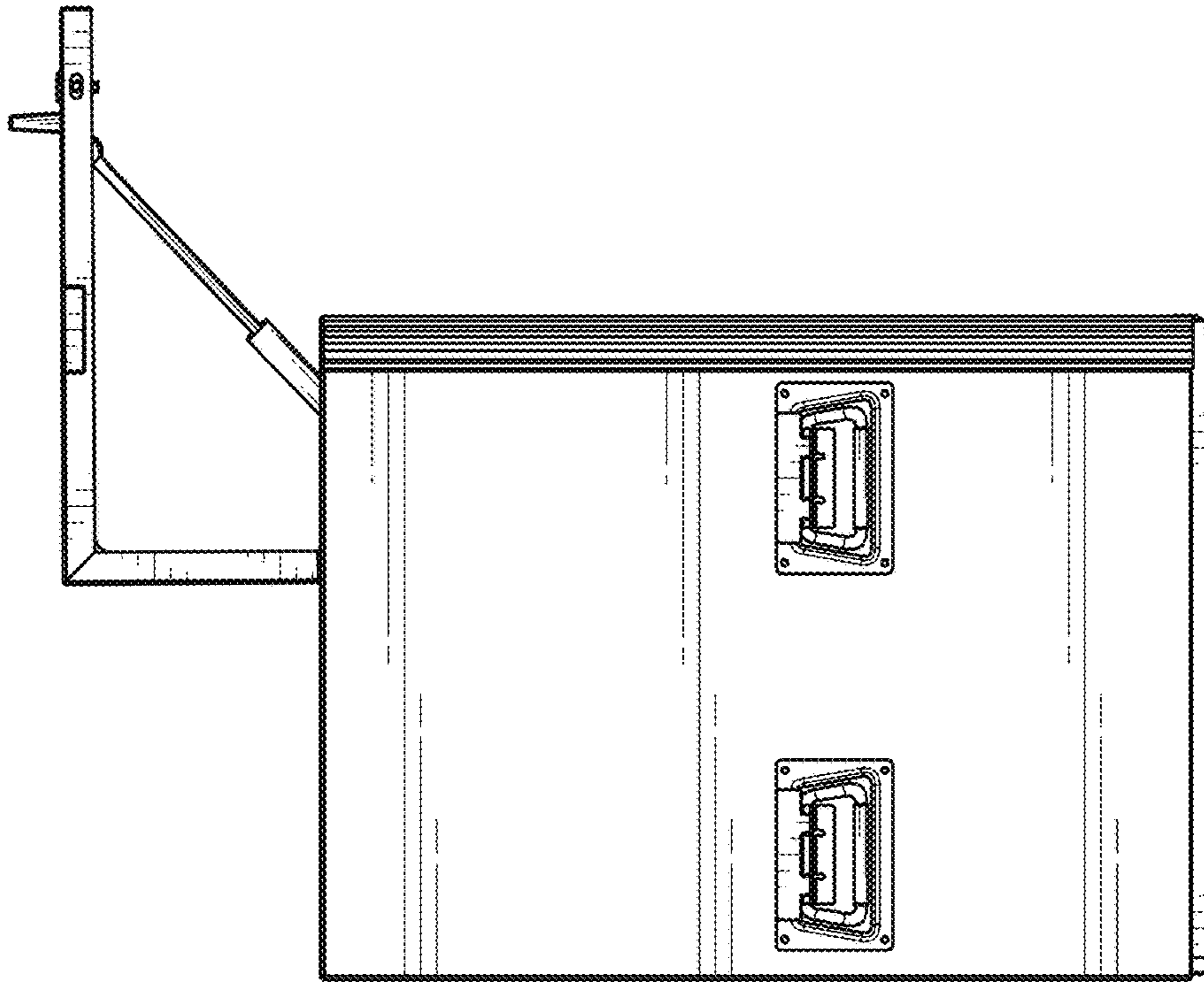


FIG. 6

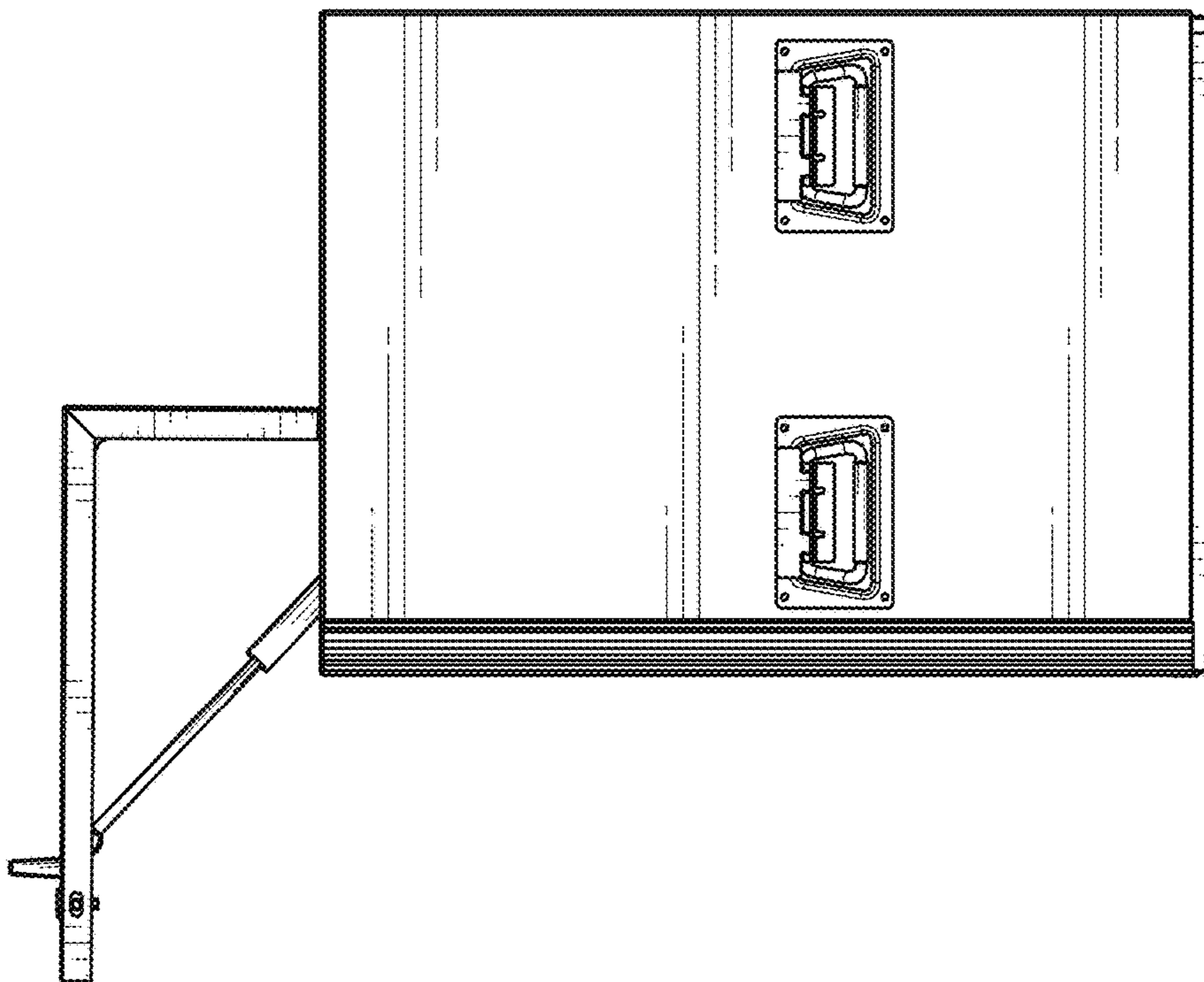


FIG. 5

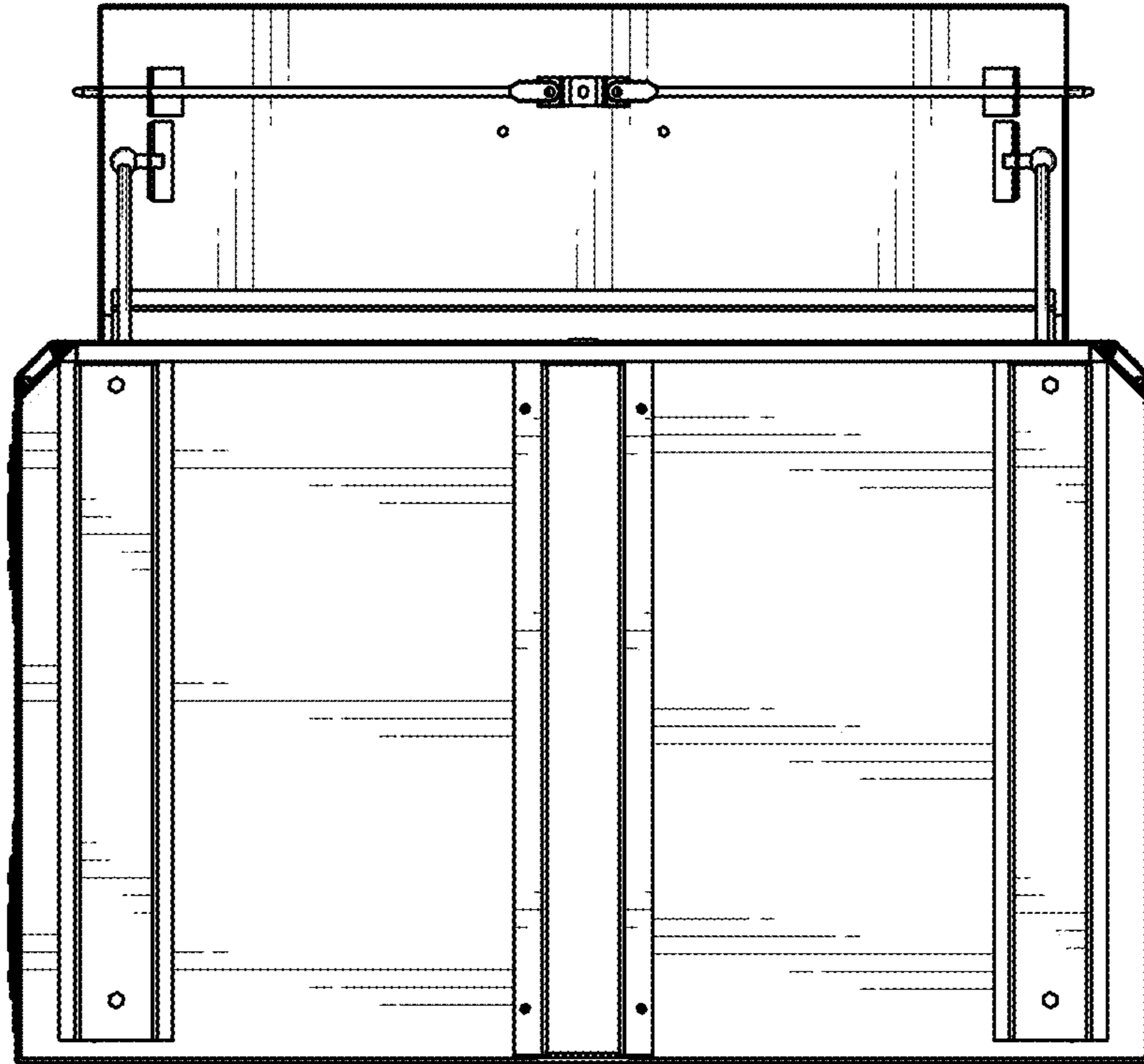


FIG. 7

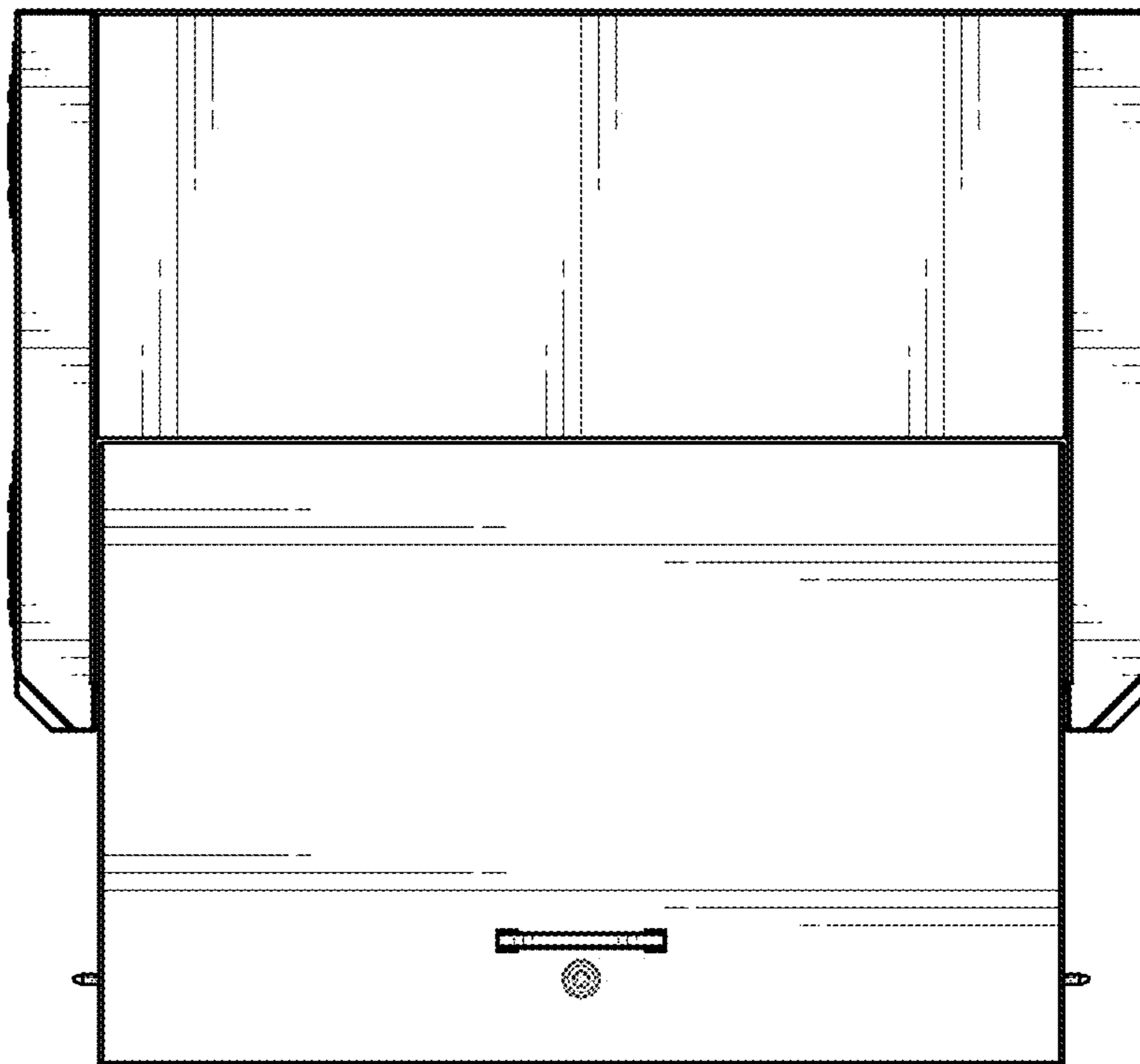


FIG. 8

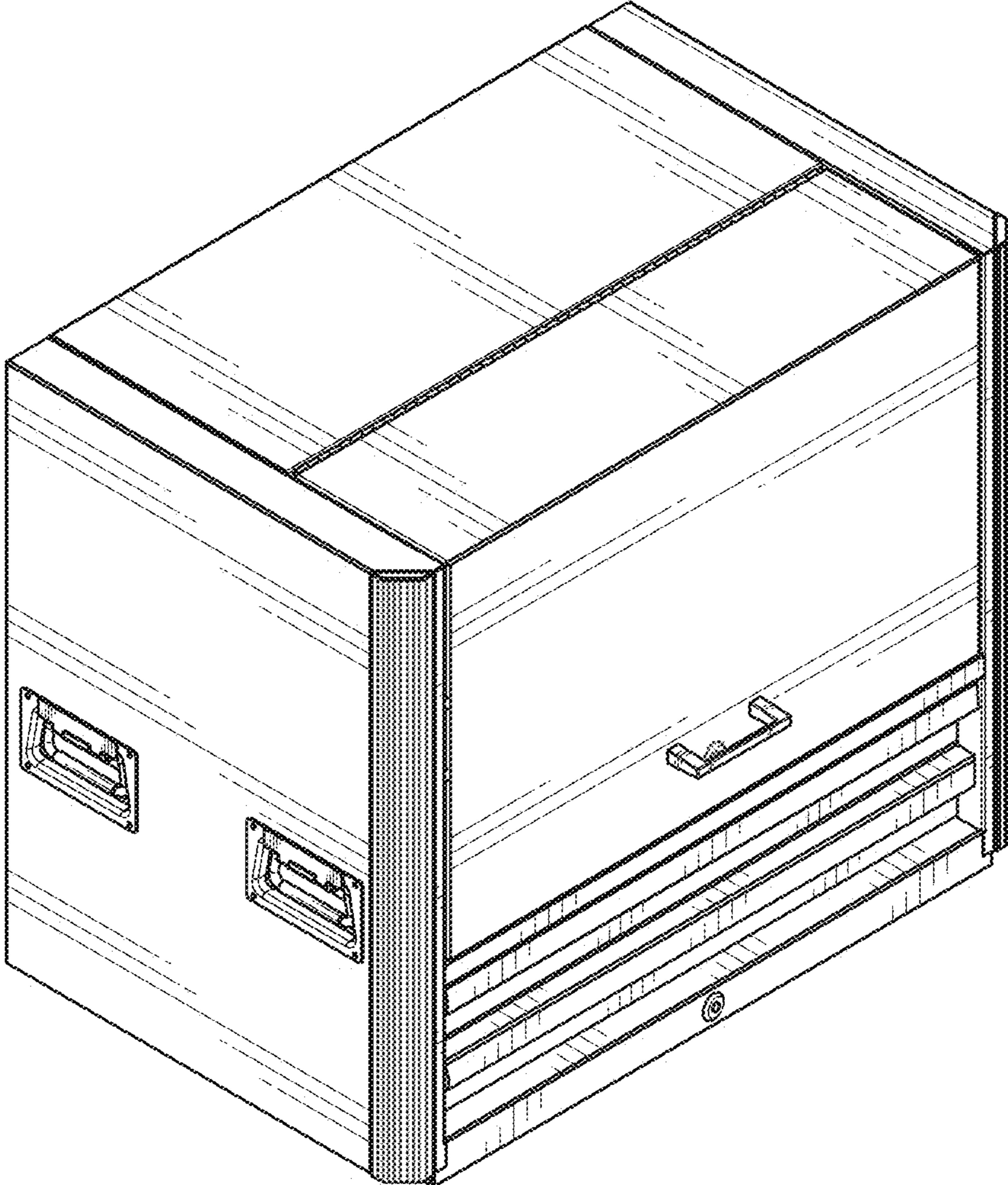


FIG. 9

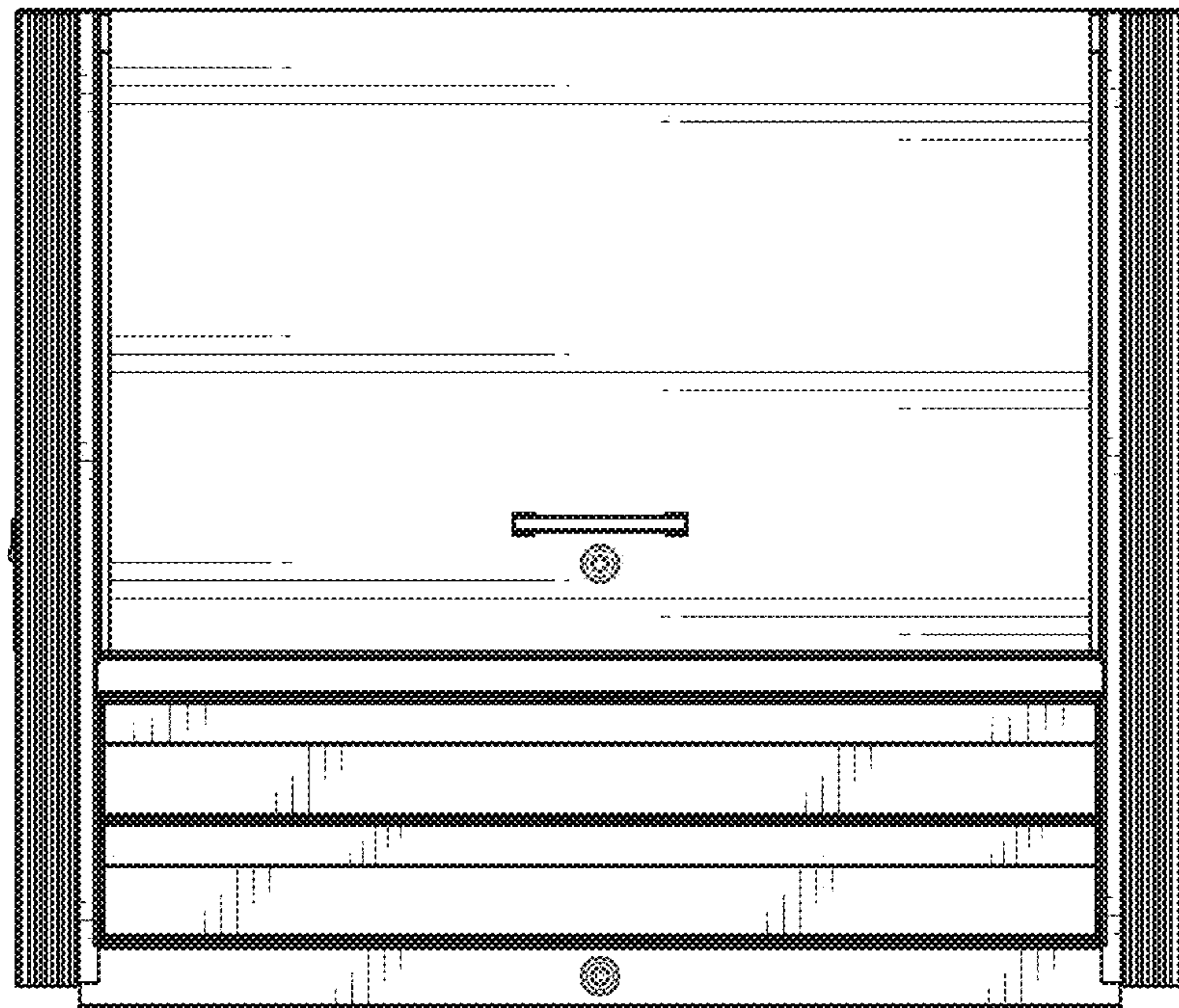


FIG. 10

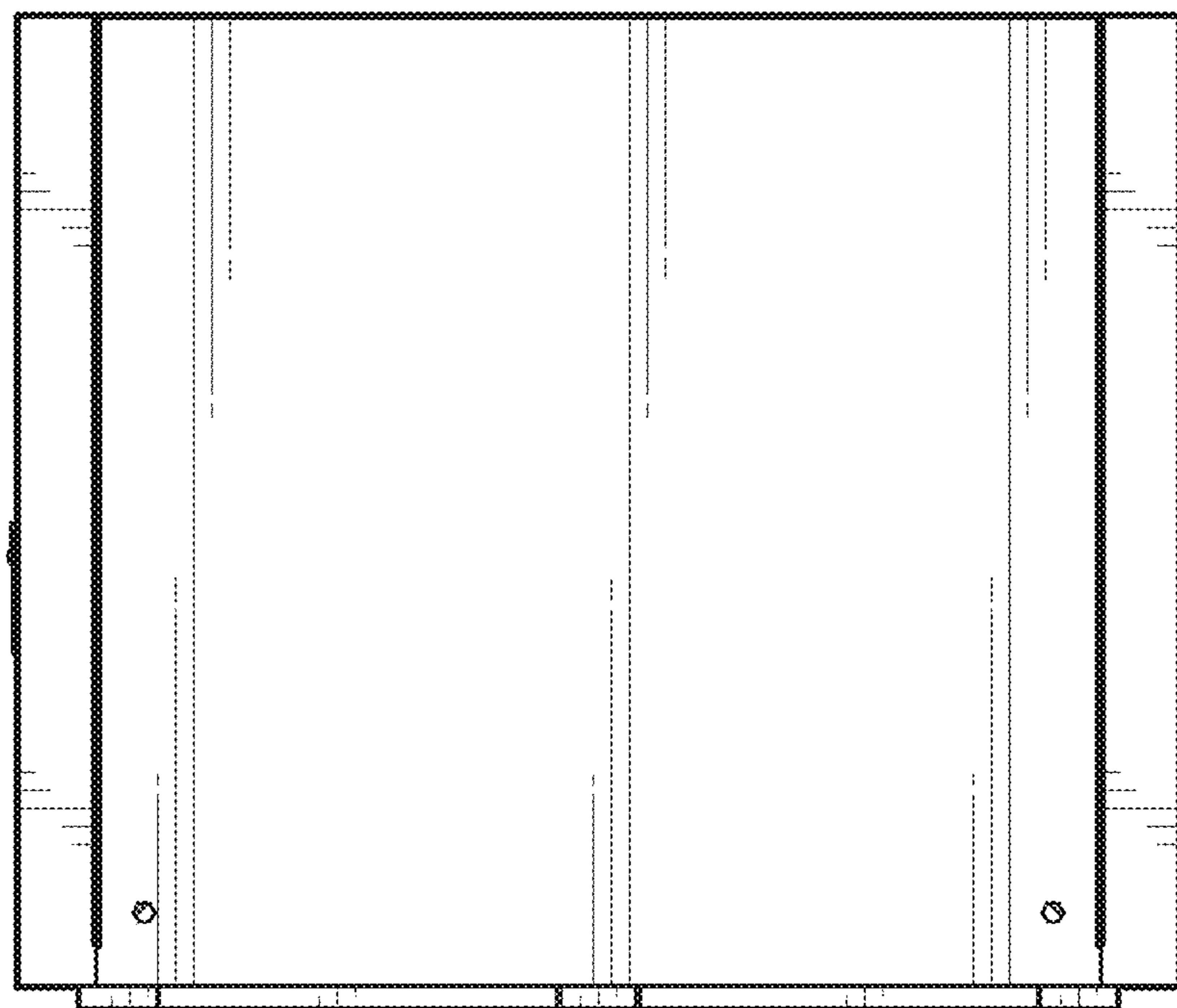


FIG. 11

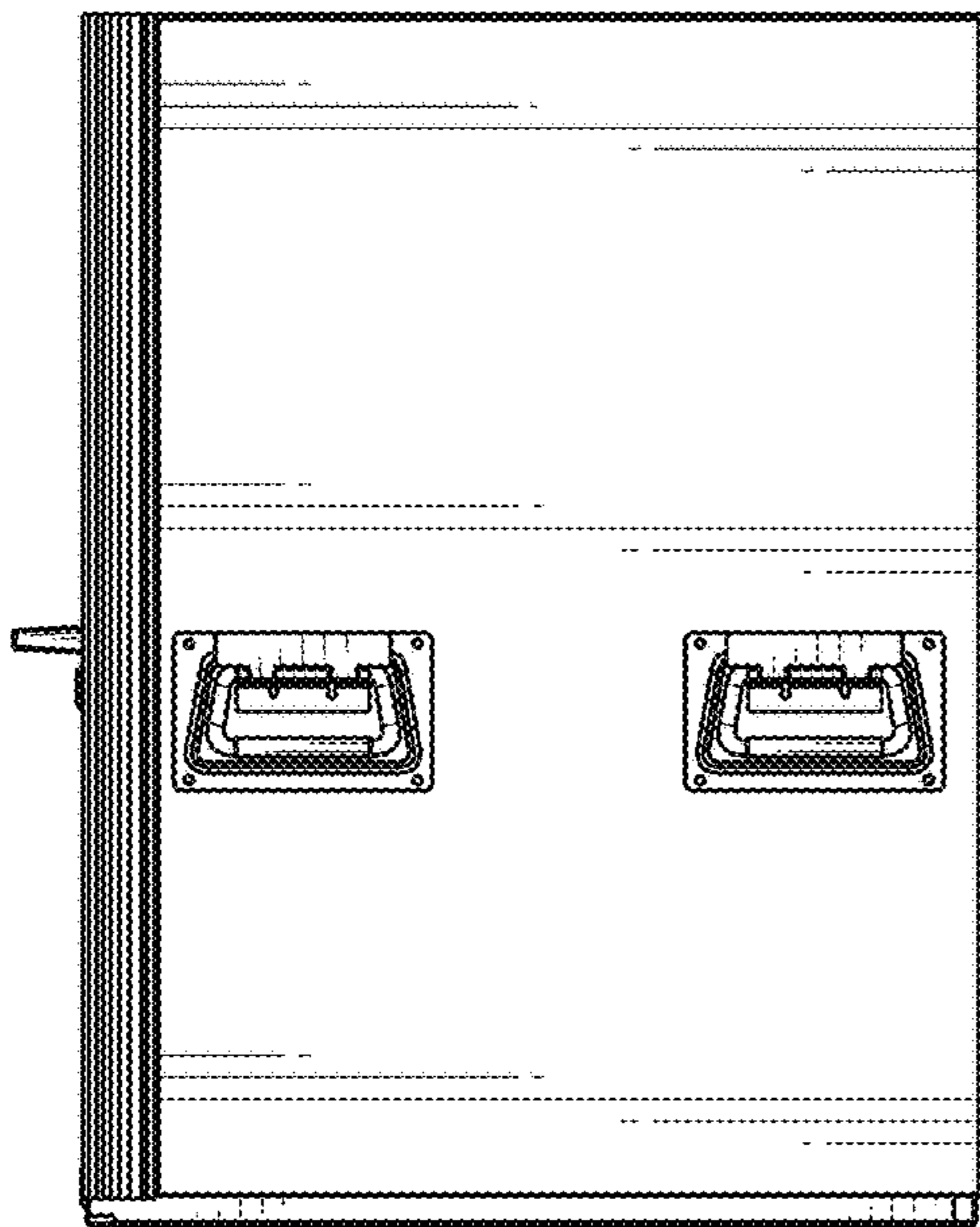


FIG. 12

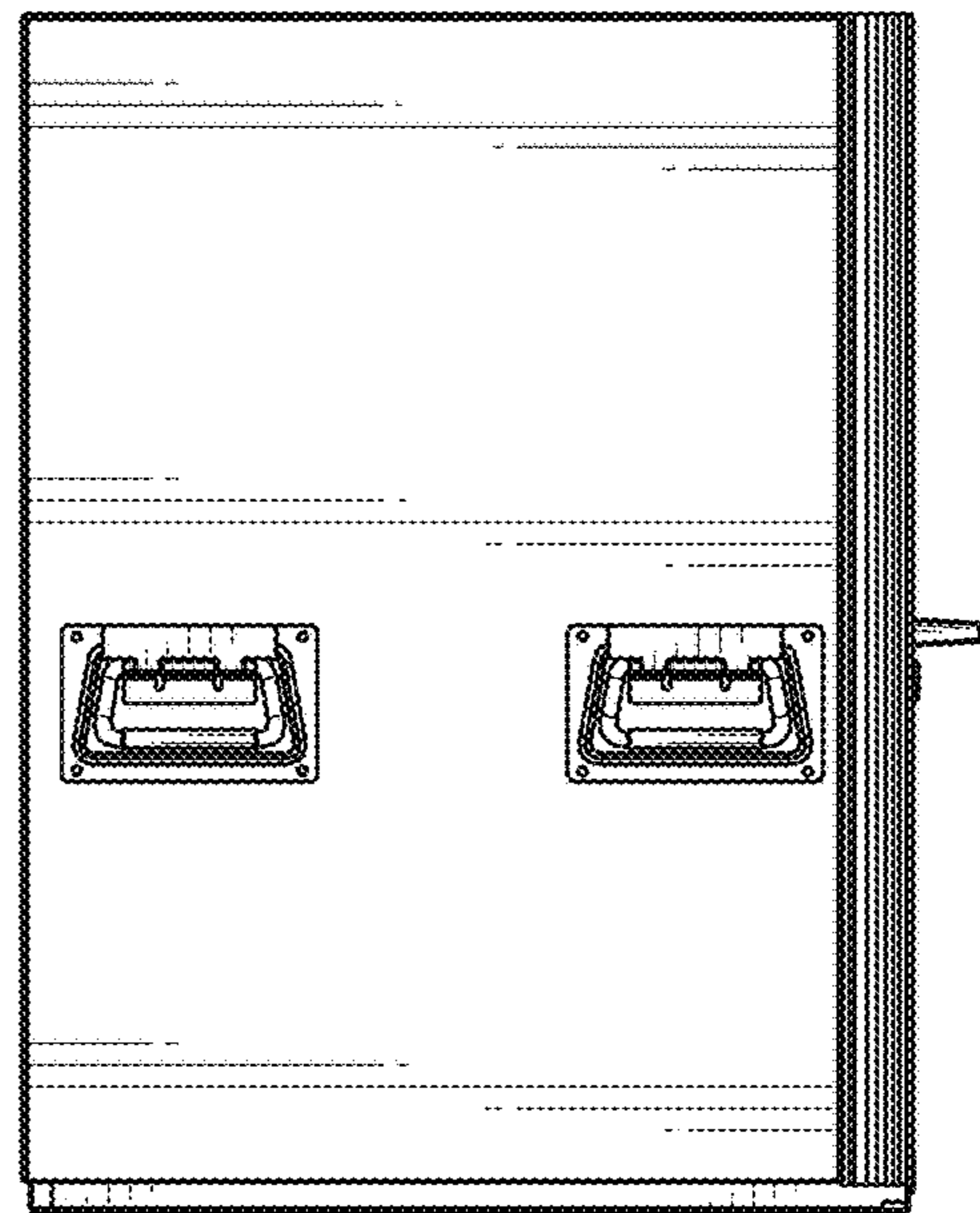


FIG. 13

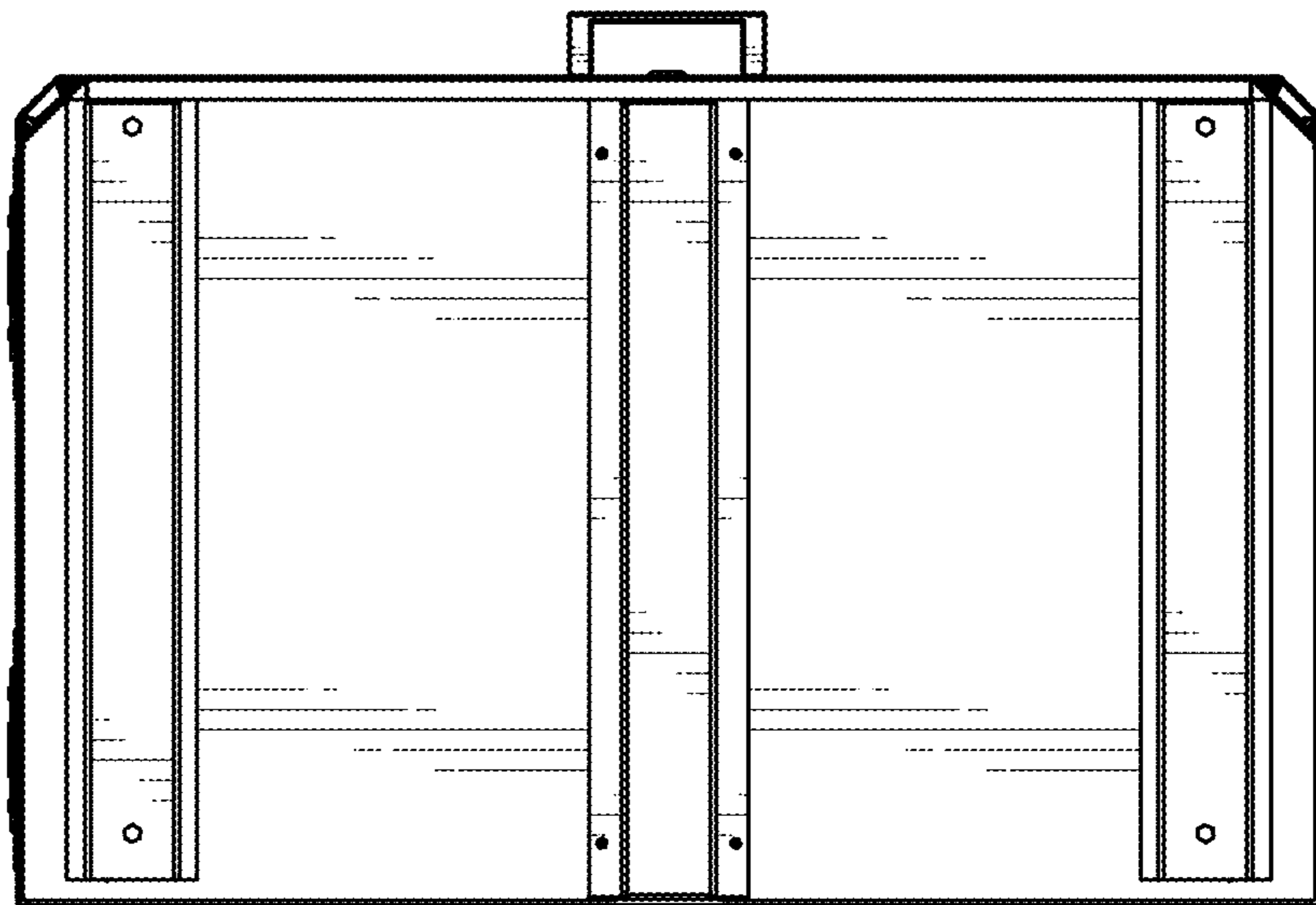


FIG. 14

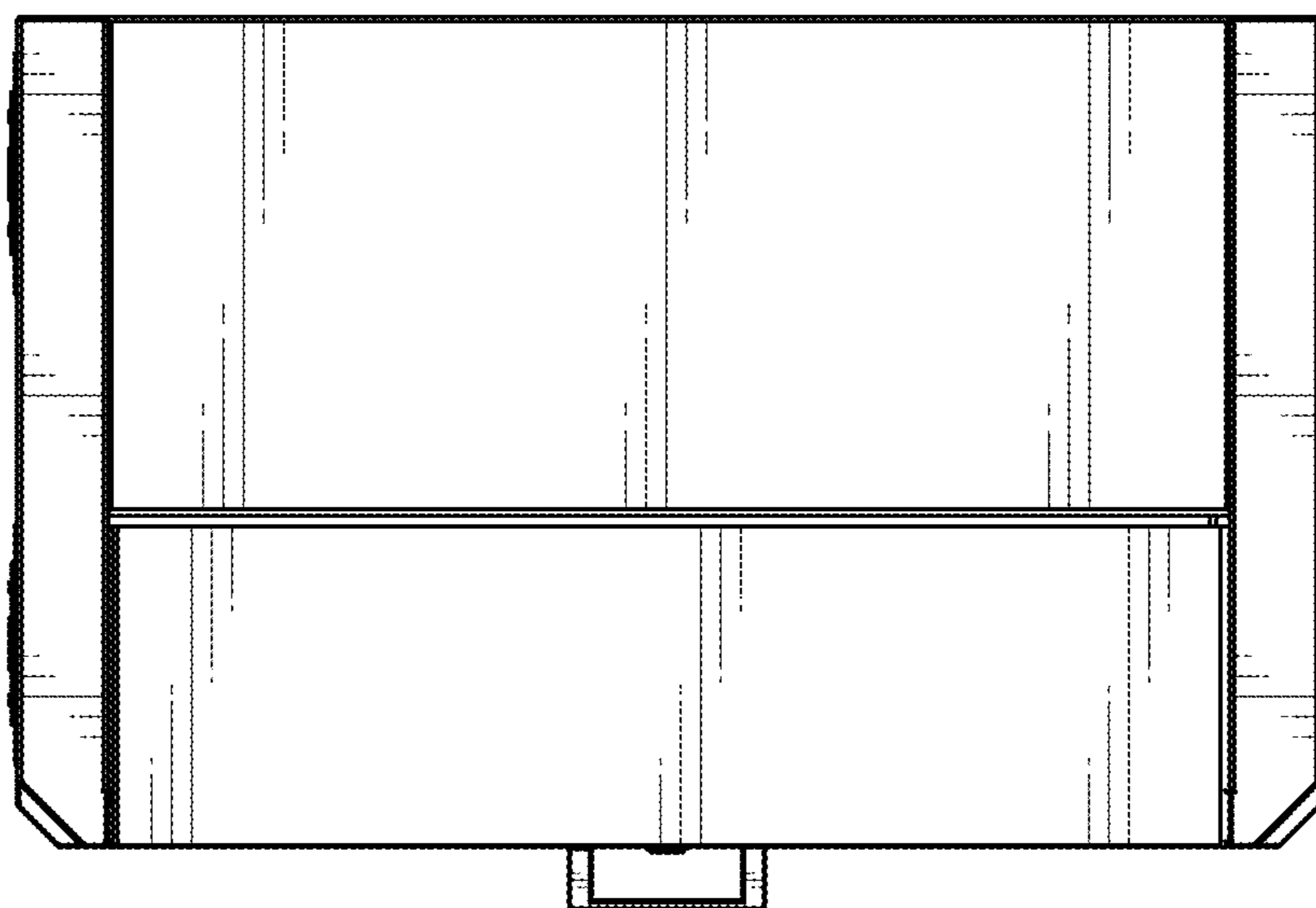


FIG. 15