



US00D809827S

(12) **United States Design Patent**
Carr et al.

(10) **Patent No.:** **US D809,827 S**
(45) **Date of Patent:** **** Feb. 13, 2018**

(54) **DEPLOYABLE CAR SEAT COVER**

(71) Applicant: **Who-Rae Australia, LLC**, Compton, CA (US)

(72) Inventors: **Jason David Carr**, Bentleigh East (AU); **Mark Rayman Pawsey**, Hawthorn East (AU)

(73) Assignee: **Who-Rae Australia, LLC**, Compton, CA (US)

(**) Term: **15 Years**

(21) Appl. No.: **29/547,248**

(22) Filed: **Dec. 2, 2015**

(51) **LOC (11) Cl.** **06-13**

(52) **U.S. Cl.**
USPC **D6/611**

(58) **Field of Classification Search**

USPC D6/334-336, 349, 351, 352, 358, 360, D6/364, 365, 366, 374, 375, 379, 380, D6/611, 657, 662.1, 672, 674, 675, 675.1, D6/675.3, 683, 683.1, 685, 691, 691.5, D6/702, 708, 708.2, 708.21, 708.25, 716, D6/716.1-716.4; D3/304, 307, 309
CPC A47C 1/143; A47C 31/00; A47C 31/11; A47C 31/08; A47C 31/10; A47C 31/105; A47C 31/113; A47C 31/116; A47C 4/28;

(Continued)

(56) **References Cited**

U.S. PATENT DOCUMENTS

5,121,938 A * 6/1992 Gross A47C 31/11 280/304.1
5,441,789 A * 8/1995 Walker A47C 1/143 297/223

(Continued)

OTHER PUBLICATIONS

“Freddie and Sebbie Car Seat Protector, Non Toxic Child or Baby Auto Seat Protector Mat, Your Perfect Protection For Car Seats”

Aug. 21, 2013, amazon.com, site visited Jan. 10, 2017 <https://www.amazon.com/Freddie-Sebbie-Car-Seat-Protector/dp/B00CJD5Y4I/ref=cm_cr_ar_p_d_product_top?ie=UTF8>.*

(Continued)

Primary Examiner — Kevin K Rudzinski

Assistant Examiner — Paul D Bohannon

(74) *Attorney, Agent, or Firm* — Wood Herron & Evans LLP

(57) **CLAIM**

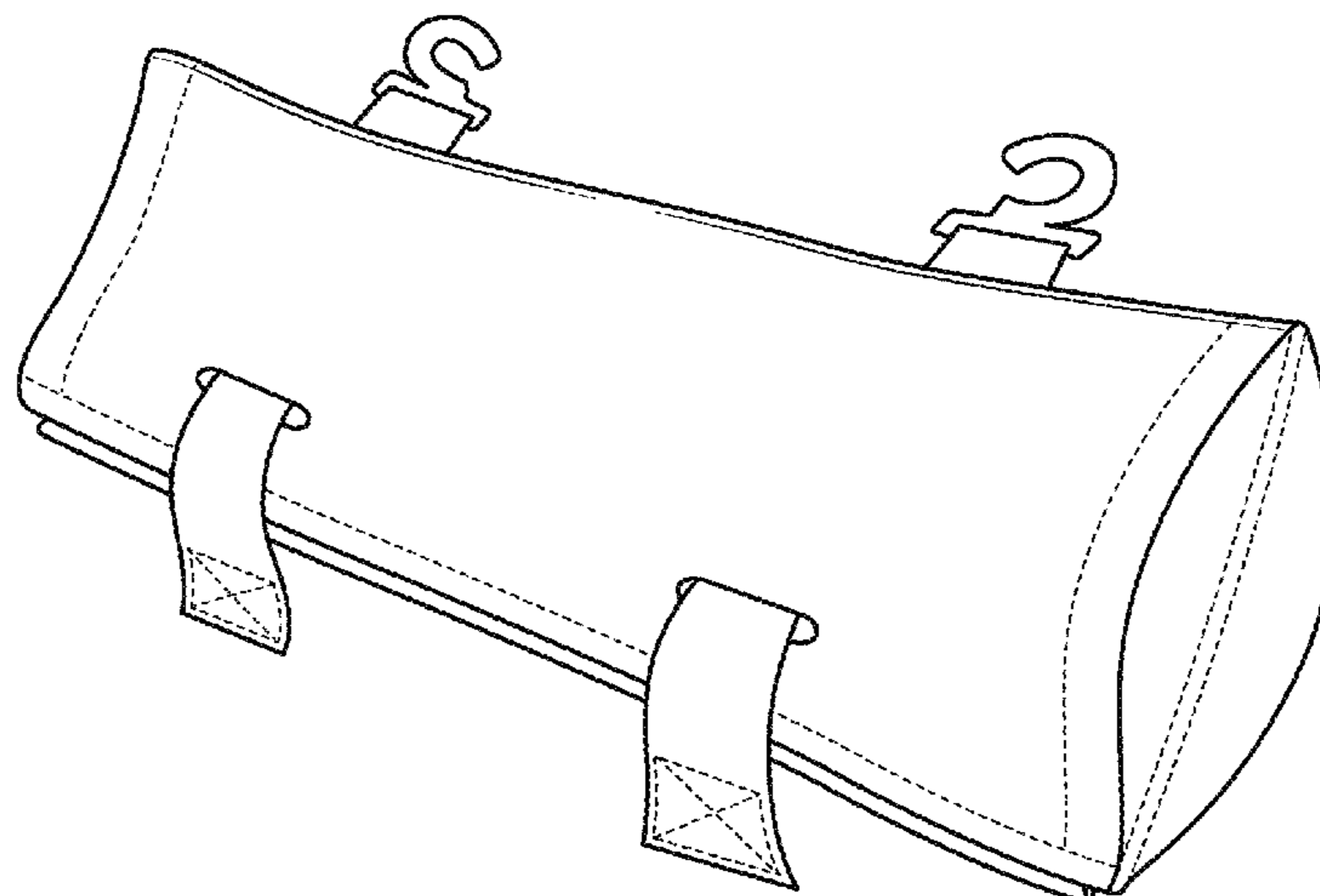
We claim the ornamental design for deployable car seat cover, as shown and described.

DESCRIPTION

FIG. 1 is a front perspective view of a first embodiment of our new design for a deployable car seat cover; FIG. 2 is a front view thereof; FIG. 3 is a side view thereof; FIG. 4 is a back view thereof; and FIG. 5 is a top view thereof. FIG. 6 is a front perspective view of a second embodiment of our new design for a deployable car seat cover; FIG. 7 is a front view thereof; FIG. 8 is a side view thereof; FIG. 9 is a back view thereof; and FIG. 10 is a top view thereof. FIG. 11 is a front perspective view of a third embodiment of our new design for a deployable car seat cover; FIG. 12 is a front view thereof; FIG. 13 is a side view thereof; FIG. 14 is a back view thereof; and, FIG. 15 is a top view thereof.

The broken lines shown on the front and rear of the design illustrate stitching and form part of the claimed design. The two parallel broken lines on the sides of the design illustrate portions of the car seat cover that form no part of the claimed design.

1 Claim, 6 Drawing Sheets



(58) **Field of Classification Search**

CPC A47C 4/283; A47C 4/286; A47C 4/30;
 A47C 4/32; A47C 4/34; A47C 4/36;
 A47C 4/38; A47C 4/40; A47C 4/42;
 A47C 4/44; A47C 4/46; A47C 4/48;
 A47C 4/50; A47C 4/54; A47C 5/00;
 A47C 5/005; A47C 5/02; A47C 7/02;
 A47C 7/36; A47C 7/50; A47C 7/54;
 A47C 7/62; A47C 7/66; A47C 17/00;
 A47C 17/045; A47C 17/22; A47C 17/86;
 A47C 19/205; A47C 21/00; A47C
 21/022; A47C 21/026; A47C 21/028;
 A47C 21/042; A47C 27/001; A47C
 27/002; A47C 27/003; A47C 27/005;
 A47C 27/006; A47C 27/007; A47C
 27/008; A47C 27/05; A47C 27/053; A47C
 27/056; A47C 27/067; B60N 2/60; B60N
 2/2881; B60N 2/6018; B60N 2/6036

See application file for complete search history.

(56) **References Cited**

U.S. PATENT DOCUMENTS

5,724,698 A * 3/1998 Mondragon A47K 10/02
 15/209.1
 6,405,909 B1 * 6/2002 Burnett B60R 7/043
 211/64
 6,659,551 B1 * 12/2003 Arenas B60N 2/6063
 160/23.1
 D774,804 S * 12/2016 Beauliere D6/604

2001/0022457 A1* 9/2001 Voris B60N 2/2881
 297/219.12
 2002/0063455 A1* 5/2002 Self A47C 1/14
 297/229
 2007/0262624 A1* 11/2007 Snedeker A47C 31/11
 297/219.1
 2008/0231096 A1* 9/2008 Romero A47C 31/11
 297/219.1
 2014/0306499 A1* 10/2014 Wright G09F 21/045
 297/223
 2015/0069803 A1* 3/2015 Krankkala B60N 2/60
 297/224
 2015/0069804 A1* 3/2015 Long B60N 2/6036
 297/228.13
 2015/0097402 A1* 4/2015 Bee A47C 31/113
 297/229

OTHER PUBLICATIONS

“PoppyTootToot Vinyl Child Car Seat Protector with Top Straps, Adjustable Back Panel and Storage Pockets” Sep. 7, 2015, amazon.com, site visited Feb. 10, 2017 <https://www.amazon.com/PoppyTootToot-Protector-Adjustable-Storage-Pockets/dp/B00YZVVNGU/ref=cm_cr_ar_p_d_product_top?ie=UTF8>.*
 “Pet Dog Cat Anti-Dirty Waterproof Car Seat Cover Hammock Carrier Protector Mat” Jul. 22, 2015, ebay.com, site visited Feb. 10, 2017 <<http://www.ebay.com/itm/272195609566>>.*
 “Auto Pet SUV Car seat cover / waterproof car seat protector for pets non-slip bottom ivory color” Jun. 23, 2014, alibaba.com, site visited Feb. 10, 2017 <https://www.alibaba.com/product-detail/Auto-Pet-SUV-Car-seat-cover_1925920087.html>.*

* cited by examiner

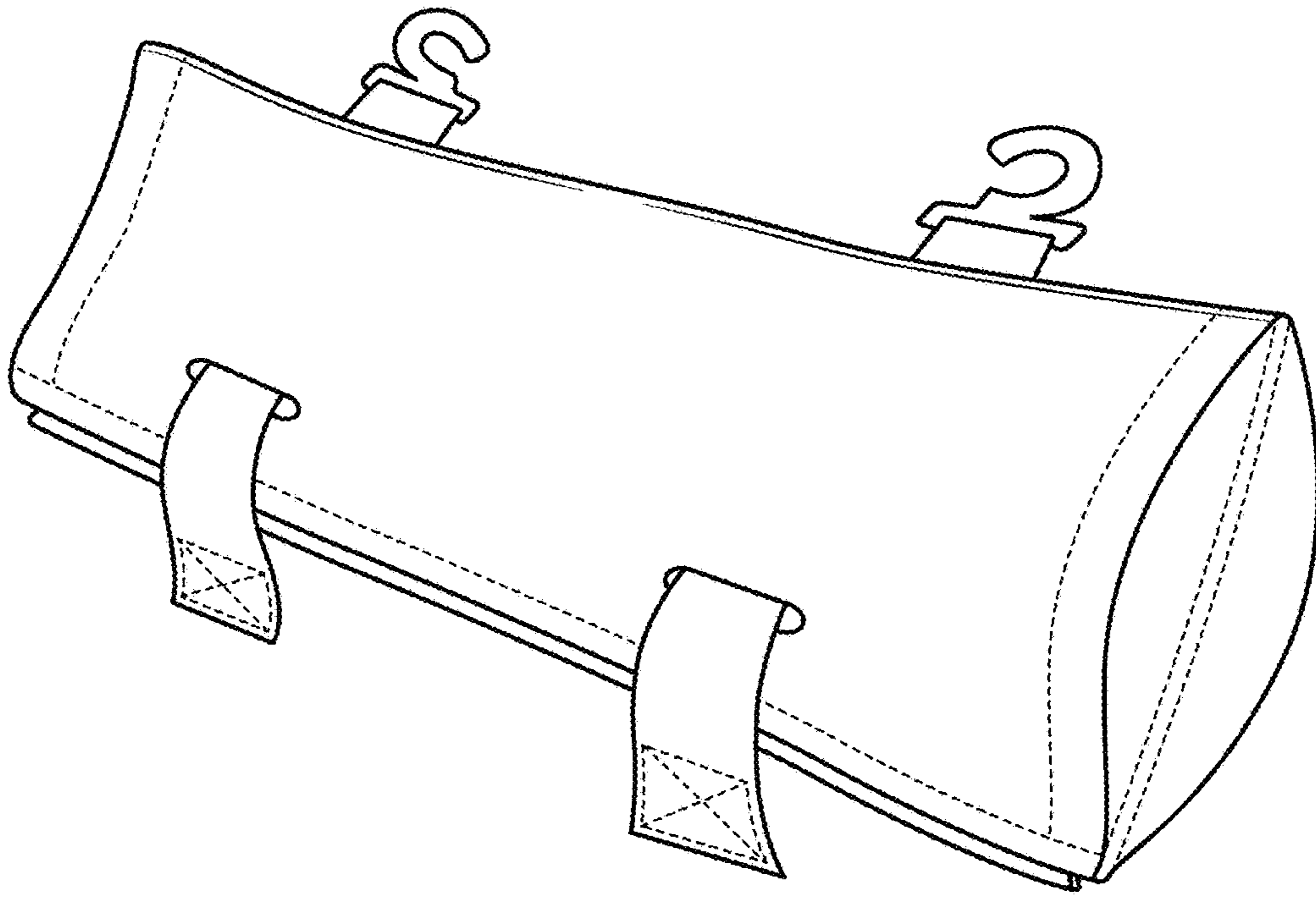


Figure 1

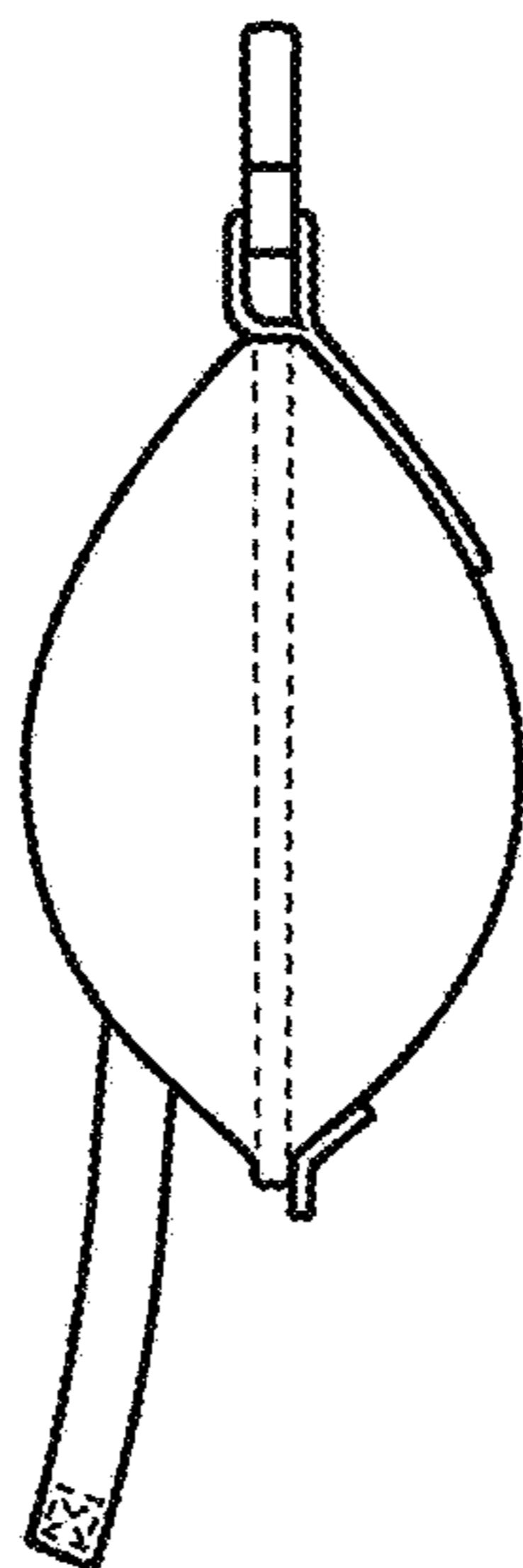


Figure 3

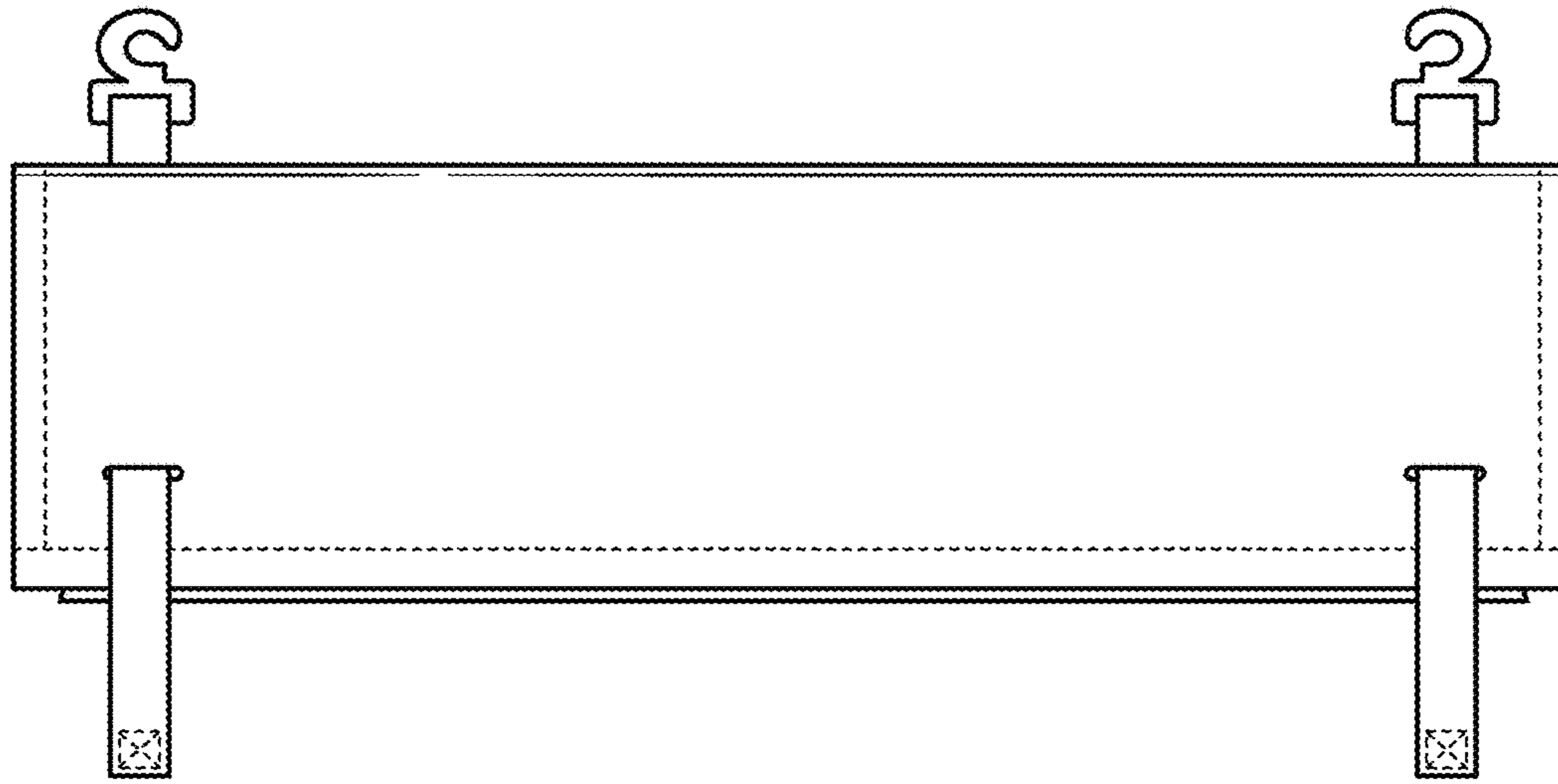


Figure 2

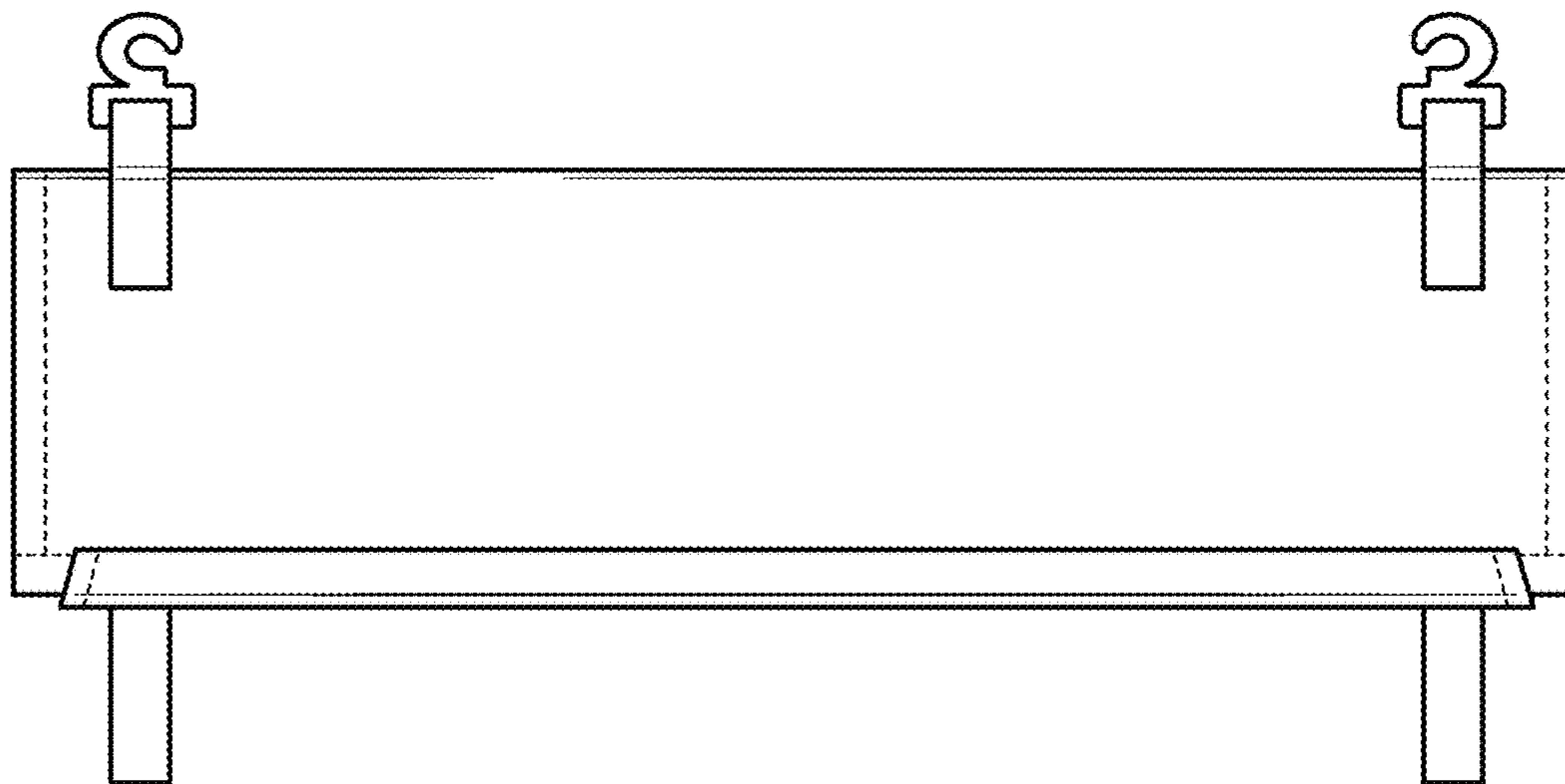


Figure 4

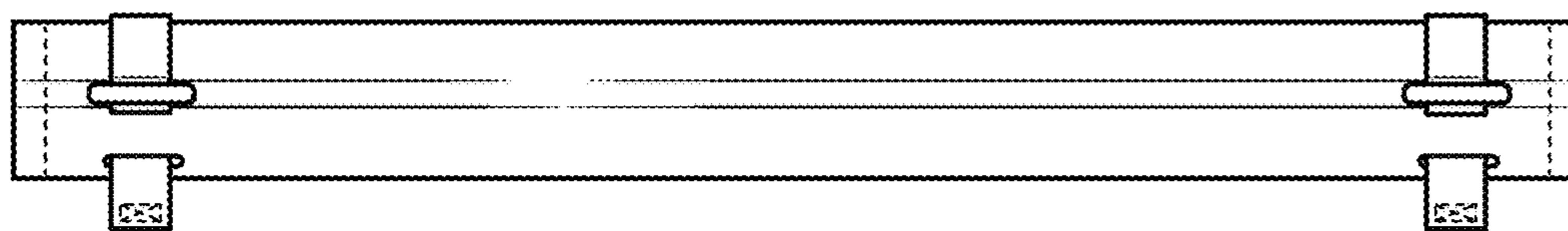


Figure 5

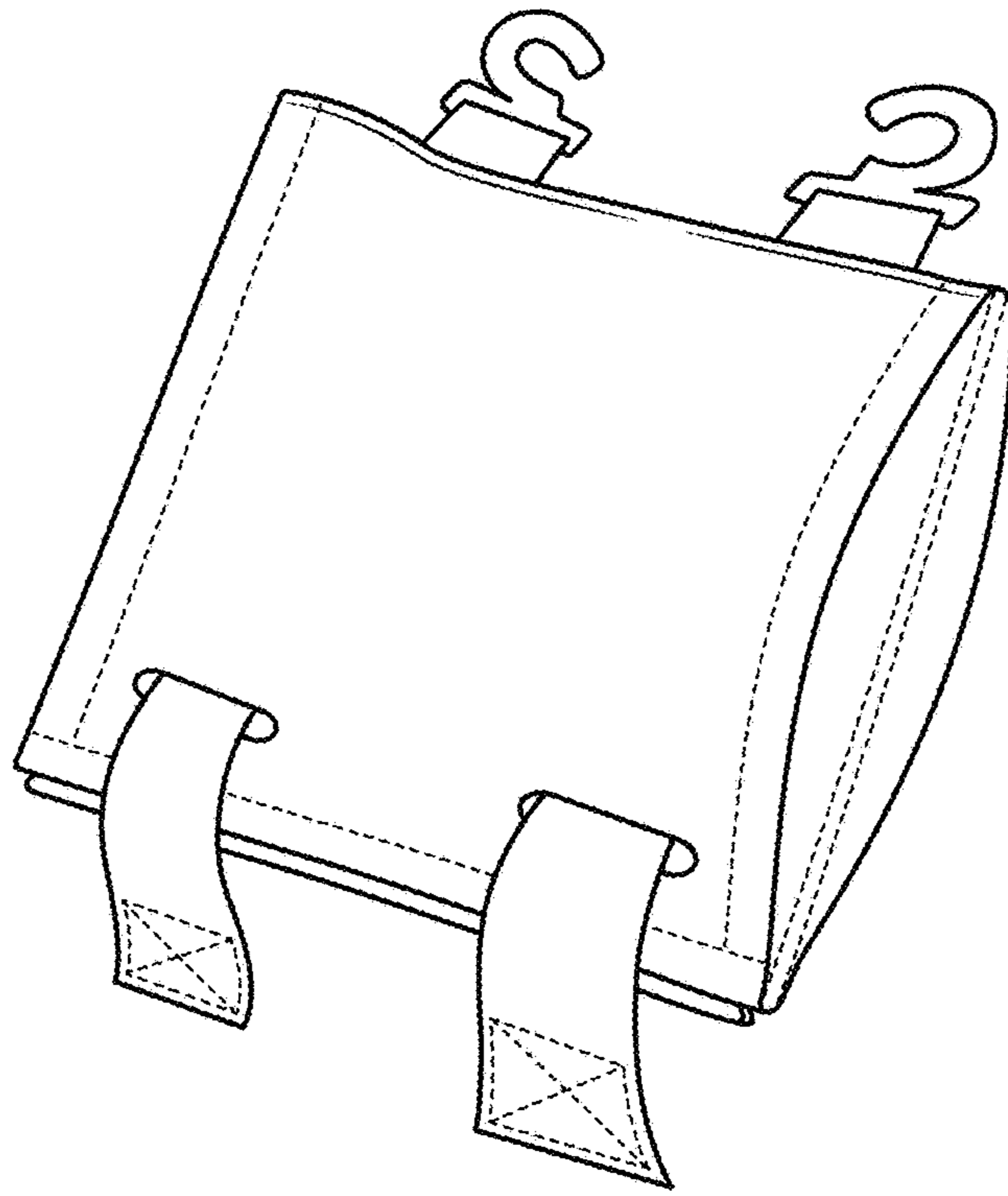


Figure 6

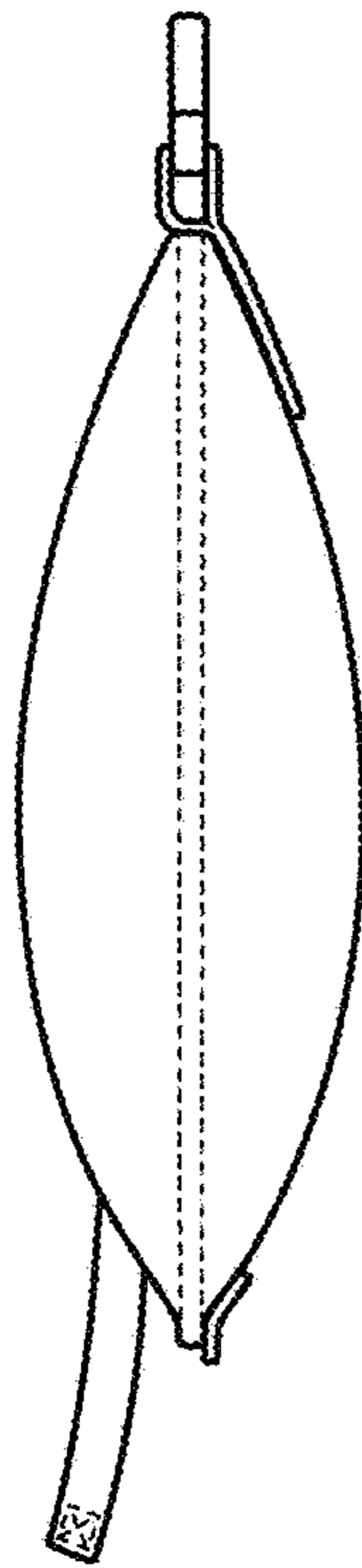


Figure 8

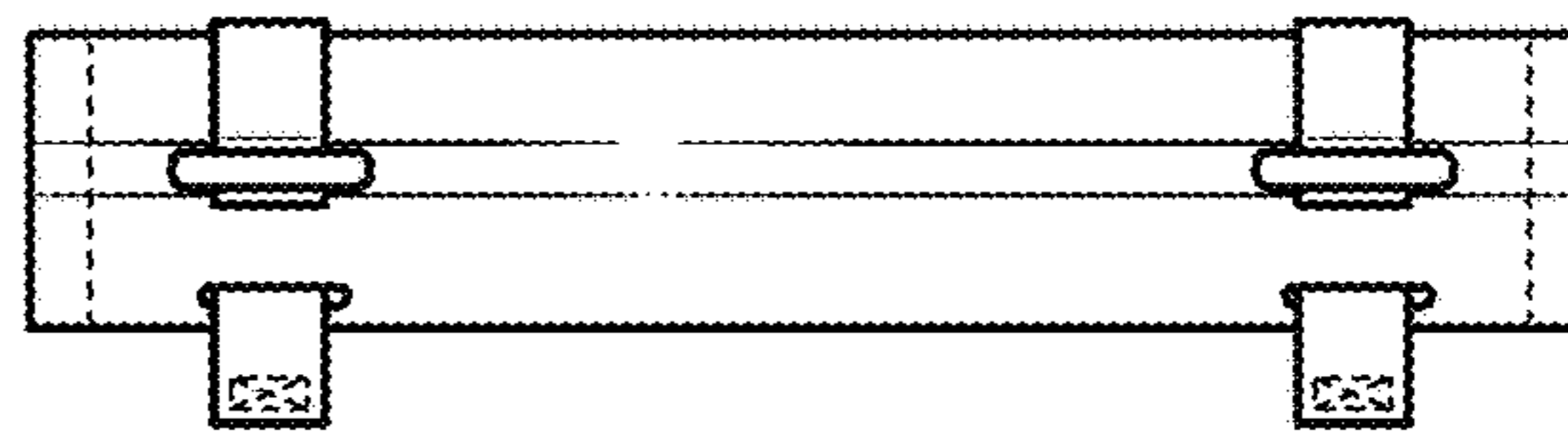


Figure 10

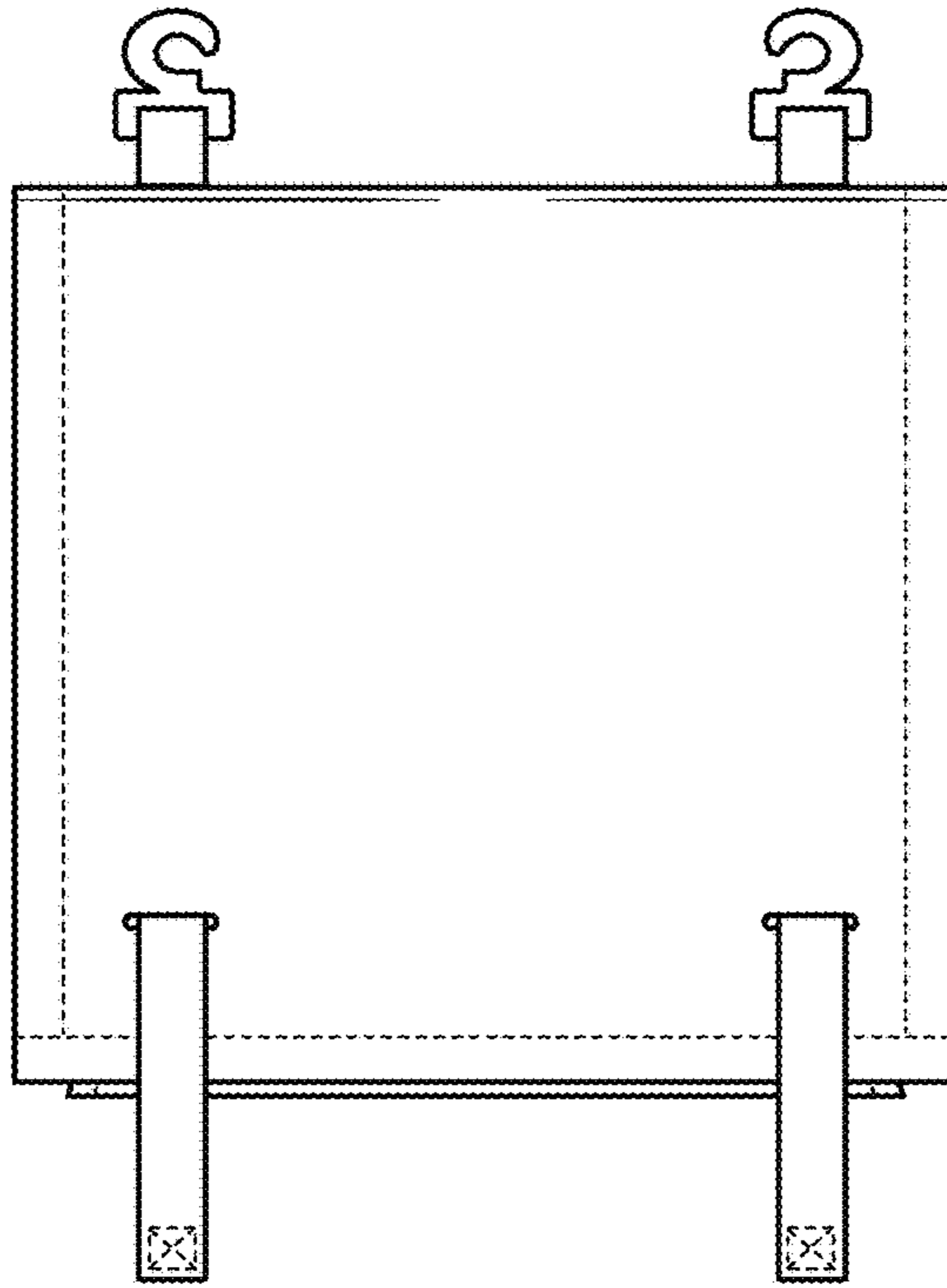


Figure 7

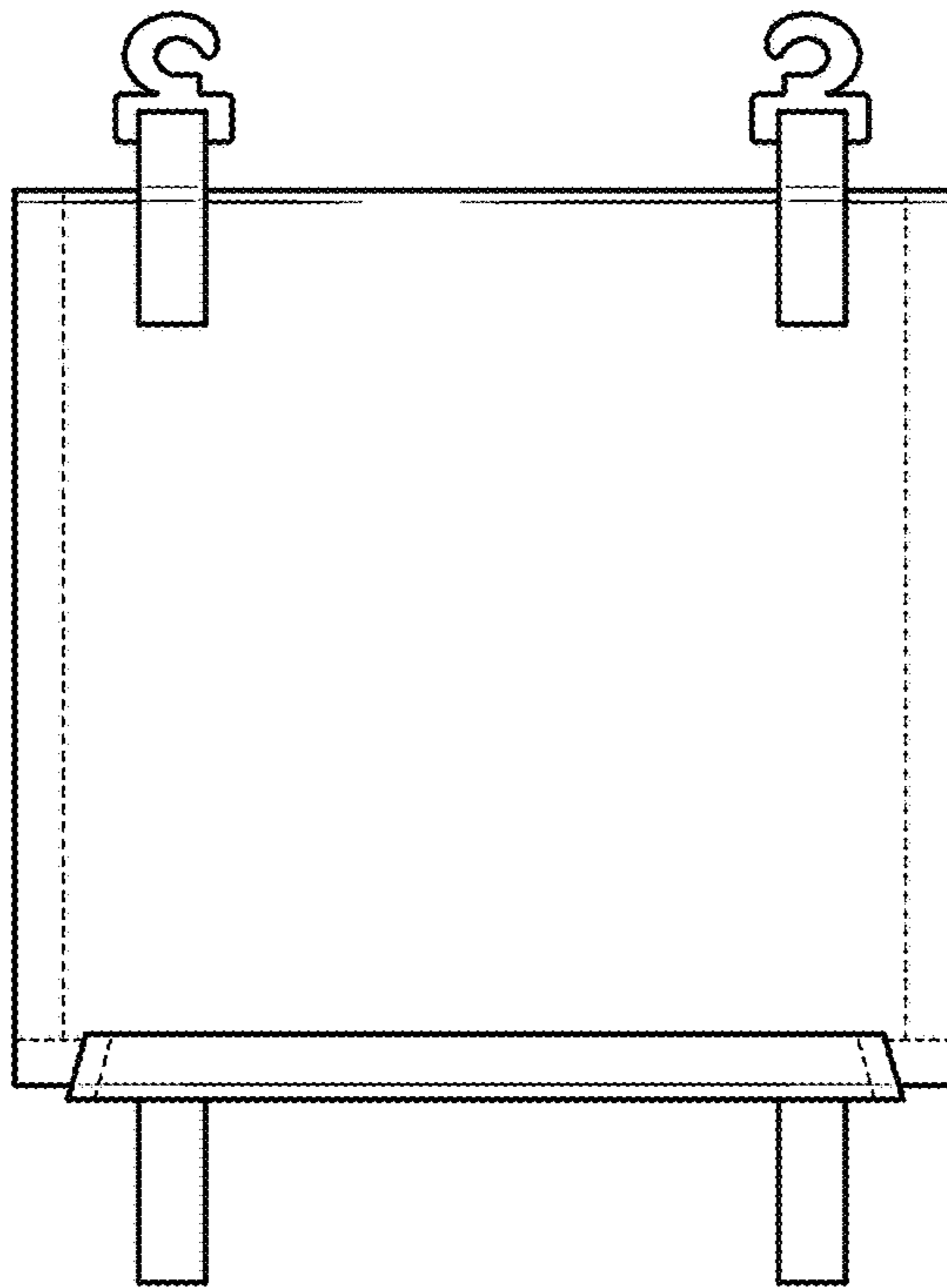


Figure 9

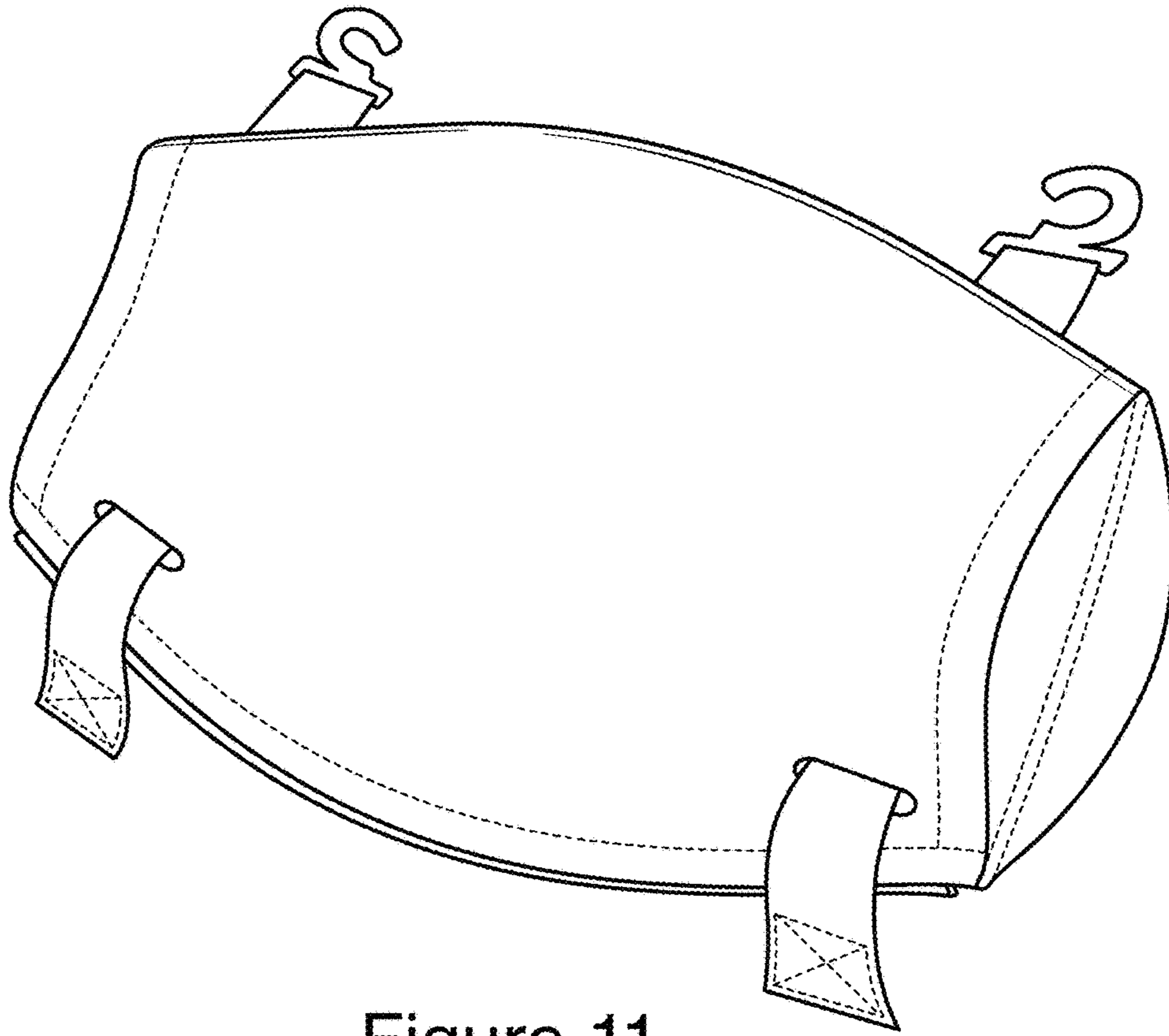


Figure 11

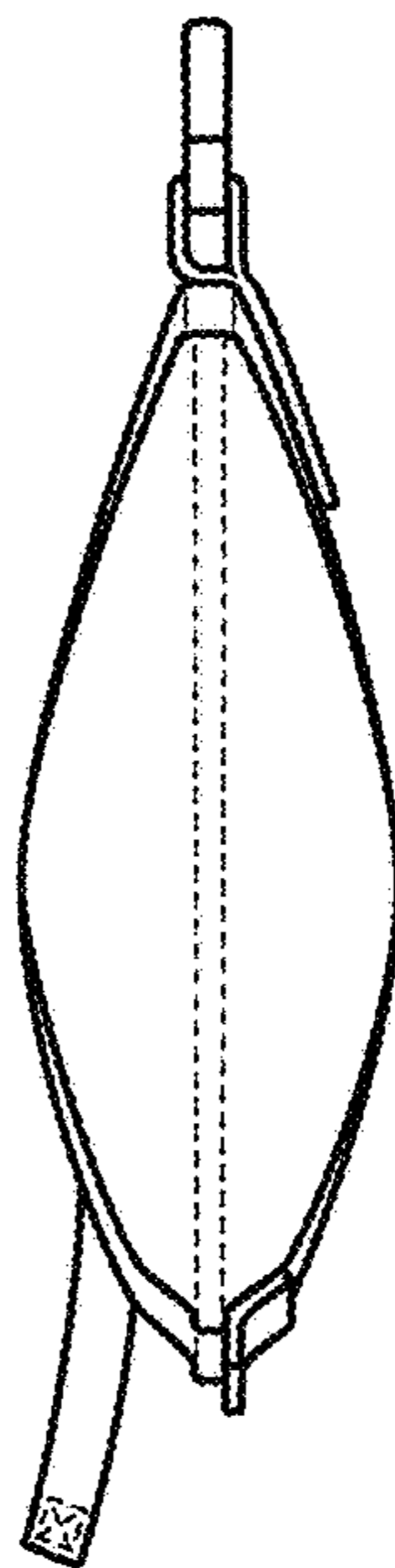


Figure 13

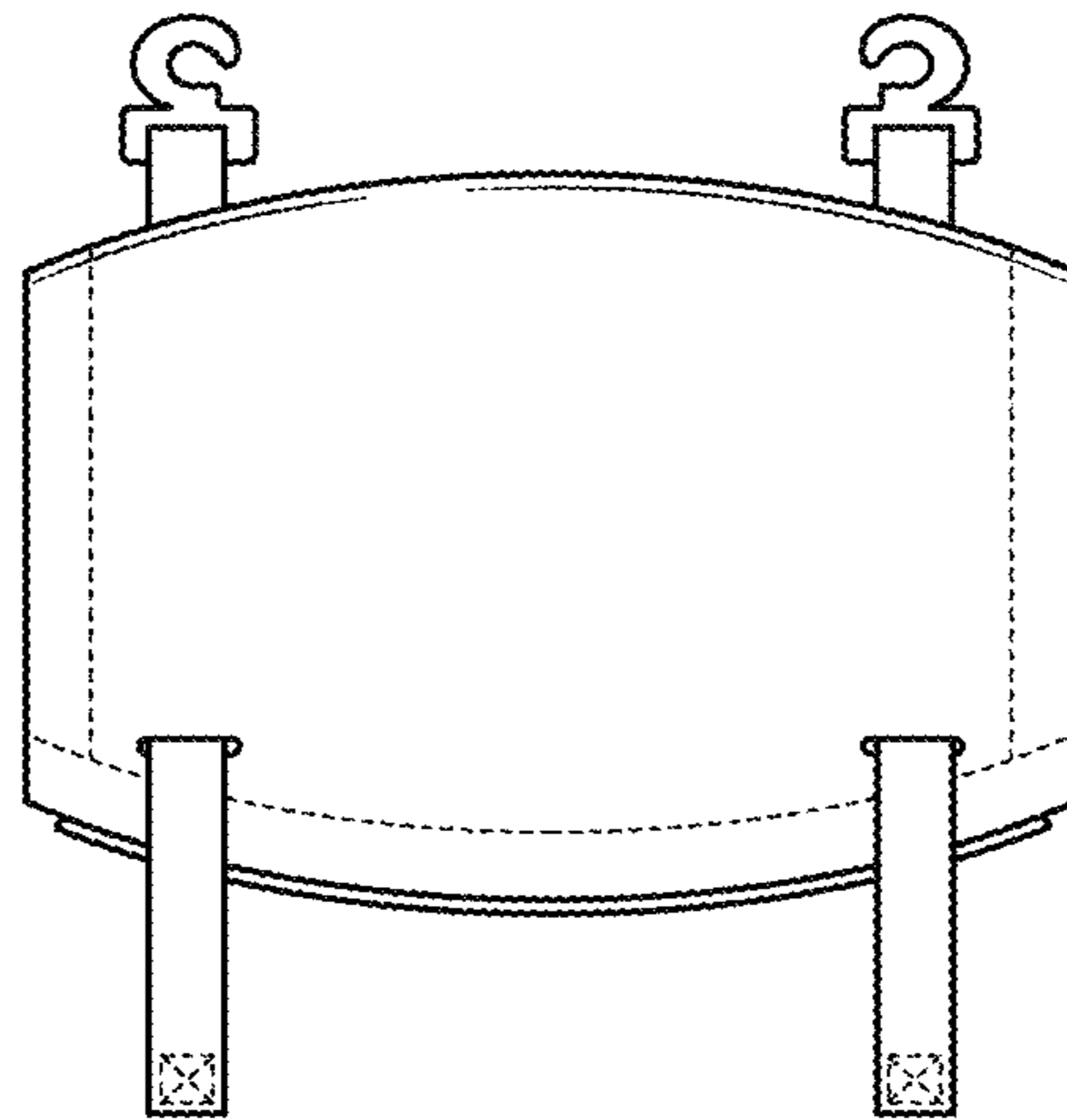


Figure 12

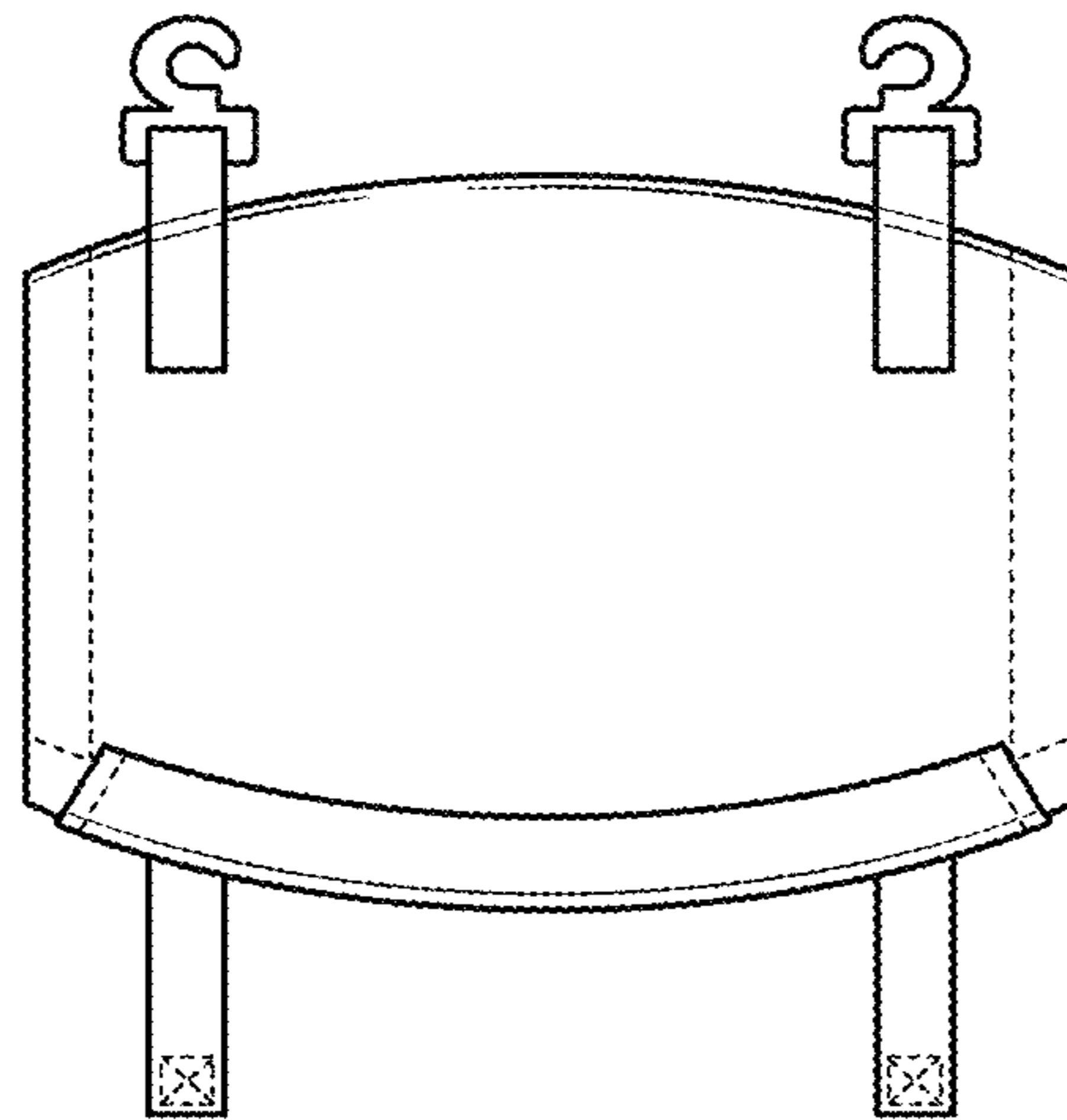


Figure 14

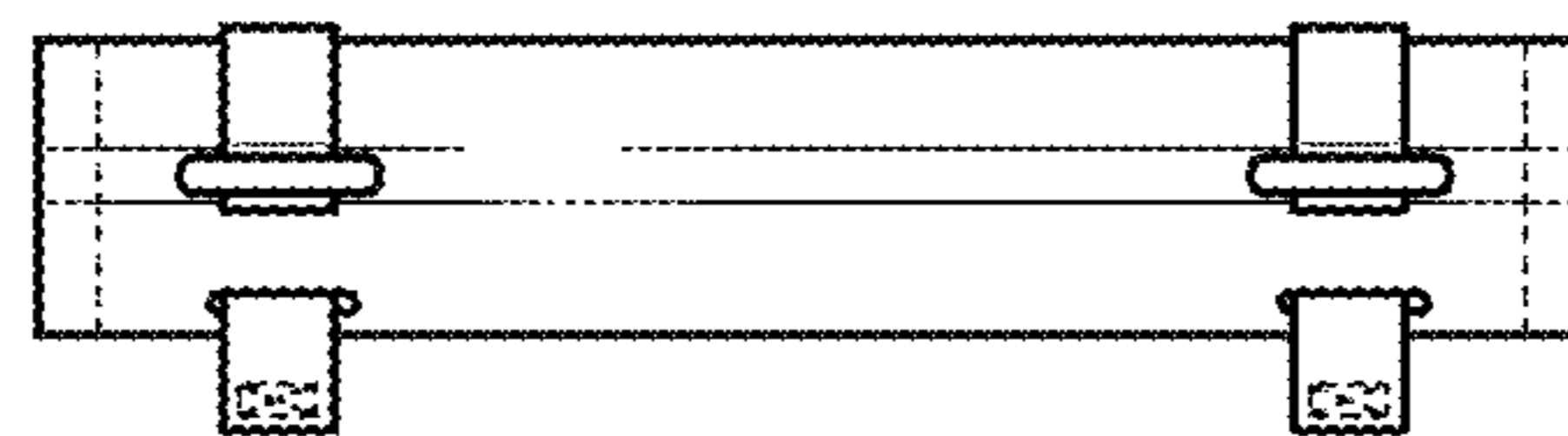


Figure 15