



US00D809825S

(12) **United States Design Patent**
Clores

(10) **Patent No.:** **US D809,825 S**

(45) **Date of Patent:** **** Feb. 13, 2018**

- (54) **PILLOW BED FOR AN INFANT**
- (71) Applicant: **Edgardo Clores**, Las Vegas, NV (US)
- (72) Inventor: **Edgardo Clores**, Las Vegas, NV (US)
- (73) Assignee: **MACE CORPORATION**, Las Vegas, NV (US)
- (**) Term: **15 Years**
- (21) Appl. No.: **29/587,069**
- (22) Filed: **Dec. 9, 2016**
- (51) **LOC (11) Cl.** **06-09**
- (52) **U.S. Cl.**
USPC **D6/601**
- (58) **Field of Classification Search**
USPC D6/333, 349, 355, 375, 388, 512, 563,
D6/564, 595, 596, 601, 604, 611, 707,
D6/715, 716, 716.1; D24/183-185, 234;
D21/803, 804, 805, 809; 5/401, 420,
5/600, 630, 631, 632, 633, 635, 636, 638,
5/639, 646, 652, 652.1, 655, 703, 730;
297/1, 2, 4, 93, 180.11, 195.1, 195.11,
297/195.13, 393, 397, 452.12, 452.14,
297/452.15, 452.21, 452.24, 452.26,
297/452.48, 452.62, 482
CPC A47G 9/10; A47G 9/1009; A47G 9/1027;
A47G 9/1045; A47G 9/1063; A47G
9/1072; A47G 9/1081
See application file for complete search history.

- D289,354 S * 4/1987 Willey D6/601
- D318,392 S * 7/1991 Edelson D6/596
- D319,365 S * 8/1991 Edelson D6/596
- D341,980 S * 12/1993 Barker D6/596
- D371,462 S * 7/1996 Grossmith D6/349
- D375,989 S * 11/1996 Jacobs D21/809
- D386,643 S * 11/1997 Farrell D6/596
- D387,599 S * 12/1997 Ryndak D6/601
- D398,181 S * 9/1998 Lange D6/596
- D400,386 S * 11/1998 Keilhauer D6/601
- D406,210 S * 3/1999 Johnson D6/349
- D407,259 S * 3/1999 Jackson D6/601
- D416,428 S * 11/1999 Jackson 5/644
- D446,675 S * 8/2001 Straub A47D 13/08
5/655
- D446,676 S * 8/2001 Mayes D6/601
- D469,648 S * 2/2003 Meldeau D21/687
- D487,553 S * 3/2004 Morikawa D6/601
- 6,931,683 B1 * 8/2005 Elkin A47D 13/08
5/632
- D509,694 S * 9/2005 Pitchford D6/601
- D521,301 S * 5/2006 Dickson D6/601

(Continued)

Primary Examiner — Eric L Goodman
Assistant Examiner — Sanjeev Paul
 (74) *Attorney, Agent, or Firm* — Weiss & Moy, P.C.;
 Jeffrey D. Moy

(57) **CLAIM**

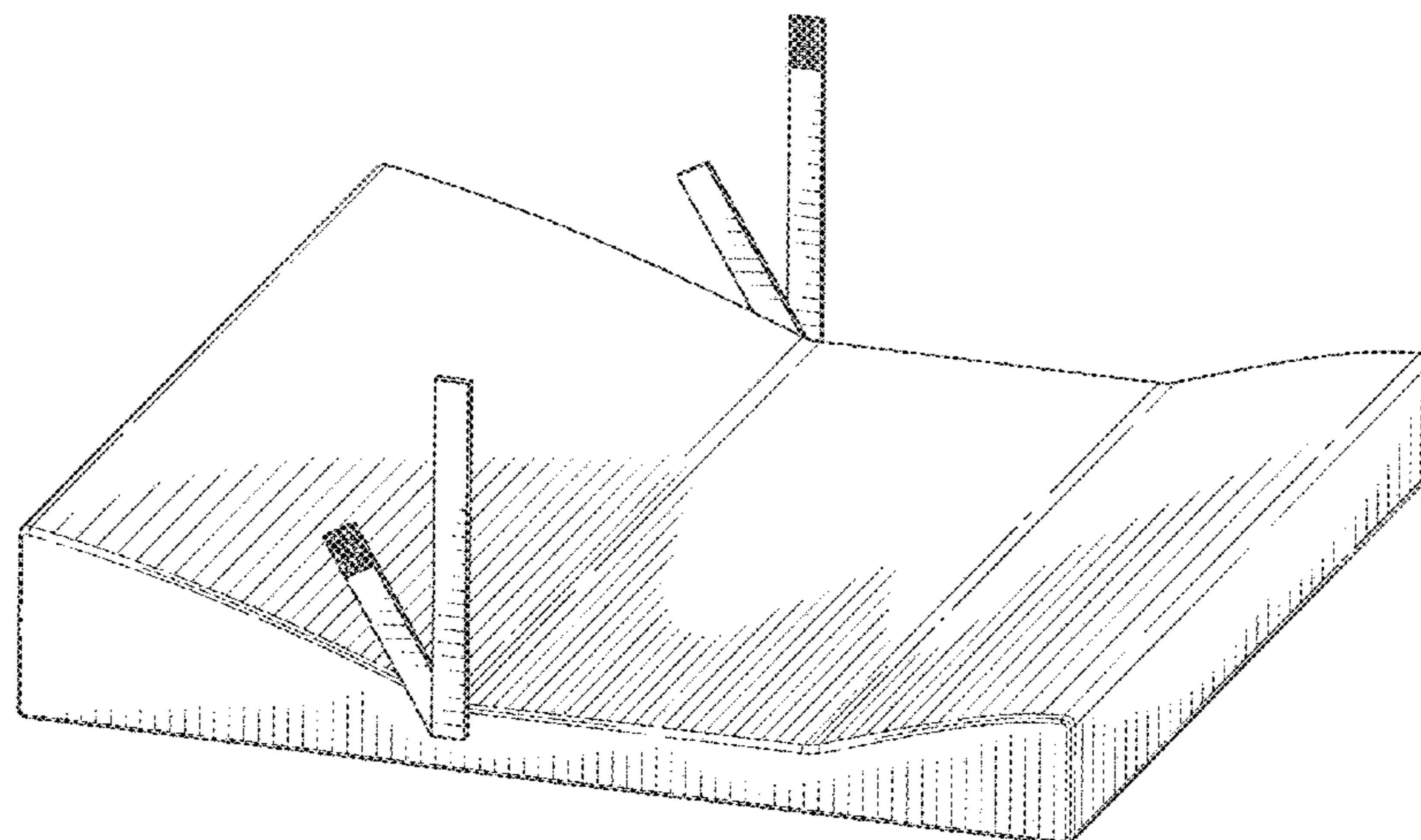
The ornamental design for a pillow bed for an infant, as shown and described.

DESCRIPTION

FIG. 1 is a perspective view of a pillow bed for an infant; FIG. 2 is a side view of the pillow bed for an infant, the opposing side being a mirror image thereof; FIG. 3 is a rear view of the pillow bed for an infant; FIG. 4 is a front view of the pillow bed for an infant; FIG. 5 is a top view of the pillow bed for an infant; and, FIG. 6 is a bottom view of the pillow bed for an infant.

1 Claim, 3 Drawing Sheets

- (56) **References Cited**
U.S. PATENT DOCUMENTS
- 3,139,631 A * 7/1964 Augustine A47C 23/00
297/397
- 4,484,781 A * 11/1984 Phelps A47C 3/16
297/452.41
- 4,635,306 A * 1/1987 Willey A47C 3/16
5/632



(56)

References Cited

U.S. PATENT DOCUMENTS

7,140,057	B2 *	11/2006	Hetzel	A47C 7/022 297/452.26	2001/0044968	A1 *	11/2001	Schmitter	A47C 20/00 5/652
D539,066	S *	3/2007	Coquillet	D6/601	2005/0172408	A1 *	8/2005	Temple	A47G 9/10 5/633
D541,366	S *	4/2007	Rominger	D21/803	2006/0075566	A1 *	4/2006	McManamy	A47C 27/002 5/690
D543,064	S *	5/2007	Hale	D6/596	2006/0080780	A1 *	4/2006	Schlieps	A47C 9/027 5/657
D543,407	S *	5/2007	Thom	D6/604	2008/0092300	A1 *	4/2008	Joe	A47D 13/08 5/655
D553,884	S *	10/2007	Faber	D6/601	2010/0262050	A1 *	10/2010	Gasparovich	A47C 21/006 601/57
D566,448	S *	4/2008	Ridder	D24/183	2013/0091633	A1 *	4/2013	Garofalo	A47D 15/005 5/655
D572,958	S *	7/2008	Keilhauer	D6/601	2014/0189956	A1 *	7/2014	Sosi	A47D 13/08 5/655
D573,830	S *	7/2008	Kalatsky	D6/601	2016/0106225	A1 *	4/2016	Ham	A47C 27/082 5/655.3
D587,507	S *	3/2009	Martin	D6/604	2016/0192794	A1 *	7/2016	Boyd	A47G 9/1081 5/644
D635,265	S *	3/2011	Coffey	D24/183	2017/0173297	A1 *	6/2017	Park	A61M 21/00
D642,278	S *	7/2011	Sharps	D24/184						
7,975,336	B1 *	7/2011	Perry	A47C 20/027 5/636						
D642,412	S *	8/2011	Cuba	D6/601						
D651,368	S *	12/2011	Seliskar	D30/160						
D651,840	S *	1/2012	Davis, III	A47C 20/048 D6/601						
D655,559	S *	3/2012	Cheng	D6/601						
8,474,079	B1 *	7/2013	Gangitano	A47C 20/027 5/421						
D707,358	S *	6/2014	Mantilla	D24/184						
D718,074	S *	11/2014	Savolainen	D6/601						
D732,312	S *	6/2015	Tiffin	D6/601						
D743,186	S *	11/2015	Perdue	D6/596						
D766,025	S *	9/2016	Caforio	D6/716.1						
D769,026	S *	10/2016	Weiss	D6/596						

* cited by examiner

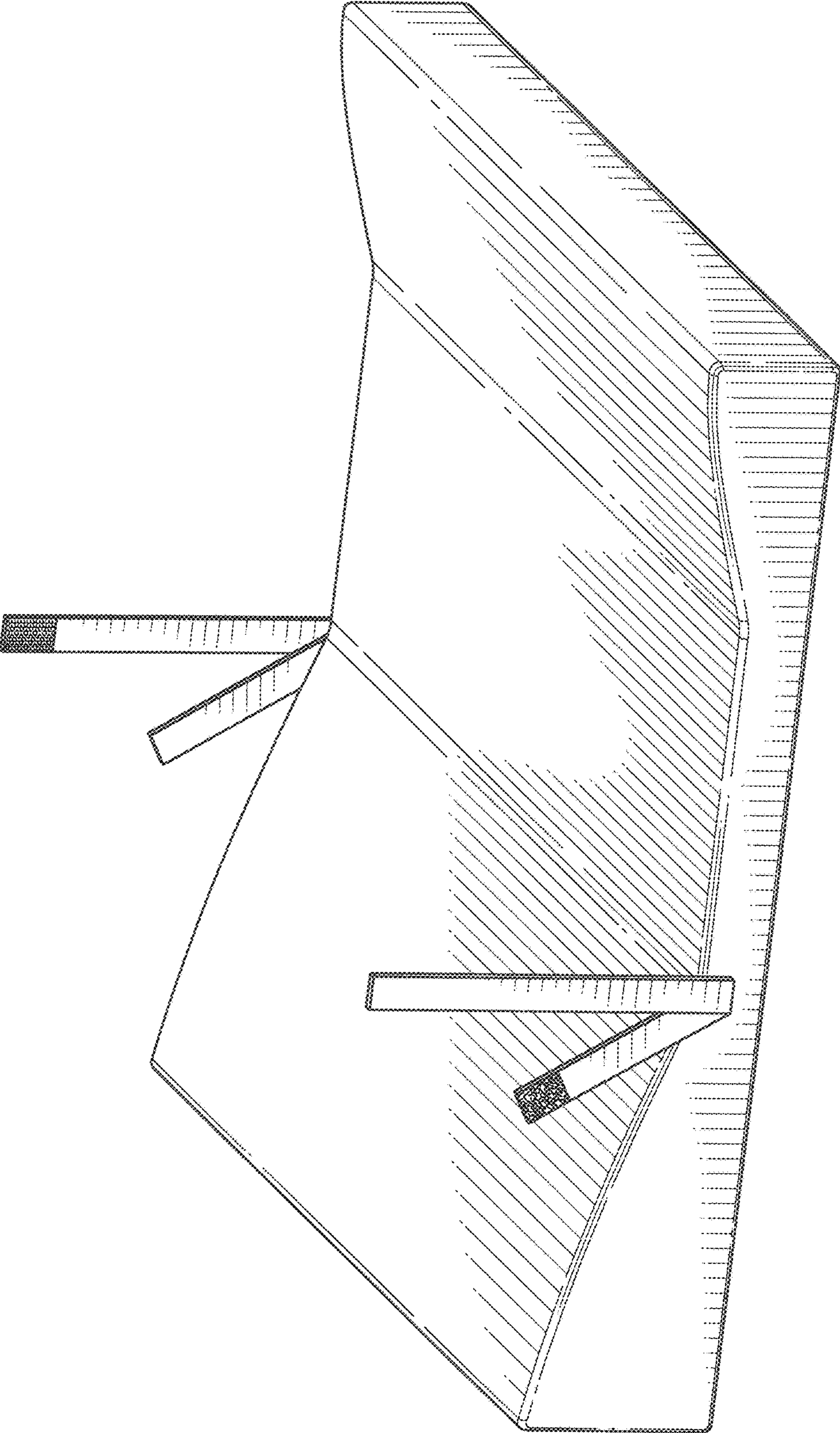


FIG. 1

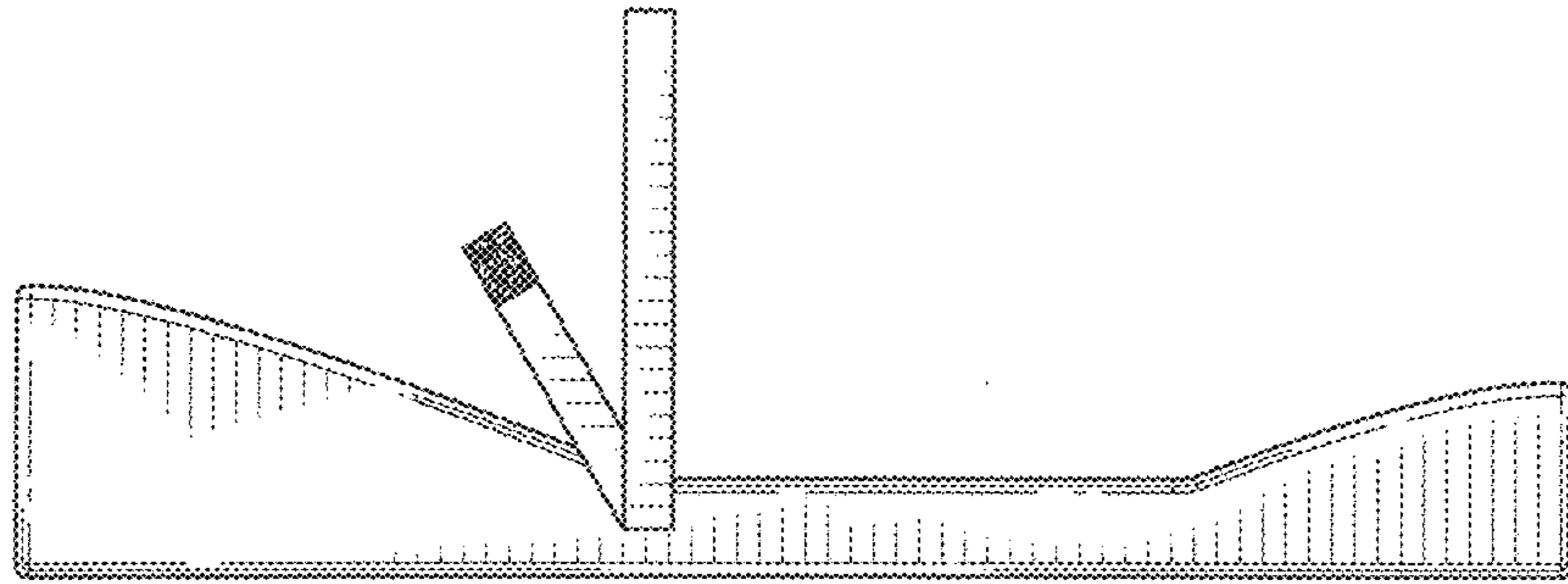


FIG. 2

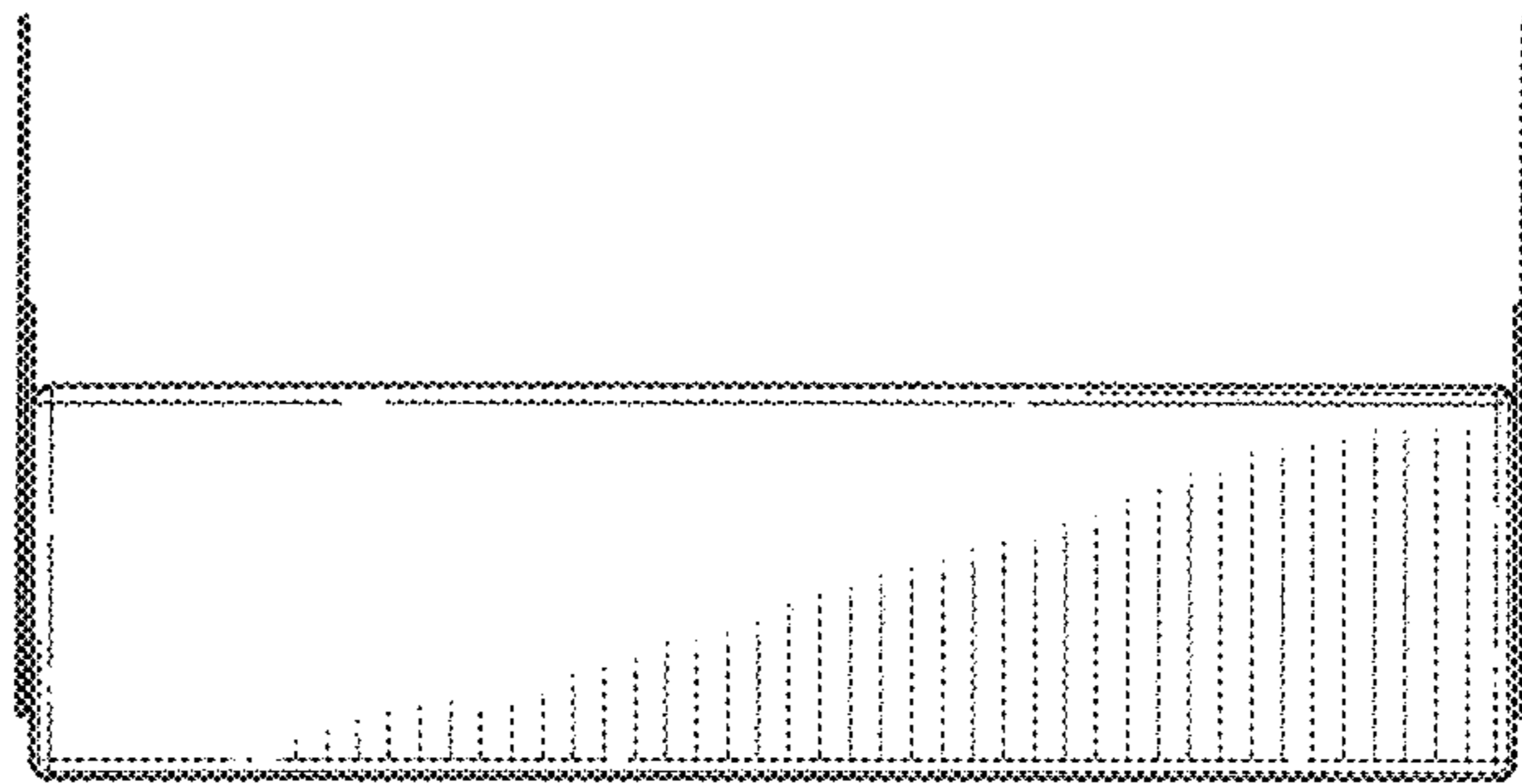


FIG. 3

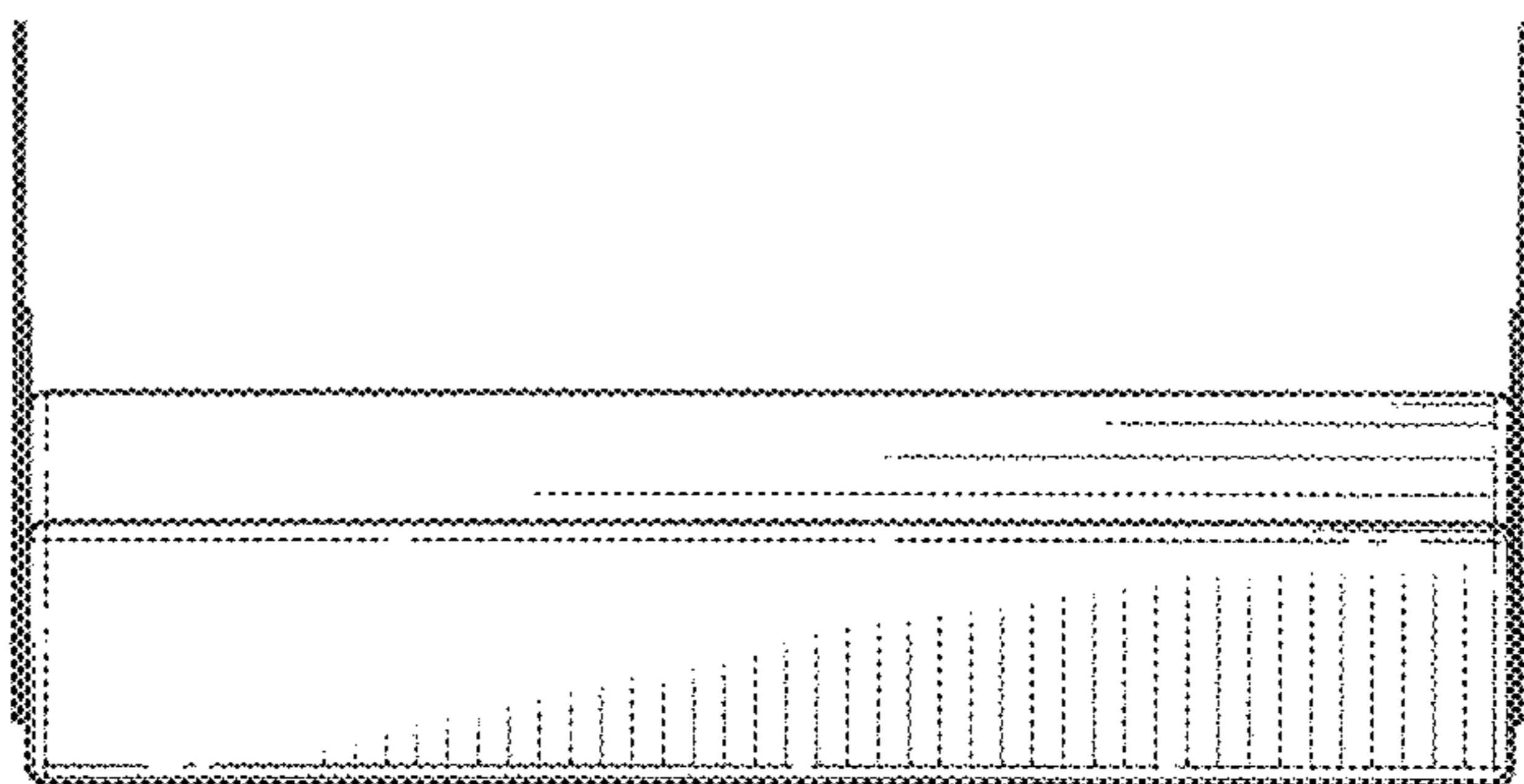


FIG. 4

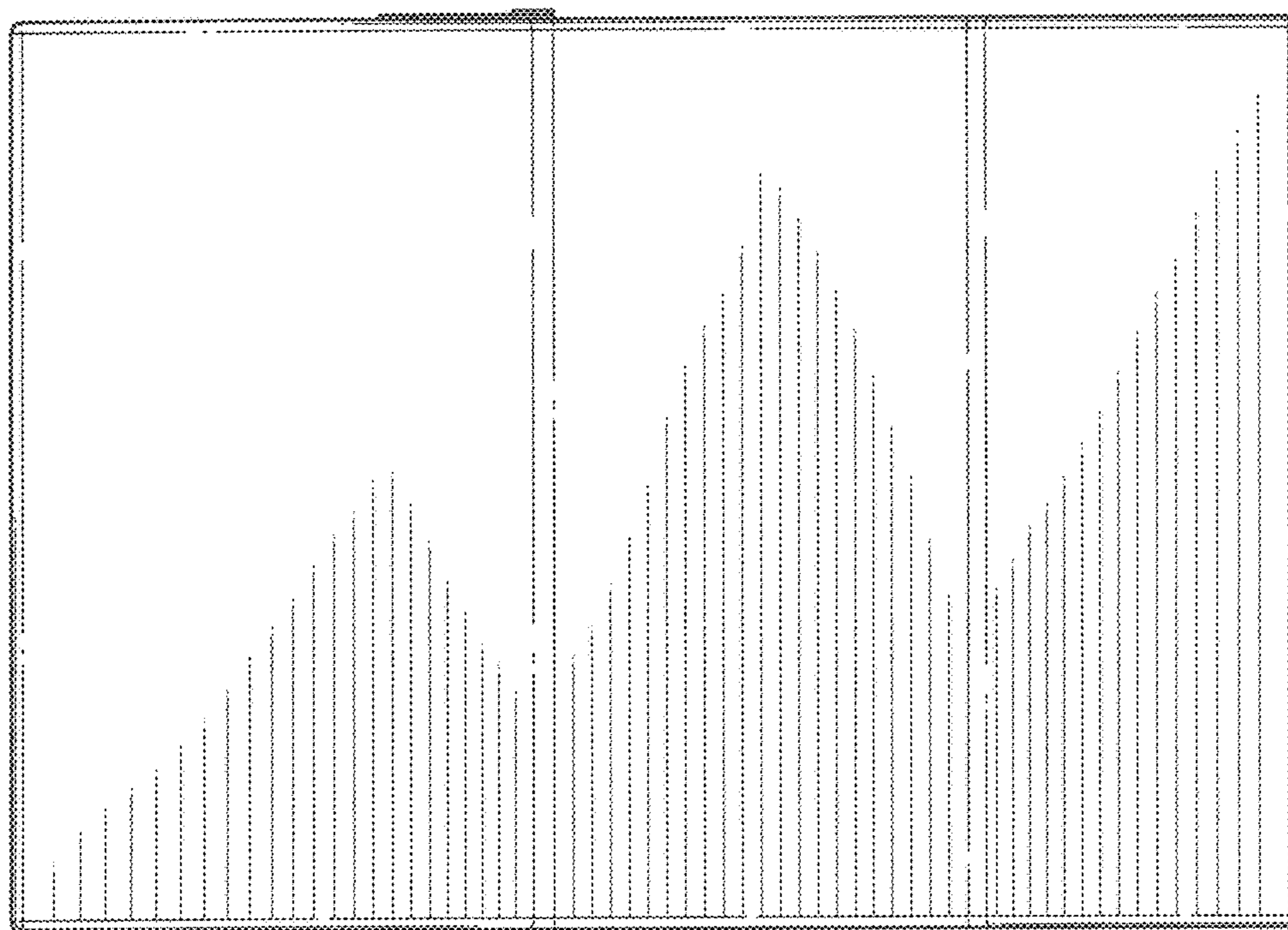


FIG. 5

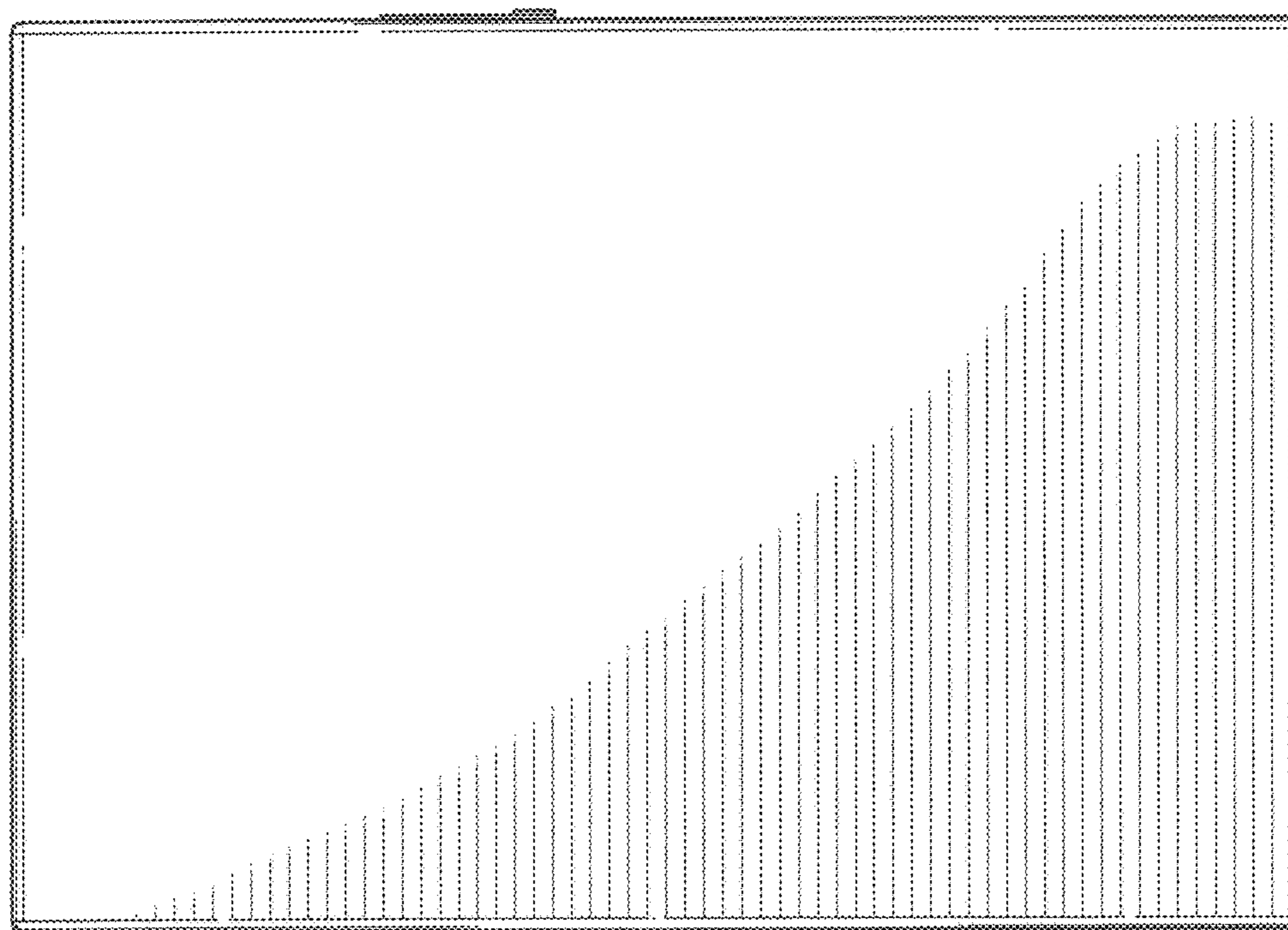


FIG. 6