



US00D809821S

(12) **United States Design Patent** (10) **Patent No.:** **US D809,821 S**  
**Moore et al.** (45) **Date of Patent:** **\*\* Feb. 13, 2018**

(54) **WALL MOUNTED DISPENSER CABINET** D643,237 S 8/2011 Reynolds  
8,336,740 B1 12/2012 Daansen  
(71) Applicant: **GOJO Industries, Inc.**, Akron, OH 8,387,830 B2 \* 3/2013 Proper ..... A47K 5/12  
(US) 222/153.01  
8,534,507 B2 9/2013 Gronholm  
(72) Inventors: **Mark Moore**, Aurora, OH (US); 8,827,120 B2 9/2014 Boshuizen  
**Kaitlin Wolf**, Kent, OH (US); **Shelby** D724,861 S 3/2015 Gottschalk  
**Buell**, Medina, OH (US) 8,991,655 B2 \* 3/2015 Pelkey ..... B05B 11/3056  
222/181.1  
(73) Assignee: **GOJO Industries, Inc.**, Akron, OH D726,244 S 4/2015 Gioivannoni  
(US) D726,444 S 4/2015 Gioivannoni  
D767,301 S 9/2016 Indruk  
(Continued)

(\*\*) Term: **15 Years**

(21) Appl. No.: **29/582,753**  
(22) Filed: **Oct. 31, 2016**  
(51) **LOC (11) Cl.** ..... **23-02**  
(52) **U.S. Cl.**  
USPC ..... **D6/545**  
(58) **Field of Classification Search**  
USPC ..... D6/545, 515-523; 206/389, 391;  
312/34, 34.8, 34.22, 309.1; 211/13.1, 16,  
211/44, 49.1, 50, 59.2, 86.01; 221/282,  
221/283; 222/173, 181.1  
CPC ..... A47K 5/14; A47K 5/1217; A47K 5/12;  
B05B 11/3087; B05B 7/0037  
See application file for complete search history.

(56) **References Cited**

U.S. PATENT DOCUMENTS

D372,824 S 8/1996 Lin  
D379,728 S 6/1997 Simon  
7,044,328 B1 \* 5/2006 Ciavarella ..... A47K 5/12  
220/326  
D527,936 S \* 9/2006 Sirkis ..... D6/520  
D529,740 S 10/2006 Ophardt  
D530,124 S 10/2006 Ophardt  
D588,388 S 3/2009 Crawford  
D616,684 S 6/2010 Ciavarella  
D629,236 S 12/2010 Weststrate  
D634,143 S 3/2011 Burkett

OTHER PUBLICATIONS

Notice of Allowance for U.S. Appl. No. 29/568,740 dated Oct. 24, 2017.

(Continued)

*Primary Examiner* — David G Muller  
*Assistant Examiner* — Nathan Johnston  
(74) *Attorney, Agent, or Firm* — Calfee, Halter & Griswold LLP

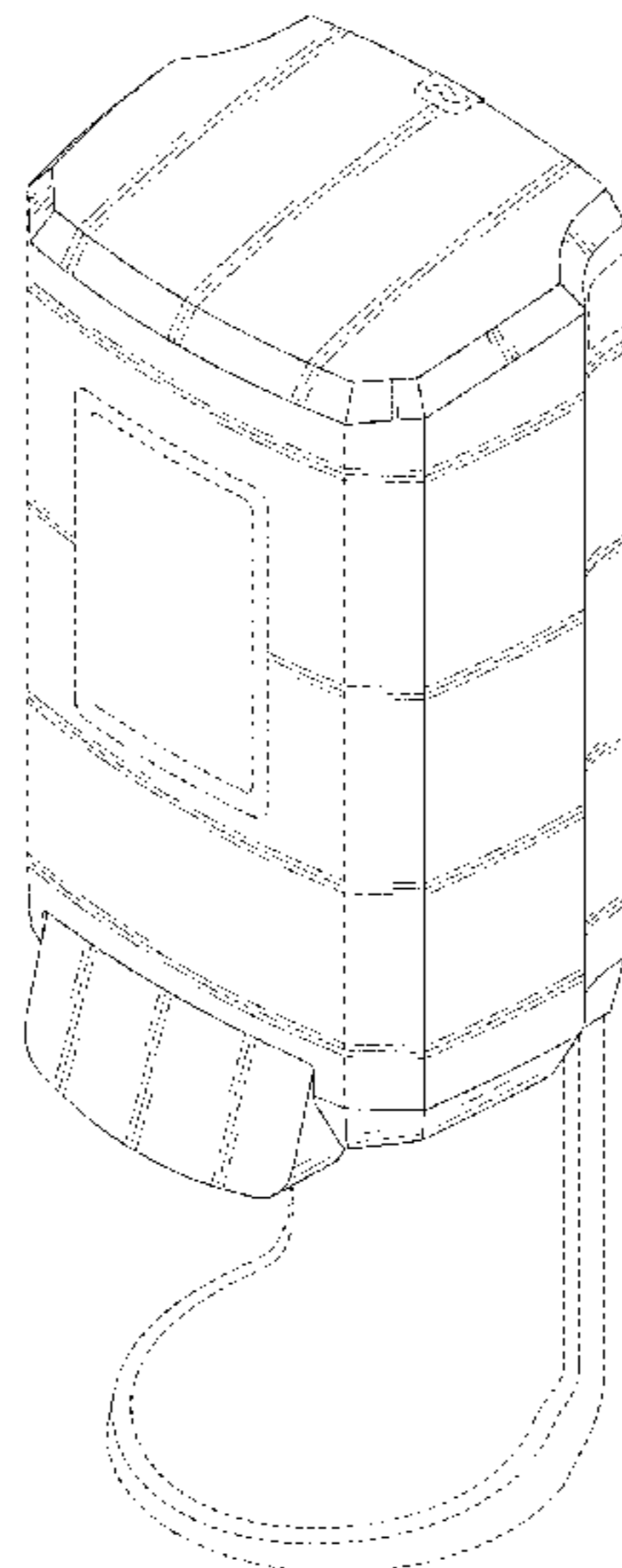
(57) **CLAIM**

The ornamental design for a wall mounted dispenser cabinet, as shown and described.

**DESCRIPTION**

FIG. 1 is a perspective view of a wall mounted dispenser cabinet showing our new design;  
FIG. 2 is a front elevation view thereof;  
FIG. 3 is a rear elevation view thereof;  
FIG. 4 is a top plan view thereof;  
FIG. 5 is a bottom plan view thereof;  
FIG. 6 is a left side elevation view thereof; and,  
FIG. 7 is a right side elevation view thereof.  
The broken lines show portions of the design that form no part of the claimed design.

**1 Claim, 4 Drawing Sheets**



(56)

**References Cited**

U.S. PATENT DOCUMENTS

D768,406 S 10/2016 Patterson  
 D768,407 S 10/2016 Patterson  
 D775,852 S 1/2017 Indruk  
 D778,732 S 2/2017 Pelfrey et al.  
 D780,473 S \* 3/2017 Brownley ..... D6/515  
 D781,064 S \* 3/2017 Brownley ..... D6/515  
 D781,065 S \* 3/2017 Brownley ..... D6/515  
 D781,068 S 3/2017 Brownley  
 D781,613 S 3/2017 Santoro  
 9,648,990 B1 \* 5/2017 Corney ..... A47K 5/1211  
 2005/0087563 A1 4/2005 Ciavarella  
 2010/0059550 A1 3/2010 Ciavarella  
 2011/0023364 A1 2/2011 Euteneuer  
 2011/0253744 A1 10/2011 Pelfrey  
 2012/0228326 A1 \* 9/2012 Ciavarella ..... G09F 7/18  
 222/108  
 2013/0015209 A1 \* 1/2013 Smith ..... A47K 5/1208  
 222/207

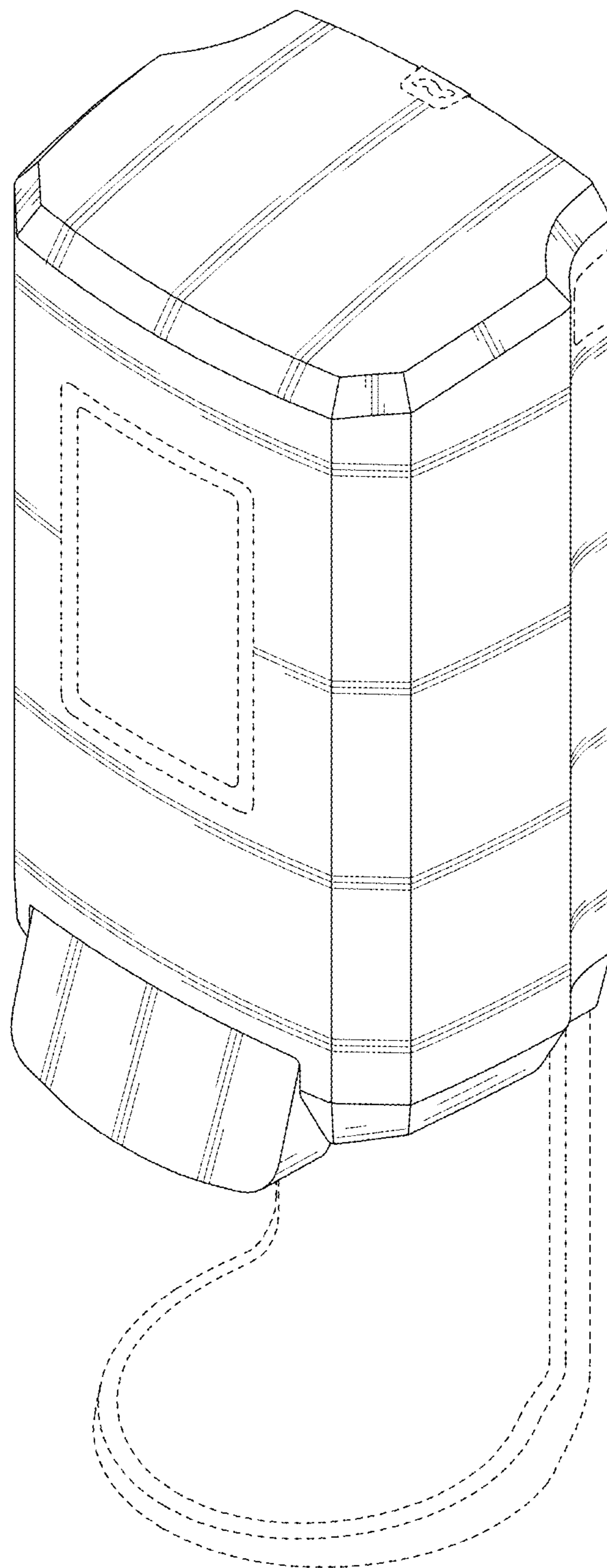
2013/0032613 A1 \* 2/2013 Ciavarella ..... A47K 5/1207  
 222/153.13  
 2014/0110434 A1 \* 4/2014 Ciavarella ..... A47K 5/14  
 222/133  
 2015/0083754 A1 3/2015 Proper  
 2015/0190827 A1 7/2015 Ophardt  
 2015/0266657 A1 9/2015 Corney  
 2015/0320265 A1 11/2015 Bullock  
 2016/0309967 A1 \* 10/2016 Pelfrey ..... A47K 5/1217  
 2017/0100001 A1 4/2017 Tojek

OTHER PUBLICATIONS

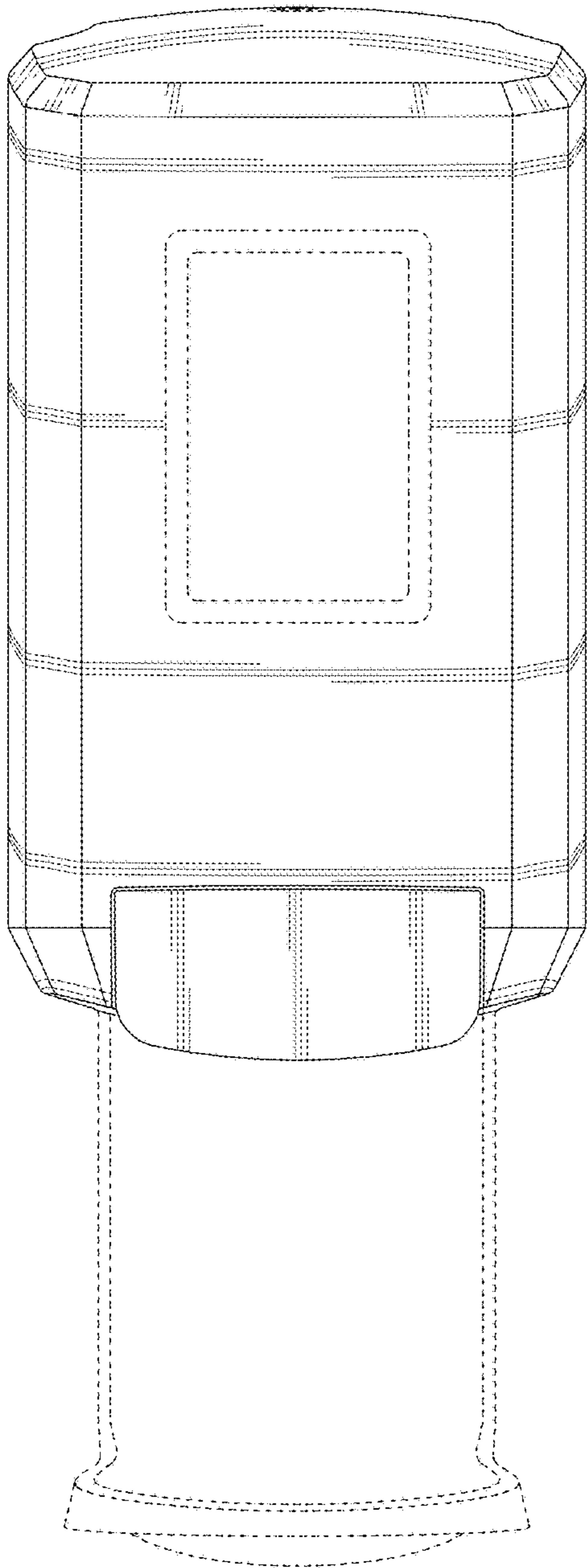
Notice of Allowance for U.S. Appl. No. 29/585,578 dated Oct. 20, 2017.

Notice of Allowance for U.S. Appl. No. 29/582,756 dated Oct. 20, 2017.

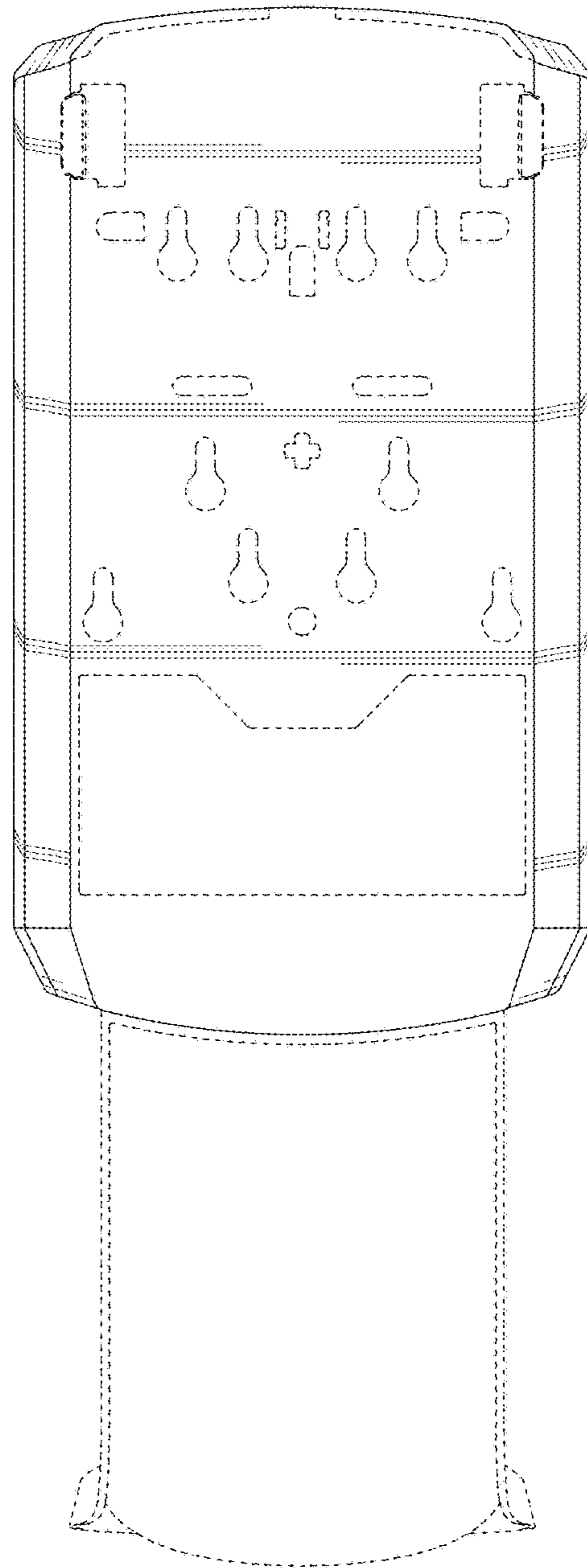
\* cited by examiner



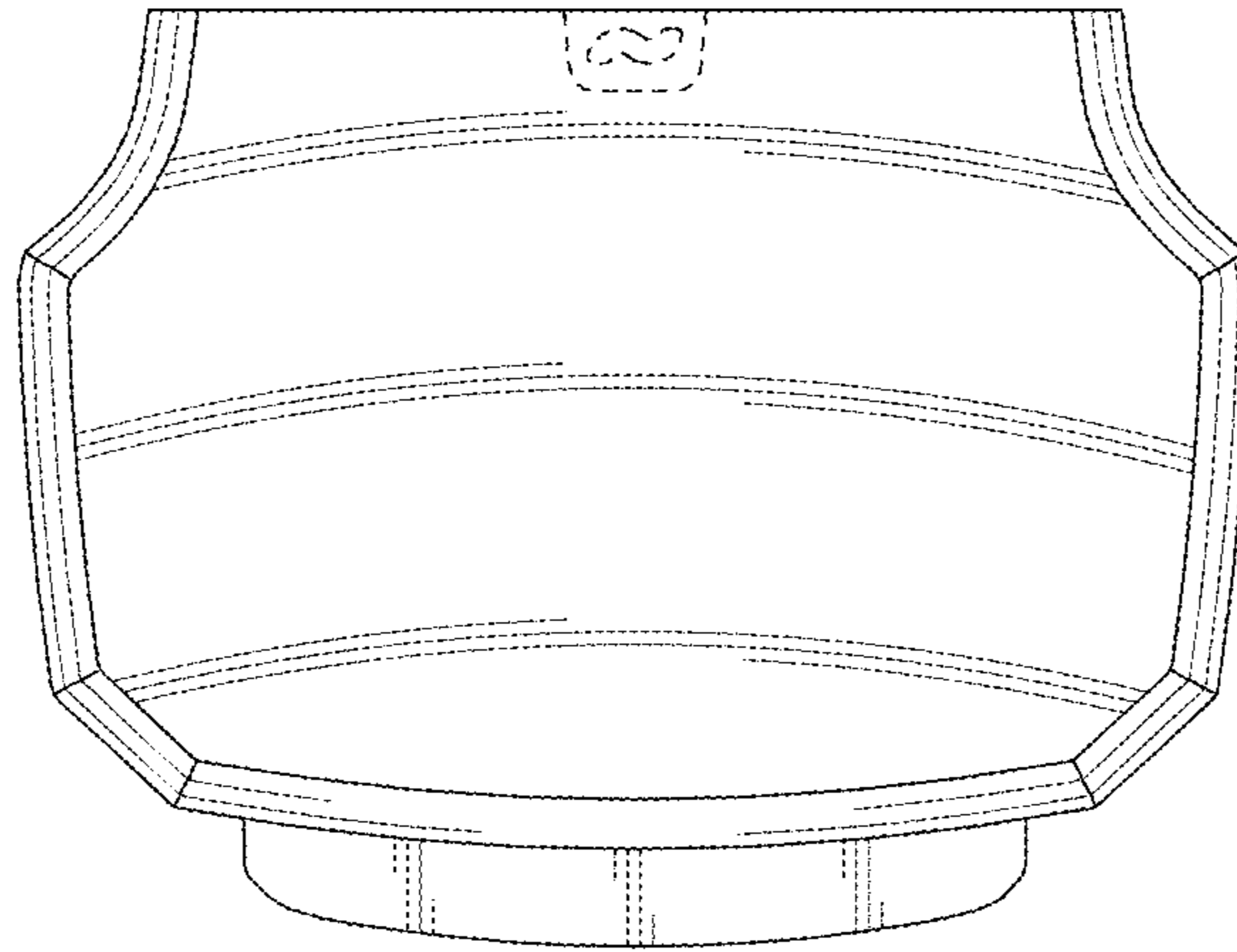
**FIG. 1**



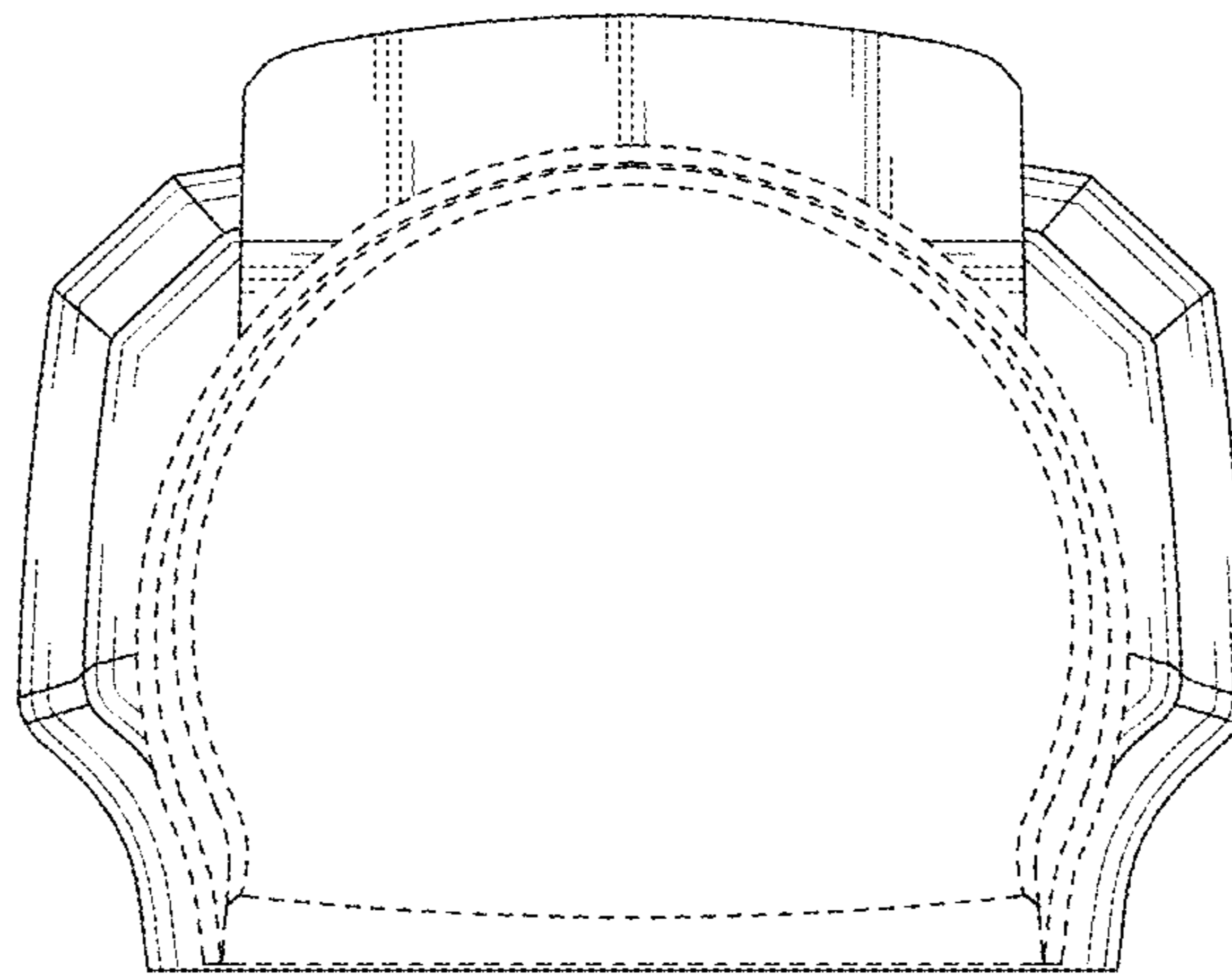
**FIG. 2**



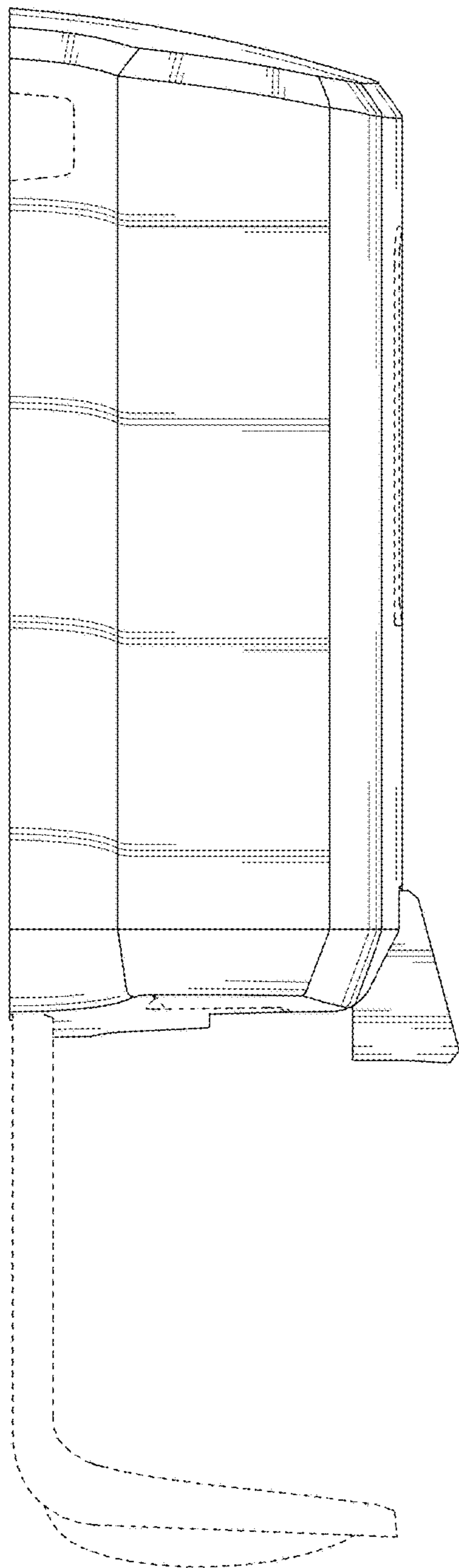
**FIG. 3**



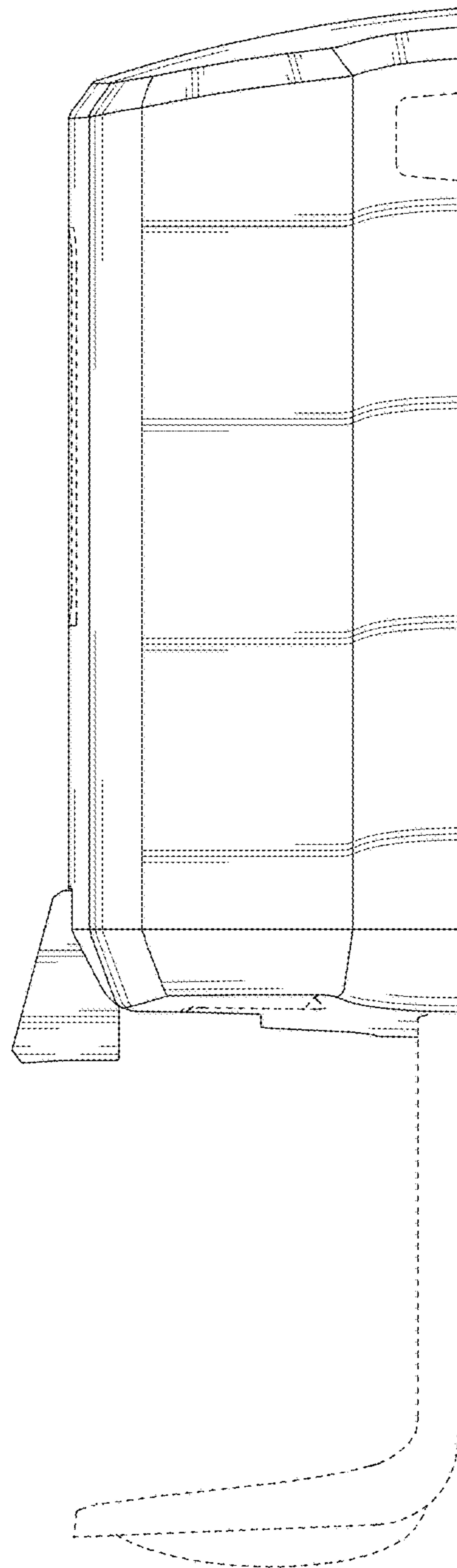
**FIG. 4**



**FIG. 5**



**FIG. 6**



**FIG. 7**