



US00D809813S

(12) **United States Design Patent**
Dassen et al.

(10) **Patent No.:** **US D809,813 S**
(45) **Date of Patent:** **** Feb. 13, 2018**

- (54) **CHAIR**
- (71) Applicant: **Haworth, Inc.**, Holland, MI (US)
- (72) Inventors: **Arne Dassen**, Holland, MI (US); **Peng Zhan**, Grand Rapids, MI (US); **Rodger Eich**, Holland, MI (US)
- (73) Assignee: **Haworth, Inc.**, Holland, MI (US)
- (**) Term: **15 Years**
- (21) Appl. No.: **29/584,133**
- (22) Filed: **Nov. 11, 2016**
- (51) **LOC (11) Cl.** **06-01**
- (52) **U.S. Cl.**
USPC **D6/379**
- (58) **Field of Classification Search**
USPC D6/379, 334-336, 371-373, 375, 376,
D6/380, 716, 716.1, 716.2, 716.3, 716.4
CPC A47C 4/02; A47C 4/03; A47C 4/32; A47C
4/024; A47C 5/06; A47C 7/16; A47C
7/22
See application file for complete search history.

D540,559 S *	4/2007	Neil	D6/376
D547,964 S *	8/2007	Olano	D6/379
D549,979 S *	9/2007	Kane	D6/374
D583,162 S *	12/2008	Vallet	D6/369
D601,822 S *	10/2009	Neil	D6/374
D604,519 S	11/2009	Beckley et al.	
D615,782 S	5/2010	Beckley et al.	
D648,557 S *	11/2011	Frinier	D6/369
D670,928 S *	11/2012	Montel	D6/375
D686,837 S *	7/2013	Schweikarth	D6/379
D696,038 S *	12/2013	Schweikarth	D6/379
D696,525 S *	12/2013	Fernandes	D6/379
D697,736 S *	1/2014	Schweikarth	D6/379
D789,130 S *	6/2017	Hunt	D6/379

* cited by examiner

Primary Examiner — David G Muller
Assistant Examiner — Nathan M Johnston
(74) *Attorney, Agent, or Firm* — Warner Norcross & Judd LLP

(57) **CLAIM**

The ornamental design for a chair, as shown and described.

DESCRIPTION

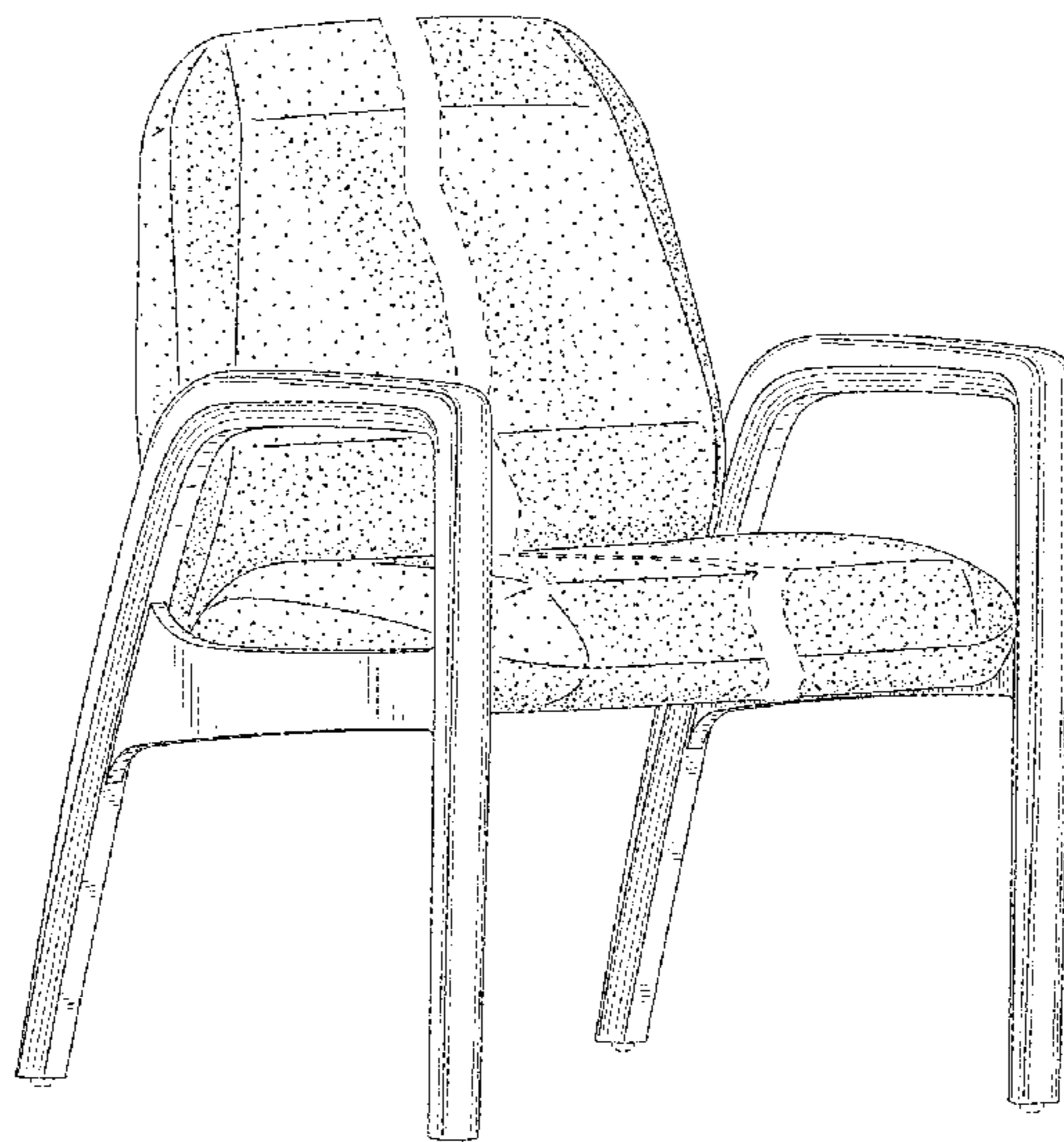
FIG. 1 is a front perspective view of the chair embodying the new design;
FIG. 2 is a right side elevation view thereof, the left side being a mirror image thereof;
FIG. 3 is a front elevation view thereof;
FIG. 4 is a rear elevation view thereof;
FIG. 5 is a top plan view thereof; and,
FIG. 6 is a bottom plan view thereof.
FIGS. 1-4 and 6 show portions of a chair in broken lines. The portions shown in broken lines are for environmental purposes only and form no part of the claimed design. The chair is shown with a symbolic break in its width. The appearance of any portion of the article between the break lines forms no part of the claimed design.

1 Claim, 6 Drawing Sheets

(56) **References Cited**

U.S. PATENT DOCUMENTS

D142,758 S *	10/1945	Weill	297/411.42
D238,989 S *	3/1976	Greadilex	297/452.12
D266,716 S *	11/1982	Caldwell	D6/373
D274,022 S *	5/1984	Caldwell	D6/373
D291,632 S *	9/1987	Zola	D6/370
D295,468 S *	5/1988	Snodgrass	D6/373
D308,772 S *	6/1990	Frinier	D6/379
D358,267 S *	5/1995	Ginat	D6/379
D368,175 S *	3/1996	Wang	D6/379
D372,596 S *	8/1996	Reinhard	D6/379
D381,215 S *	7/1997	Orians	D6/379
D409,408 S *	5/1999	James	D6/379
D432,326 S *	10/2000	Duffy	D6/379
D479,657 S *	9/2003	Calatrava Valls	D6/368



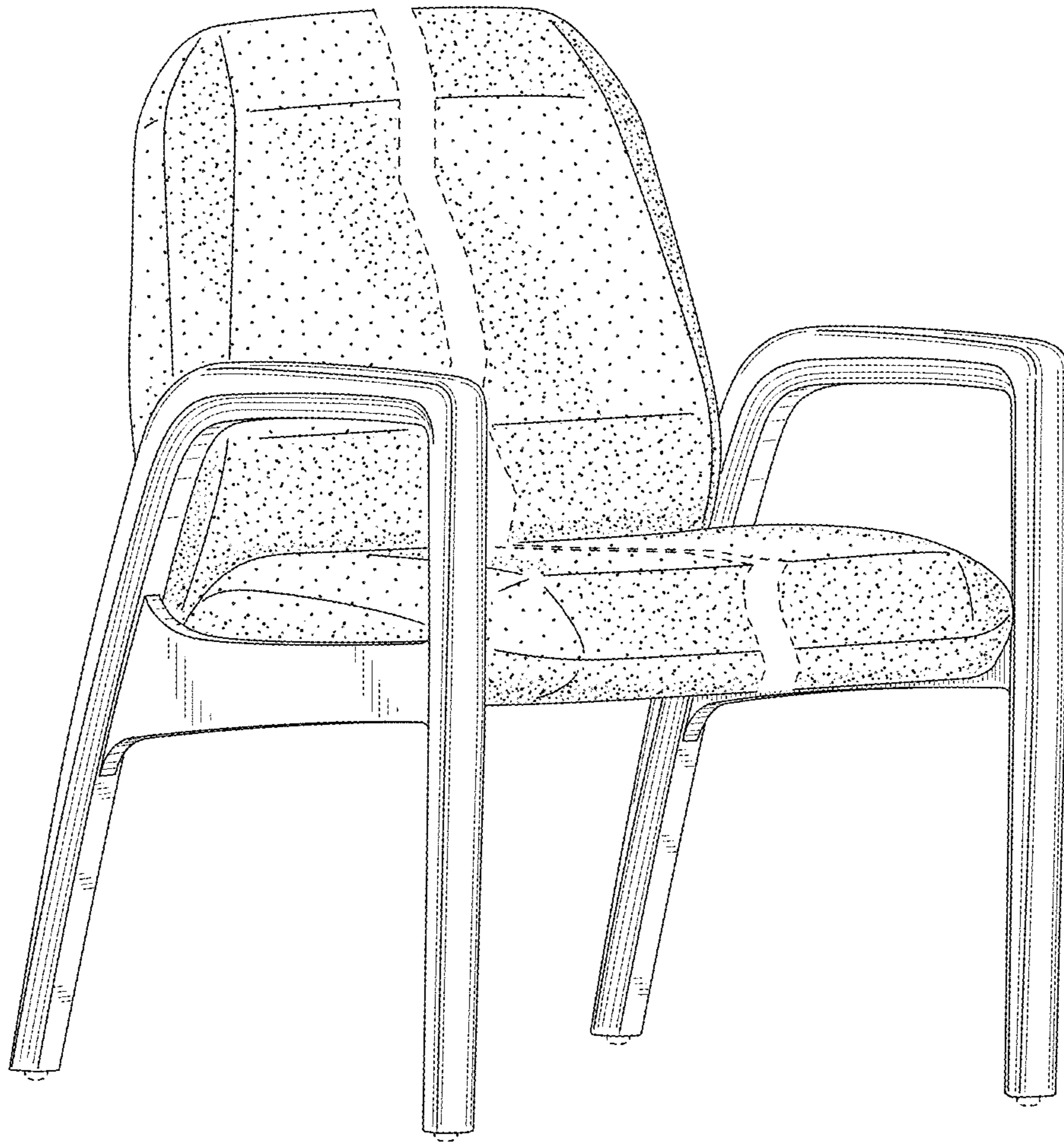


Fig. 1

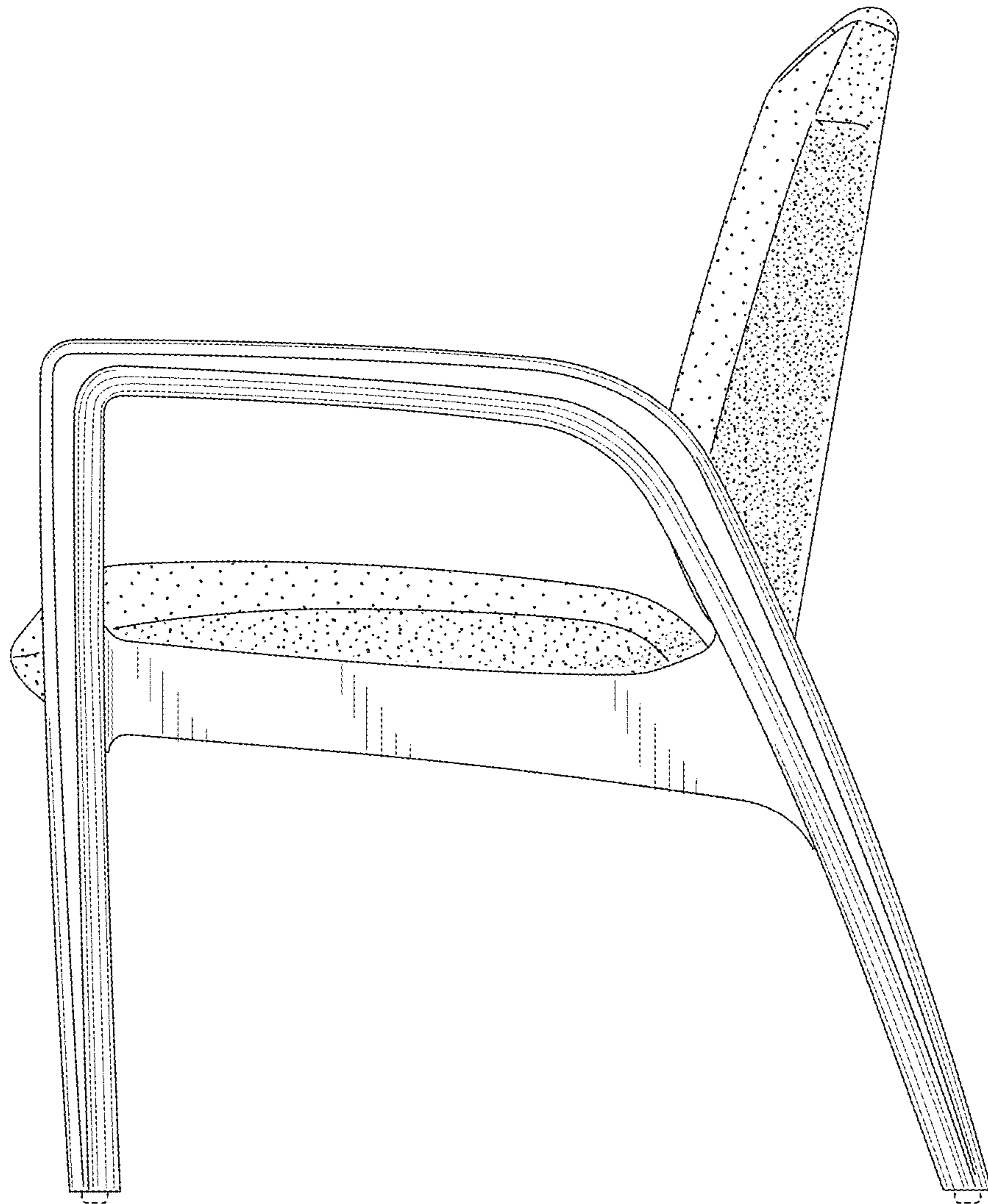


Fig. 2

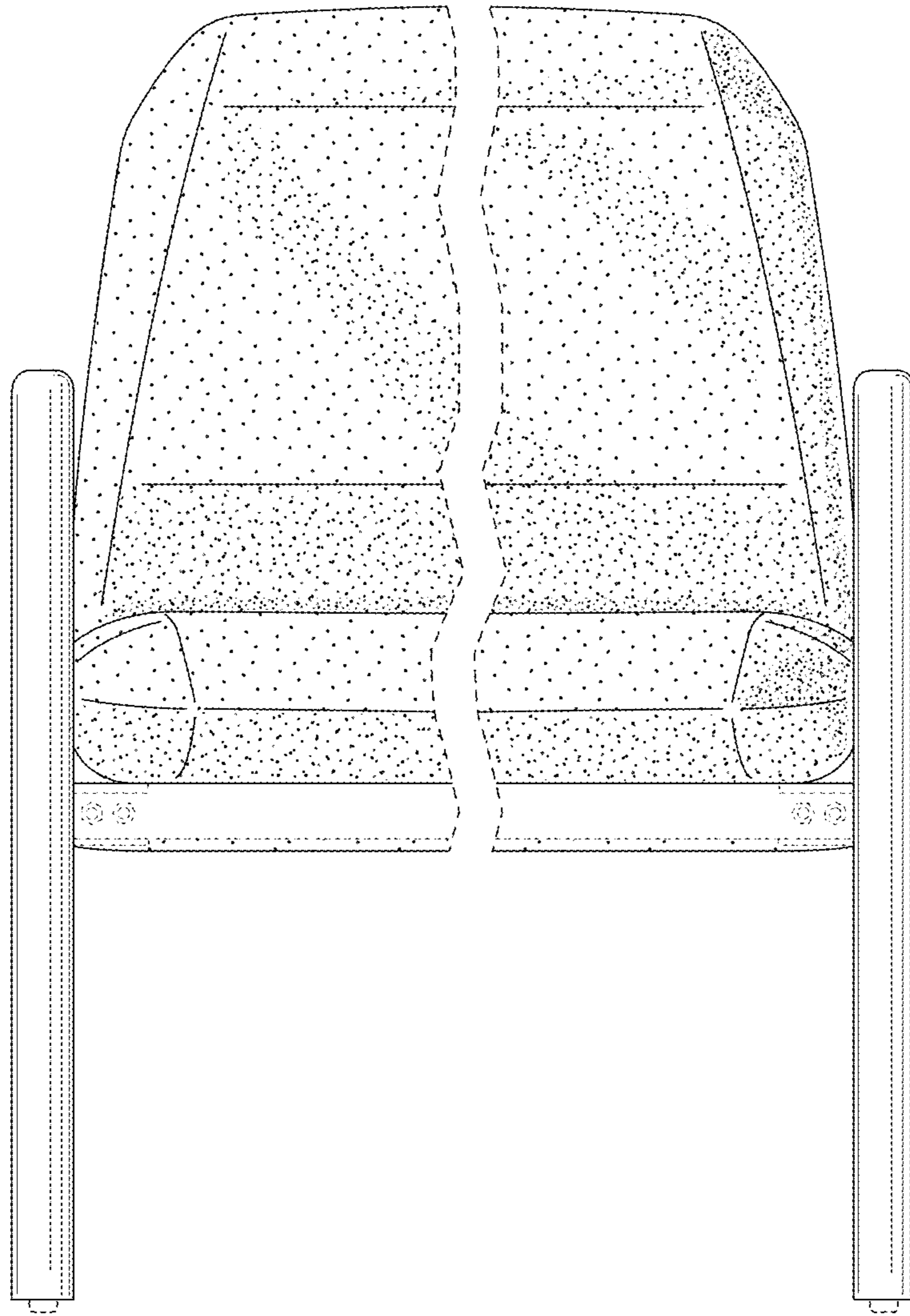


Fig. 3

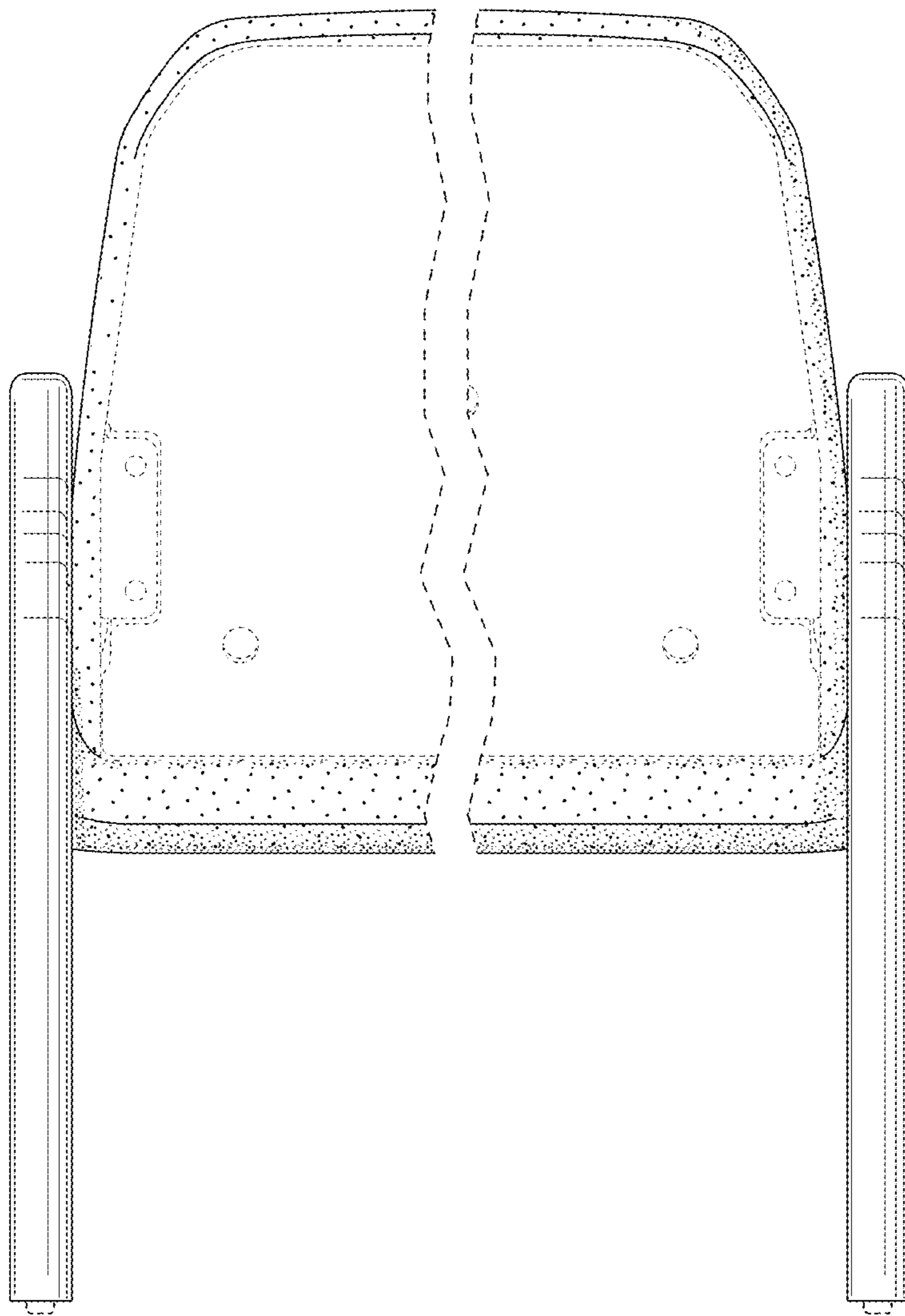


Fig. 4

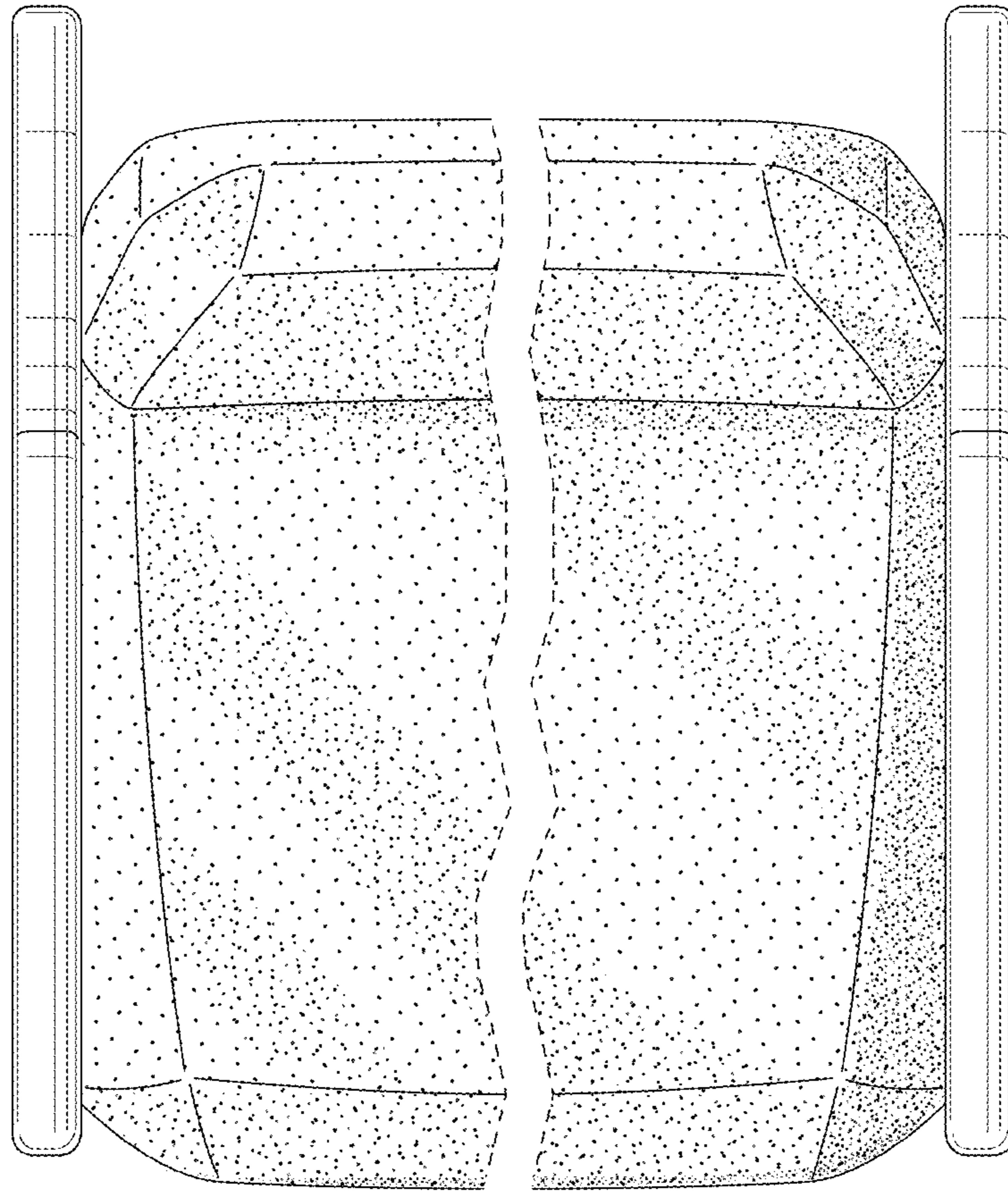


Fig. 5

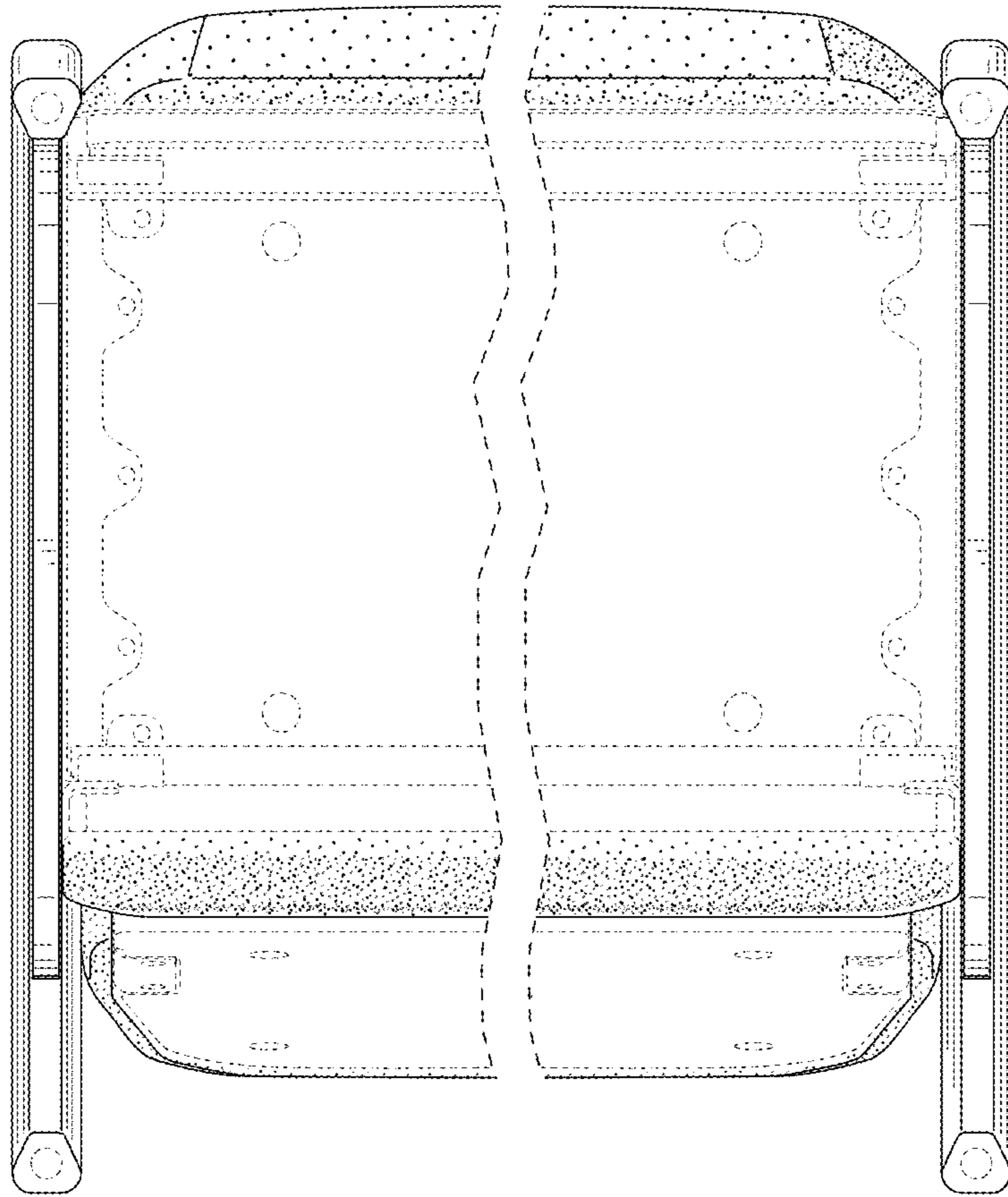


Fig. 6