



US00D809806S

(12) **United States Design Patent**
Ghiorghie

(10) **Patent No.:** **US D809,806 S**

(45) **Date of Patent:** **** Feb. 13, 2018**

(54) **MIRROR**

(71) Applicant: **InterDesign, Inc.**, Solon, OH (US)

(72) Inventor: **Radu Alexandru Ghiorghie**, Copley, OH (US)

(73) Assignee: **InterDesign, Inc.**, Solon, OH (US)

(**) Term: **15 Years**

(21) Appl. No.: **29/544,496**

(22) Filed: **Nov. 4, 2015**

(51) **LOC (11) Cl.** **06-07**

(52) **U.S. Cl.**
USPC **D6/312**

(58) **Field of Classification Search**
USPC D6/300-314; D10/122, 123, 126;
D24/139; D20/10, 21, 29-32; D26/44,
D26/56, 63; D8/352; 359/879, 871;
40/735, 738, 597, 744, 745, 754, 765,
40/768, 769, 790, 798; 248/466-467
CPC A45D 42/16; A47G 1/02; F21V 33/004
See application file for complete search history.

2,565,256 A * 8/1951 Myers A47G 1/02
219/219

D252,832 S * 9/1979 Bowser D26/85

D276,012 S * 10/1984 Westcott D6/301

D407,119 S * 3/1999 Kwan D20/21

D437,492 S * 2/2001 Wai D6/309

D460,865 S * 7/2002 Keller D6/302

D486,963 S * 2/2004 Prince D6/309

D524,059 S * 7/2006 Mohundro D6/300

D532,980 S * 12/2006 Hutton D6/300

D639,077 S * 6/2011 DeBretton Gordon D6/310

D698,160 S * 1/2014 Spall D6/303

* cited by examiner

Primary Examiner — David G Muller
Assistant Examiner — Nathan M Johnston
 (74) *Attorney, Agent, or Firm* — Calfee, Halter & Griswold, LLP

(56) **References Cited**
 U.S. PATENT DOCUMENTS

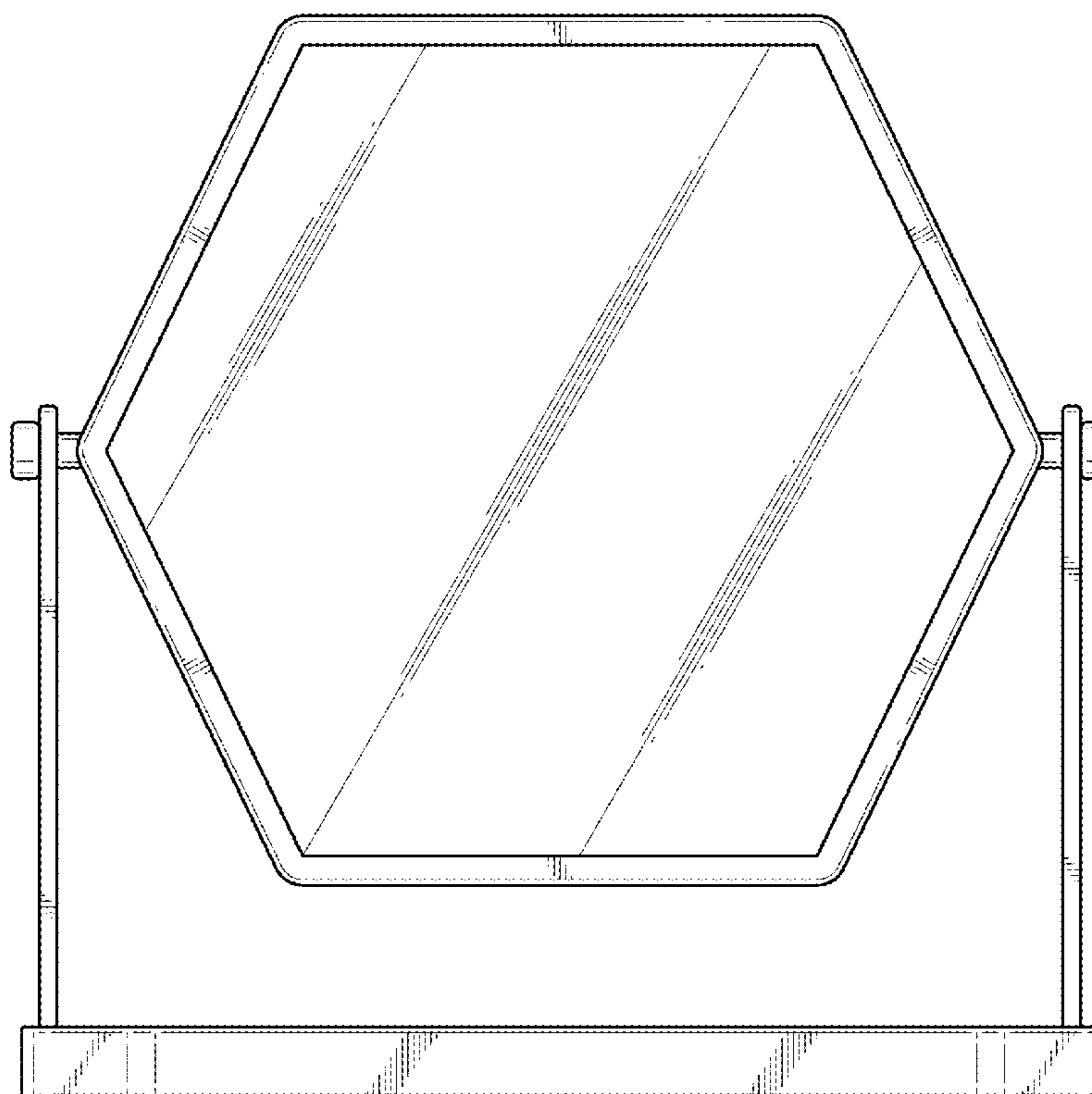
D41,429 S * 6/1911 Golden D6/309
 D158,526 S * 5/1950 Staude D6/312

(57) **CLAIM**
 I claim the ornamental design for a mirror, as shown and described.

DESCRIPTION

FIG. 1 is a front elevational view of a mirror;
 FIG. 2 is a rear elevational view thereof;
 FIG. 3 is a right side elevational view thereof; and,
 FIG. 4 is a top plan view thereof.
 The broken lines form no part of the claimed design.

1 Claim, 4 Drawing Sheets



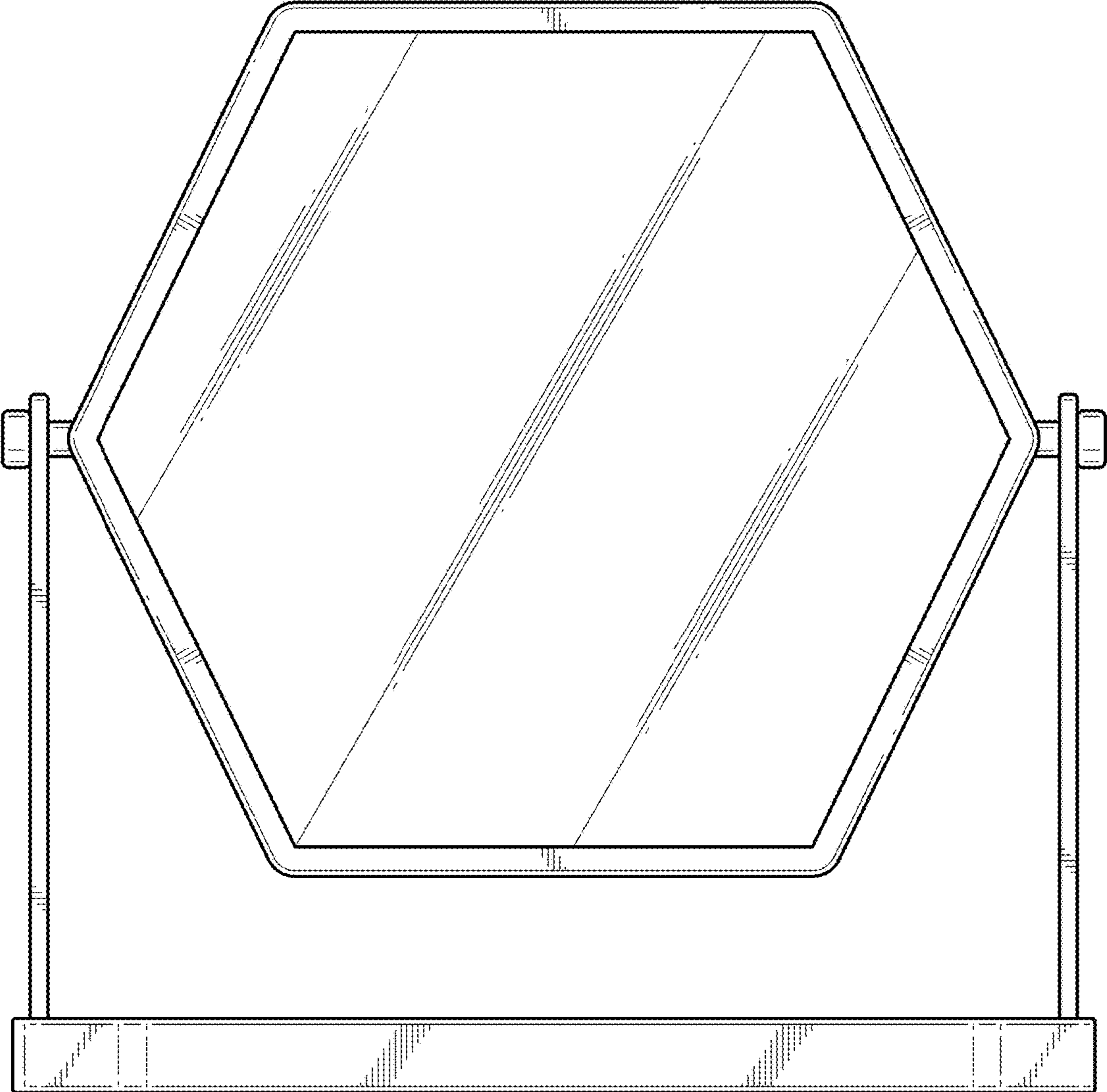


FIG. 1

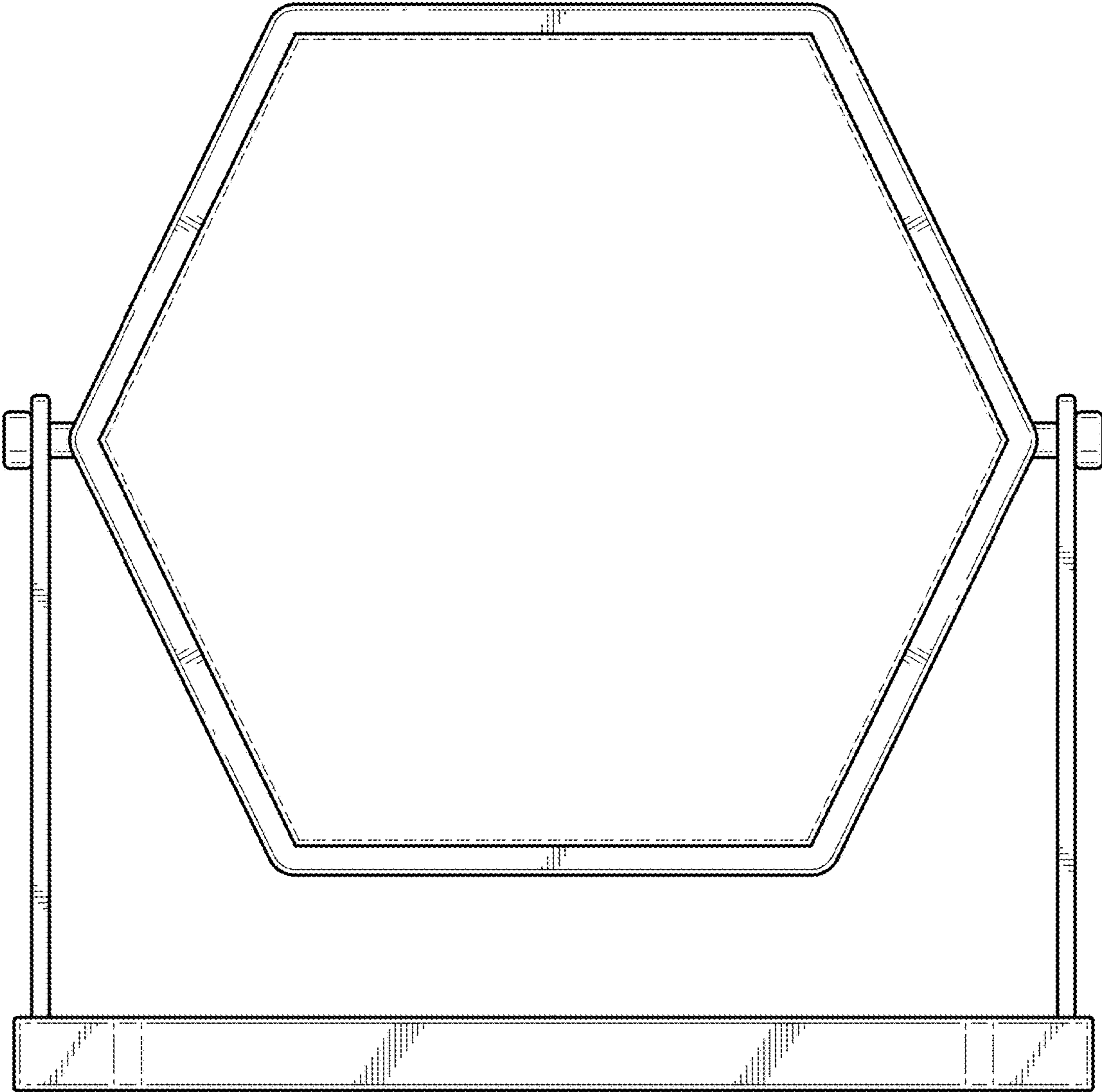


FIG. 2

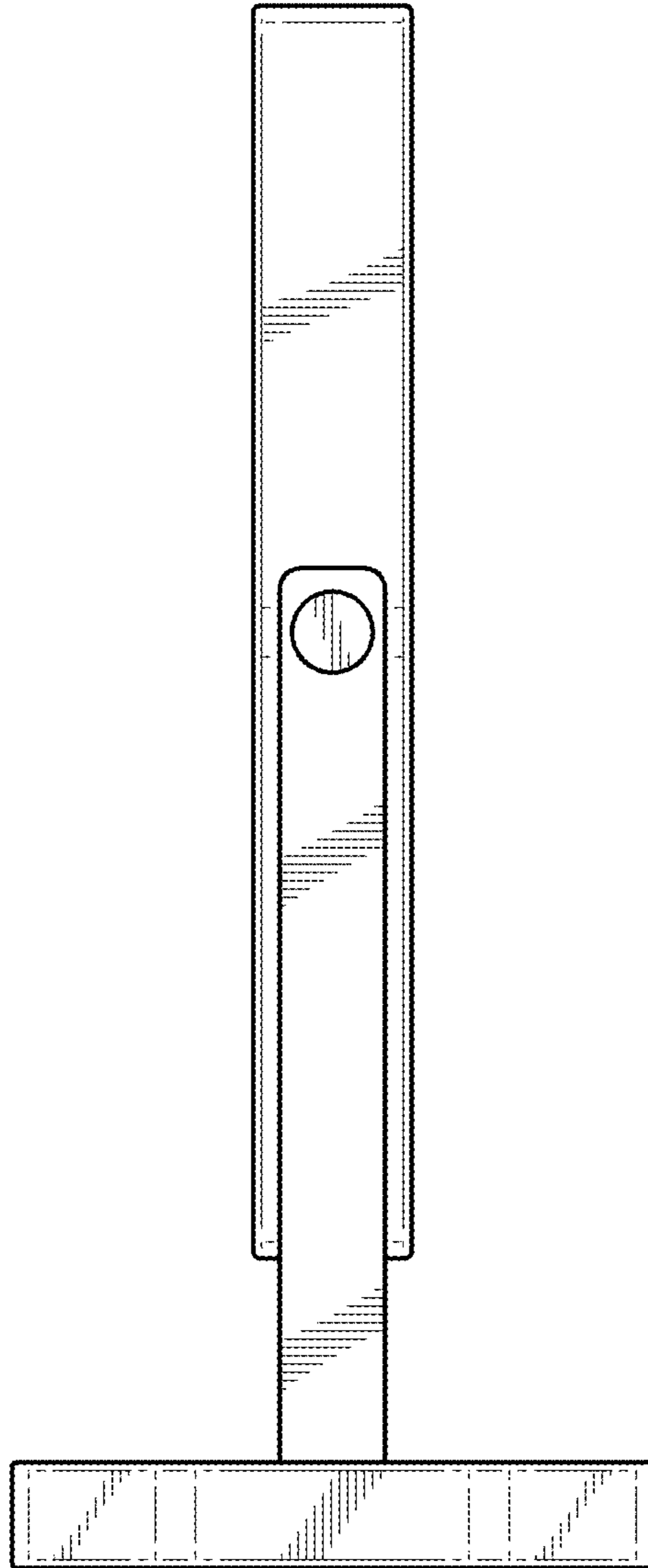


FIG. 3

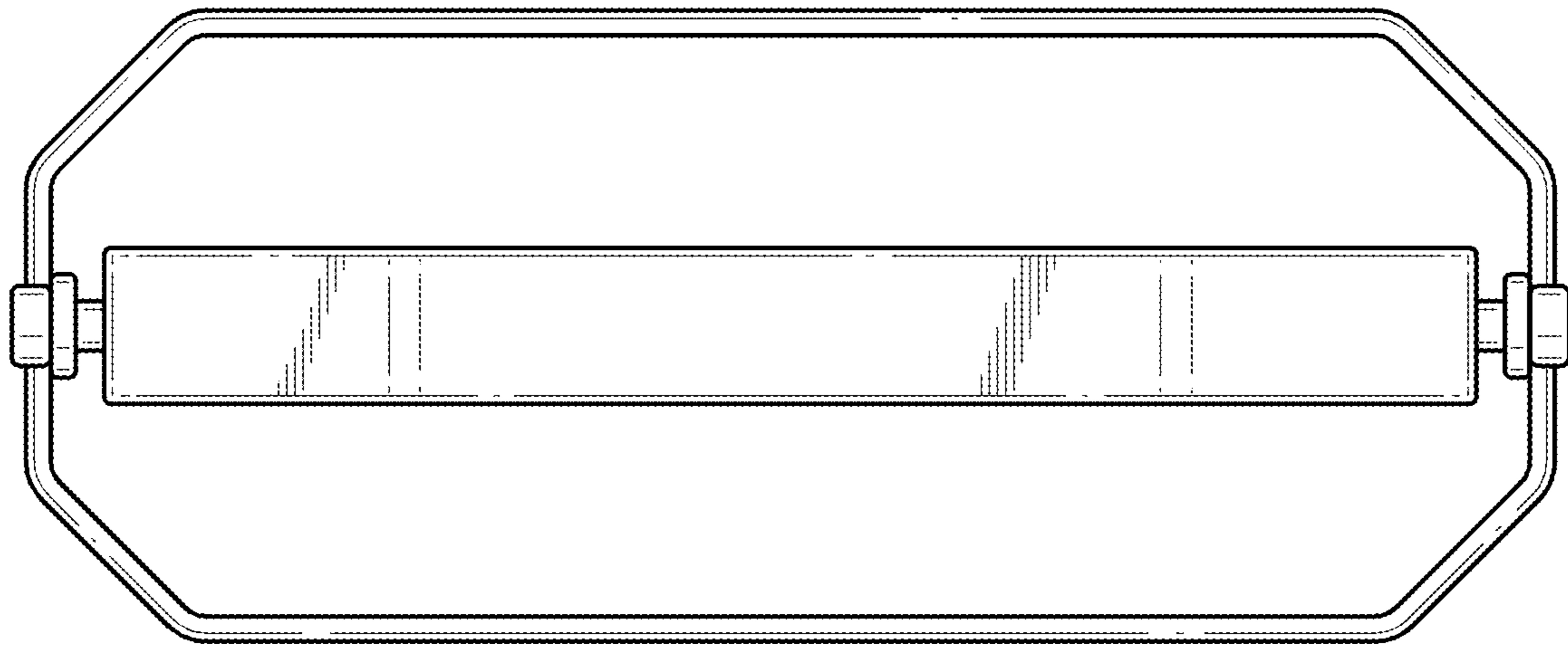


FIG. 4