



US00D809800S

(12) **United States Design Patent** (10) **Patent No.:** **US D809,800 S**  
**Komatsu et al.** (45) **Date of Patent:** **\*\* Feb. 13, 2018**

(54) **LUGGAGE BOX LID FOR A MOTORCYCLE**

(71) Applicant: **Honda Motor Co., Ltd.**, Tokyo (JP)

(72) Inventors: **Akihiro Komatsu**, Wako (JP); **Shinji Nagano**, Wako (JP)

(73) Assignee: **HONDA MOTOR CO., LTD.**, Tokyo (JP)

(\*\*) Term: **15 Years**

(21) Appl. No.: **29/553,964**

(22) Filed: **Feb. 5, 2016**

(30) **Foreign Application Priority Data**

Aug. 7, 2015 (JP) ..... 2015-017538

(51) **LOC (11) Cl.** ..... **03-01**

(52) **U.S. Cl.**  
USPC ..... **D3/321**; D12/409

(58) **Field of Classification Search**  
USPC ..... D3/201, 204, 216, 272-275, 279, 280, D3/282, 283, 284, 288, 289, 294, 309, D3/315, 318, 321, 322, 323, 902; D5/1, D5/2, 4, 47, 54, 58, 59, 62; D9/430-433; D10/49, 50, 60, 103, 125, 132; D12/406, D12/409, 410, 412, 413, 92, 173, 202, D12/203; D14/341, 443, 448, 451; D24/185; D25/48.8, 141, 152, 153, 30, D25/48.1-48.4, 55-58, 60, 138, 199; D34/25; D8/16, 403, 404  
CPC ..... A45C 5/00; A45C 5/03; A45C 2005/032; A45C 2005/035; A45C 2005/037  
See application file for complete search history.

(56) **References Cited**

**U.S. PATENT DOCUMENTS**

D236,456 S \* 8/1975 Pelton et al. .... D12/413  
D240,415 S \* 7/1976 Schoening ..... D12/413

D341,349 S \* 11/1993 Shtrowise ..... D12/410  
D343,603 S \* 1/1994 Kamata ..... D12/413  
D351,824 S \* 10/1994 Bednar ..... D12/423  
D374,423 S \* 10/1996 Downey, II ..... D12/423  
D410,620 S \* 6/1999 Sacco ..... D12/415  
D426,511 S \* 6/2000 Mehuron ..... D12/414.1  
D447,460 S \* 9/2001 Snook ..... D12/413  
D480,680 S \* 10/2003 Yonai ..... D12/410  
D513,602 S \* 1/2006 Lynch ..... D12/413  
D578,058 S \* 10/2008 Kea, Jr. .... D12/415  
D588,054 S \* 3/2009 Xi-Ren ..... D12/218  
D615,023 S \* 5/2010 Moburg ..... D12/415

(Continued)

**OTHER PUBLICATIONS**

The New Africa Twin Gets Farkled with Factory Accessories, posted at advpulse.com, posting date Oct. 20, 2015, [online], [site visited Feb. 8, 2017]. Available from Internet, <URL: <http://www.advpulse.com/adv-bikes/new-africa-twin-accessories-farkles/>>.\*

*Primary Examiner* — Susan E Krakower

*Assistant Examiner* — Lisa A Grabenstetter

(74) *Attorney, Agent, or Firm* — Birch, Stewart, Kolasch & Birch, LLP

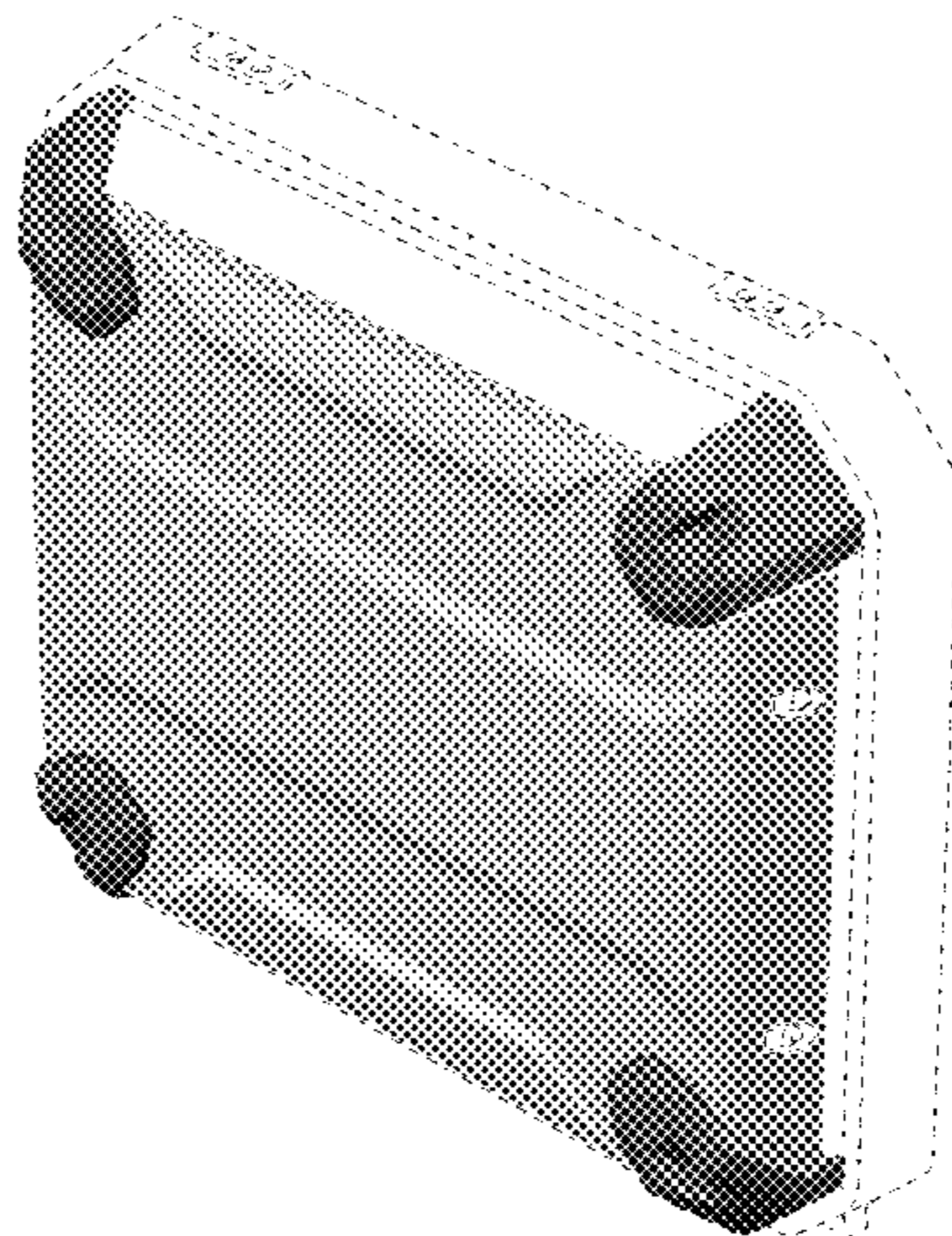
(57) **CLAIM**

The ornamental design for a luggage box lid for a motorcycle, as shown and described.

**DESCRIPTION**

FIG. 1 is a front and left side perspective view of a luggage box lid for a motorcycle, showing our new design; FIG. 2 is a rear and right side perspective view thereof; FIG. 3 is a front elevational view thereof; FIG. 4 is a top plan view thereof; FIG. 5 is a bottom plan view thereof; and, FIG. 6 is a right side elevational view thereof, the left side elevational view being a mirror image thereof. The broken lines and unshaded surfaces depict unclaimed portions of the luggage box lid.

**1 Claim, 6 Drawing Sheets**



(56)

**References Cited**

U.S. PATENT DOCUMENTS

|              |         |                       |                       |
|--------------|---------|-----------------------|-----------------------|
| D630,156 S * | 1/2011  | Farber .....          | D12/413               |
| D644,161 S * | 8/2011  | Fries .....           | D12/218               |
| D649,351 S * | 11/2011 | Willi .....           | D3/284                |
| D680,943 S * | 4/2013  | Avalos Sartorio ..... | D12/415               |
| D680,944 S * | 4/2013  | Aruga .....           | D12/418               |
| D701,814 S * | 4/2014  | Merchant .....        | D12/218               |
| D717,721 S * | 11/2014 | Guaresimo .....       | D12/414               |
| D720,680 S * | 1/2015  | Vitoorapakorn .....   | D12/414.1             |
| D723,980 S * | 3/2015  | Simons .....          | D12/114               |
| D725,581 S * | 3/2015  | Ringer .....          | D12/415               |
| D726,047 S * | 4/2015  | Laurino .....         | H04W 88/005<br>D10/78 |
| D729,722 S * | 5/2015  | Beadles .....         | D12/218               |

\* cited by examiner

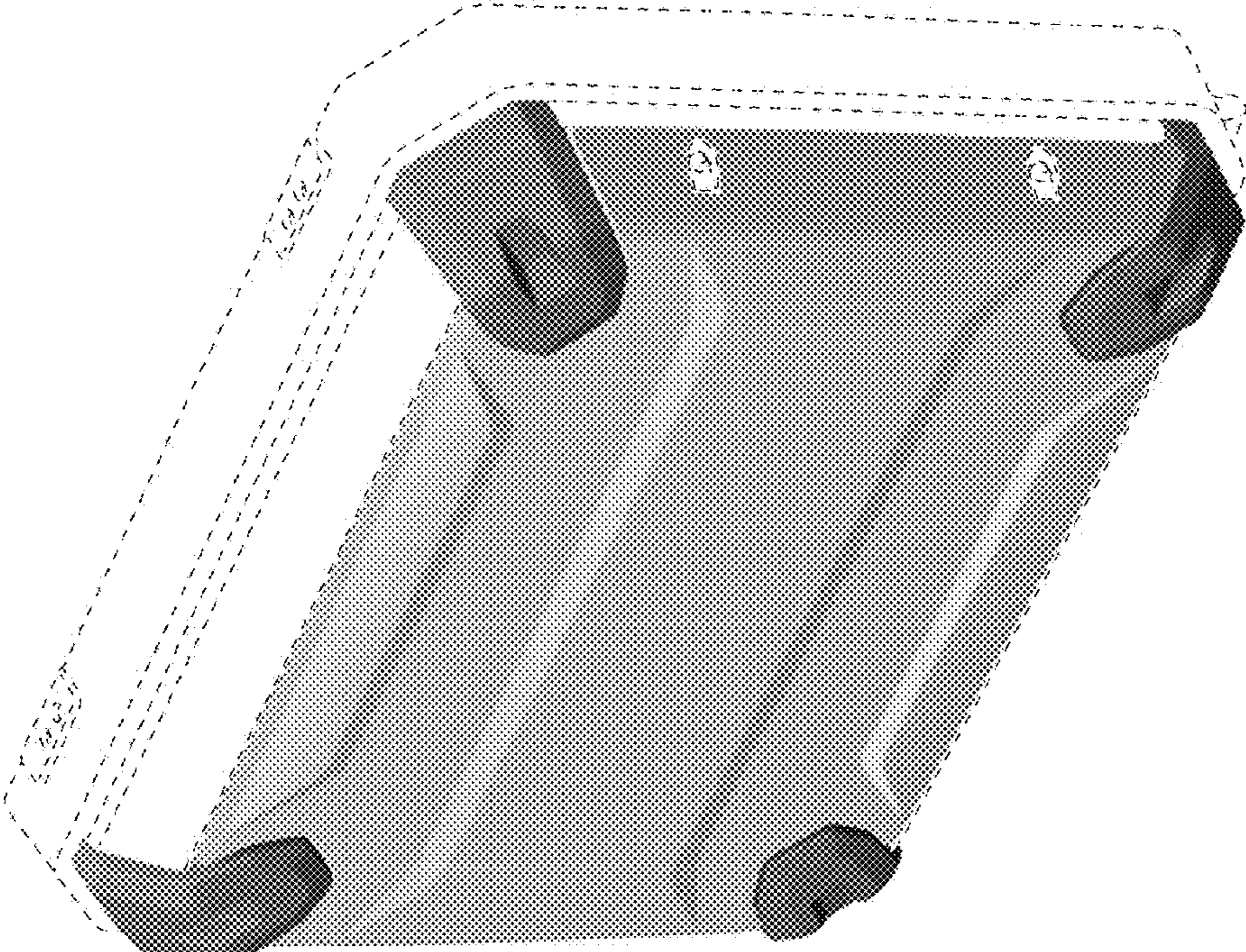


Fig. 1

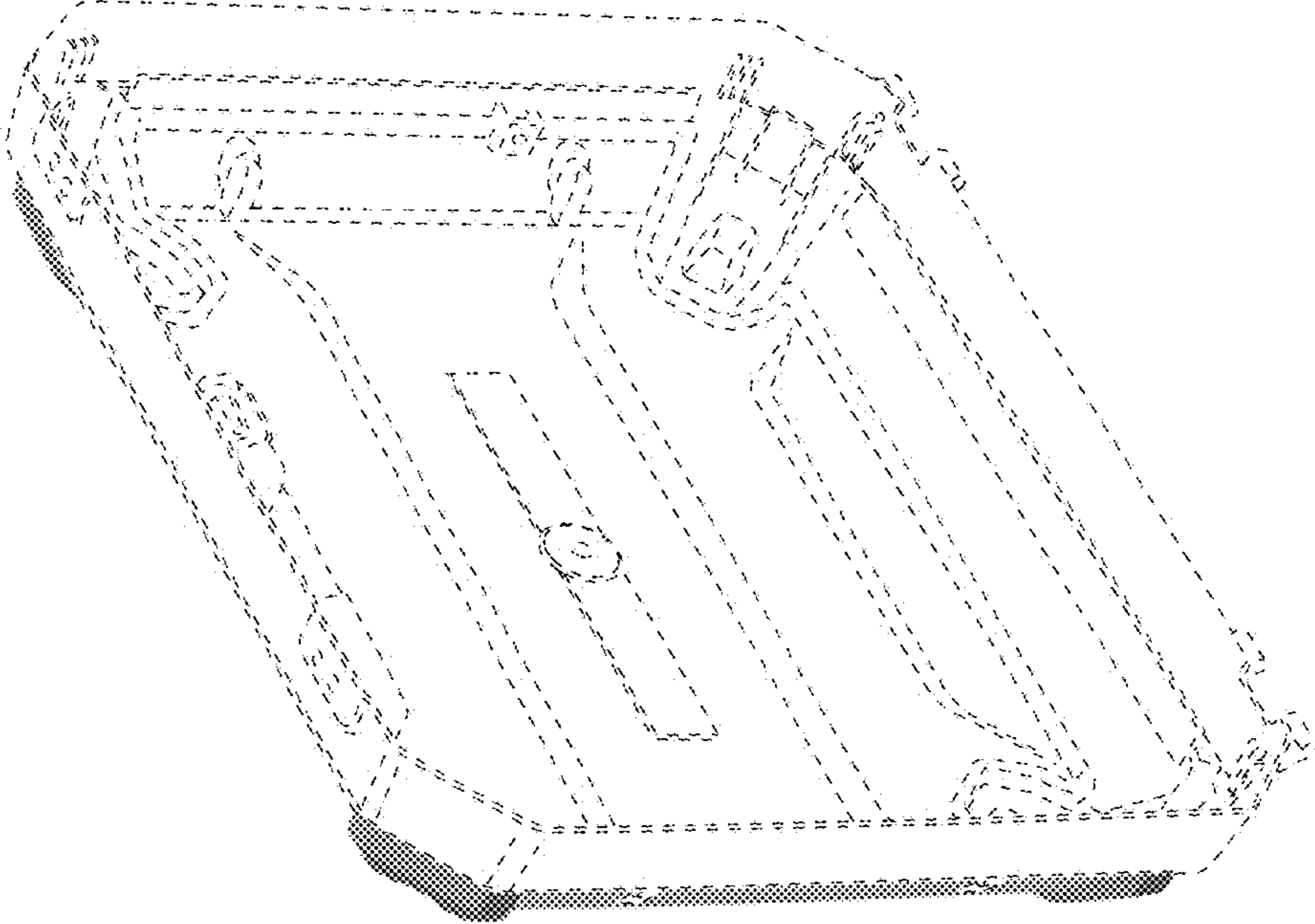


Fig. 2

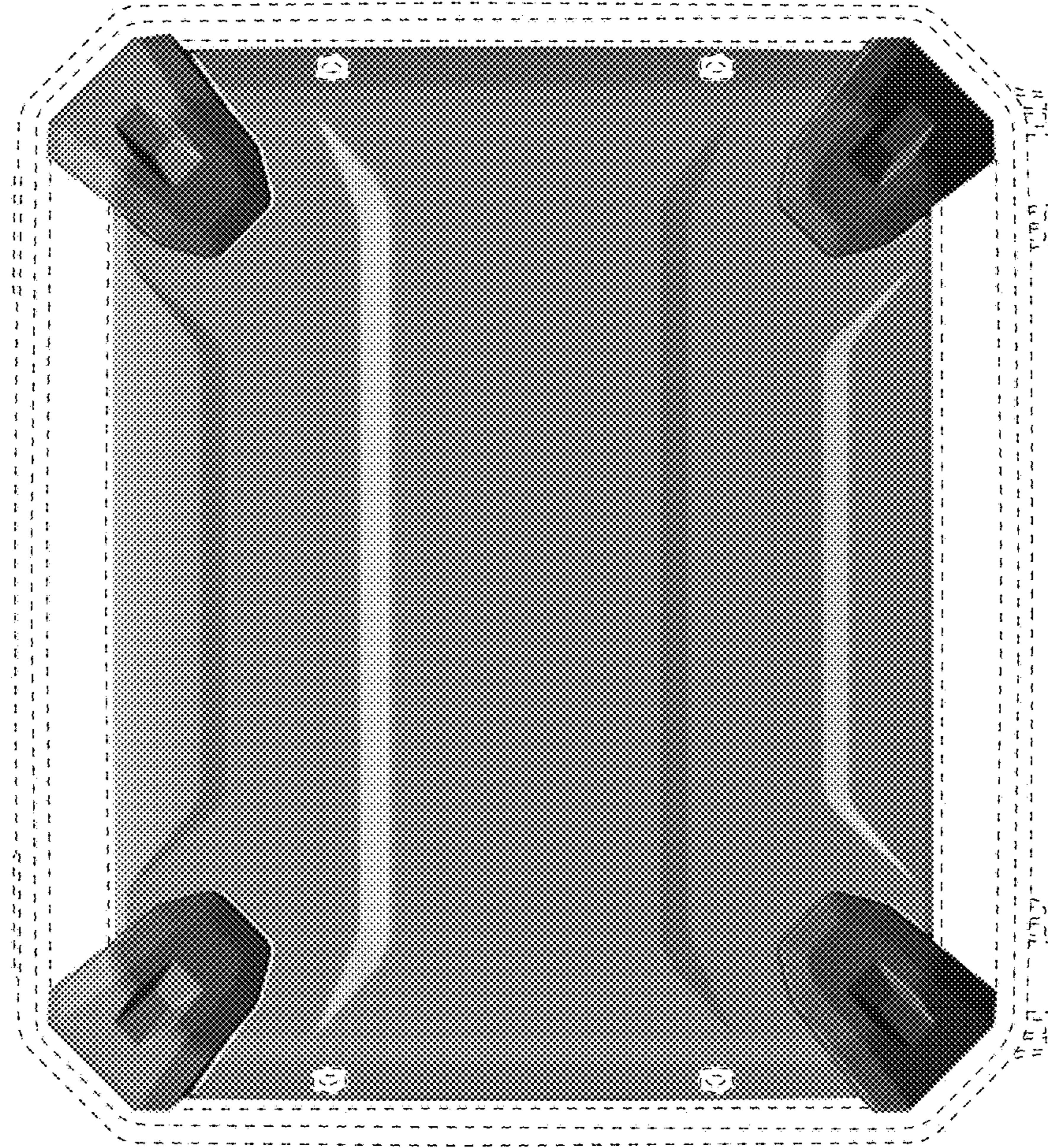


Fig.3

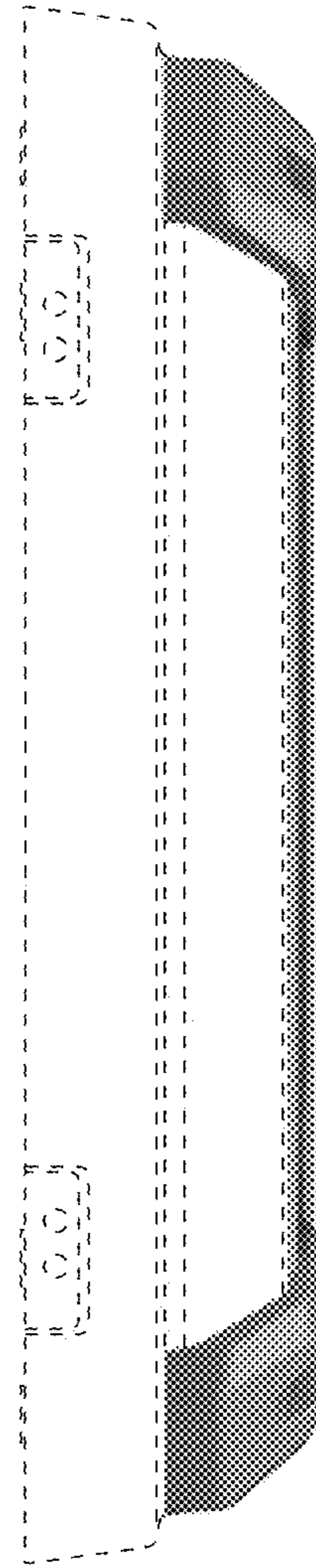
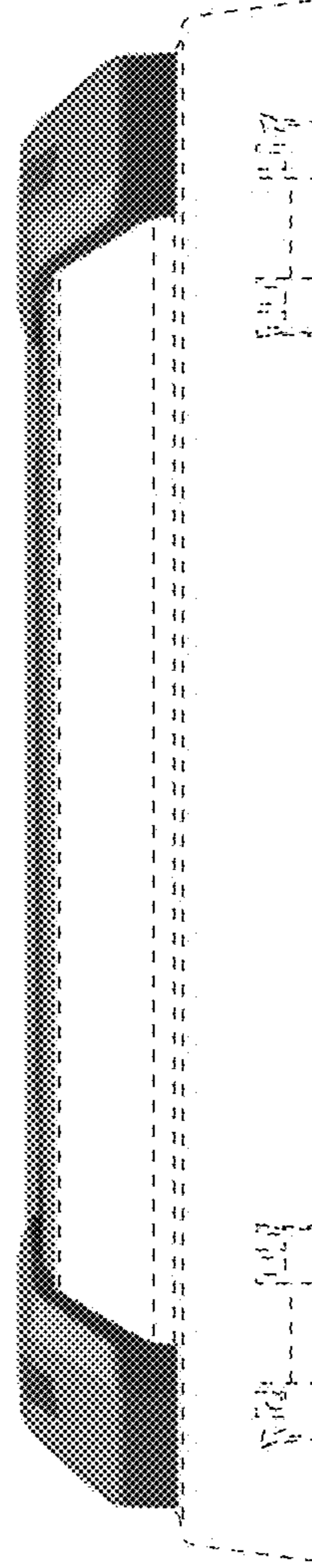


Fig.4

Fig. 5



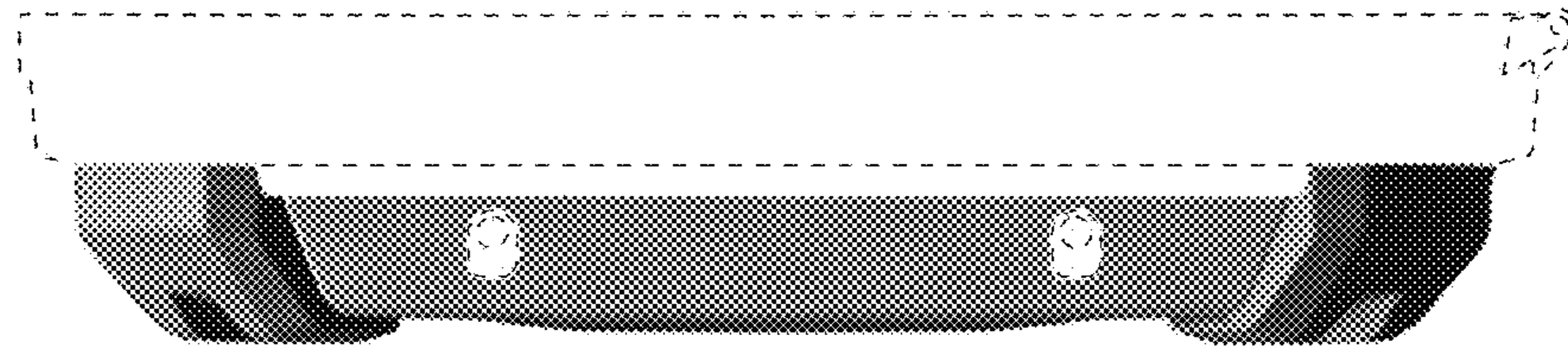


Fig. 6