



US00D809799S

(12) **United States Design Patent**
Pietruszewski et al.

(10) **Patent No.:** **US D809,799 S**
(45) **Date of Patent:** **** Feb. 13, 2018**

- (54) **BACKPACK STRAPS**
- (71) Applicant: **Nesel LLC**, Saint Paul, MN (US)
- (72) Inventors: **Martha Pietruszewski**, Saint Paul, MN (US); **Geoffrey Cole McCloskey**, Sun Prairie, WI (US)
- (73) Assignee: **Nesel LLC**, Saint Paul, MN (US)
- (**) Term: **15 Years**
- (21) Appl. No.: **29/585,366**
- (22) Filed: **Nov. 23, 2016**
- (51) **LOC (11) Cl.** **03-01**
- (52) **U.S. Cl.**
USPC **D3/318**
- (58) **Field of Classification Search**
USPC D3/216, 318
CPC A45F 4/02; A45F 3/04; A45C 7/00; A45C 9/00; A45C 13/08; A45C 13/30; A45C 15/06
See application file for complete search history.

- 5,961,014 A * 10/1999 Knerr A45F 3/04 224/153
- 6,607,107 B2 * 8/2003 Dexheimer A45F 3/04 224/262
- D699,940 S * 2/2014 Robert D3/216
- 9,439,501 B2 * 9/2016 Demskey A45F 3/14
- D778,051 S * 2/2017 Johnson D3/318
- D778,615 S * 2/2017 Georges D3/216

* cited by examiner

Primary Examiner — Holly H Baynham
(74) *Attorney, Agent, or Firm* — Winthrop & Weinstine, P.A.

(57) **CLAIM**

The ornamental design for backpack straps, as shown and described.

DESCRIPTION

FIG. 1 is an isometric view of backpack straps for a backpack;
FIG. 2 is a front view of the backpack straps of FIG. 1;
FIG. 3 is a rear view of the backpack straps of FIG. 1;
FIG. 4 is a left side view of the backpack straps of FIG. 1;
FIG. 5 is a right side view of the backpack straps of FIG. 1;
FIG. 6 is a top view of the backpack straps of FIG. 1; and
FIG. 7 is a bottom view of the backpack straps of FIG. 1.
The broken lines of FIGS. 1-7 are provided for purposes of illustration and form no part of the claimed design of the present invention.

(56) **References Cited**

U.S. PATENT DOCUMENTS

- D311,813 S * 11/1990 Oliver D3/216
- 5,012,964 A * 5/1991 Falletta A45F 3/04 224/153
- D406,942 S * 3/1999 Santoro D3/216

1 Claim, 7 Drawing Sheets

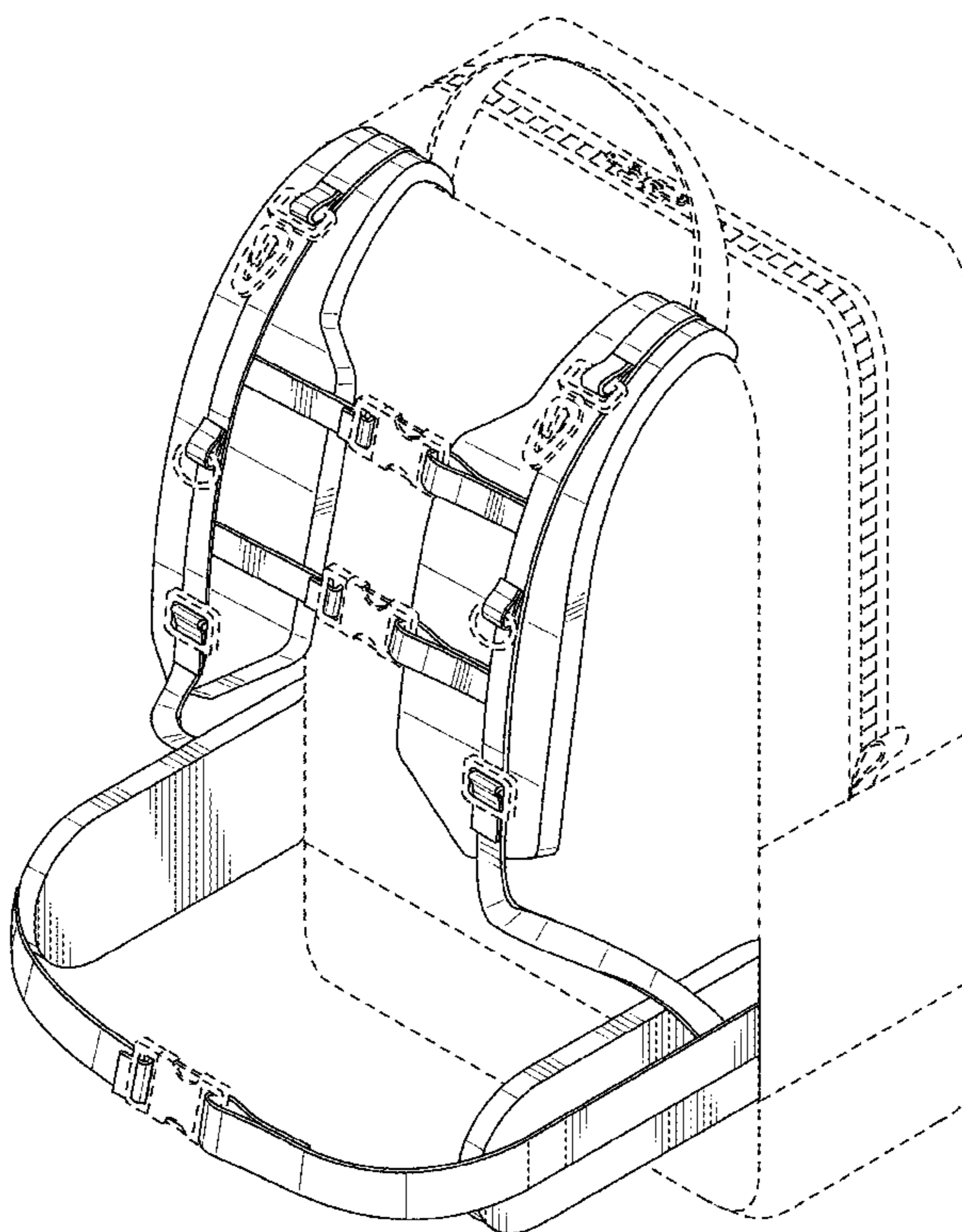


Fig. 1

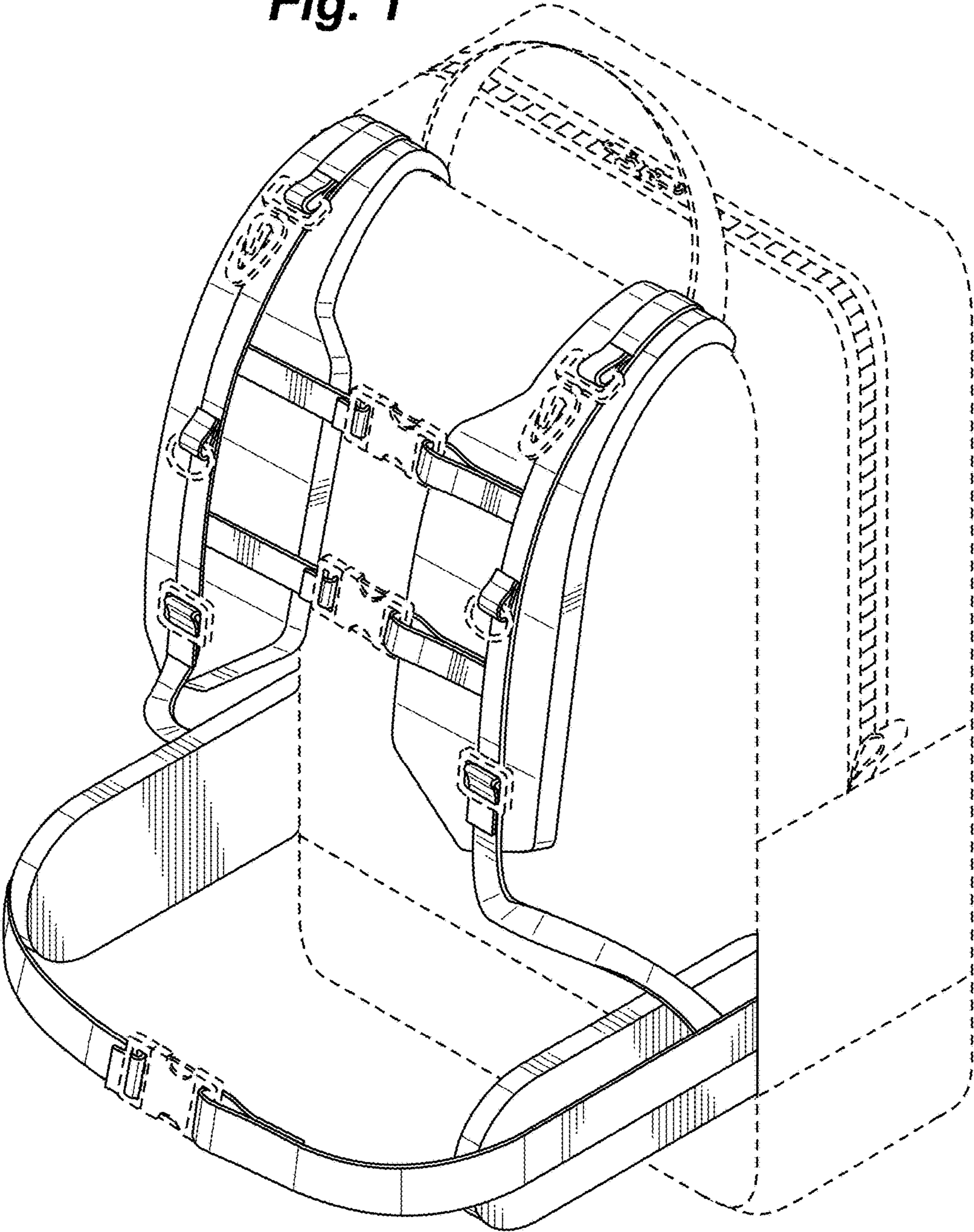


Fig. 2

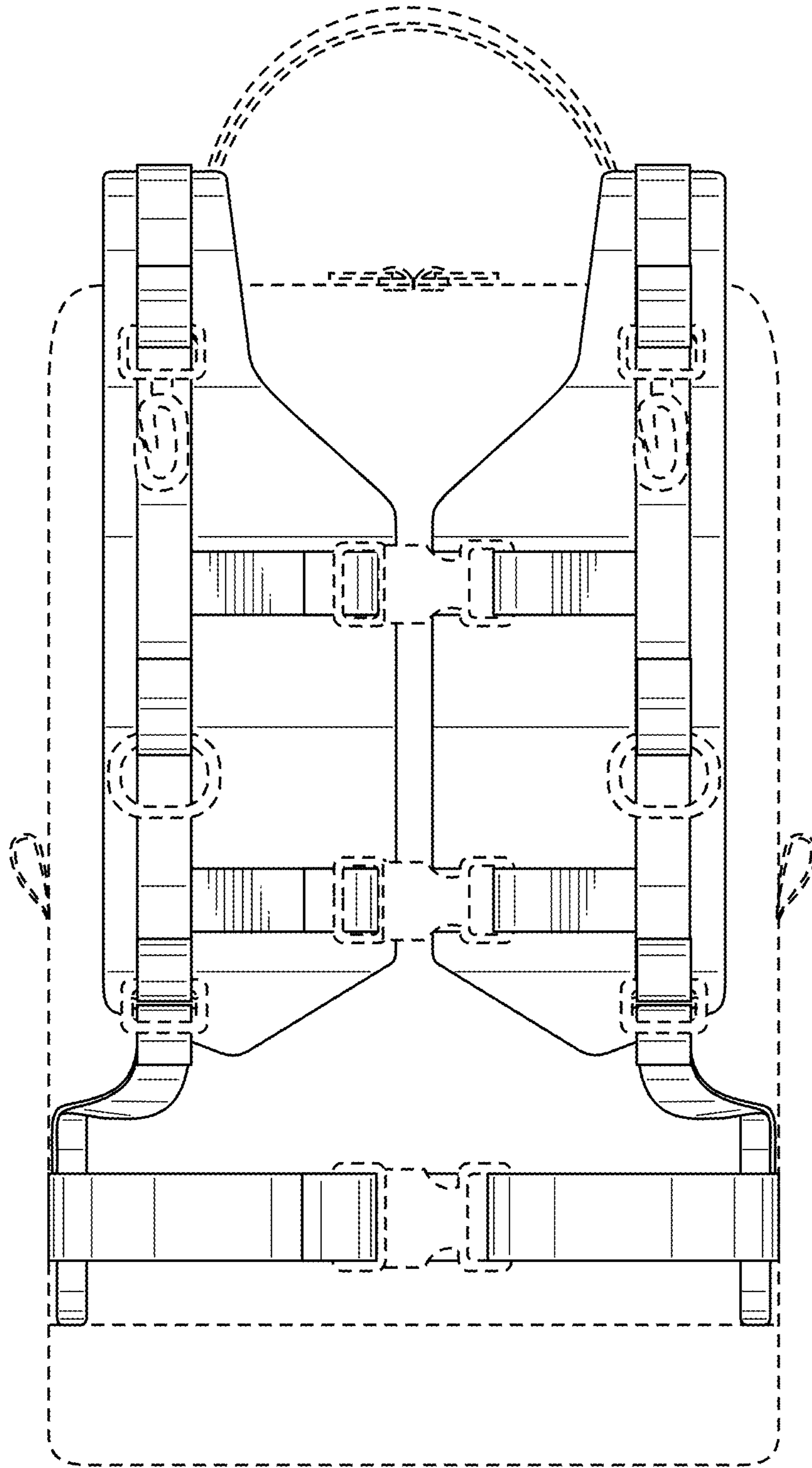


Fig. 3

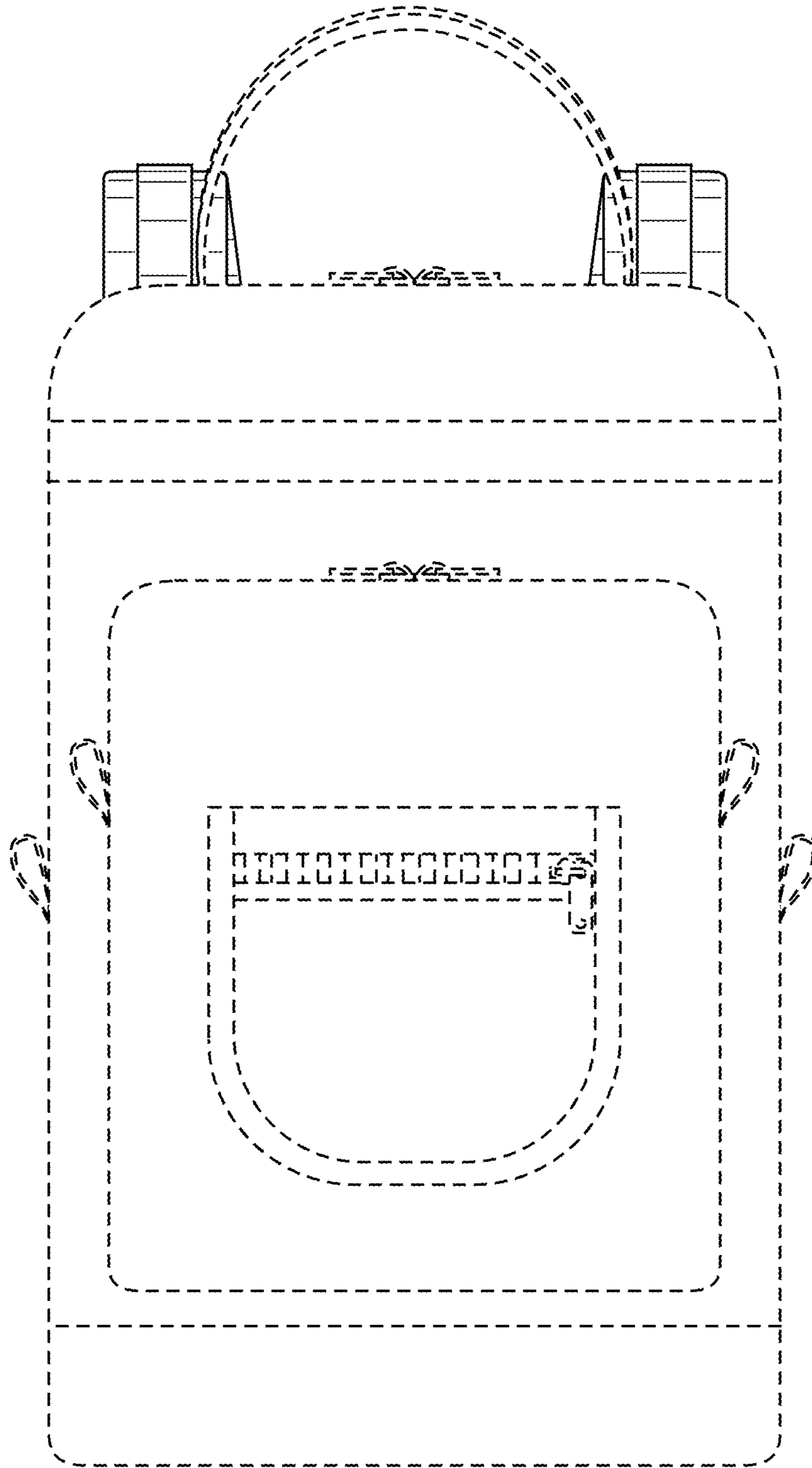


Fig. 4

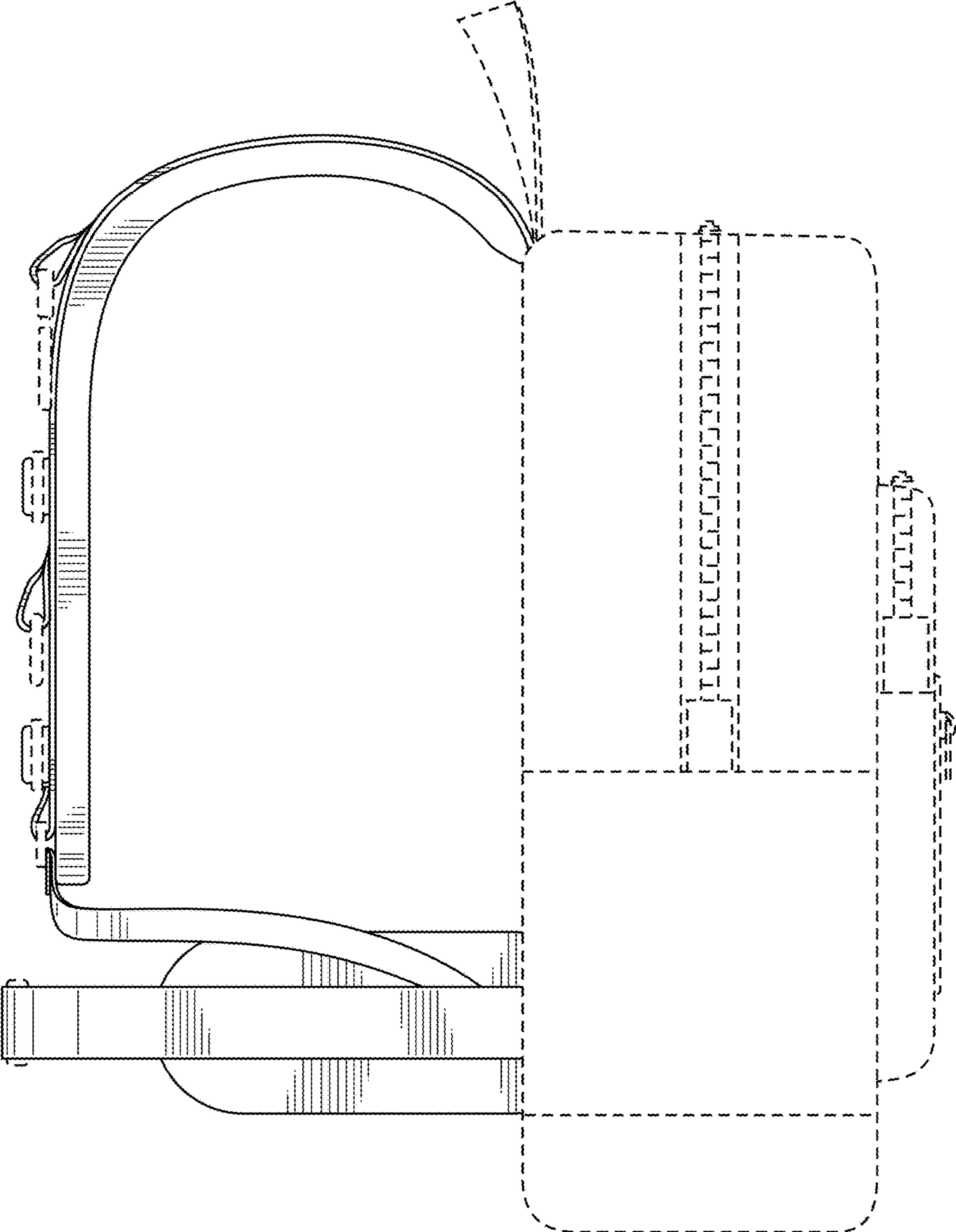


Fig. 5

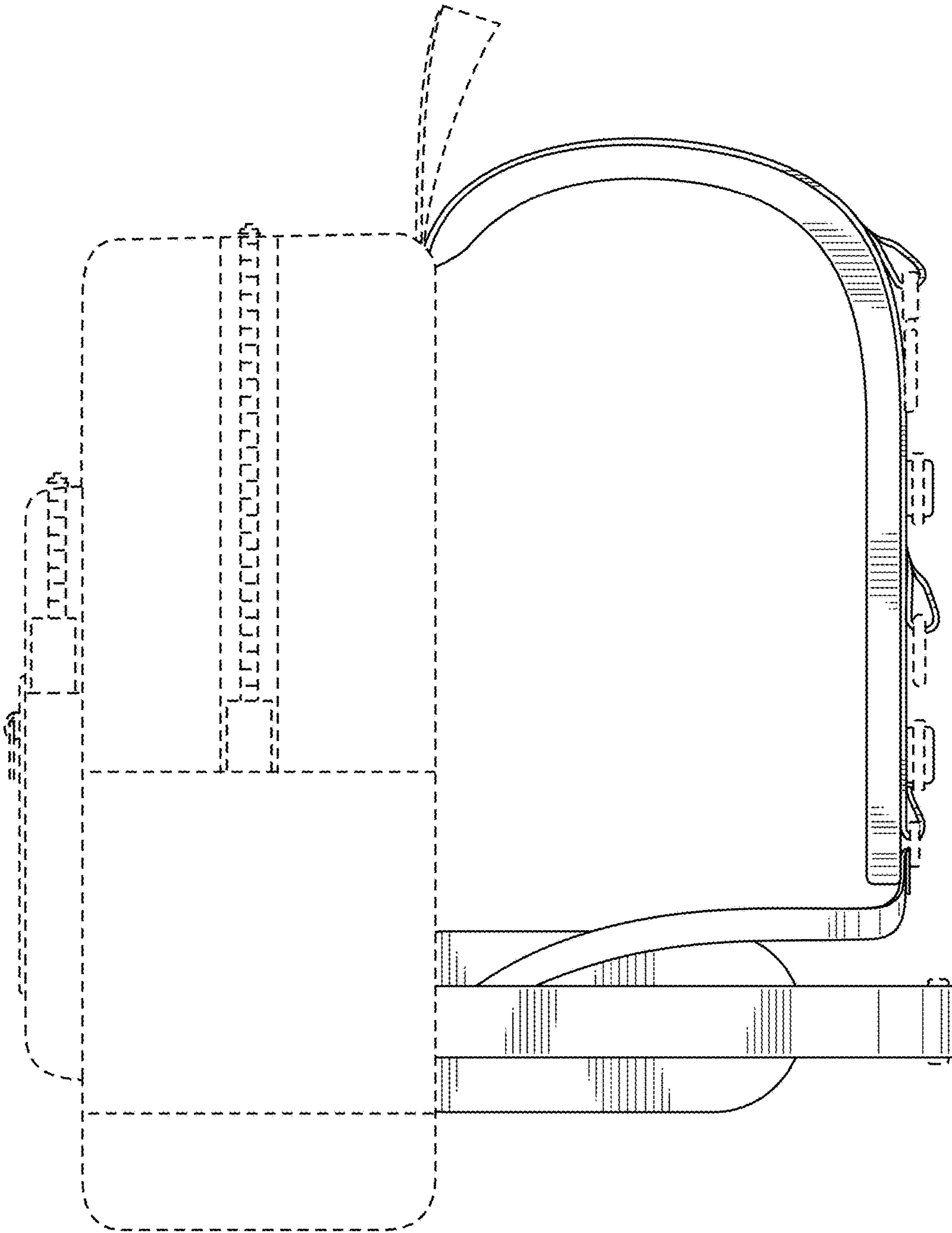


Fig. 6

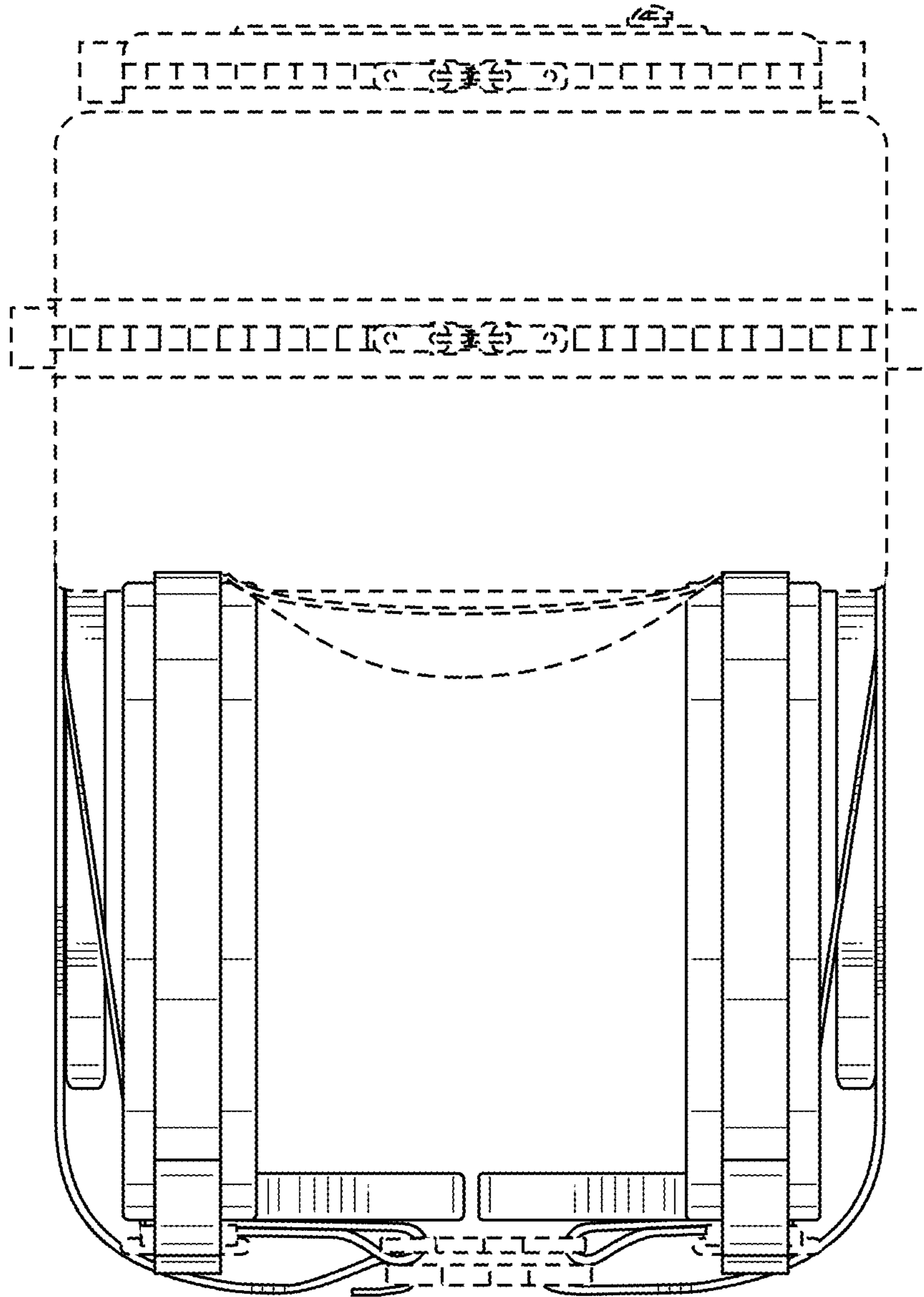


Fig. 7

