



US00D809798S

(12) **United States Design Patent** (10) **Patent No.:** **US D809,798 S**
Hernández (45) **Date of Patent:** **** Feb. 13, 2018**

(54) **REUSABLE BAG**

(71) Applicant: **Hector Hernández**, San Juan, PR (US)

(72) Inventor: **Hector Hernández**, San Juan, PR (US)

(**) Term: **15 Years**

(21) Appl. No.: **29/613,146**

(22) Filed: **Aug. 8, 2017**

(51) **LOC (11) Cl.** **03-01**

(52) **U.S. Cl.**
USPC **D3/309**

(58) **Field of Classification Search**
USPC D3/20, 26, 304, 305, 307–311, 315,
D3/318–319, 321–322
CPC .. A45C 3/00; A45C 3/001; A45C 3/04; A45C
7/00; A45C 7/0018; A45C 7/0059; B65D
37/00
See application file for complete search history.

(56) **References Cited**

U.S. PATENT DOCUMENTS

4,979,833	A	12/1990	Cook	
5,531,366	A	7/1996	Strom	
5,971,188	A	10/1999	Kellogg et al.	
D431,361	S *	10/2000	Kellogg	D3/304
D444,297	S	7/2001	Starck	
D489,179	S *	5/2004	Ho	D3/303
D508,320	S *	8/2005	Holland	D3/303
D524,542	S *	7/2006	Hardy	D3/309
D548,459	S	8/2007	Harvey	
D562,555	S	2/2008	Shapiro et al.	
7,353,963	B1 *	4/2008	Sabounjian	D06F 95/002 220/754
D572,472	S	7/2008	Sellier	
D603,606	S *	11/2009	Wang	D3/232
D622,960	S *	9/2010	Sabounjian	D3/305
D630,013	S	1/2011	Yu	
D630,844	S	1/2011	Wang et al.	
D645,625	S *	9/2011	Pelosi	D32/37
D697,310	S *	1/2014	Snider	D3/306

D711,096	S *	8/2014	Hanna	D3/232
D720,131	S	12/2014	Siegel	
D732,294	S *	6/2015	Hu	D3/319
D759,370	S *	6/2016	Godzich	D3/216
D763,575	S *	8/2016	Tiscareno-Rippe	D3/290

(Continued)

FOREIGN PATENT DOCUMENTS

CA	2719261	A1	4/2012
CN	101810388	A	8/2010

(Continued)

OTHER PUBLICATIONS

amazon.com, Trolley Bags—Reusable Eco Friendly Shopping Bags, 2015, <https://www.amazon.com/Trolley-Bags-Reusable-Friendly-Groceries/dp/B00UR7FI04>.

Primary Examiner — Kelley Donnelly
(74) *Attorney, Agent, or Firm* — Hogle & Pamias, PSC; Roberto J. Rios

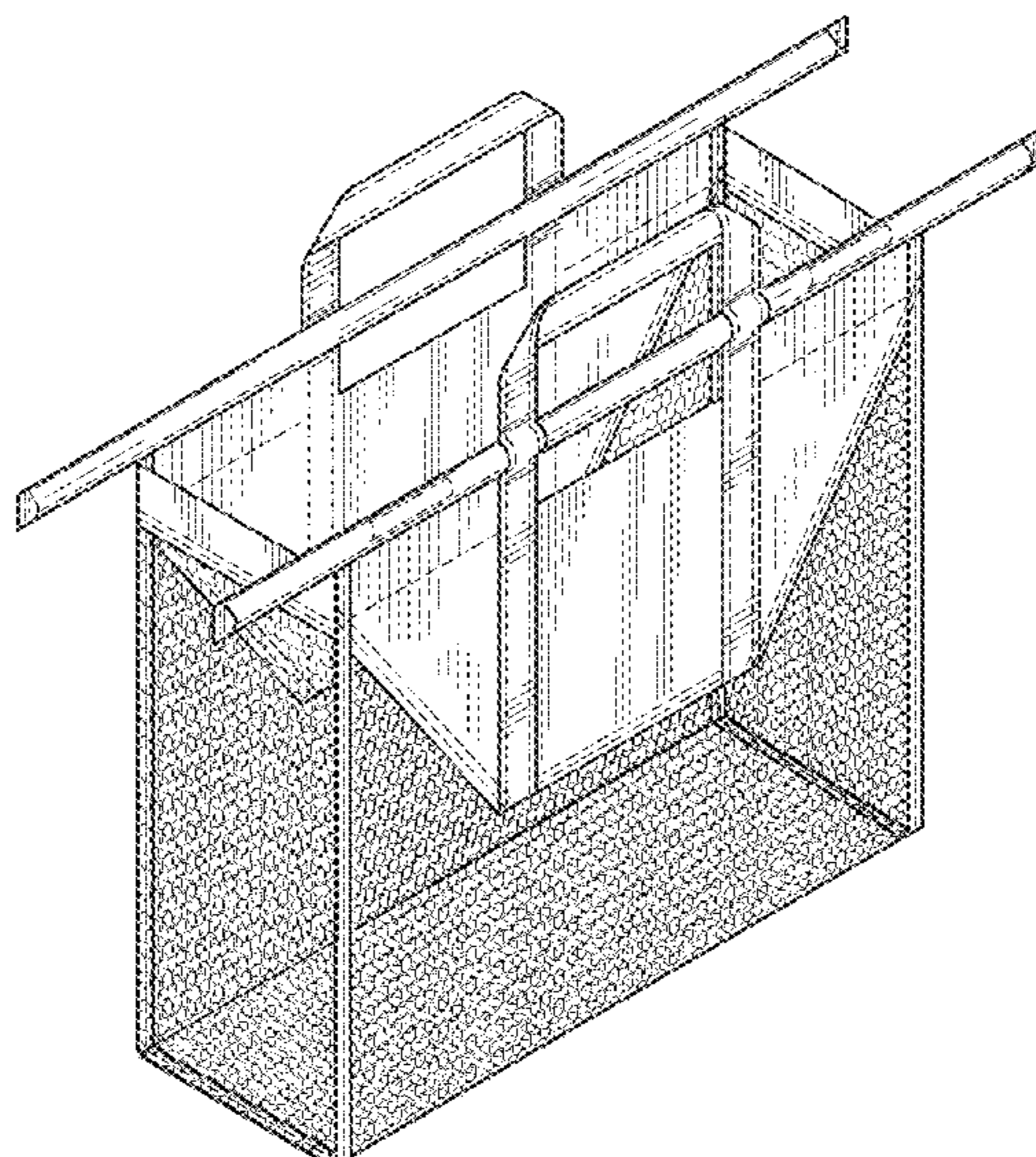
(57) **CLAIM**

The ornamental design for a reusable bag, as shown and described.

DESCRIPTION

FIG. 1 is a side perspective view of the reusable bag. FIG. 2 is another side perspective view of the reusable bag of FIG. 1. FIG. 3 is a front view of the reusable bag of FIG. 1. FIG. 4 is a rear view of the reusable bag of FIG. 1. FIG. 5 is a left side view of the reusable bag of FIG. 1. FIG. 6 is a right view of the reusable bag of FIG. 1. FIG. 7 is a top view of the reusable bag of FIG. 1; and, FIG. 8 is a bottom view of the reusable bag of FIG. 1. The broken lines are for the purpose of illustrating environmental structure only and form no part of the claimed design.

1 Claim, 6 Drawing Sheets



(56)

References Cited

U.S. PATENT DOCUMENTS

D767,278 S * 9/2016 Szucs D3/305
D768,378 S 10/2016 Schilp
D775,057 S * 12/2016 Meckler D12/407
D779,828 S 2/2017 Cronkshaw
D801,043 S * 10/2017 Lucas D3/246
2001/0020618 A1* 9/2001 Kellogg D06F 95/004
220/9.2
2010/0014785 A1 1/2010 Deck
2014/0369629 A1 12/2014 De La Fuente Lara
2015/0351507 A1 12/2015 Morrow
2017/0158377 A9 6/2017 Zivan

FOREIGN PATENT DOCUMENTS

FR 2769294 A1 4/1999
KR 20100029364 A 3/2010
WO WO2010031854 A1 3/2010

* cited by examiner

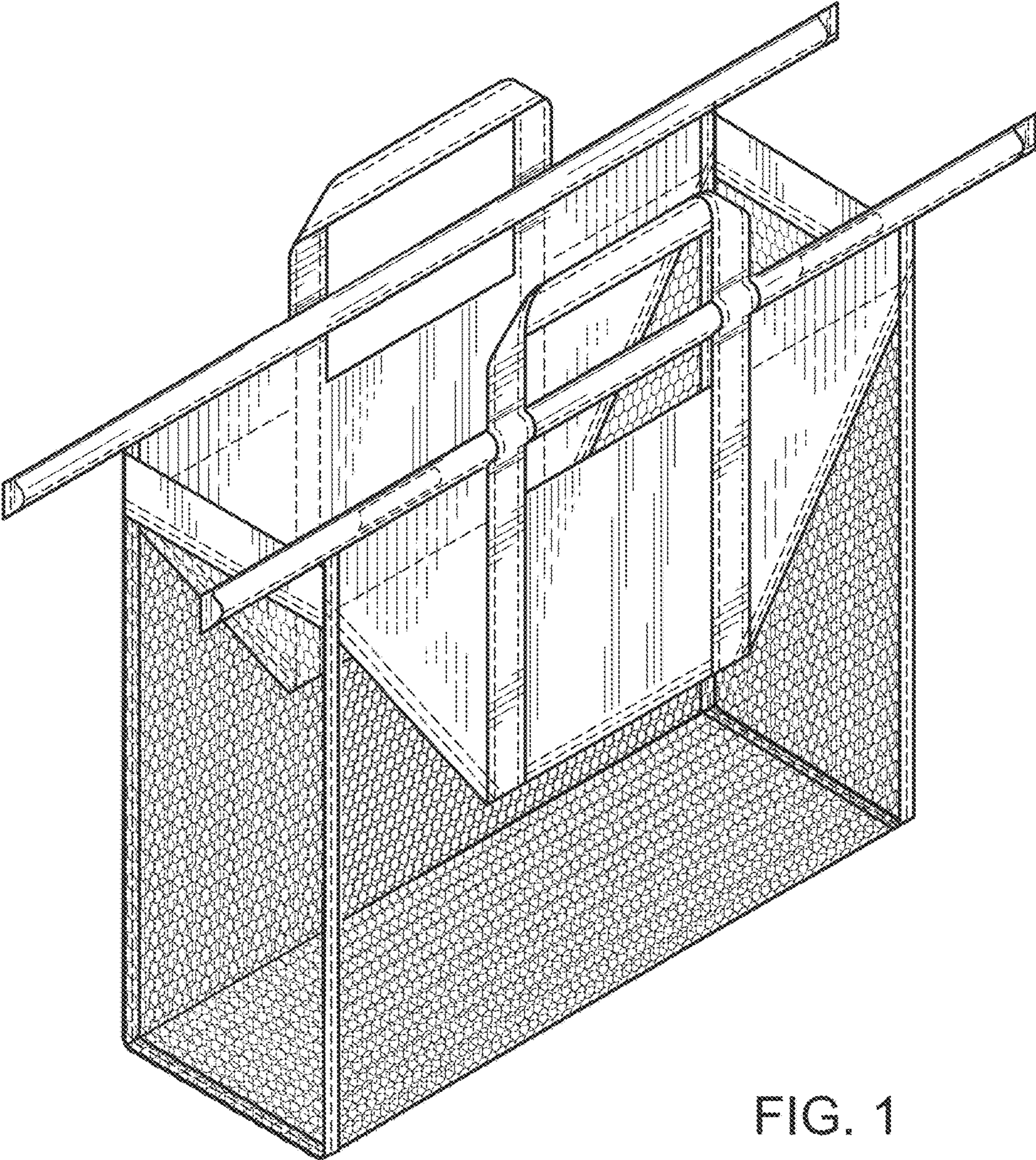


FIG. 1

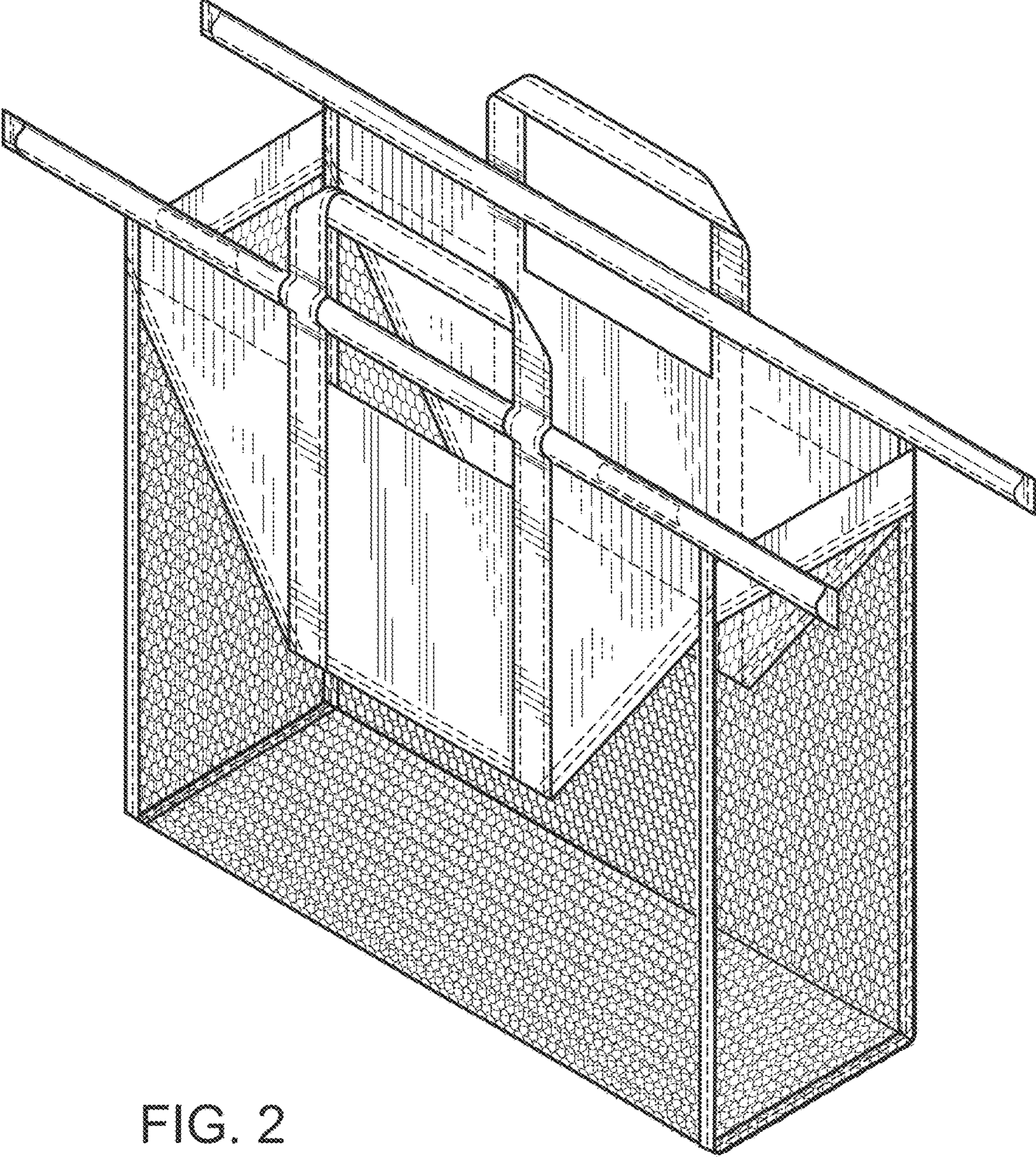


FIG. 2

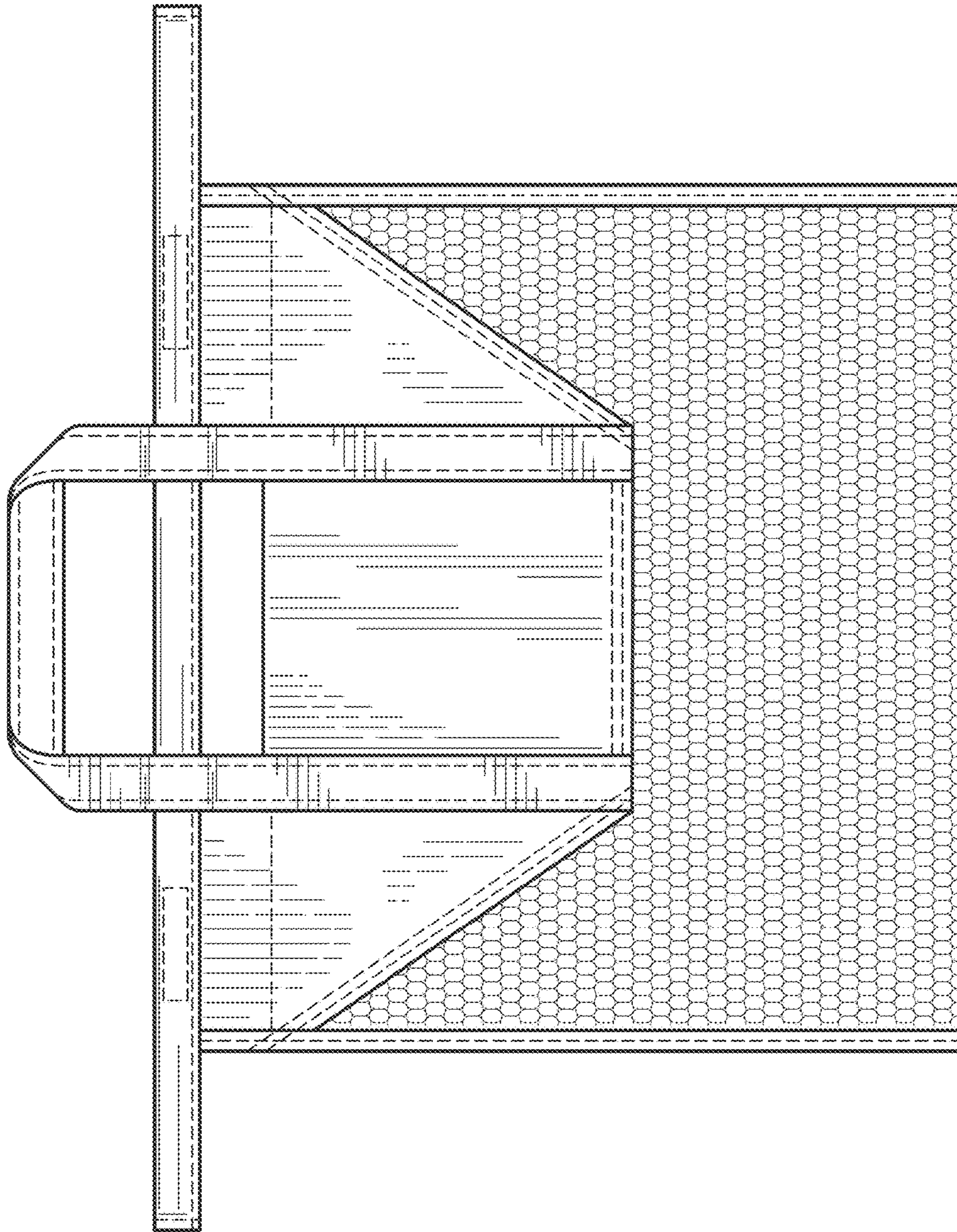


FIG. 3

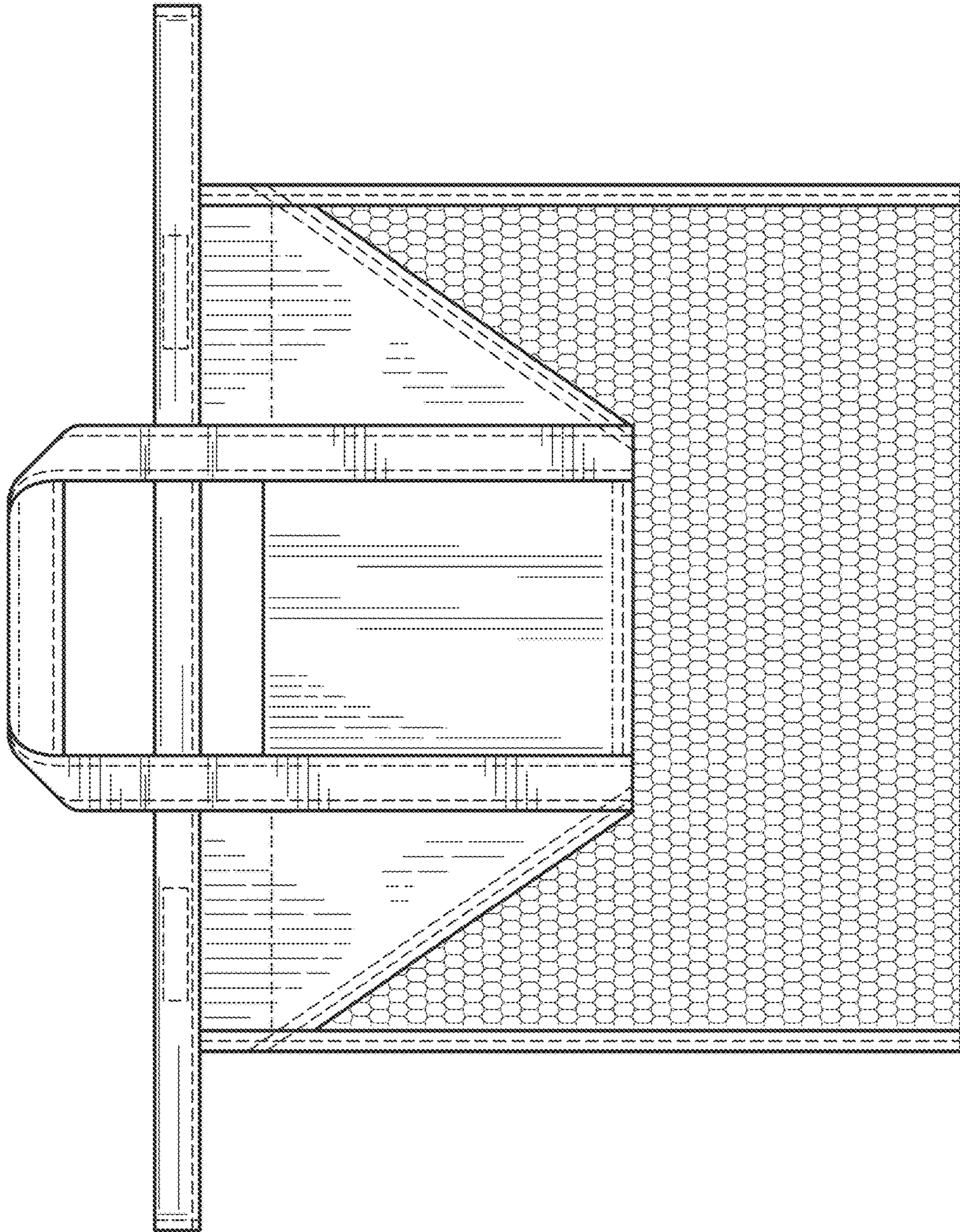


FIG. 4

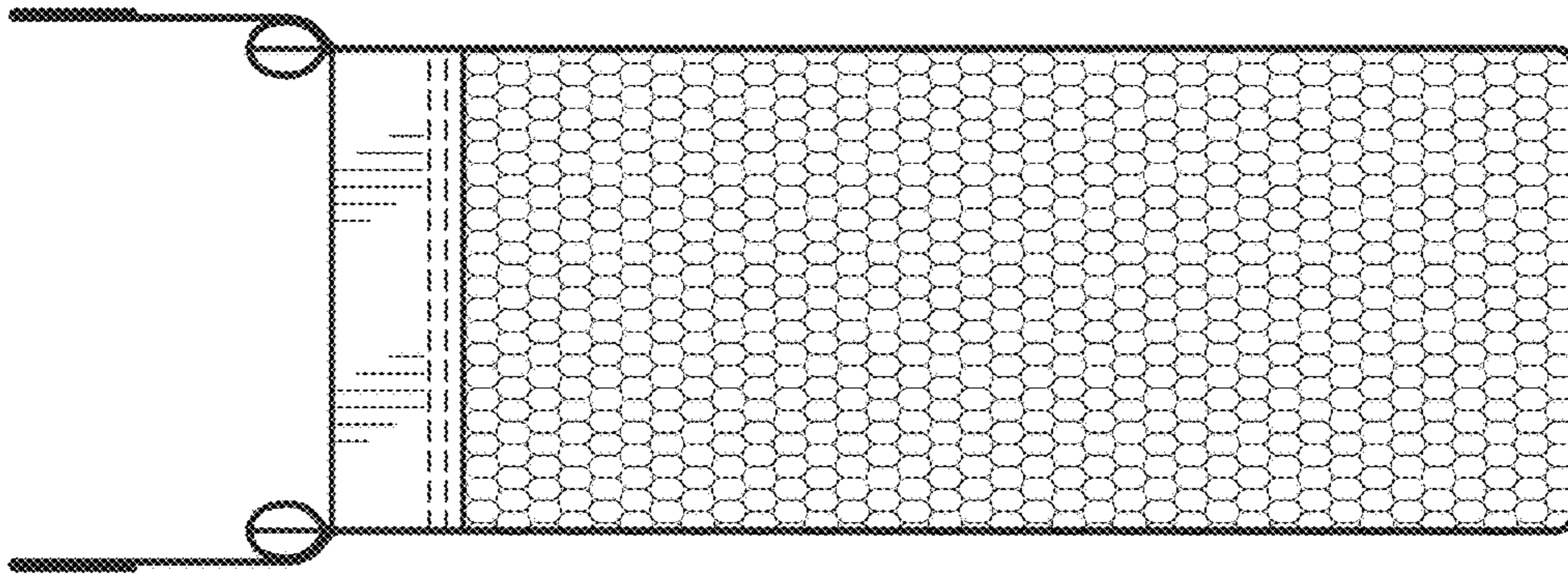


FIG. 6

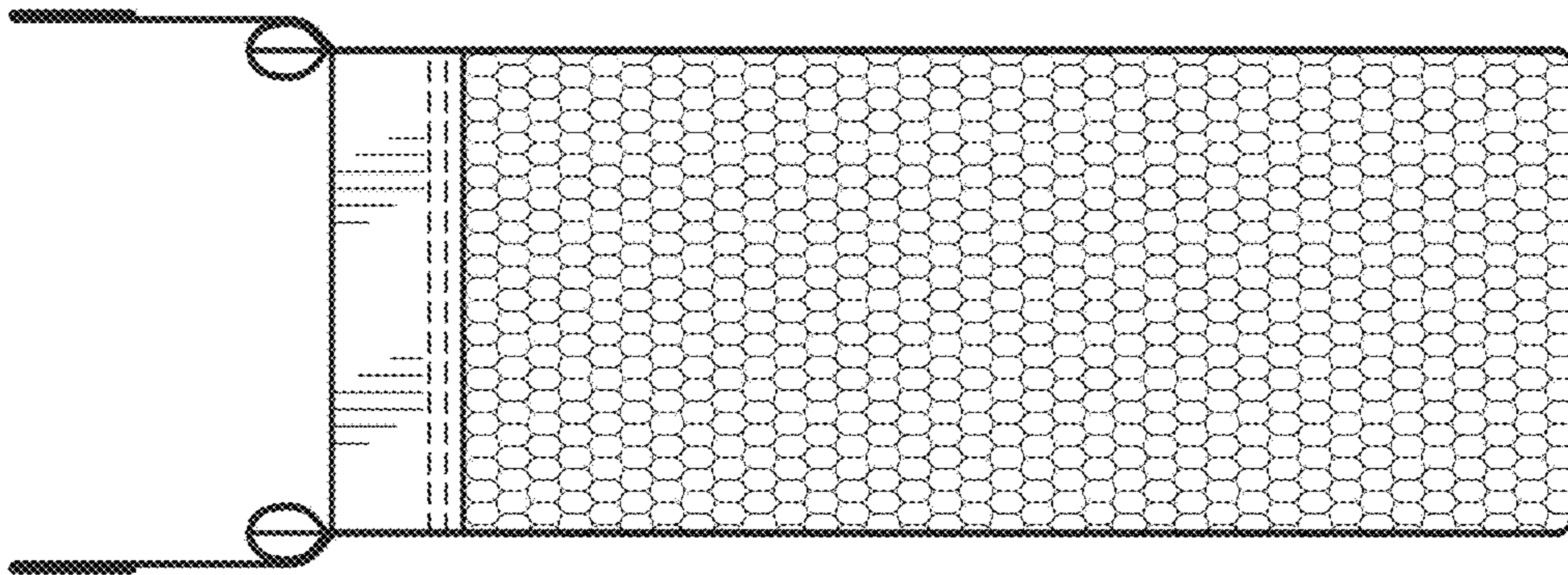


FIG. 5

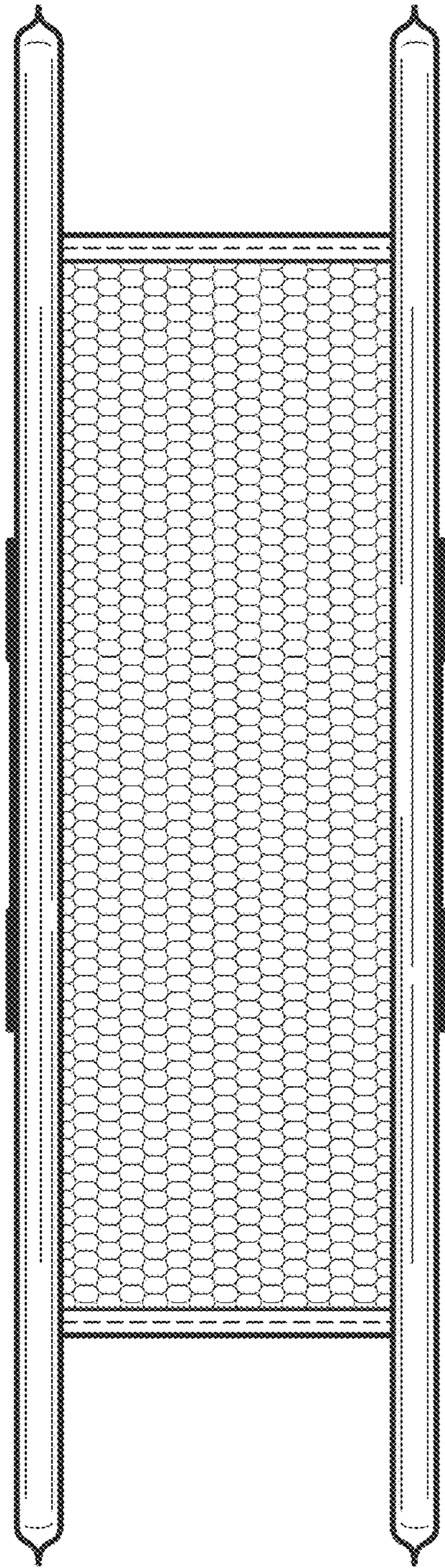


FIG. 7

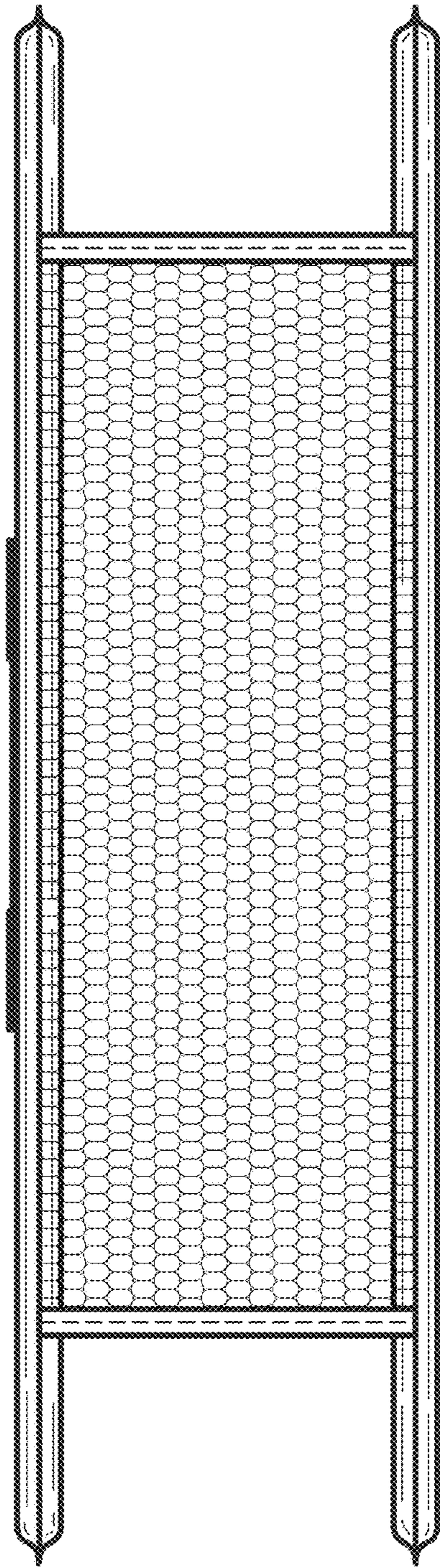


FIG. 8