



US00D809797S

(12) **United States Design Patent**
Kraemer

(10) **Patent No.:** **US D809,797 S**

(45) **Date of Patent:** **** Feb. 13, 2018**

(54) **CONTAINER**

(71) Applicant: **InterDesign, Inc.**, Solon, OH (US)

(72) Inventor: **Kevin Francis Kraemer**, Cuyahoga Falls, OH (US)

(73) Assignee: **InterDesign, Inc.**, Solon, OH (US)

(**) Term: **15 Years**

(21) Appl. No.: **29/552,628**

(22) Filed: **Jan. 25, 2016**

Related U.S. Application Data

(63) Continuation of application No. 29/471,492, filed on Nov. 1, 2013, now Pat. No. Des. 751,318, which is a continuation of application No. 29/411,666, filed on Jan. 25, 2012, now Pat. No. Des. 694,548.

(51) **LOC (11) Cl.** **03-01**

(52) **U.S. Cl.**
USPC **D3/307**

(58) **Field of Classification Search**
USPC D3/200-201, 203.1, 203.3, 205-206, D3/303-315; D32/37; D9/643-647, 703, D9/425-426, 432; D19/75, 77, 86, 90, D19/92, 100; 206/503-507, 510, 512, 206/564, 822; 220/607, 643, 659, 676, 220/657; 229/100, 406, 913-914
CPC B65D 81/3813; B65D 21/00
See application file for complete search history.

(56) **References Cited**

U.S. PATENT DOCUMENTS

2,990,995 A * 7/1961 Wessel B65D 5/004
206/510
D251,034 S * 2/1979 Carroll D3/312
D251,479 S * 4/1979 Cherry D3/314

D366,363 S * 1/1996 Berggren D3/314
D368,584 S * 4/1996 Stommel, Jr. D3/313
D391,079 S * 2/1998 Conti D3/306
D433,709 S * 11/2000 Hardy D19/75
D494,759 S * 8/2004 Louie D3/304
D495,490 S * 9/2004 Garrett D3/304
D530,918 S * 10/2006 Snell D3/304
D530,919 S * 10/2006 Snell D3/304
D530,920 S * 10/2006 Snell D3/304
D530,921 S * 10/2006 Snell D3/304
D538,536 S * 3/2007 Kopenhaver D3/305
D542,033 S * 5/2007 Kopenhaver D3/305
D547,064 S * 7/2007 Snell D3/304
D551,453 S * 9/2007 Snell D3/304
D555,904 S * 11/2007 Snell D3/304
D558,452 S * 1/2008 Richter D3/304
D585,195 S * 1/2009 Dominique D3/304
D591,510 S * 5/2009 Auer D3/304
D624,753 S * 10/2010 Post D3/306

(Continued)

Primary Examiner — David G Muller

Assistant Examiner — Nathan M Johnston

(74) *Attorney, Agent, or Firm* — Calfee, Halter & Griswold, LLP

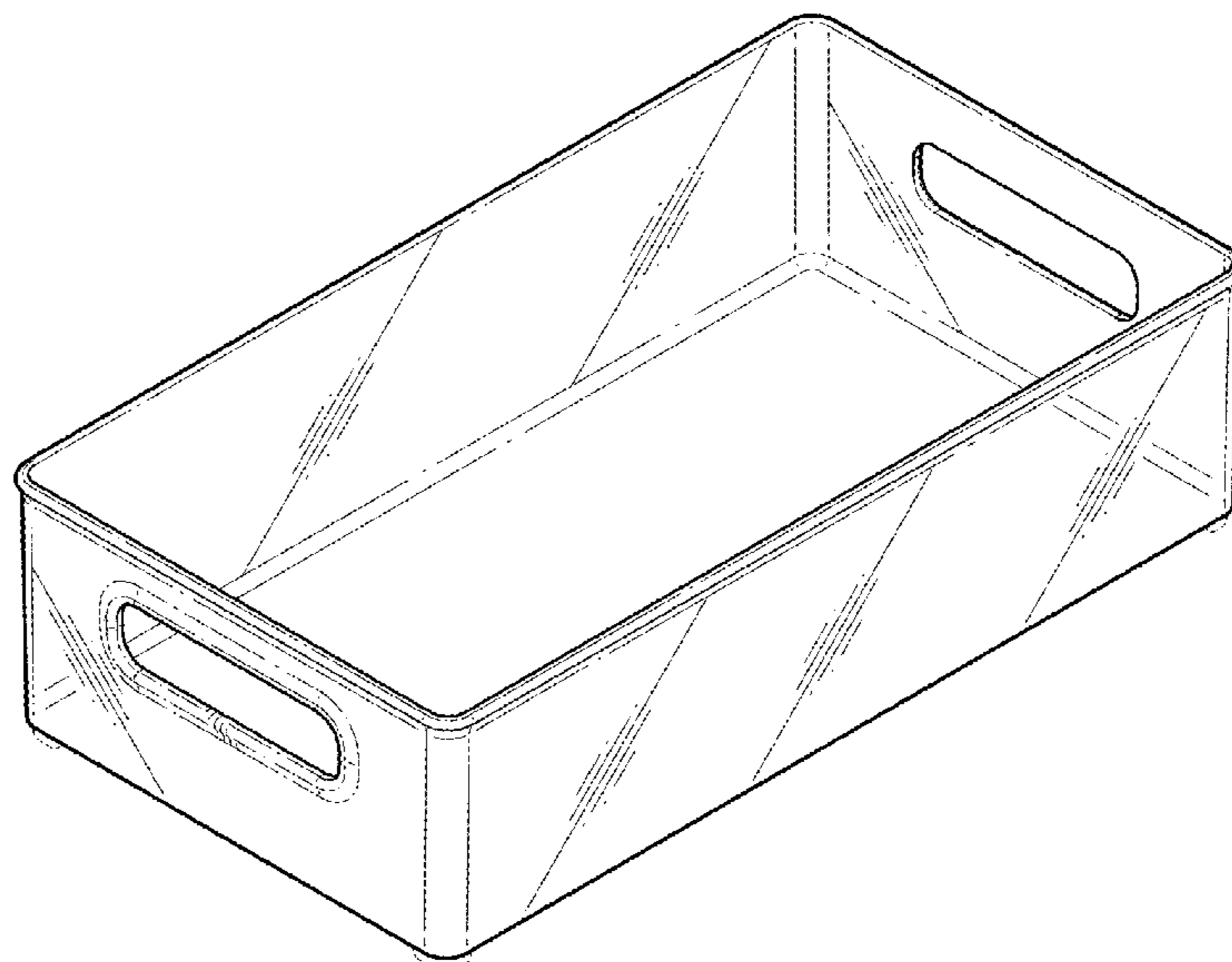
(57) **CLAIM**

I claim the ornamental design for a container, as shown and described.

DESCRIPTION

FIG. 1 is a front/left/top perspective view of a container; FIG. 2 is a rear/right/bottom perspective view thereof; FIG. 3 is a front elevational view thereof (a rear elevational view would be a mirror image thereof); FIG. 4 is a right side elevational view thereof (a left side elevational view would be a mirror image thereof); FIG. 5 is a top plan view thereof; and, FIG. 6 is a bottom plan view thereof. The broken lines in the drawings depict environmental subject matter only and form no part of the claimed design.

1 Claim, 3 Drawing Sheets



(56)

References Cited

U.S. PATENT DOCUMENTS

| | | | | | |
|--------------|----|---|---------|-----------------|---------------------------|
| D628,802 | S | | 12/2010 | Kraemer | |
| 7,854,340 | B1 | * | 12/2010 | Baker | B65D 11/1873 220/4.26 |
| D643,584 | S | * | 8/2011 | Duvigneau | D32/37 |
| D657,562 | S | * | 4/2012 | McNamara | D3/304 |
| D672,961 | S | * | 12/2012 | Turner | D3/304 |
| D674,224 | S | * | 1/2013 | Connelly | D6/525 |
| D710,612 | S | * | 8/2014 | Kolano | D3/309 |
| D712,148 | S | * | 9/2014 | Ghiorgie | D3/304 |
| D713,146 | S | * | 9/2014 | Ghiorgie | D3/304 |
| D732,827 | S | * | 6/2015 | Suomela | D3/304 |
| D734,610 | S | * | 7/2015 | Christie | D3/304 |
| D746,593 | S | * | 1/2016 | Kroll | D3/307 |
| D747,102 | S | * | 1/2016 | Kraemer | D3/307 |
| D750,892 | S | * | 3/2016 | Rego | D3/305 |
| D751,318 | S | * | 3/2016 | Kraemer | D6/525 |
| D752,864 | S | * | 4/2016 | Levie | D3/304 |
| D789,089 | S | * | 6/2017 | Duvigneau | D3/306 |
| 2006/0049591 | A1 | * | 3/2006 | Pennell | B62B 3/1464 280/33.992 |

* cited by examiner

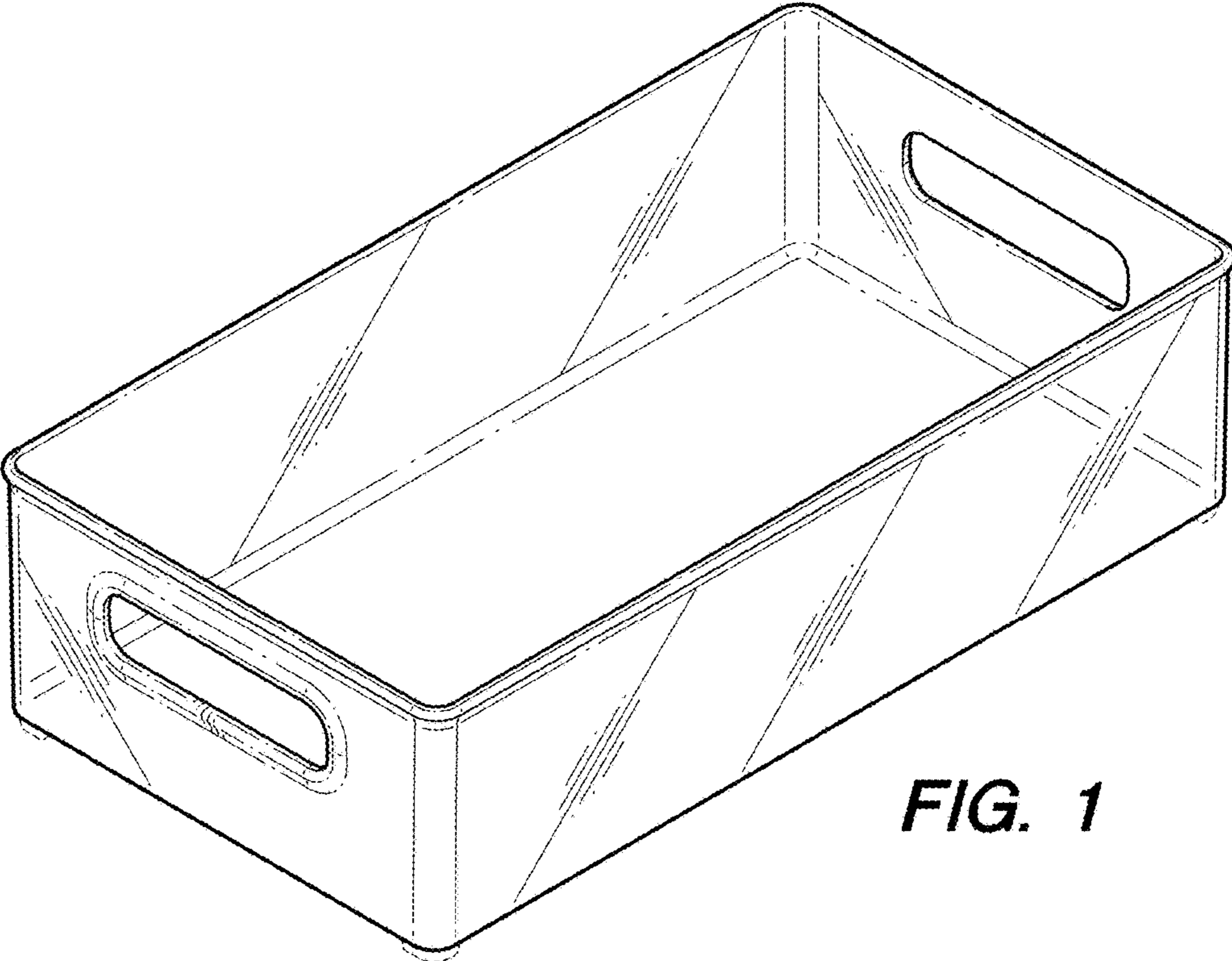


FIG. 1

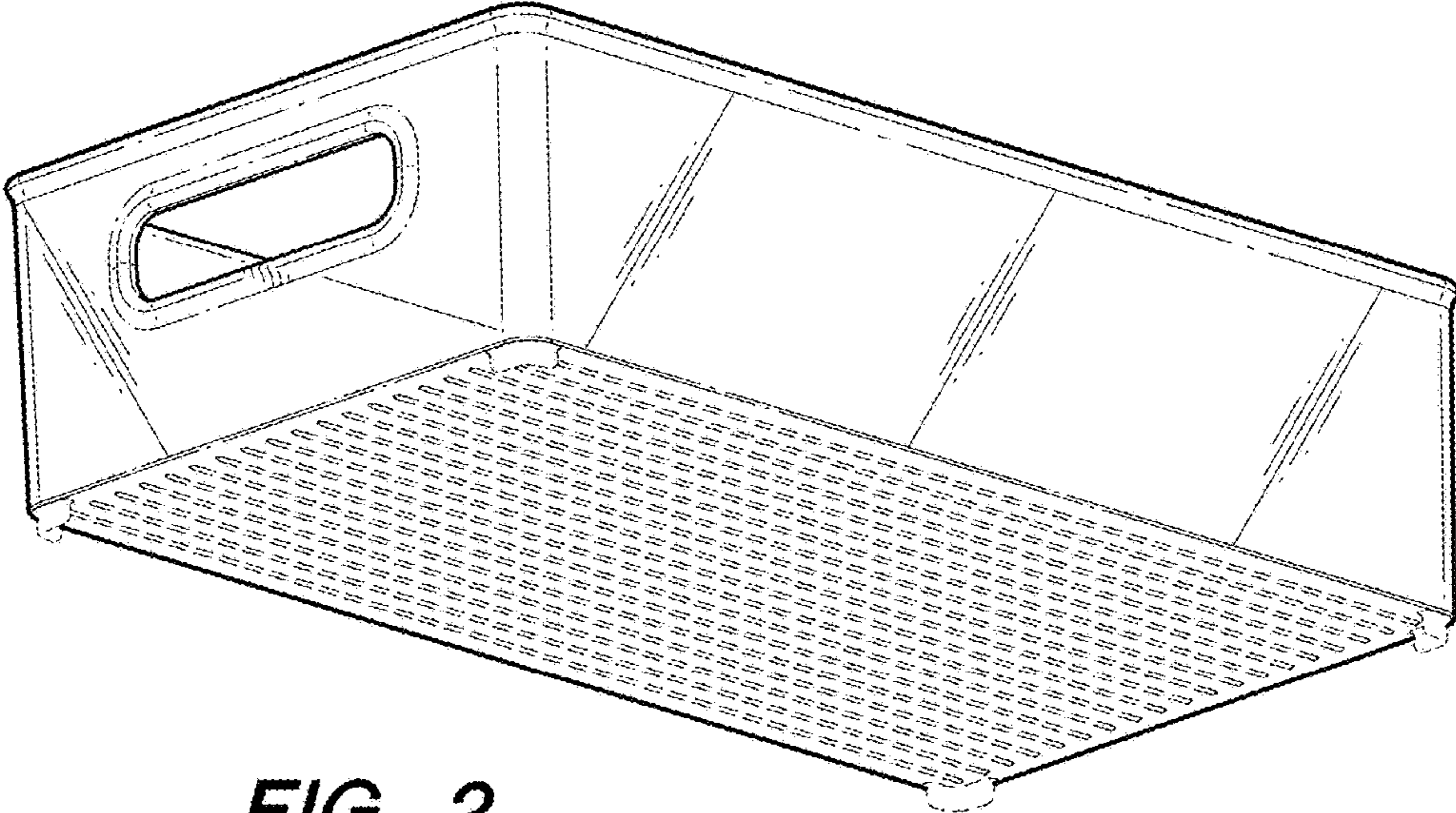


FIG. 2

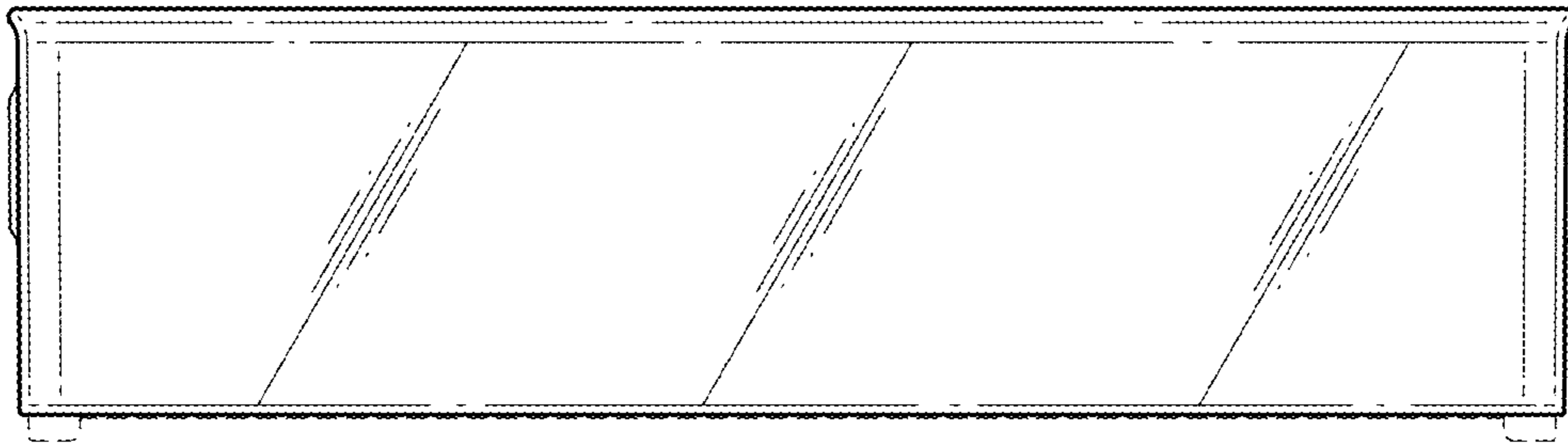


FIG. 3

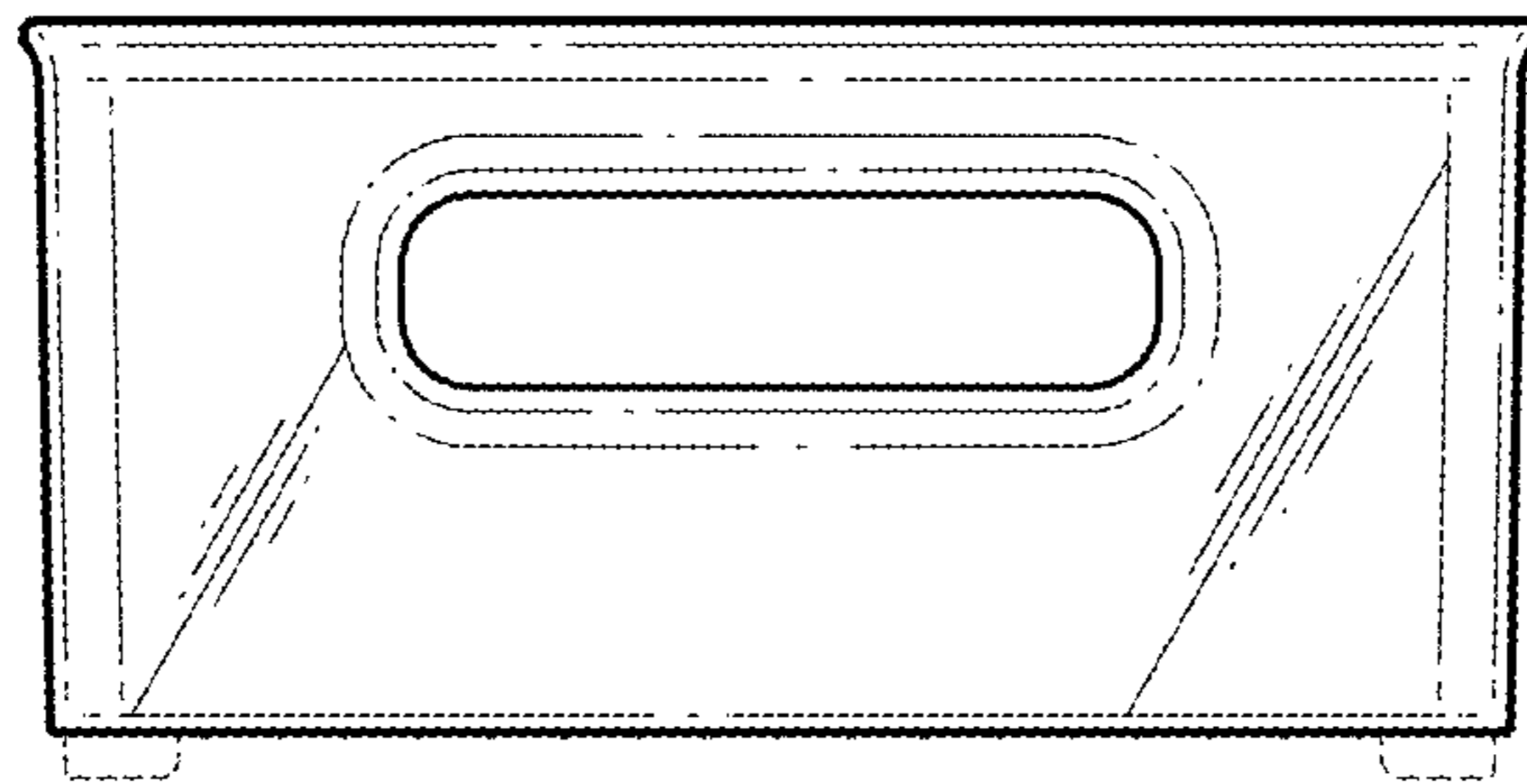


FIG. 4

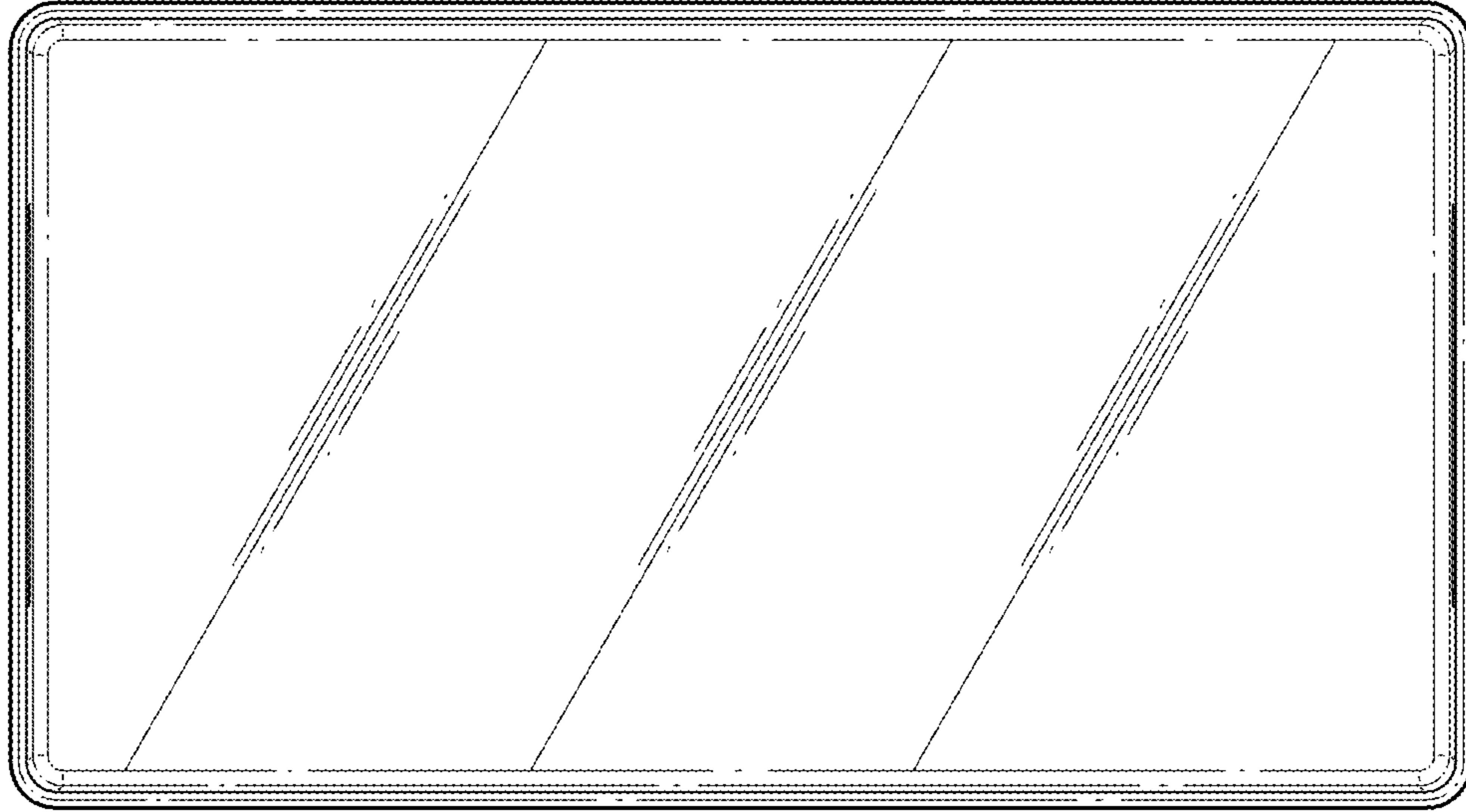


FIG. 5

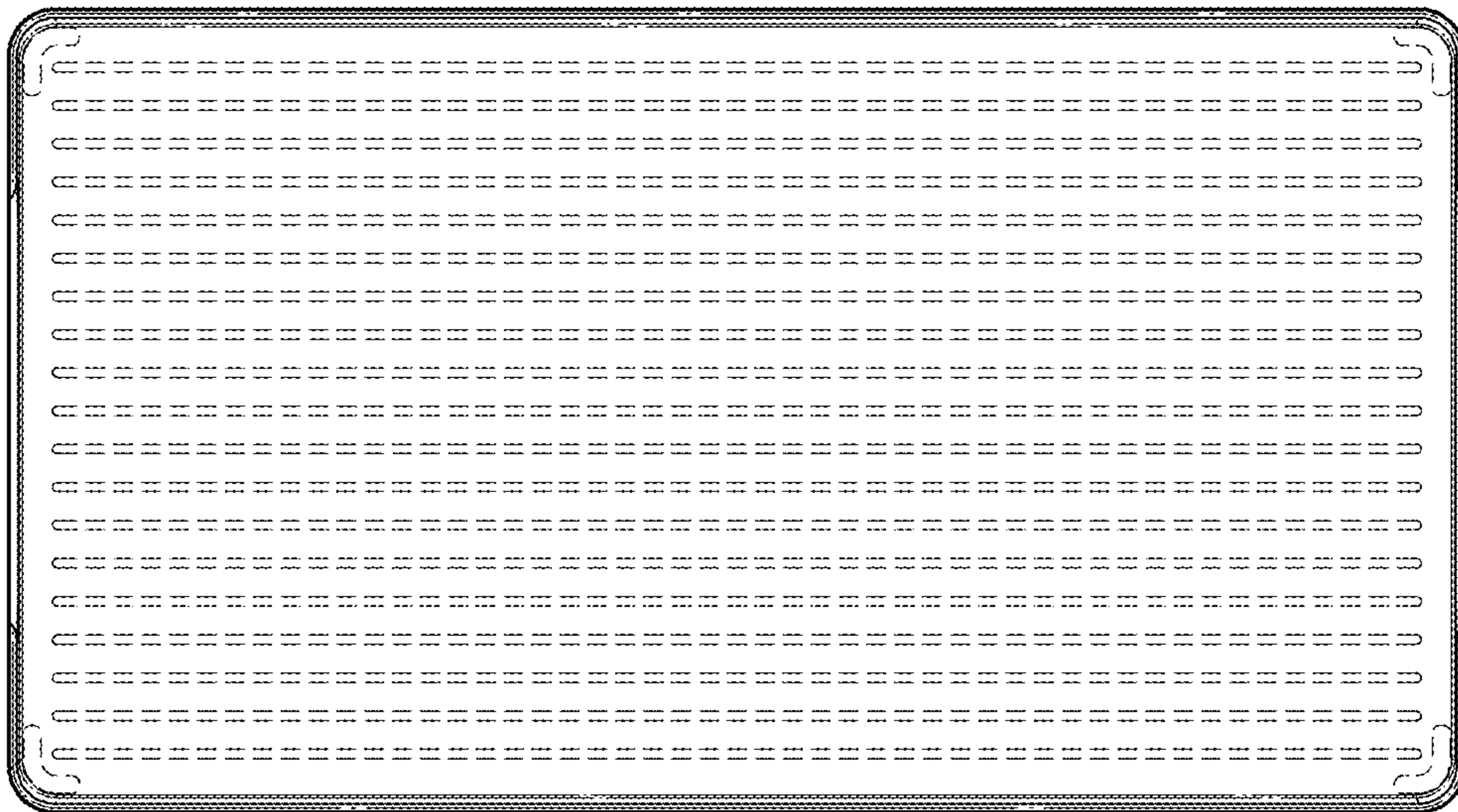


FIG. 6