



US00D809795S

(12) **United States Design Patent**  
**Law et al.**

(10) **Patent No.:** **US D809,795 S**

(45) **Date of Patent:** **\*\* Feb. 13, 2018**

(54) **SUITCASE**  
(71) Applicant: **MAGMATIC LIMITED**, Bristol (GB)  
(72) Inventors: **Robert Law**, Bristol (GB); **Joe Allam**, Bristol (GB)  
(73) Assignee: **MAGMATIC LIMITED**, Bristol (GB)  
(\*\*) Term: **15 Years**

D675,017 S \* 1/2013 Van Overbeke ..... D3/273  
D677,050 S \* 3/2013 Saba ..... D3/276  
D728,236 S \* 5/2015 Virassamy ..... D3/264  
D743,168 S \* 11/2015 Niu ..... D3/279  
D743,698 S \* 11/2015 Della Vecchia ..... D3/273  
D758,076 S \* 6/2016 Boer ..... D3/274  
D765,972 S \* 9/2016 Daniel ..... D3/274  
D784,017 S \* 4/2017 Hsieh ..... D3/279  
2012/0161408 A1 \* 6/2012 Sidhu ..... A45C 5/14  
280/47.38

(Continued)

(21) Appl. No.: **29/554,268**  
(22) Filed: **Feb. 10, 2016**  
(30) **Foreign Application Priority Data**  
Oct. 30, 2015 (EM) ..... 002842484-0001  
(51) **LOC (11) Cl.** ..... **03-01**  
(52) **U.S. Cl.**  
USPC ..... **D3/279**  
(58) **Field of Classification Search**  
USPC ..... D3/273, 276, 279, 281, 282, 289, 291,  
D3/902, 272  
CPC ..... A45C 5/00; A45C 5/03; A45C 2005/037;  
A45C 5/14; A45C 7/0027; A45C 7/0018;  
A45C 2005/032; A45C 2005/035; A45C  
5/04  
See application file for complete search history.

**OTHER PUBLICATIONS**

Youtube, "The Evolution of Jurni", Posted by user "Jurni" on Nov. 16, 2015, Accessed Apr. 20, 2017. (<https://www.youtube.com/watch?v=W2leMmmObr4>).\*

*Primary Examiner* — Jennifer Rivard  
*Assistant Examiner* — April Rivas  
(74) *Attorney, Agent, or Firm* — Epstein Drangel LLP;  
Robert L. Epstein

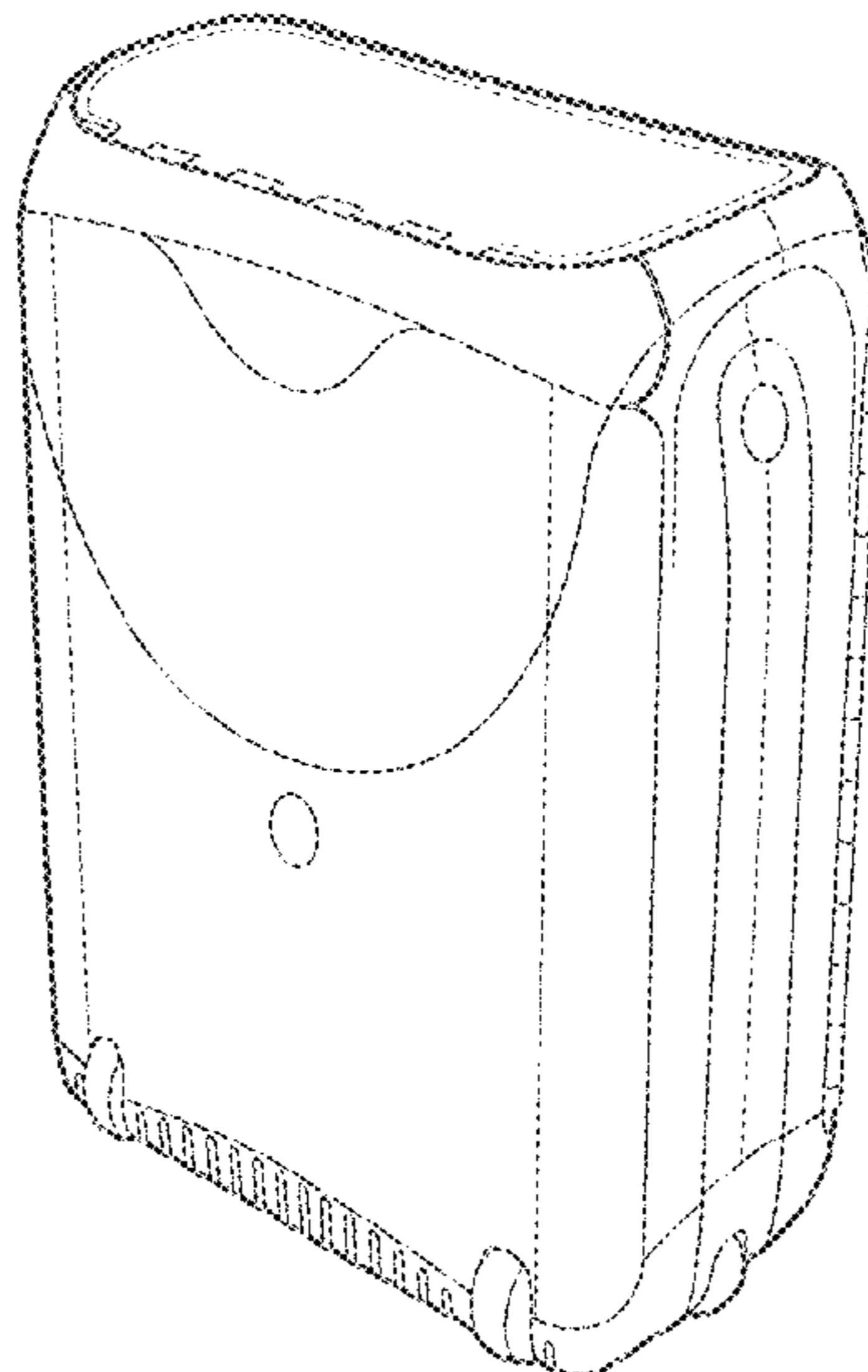
(56) **References Cited**  
**U.S. PATENT DOCUMENTS**  
D383,905 S \* 9/1997 Stokes ..... D3/279  
D425,301 S \* 5/2000 Sagol ..... D3/276  
D428,698 S \* 8/2000 Cheng ..... D3/276  
D435,967 S \* 1/2001 Tiramani ..... D3/273  
D438,005 S \* 2/2001 Tiramani ..... D3/273  
D462,169 S \* 9/2002 Giovanni ..... D3/279  
7,832,533 B2 \* 11/2010 Selvi ..... A45C 3/001  
190/103  
D644,434 S \* 9/2011 Miles ..... D3/279

(57) **CLAIM**  
The ornamental design for a suitcase, substantially as shown and described.

**DESCRIPTION**

FIG. 1 is a perspective view showing the front, top and right side of our design;  
FIG. 2 is a perspective view showing the back, top and left side of our design;  
FIG. 3 is an elevation view showing the front of our design;  
FIG. 4 is an elevation view showing the back of our design;  
FIG. 5 is an elevation view showing the right side of our design;  
FIG. 6 is an elevation view showing the left side of our design;  
FIG. 7 is a plan view showing the top of our design; and,  
FIG. 8 is a plan view showing the bottom of our design.

**1 Claim, 8 Drawing Sheets**



(56)

**References Cited**

U.S. PATENT DOCUMENTS

2015/0021132	A1 *	1/2015	Sijmons .....	A45C 5/03 190/120
2015/0027836	A1 *	1/2015	Zhou .....	A45C 9/00 190/12 A

\* cited by examiner

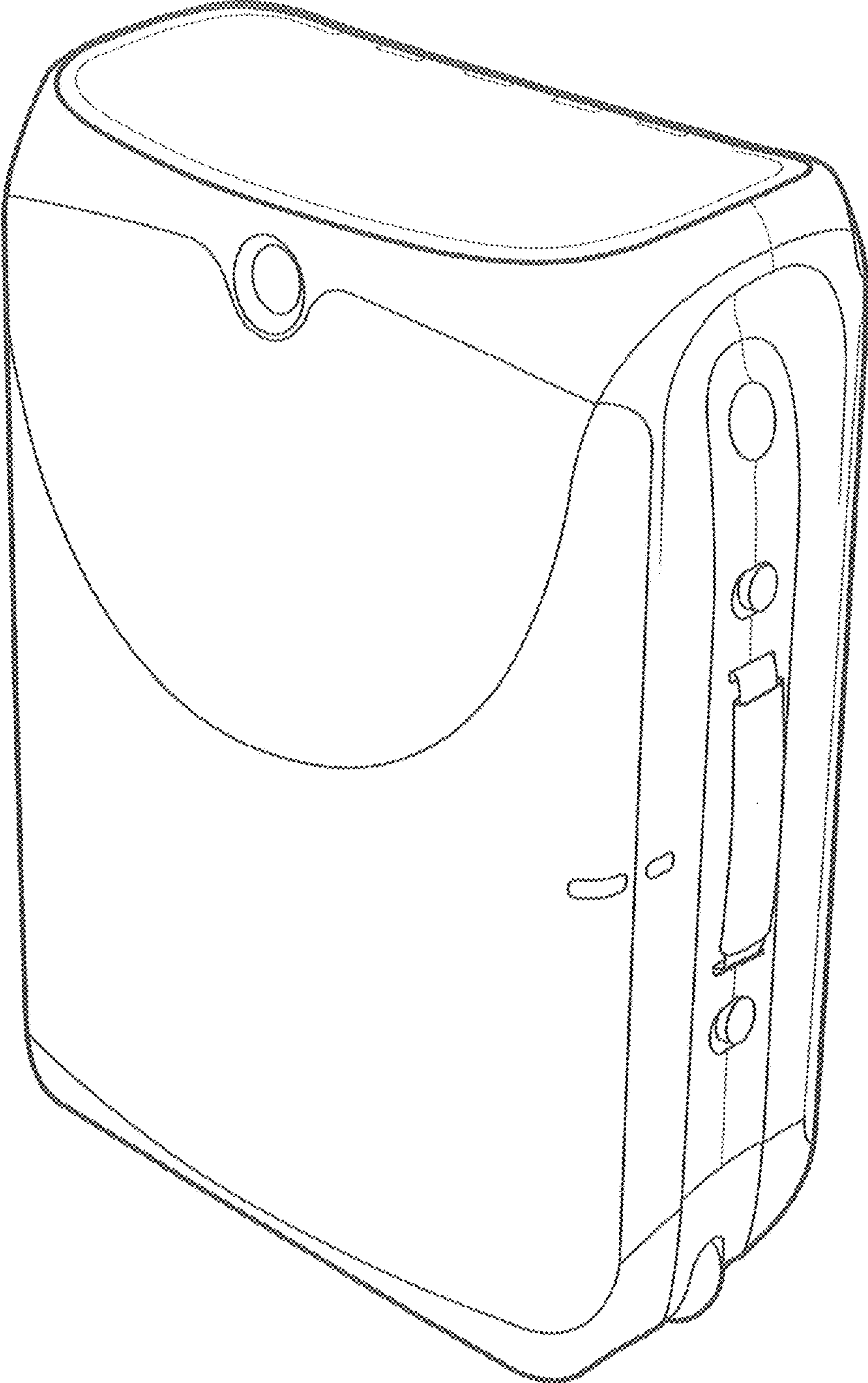


Fig. 1

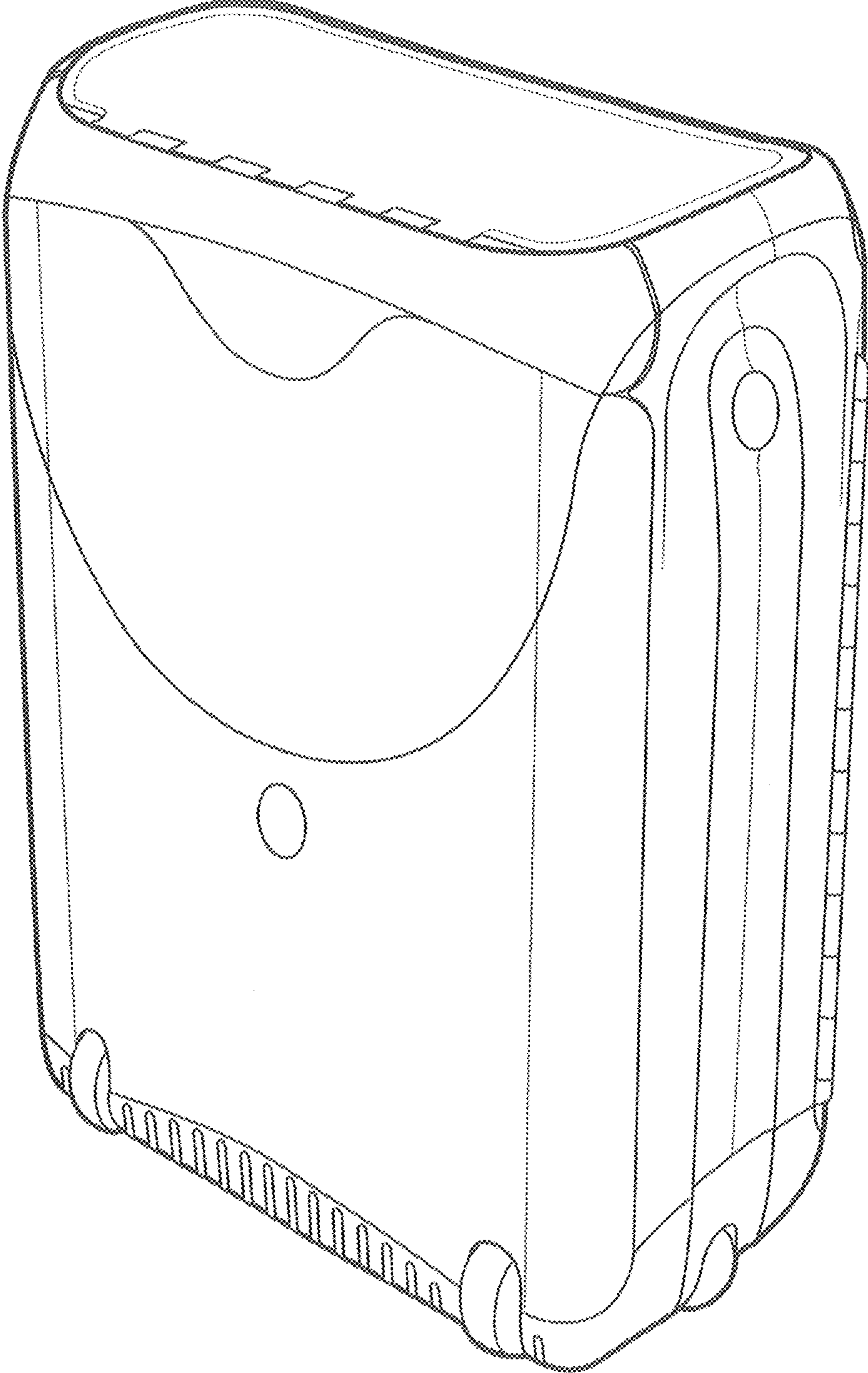


Fig. 2



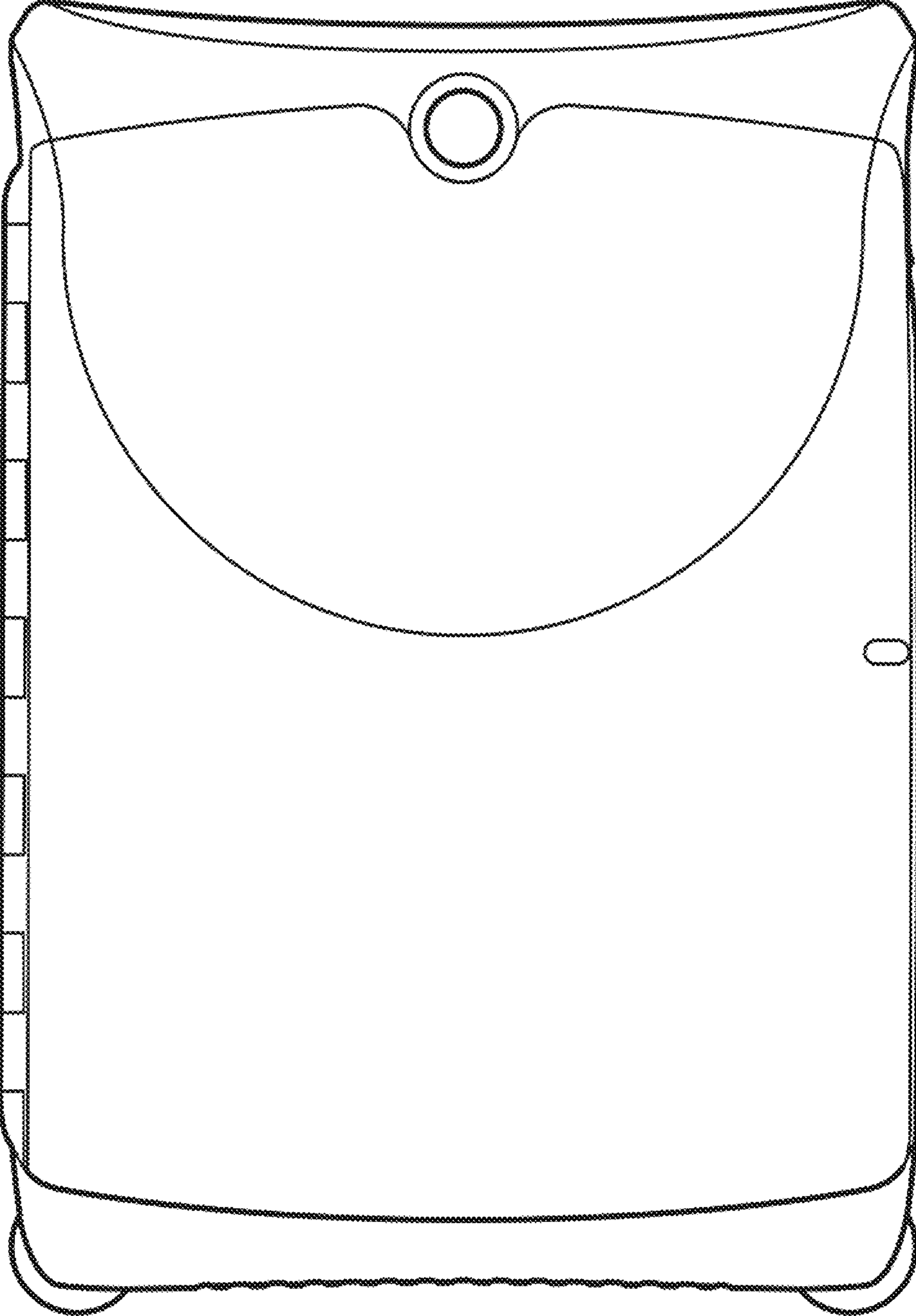


Fig. 3

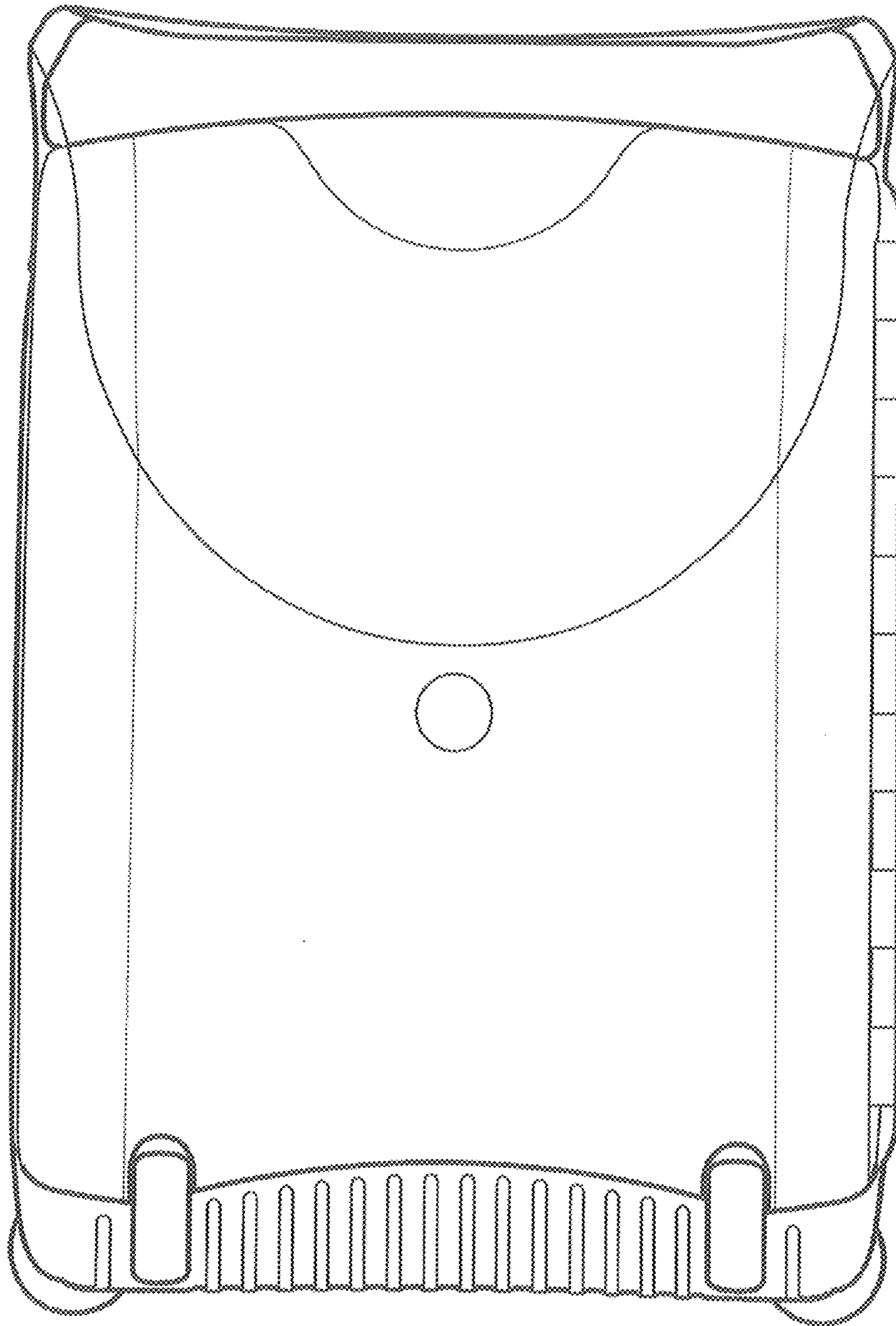


Fig. 4

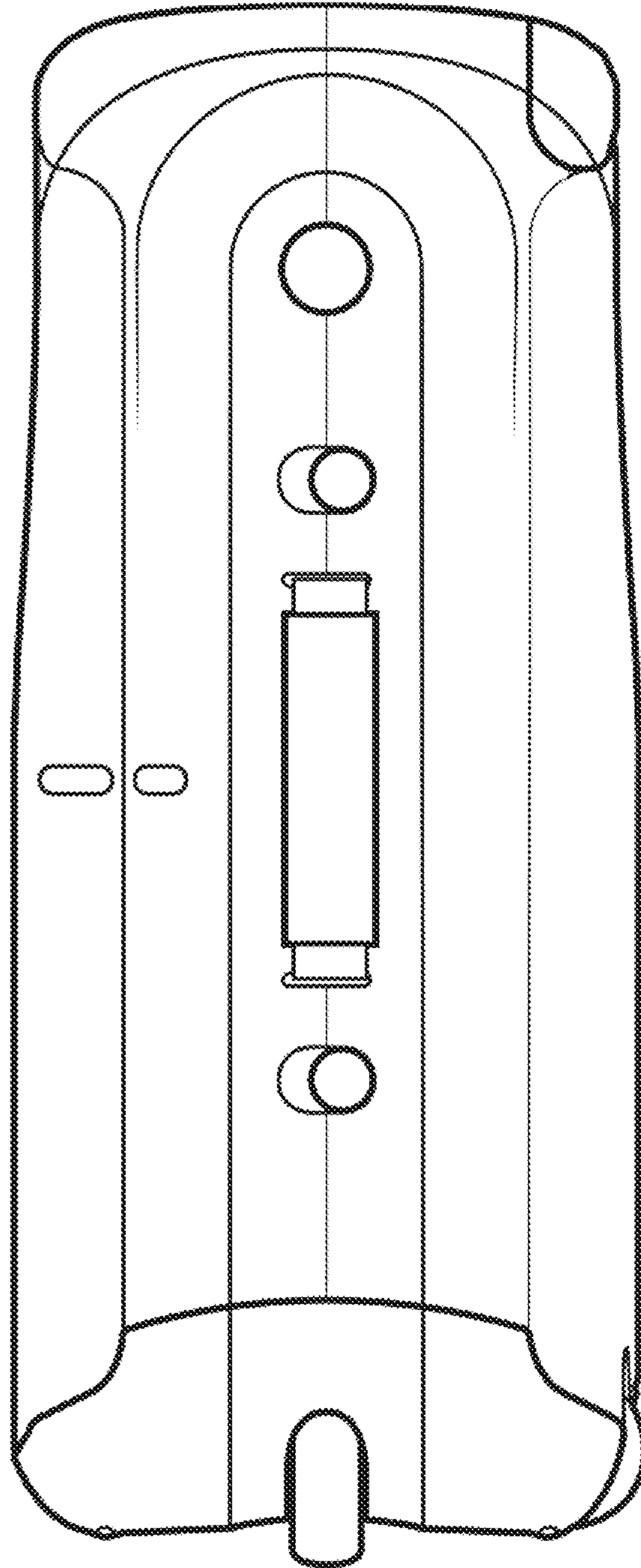


Fig. 5

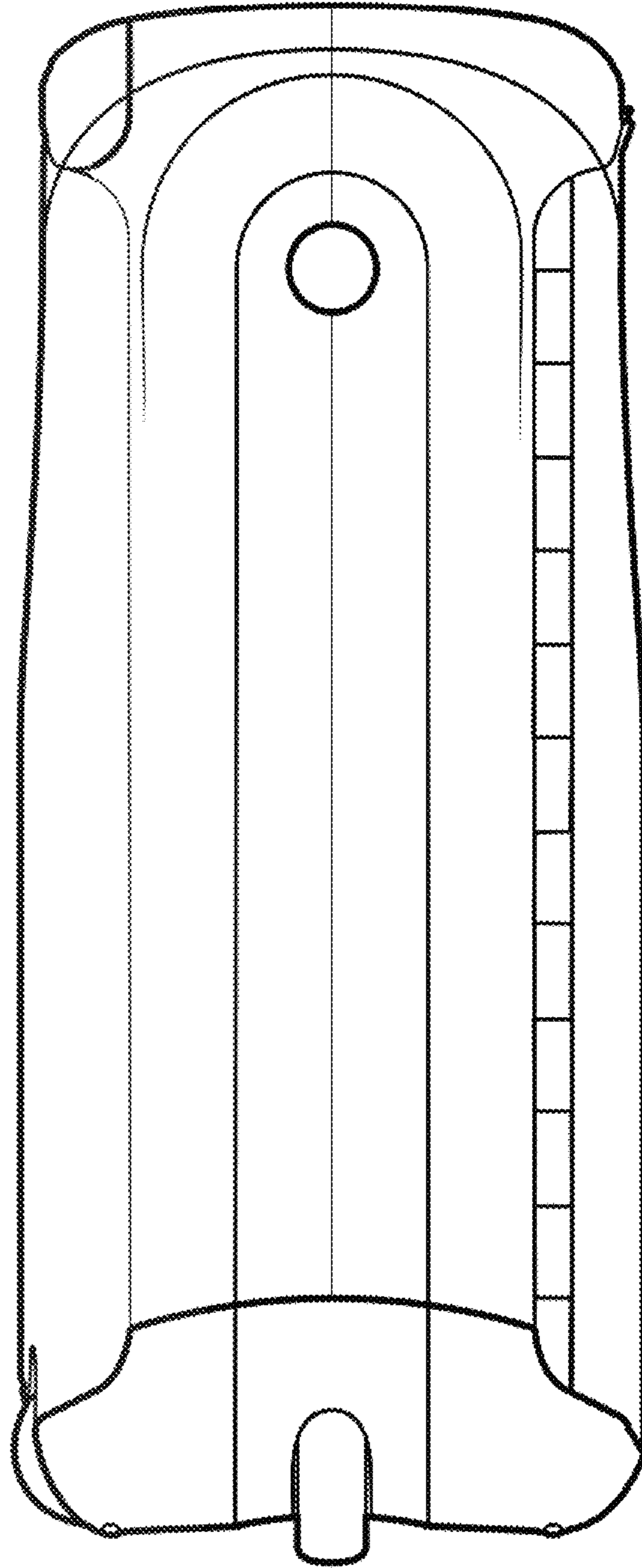


Fig. 6



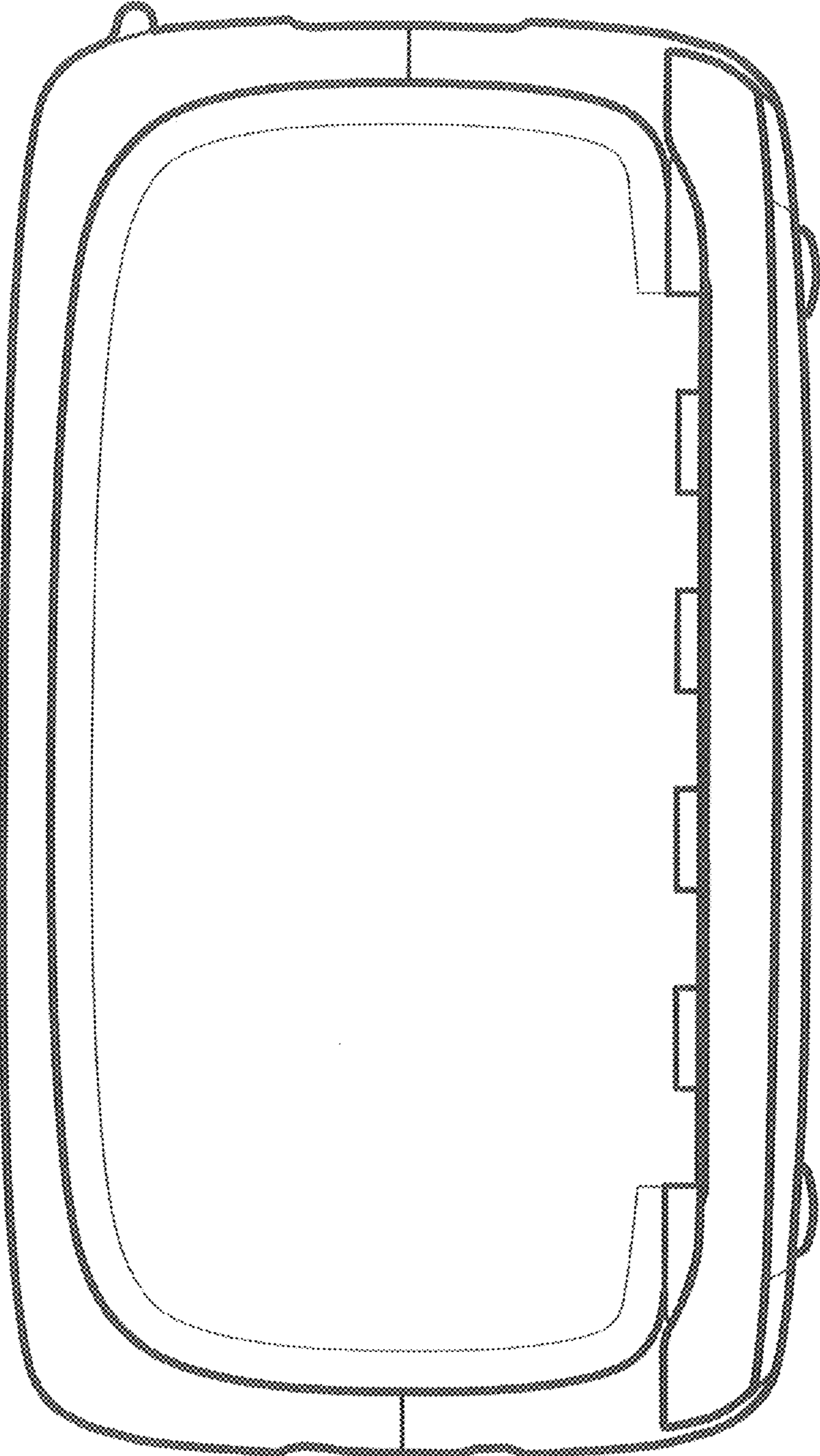


Fig. 7

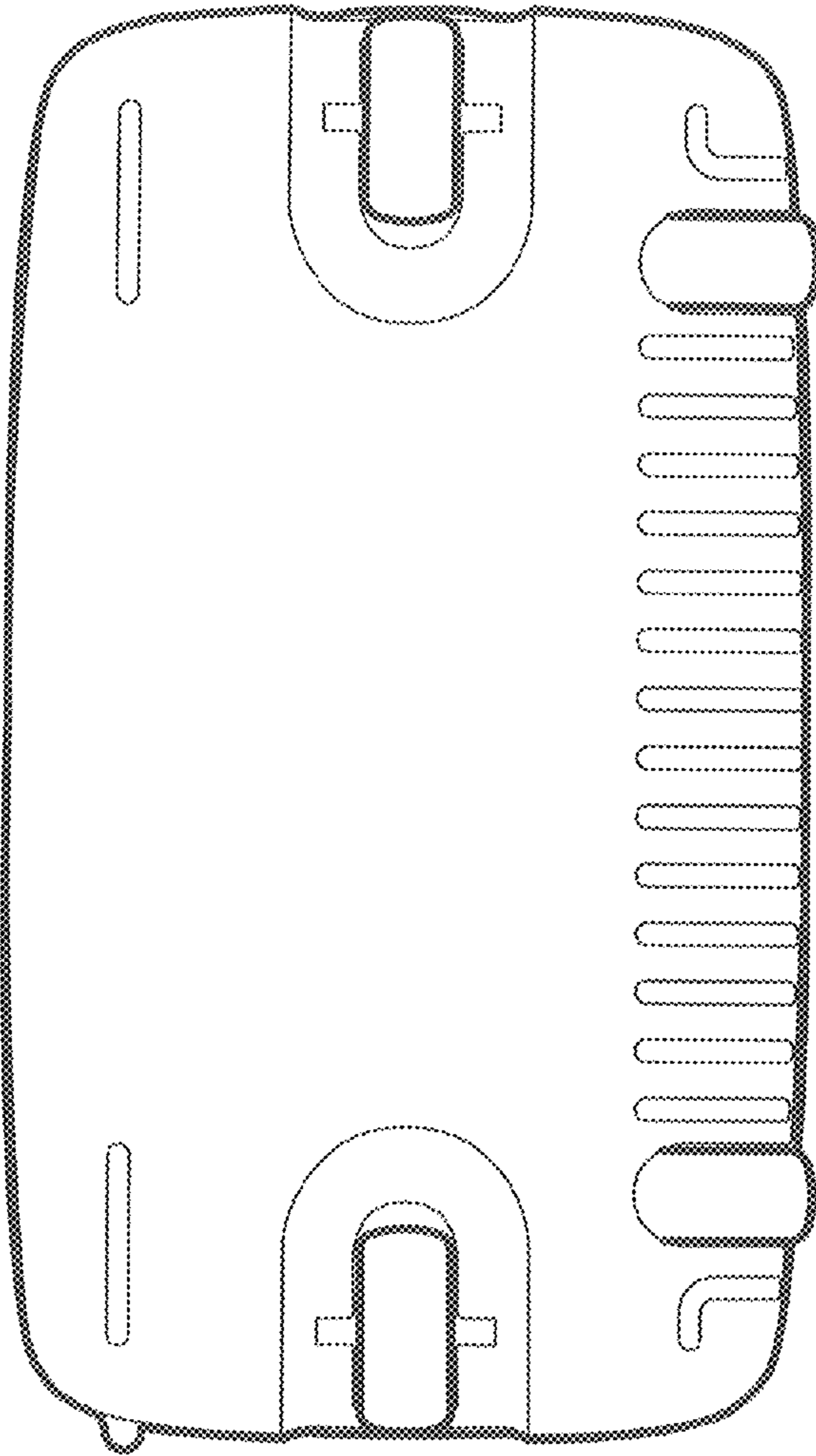


Fig. 8