



US00D809793S

(12) **United States Design Patent**
Hahn et al.

(10) **Patent No.:** **US D809,793 S**
(45) **Date of Patent:** **** Feb. 13, 2018**

- (54) **SLIM WALLET WITH BUILT-IN BATTERY**
- (71) Applicant: **Nomad Goods, Inc.**, Santa Barbara, CA (US)
- (72) Inventors: **Brian Hahn**, Summerland, CA (US);
Noah Dentzel, Summerland, CA (US)
- (73) Assignee: **Nomad Goods, Inc.**, Santa Barbara, CA (US)
- (**) Term: **15 Years**
- (21) Appl. No.: **29/567,311**
- (22) Filed: **Jun. 7, 2016**
- (51) **LOC (11) Cl.** **03-01**
- (52) **U.S. Cl.**
USPC **D3/249**; D13/108
- (58) **Field of Classification Search**
USPC D3/318, 20, 203.6, 205, 206, 208, 226,
D3/232, 245, 247-253, 303, 324;
D11/218; D13/103, 105, 107, 108;
D14/251, 348, 250; D19/3, 27, 75, 86,
D19/91, 102
CPC A45C 11/18; A45C 11/182; A45C 1/06;
A45C 3/08
See application file for complete search history.

(56) **References Cited**

U.S. PATENT DOCUMENTS

- 966,352 A * 8/1910 Pemberton A45C 1/06
123/73 C
- 3,903,945 A * 9/1975 Skeba A45C 1/06
150/133
- D410,774 S * 6/1999 Inbert D3/247
- D413,725 S * 9/1999 Hartmann D19/26
- D426,952 S * 6/2000 Zebe, Jr. D3/232
- D446,649 S * 8/2001 Bodony D3/249
- D467,420 S * 12/2002 Bodony D3/249
- 6,601,622 B1 * 8/2003 Young A45C 1/06
150/133
- D548,961 S * 8/2007 Dohner A45C 1/06
D3/247

- D600,011 S * 9/2009 Munroe D3/247
- D608,825 S * 1/2010 Brett D19/3
- D685,732 S * 7/2013 Miller D13/108
- 8,555,938 B2 * 10/2013 Costello A45C 1/06
150/135
- D696,017 S * 12/2013 Lagerfeld D3/318
(Continued)

OTHER PUBLICATIONS

Horween Leather Charging Slim Wallet by Nomad, posted at [Whisperedinspirations.com](http://whisperedinspirations.com), posting date Aug. 12, 2016, [online], [site visited Aug. 25, 2017]. Available from Internet, URL: <http://whisperedinspirations.com/2016/08/12/nomad-horween-leather-charging-slim-wallet/>.*

Primary Examiner — Susan E Krakower
Assistant Examiner — L. A. Grabenstetter
(74) *Attorney, Agent, or Firm* — SoCal IP Law Group
LLP; Steven C. Sereboff

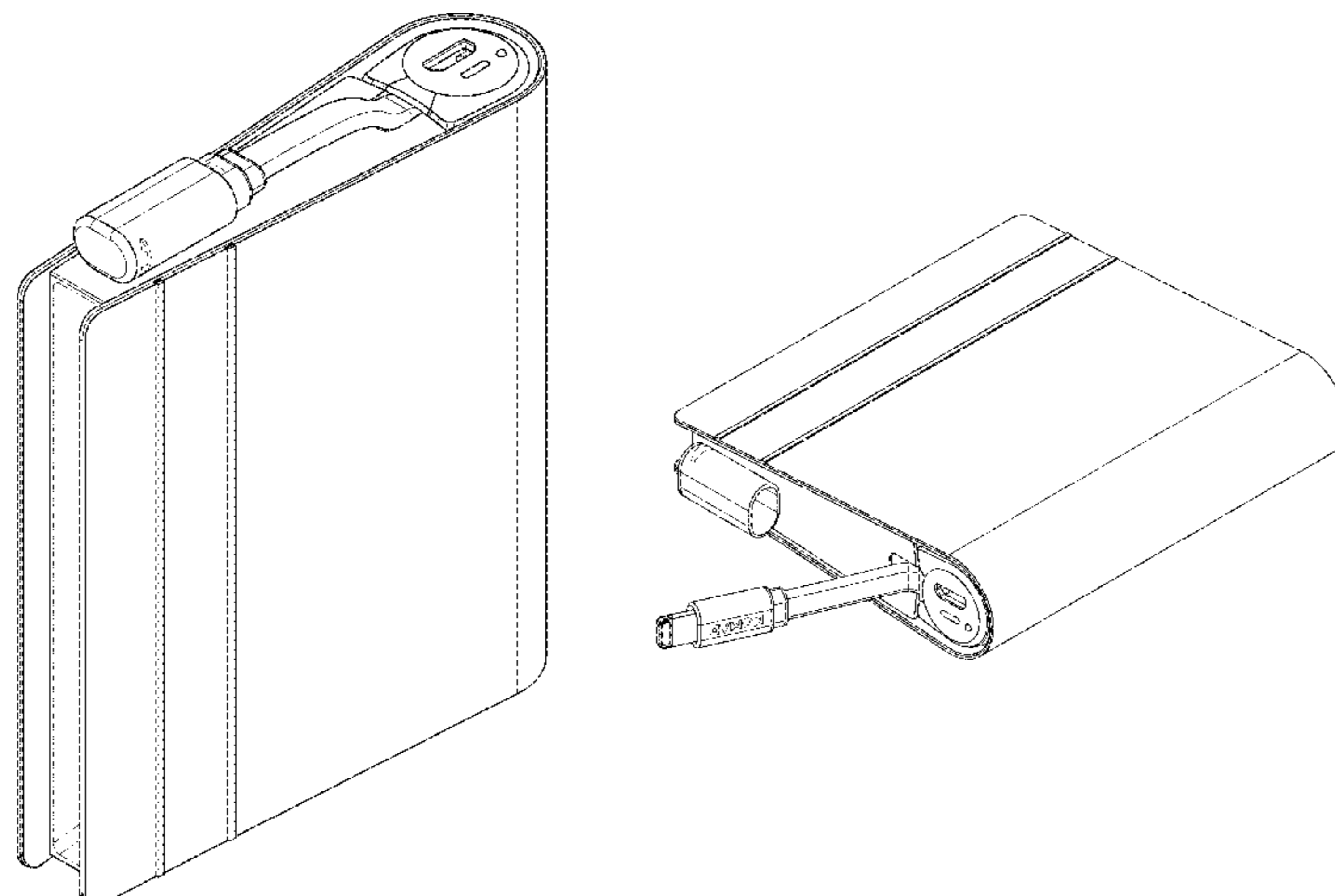
(57) **CLAIM**

We claim the ornamental design for a slim wallet with built-in battery, as shown and described.

DESCRIPTION

FIG. 1 is a perspective view of a slim wallet with built-in battery, showing our new design with cable in tucked-in position;
FIG. 2 is a top plan view thereof;
FIG. 3 is a bottom plan view thereof;
FIG. 4 is a right elevational view thereof;
FIG. 5 is a left elevational view thereof;
FIG. 6 is a front elevational view thereof;
FIG. 7 is a back elevational view thereof;
FIG. 8 is a perspective view thereof showing built-in cable in tucked-in position; and,
FIG. 9 is a perspective view thereof showing built-in cable untucked from pouch.
The broken lines depict unclaimed portions of the wallet.

1 Claim, 9 Drawing Sheets



(56)

References Cited

U.S. PATENT DOCUMENTS

| | | | | | |
|--------------|------|---------|--------|-------|----------------------|
| D699,181 | S * | 2/2014 | Hung | | D13/103 |
| D724,526 | S * | 3/2015 | Lee | | D13/103 |
| D727,257 | S * | 4/2015 | Miller | | D13/103 |
| D728,468 | S * | 5/2015 | Ferber | | D13/103 |
| D742,311 | S * | 11/2015 | Miller | | D13/103 |
| D751,816 | S * | 3/2016 | Miller | | D3/249 |
| D766,891 | S * | 9/2016 | Hong | | D14/341 |
| 9,595,840 | B2 * | 3/2017 | Miller | | H02J 7/0042 |
| 2008/0060730 | A1 * | 3/2008 | Young | | A45C 1/06 150/140 |
| 2009/0288746 | A1 * | 11/2009 | Baca | | A45C 1/06 150/137 |

* cited by examiner

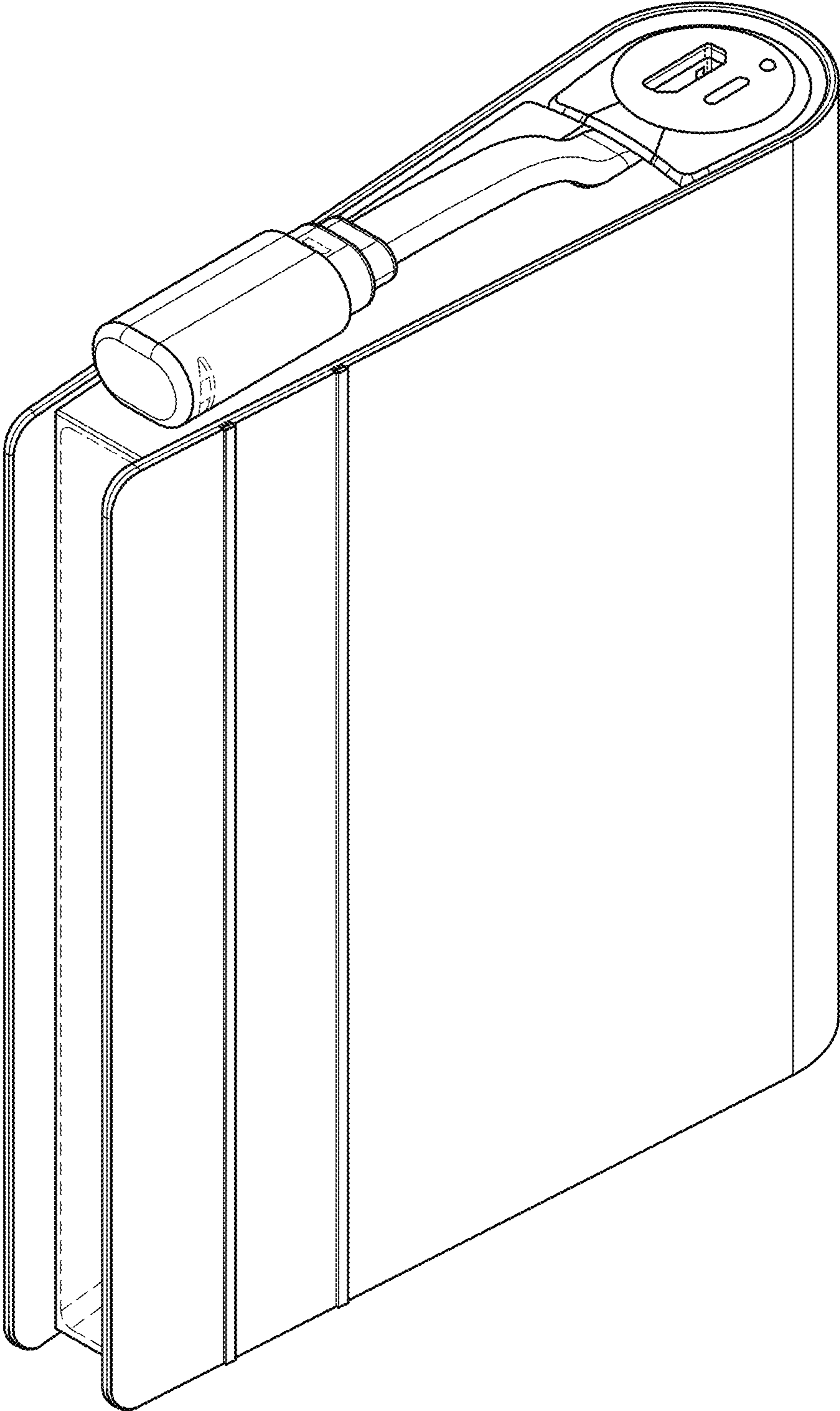


FIG. 1

FIG. 2

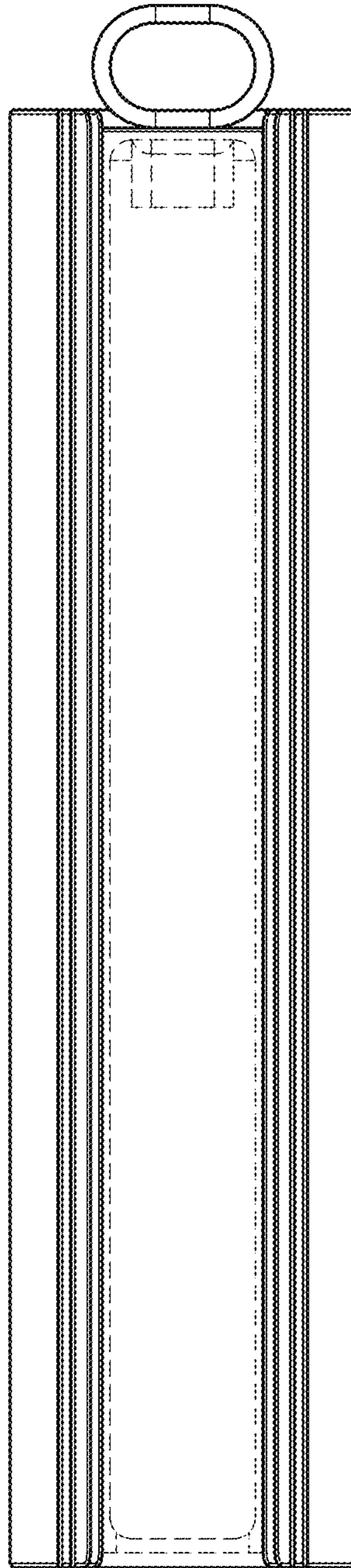
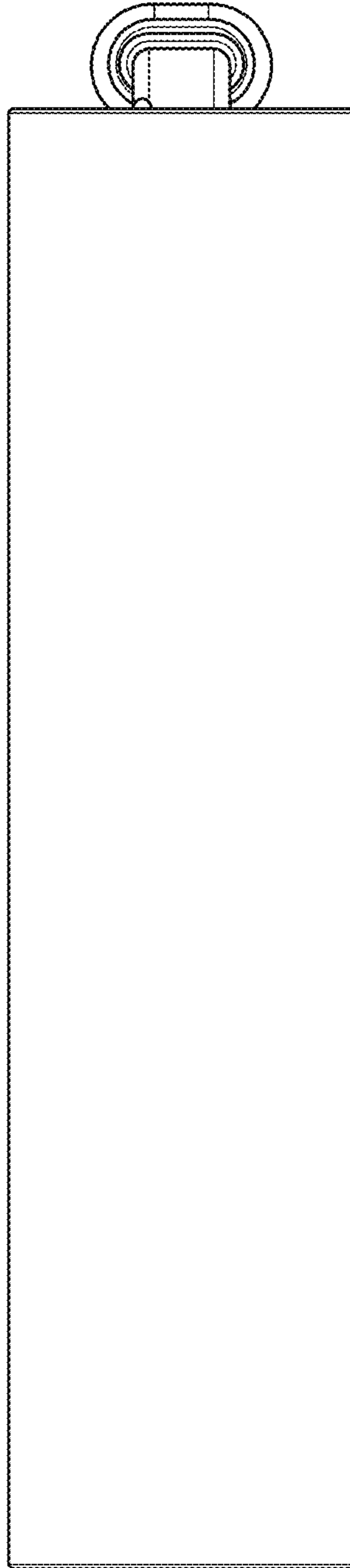


FIG. 3



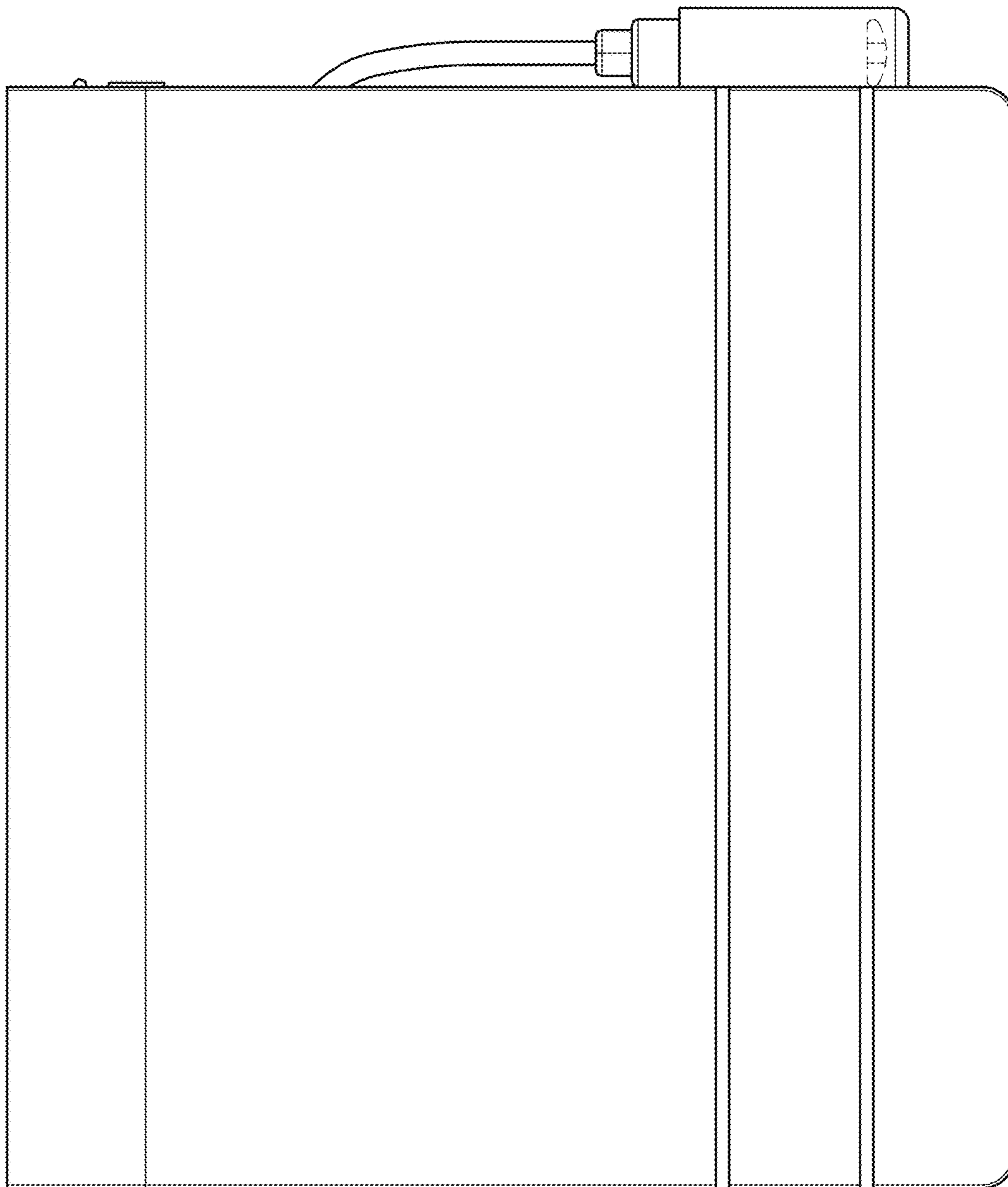


FIG. 4

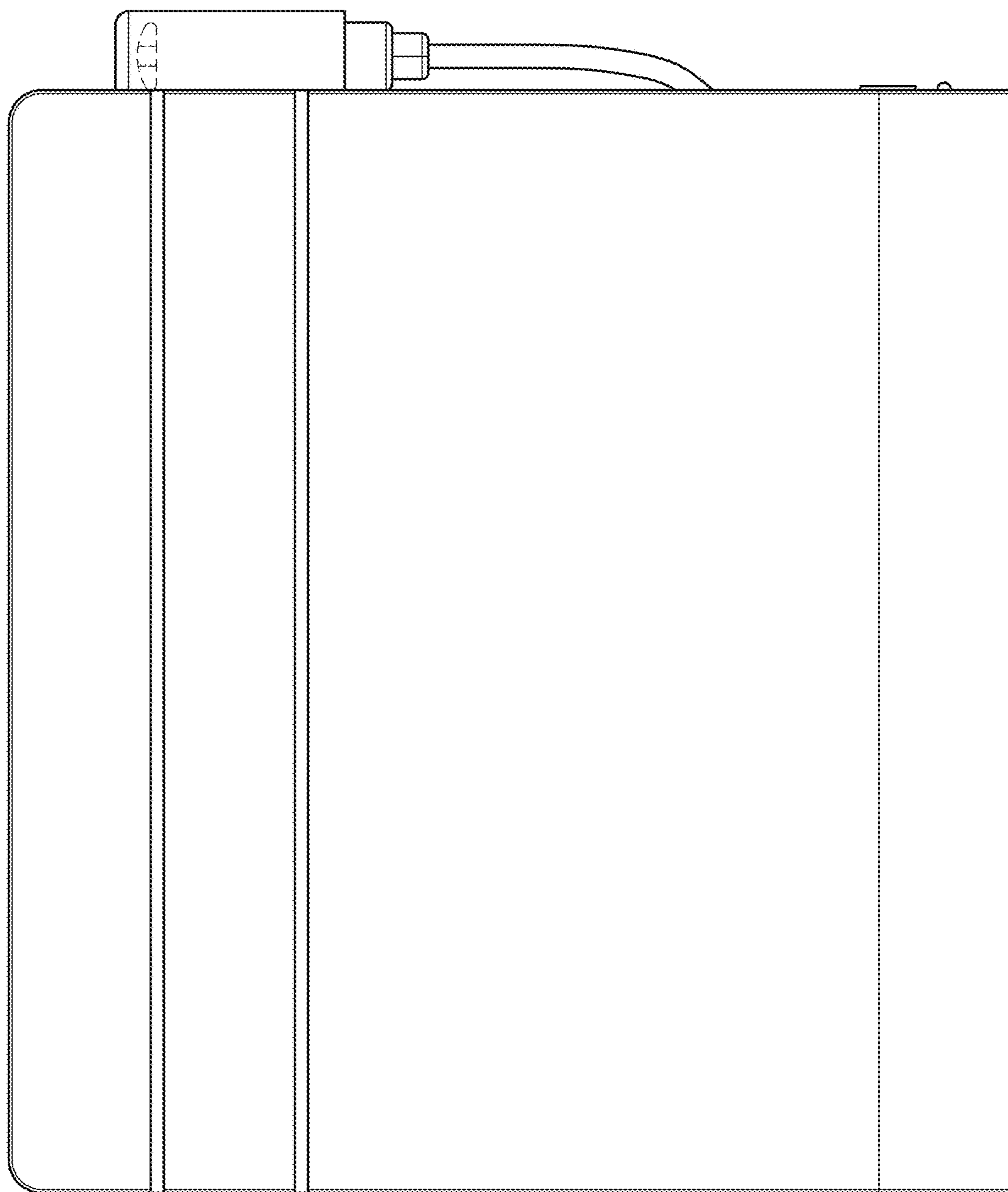


FIG. 5

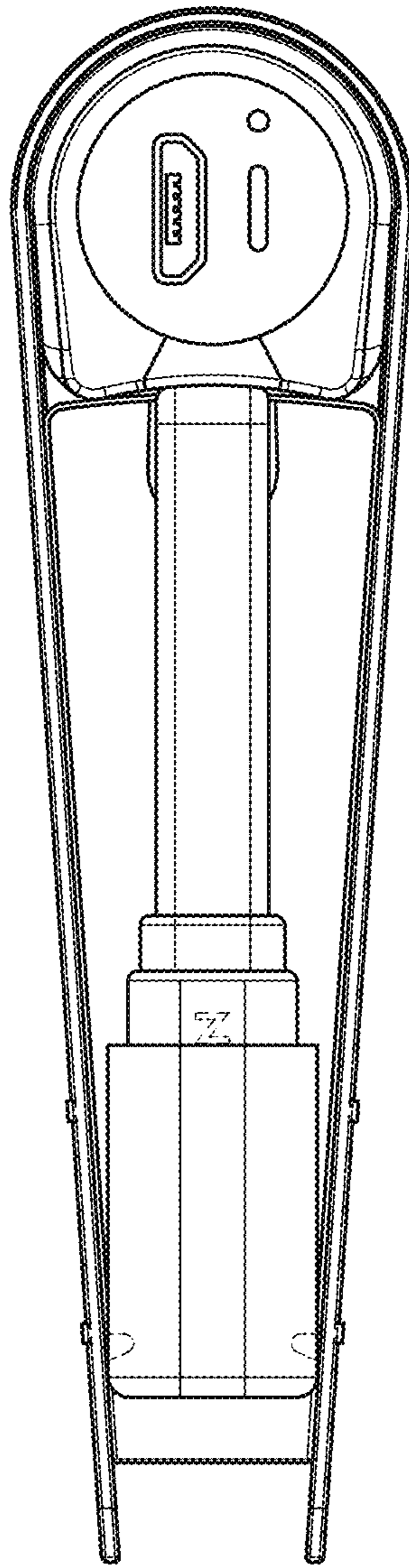


FIG. 6

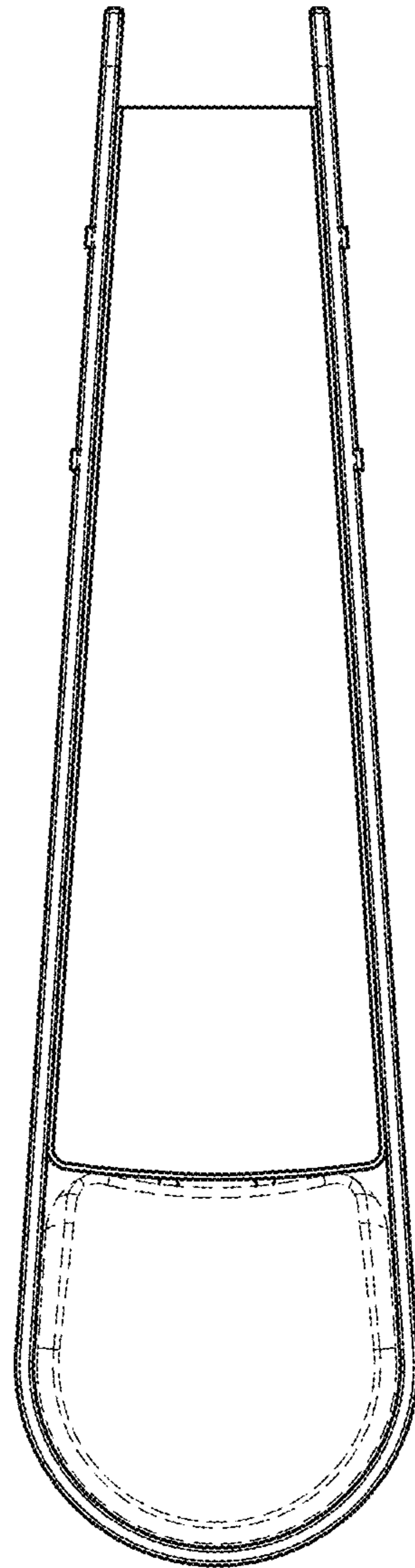


FIG. 7

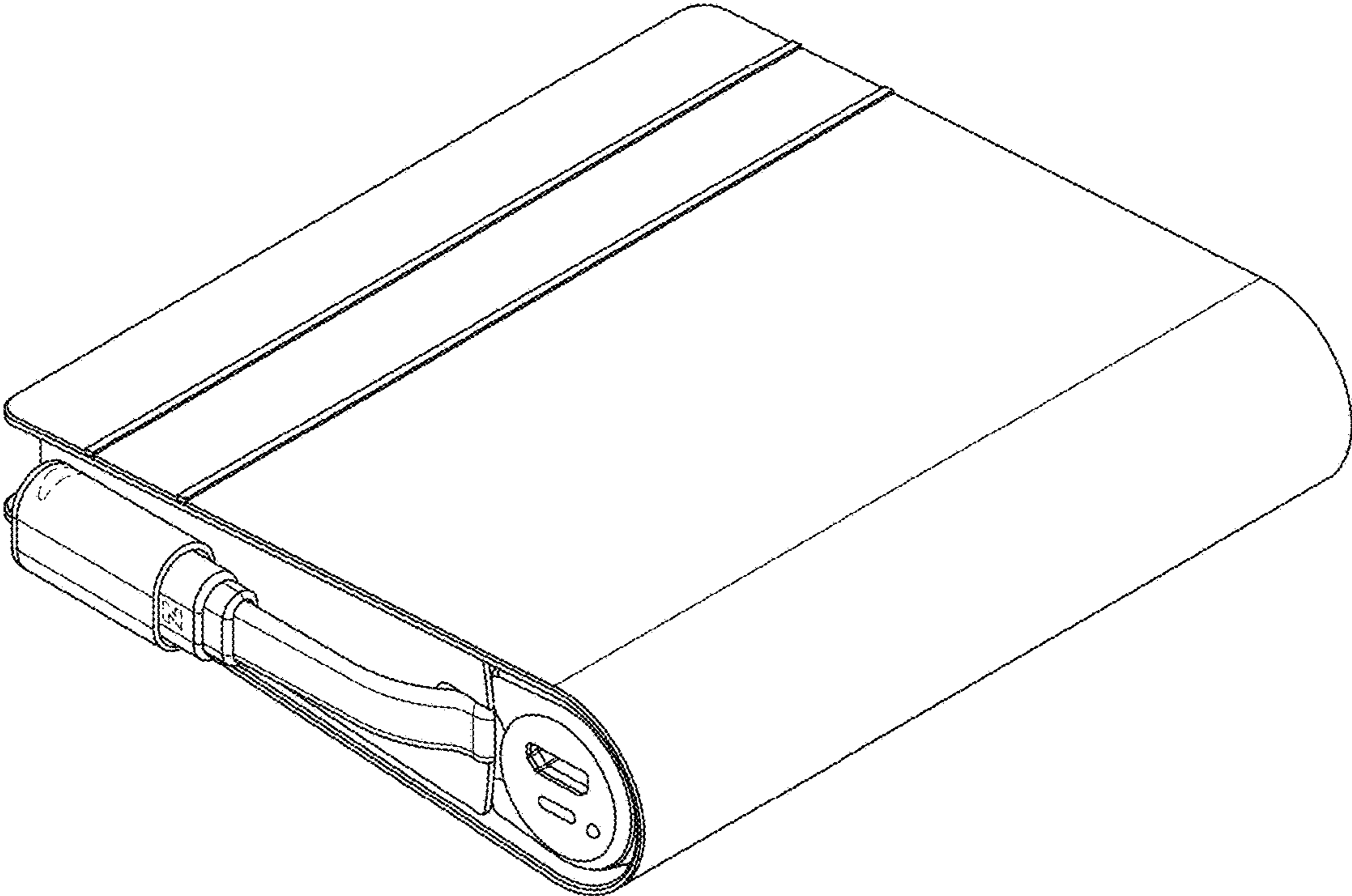


FIG. 8

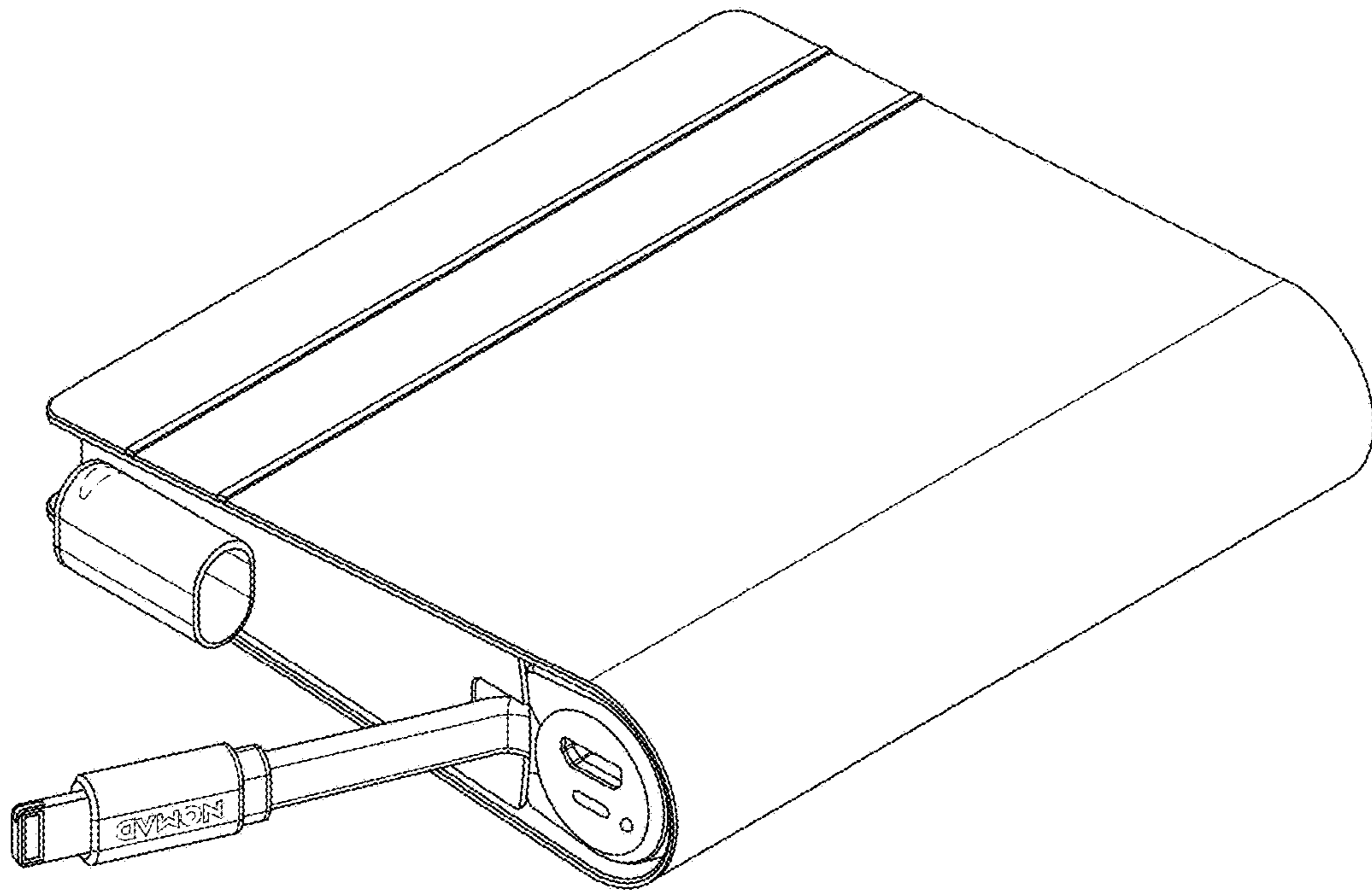


FIG. 9