



US00D809792S

(12) **United States Design Patent**
Moon

(10) **Patent No.:** **US D809,792 S**

(45) **Date of Patent:** **** Feb. 13, 2018**

(54) **CARD WALLET**

(71) Applicant: **Erik P. Moon**, San Jose, CA (US)

(72) Inventor: **Erik P. Moon**, San Jose, CA (US)

(73) Assignee: **Decadent Minimalist Inc.**, Algona, WA (US)

(**) Term: **15 Years**

(21) Appl. No.: **29/582,473**

(22) Filed: **Oct. 27, 2016**

Related U.S. Application Data

(63) Continuation of application No. 14/457,403, filed on Aug. 12, 2014, now Pat. No. 9,681,721.

(51) **LOC (11) Cl.** **03-01**

(52) **U.S. Cl.**
USPC **D3/247**

(58) **Field of Classification Search**
USPC D3/247, 249–253
CPC A45C 1/06; A45C 3/08; A45C 11/182;
A45C 2001/067
See application file for complete search history.

(56) **References Cited**

U.S. PATENT DOCUMENTS

D627,786 S * 11/2010 Hsia 14/435
D628,795 S * 12/2010 Sanders D3/247

D630,848 S * 1/2011 Long D3/247
D716,043 S * 10/2014 Wilk D3/247
D724,841 S * 3/2015 Schneider D3/247
9,339,094 B2 * 5/2016 Tucker-Skow A45C 11/182
9,681,721 B2 * 6/2017 Moon A45C 11/182

* cited by examiner

Primary Examiner — Holly H Baynham

(74) *Attorney, Agent, or Firm* — Intellectual Property Law Group LLP

(57) **CLAIM**

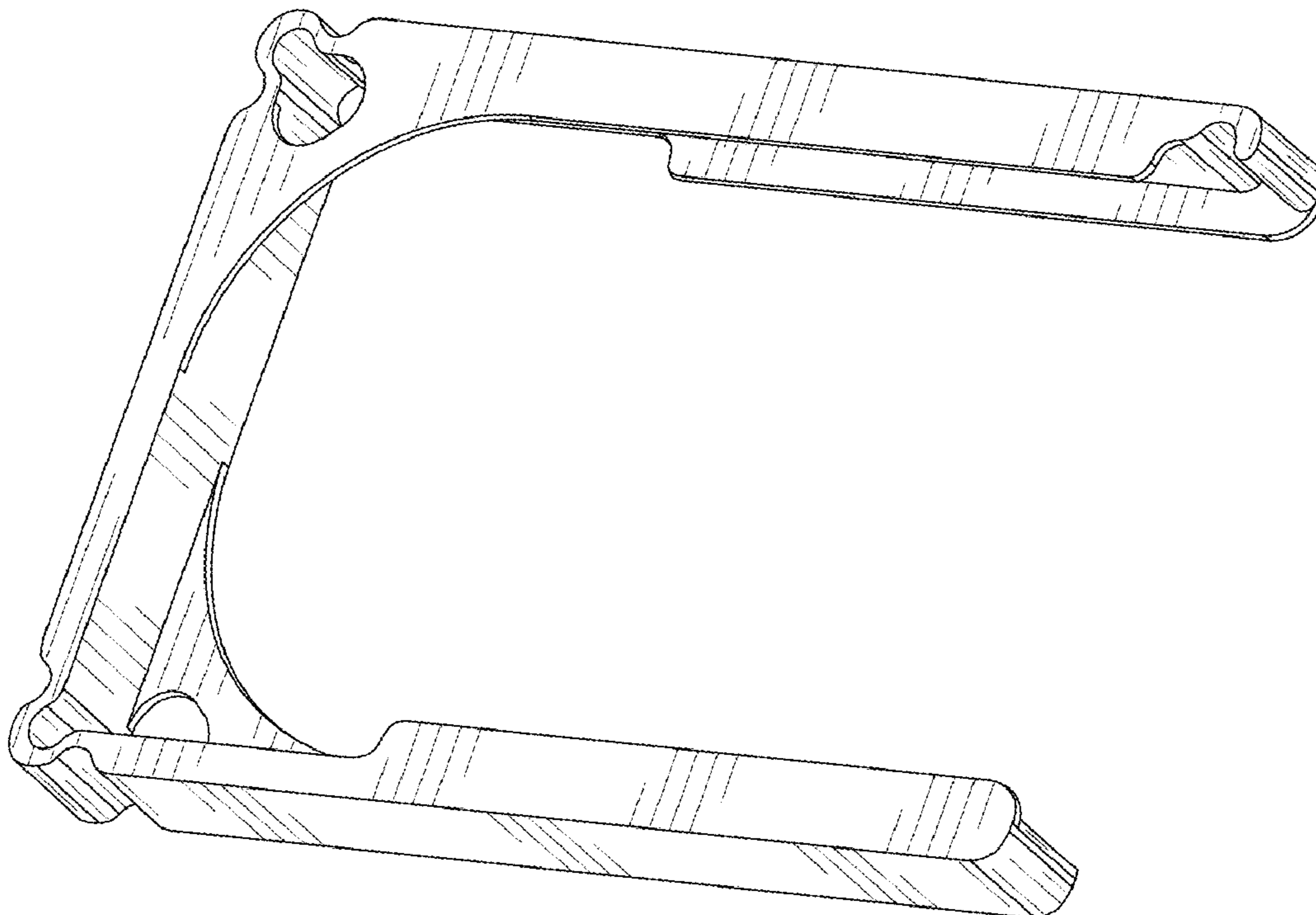
The ornamental design for a card wallet, as shown and described.

DESCRIPTION

FIG. 1 is a front, right, bottom perspective view of a card wallet, embodying my new design;
FIG. 2 is a rear, left, bottom perspective view thereof;
FIG. 3 is a front view thereof with an inserted card;
FIG. 4 is a rear view thereof with an inserted card;
FIG. 5 is a front view of FIG. 1;
FIG. 6 is a left side view thereof;
FIG. 7 is a right side view thereof;
FIG. 8 is a top plan view thereof;
FIG. 9 is a bottom plan view thereof;
FIG. 10 is a rear view thereof; and,
FIG. 11 is a cross-section view taken along line 11-11 of FIG. 10.

The broken lines are provided for purposes of illustration and form no part of the claimed design.

1 Claim, 4 Drawing Sheets



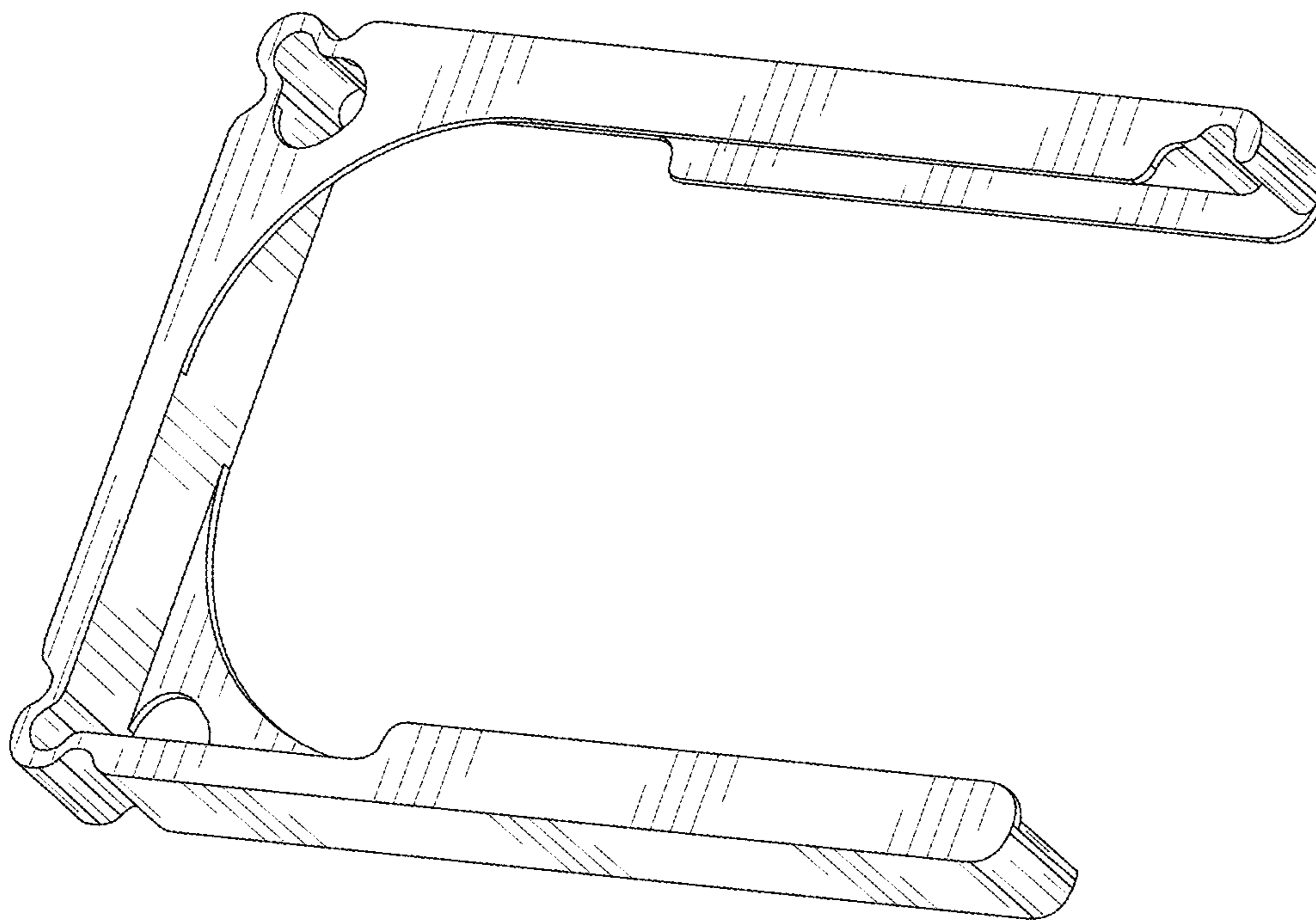


FIG. 1

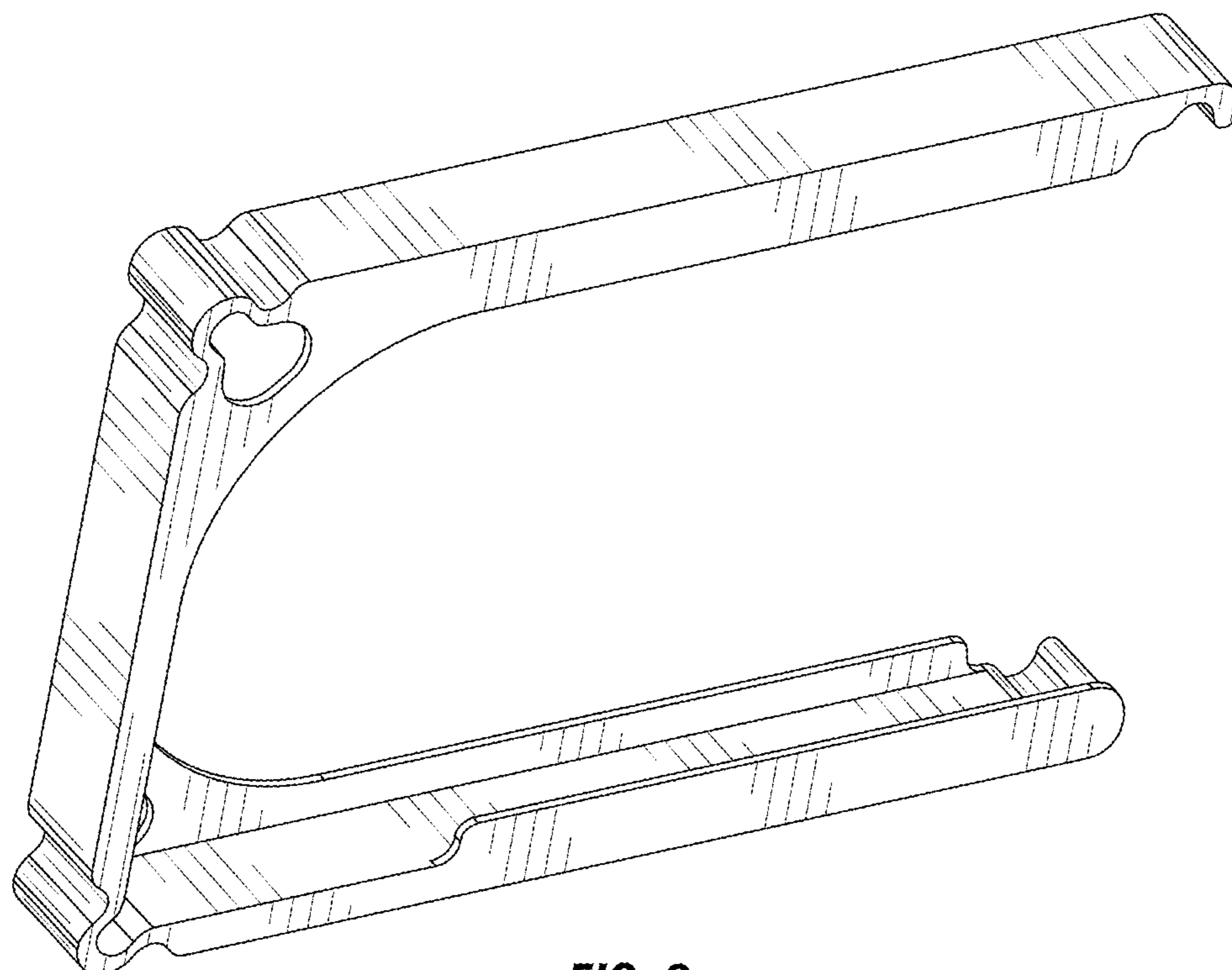


FIG. 2

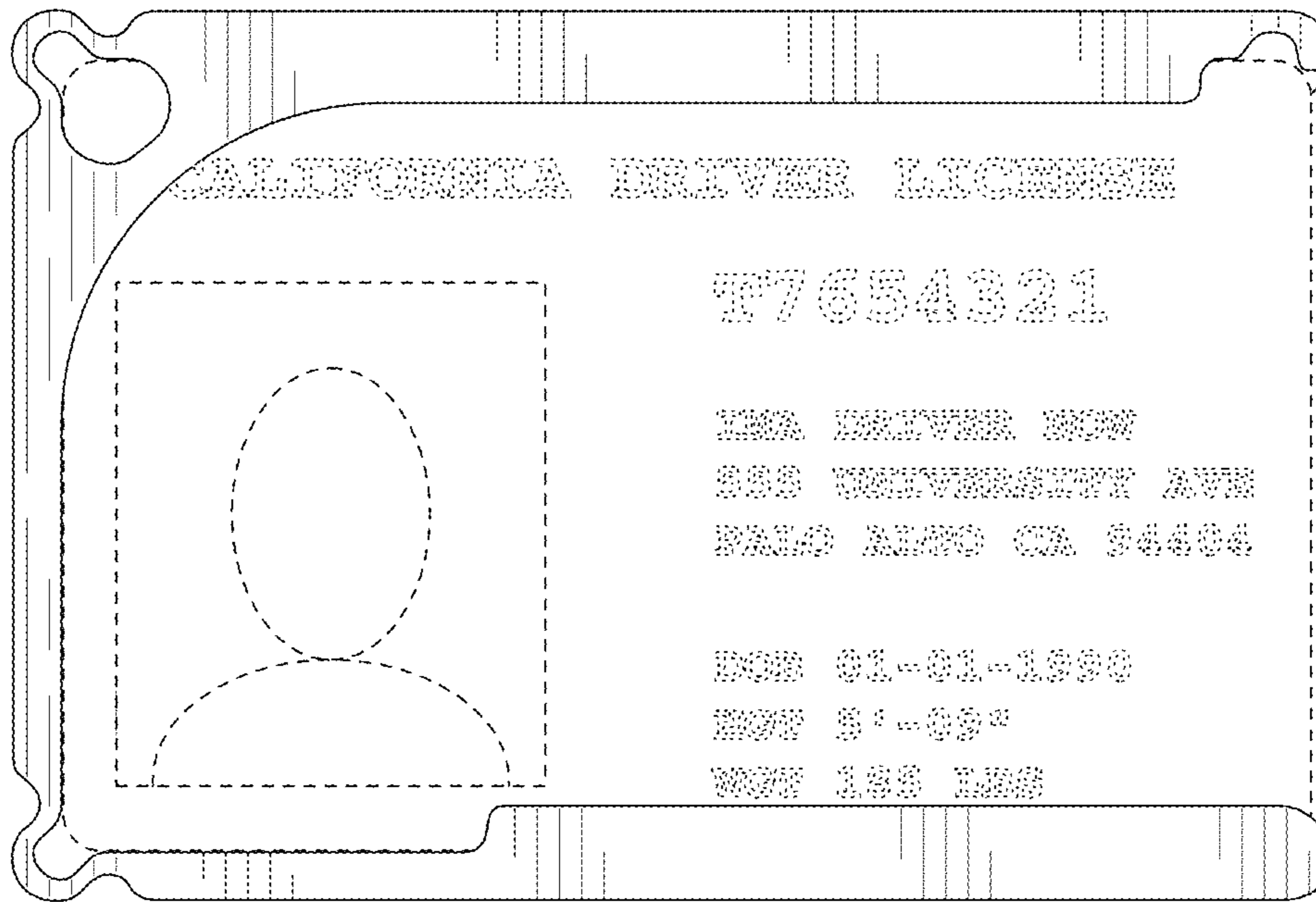


FIG. 3

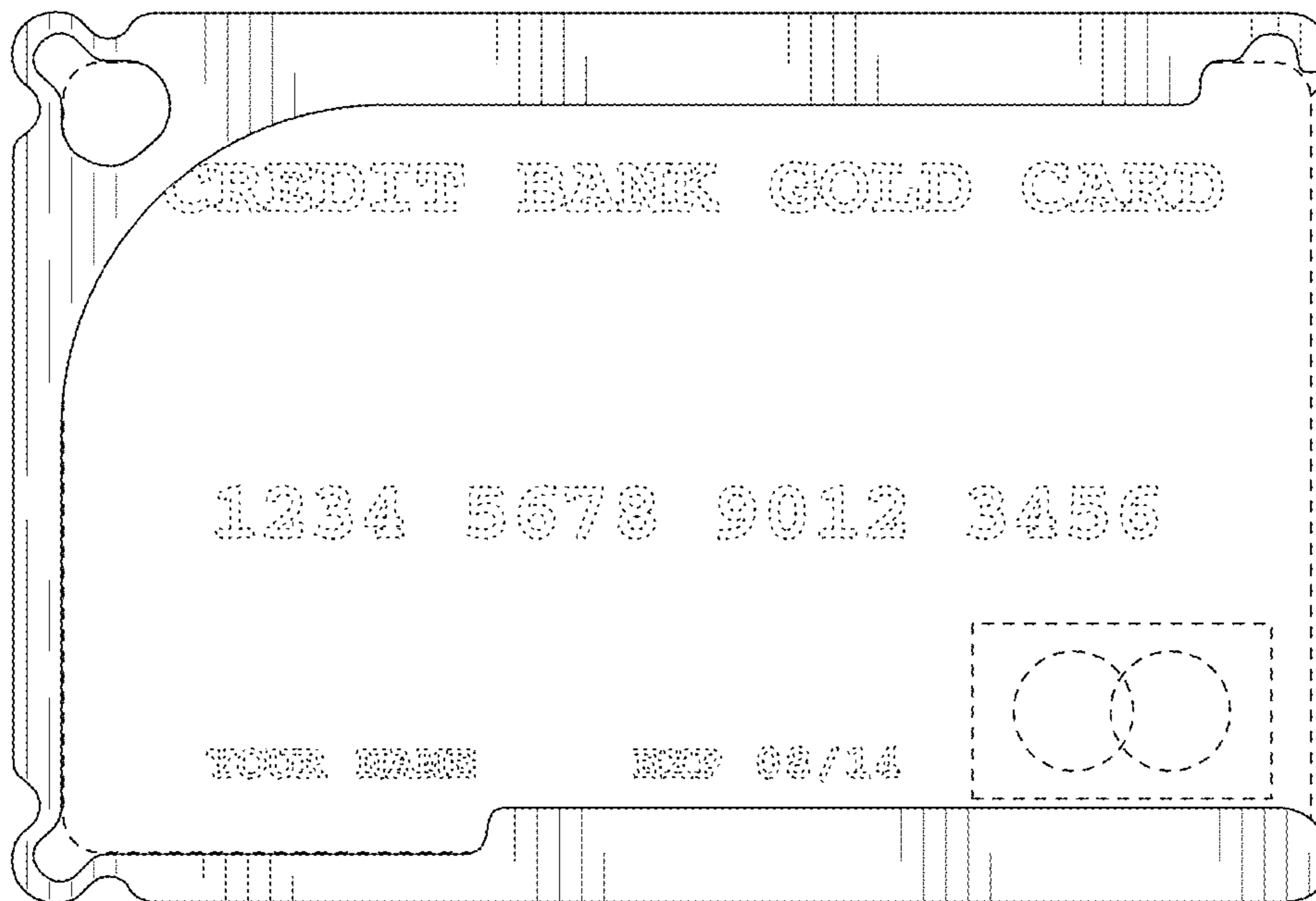


FIG. 4

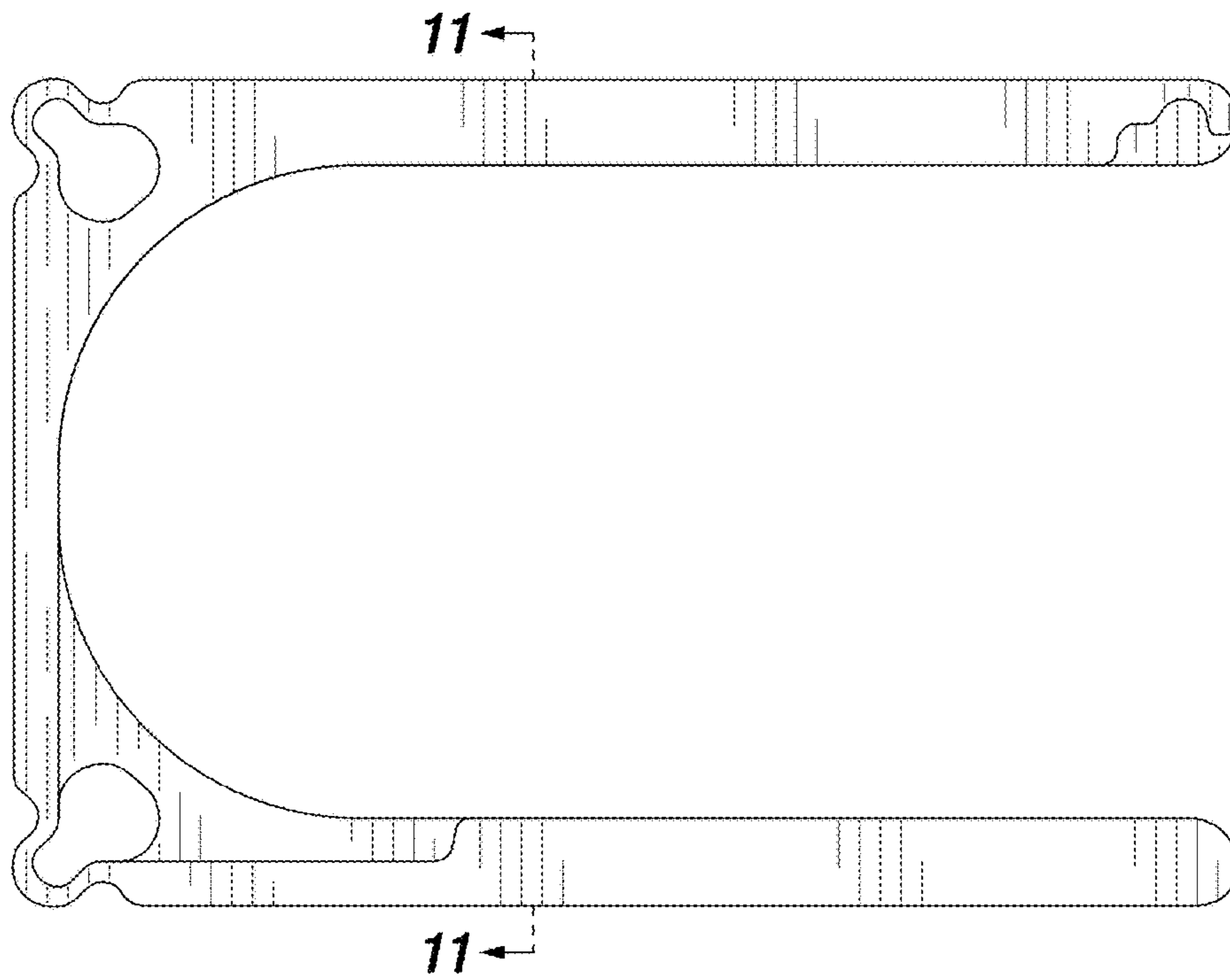


FIG. 5

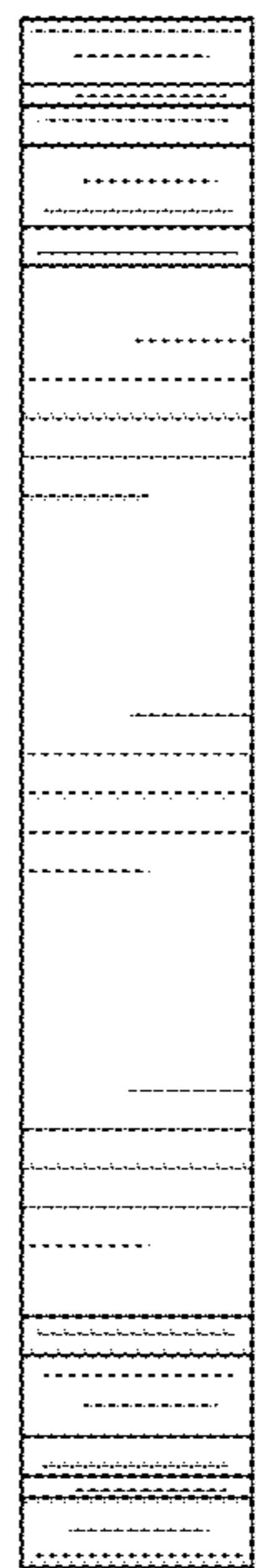


FIG. 6

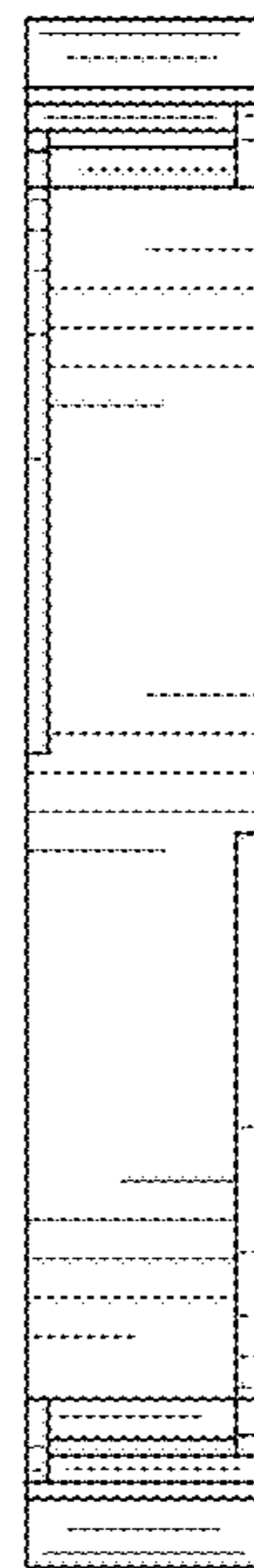


FIG. 7

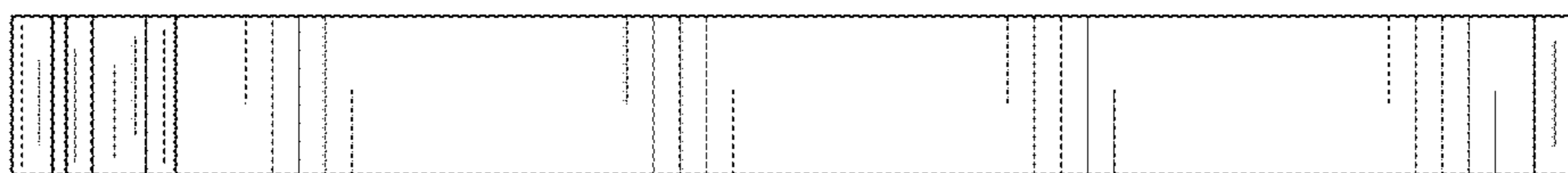


FIG. 8

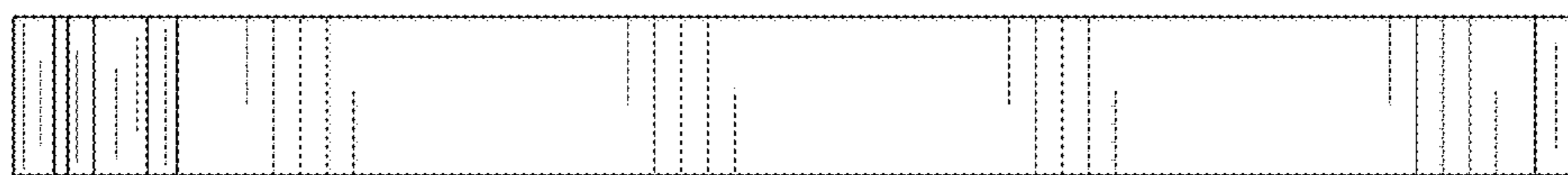


FIG. 9

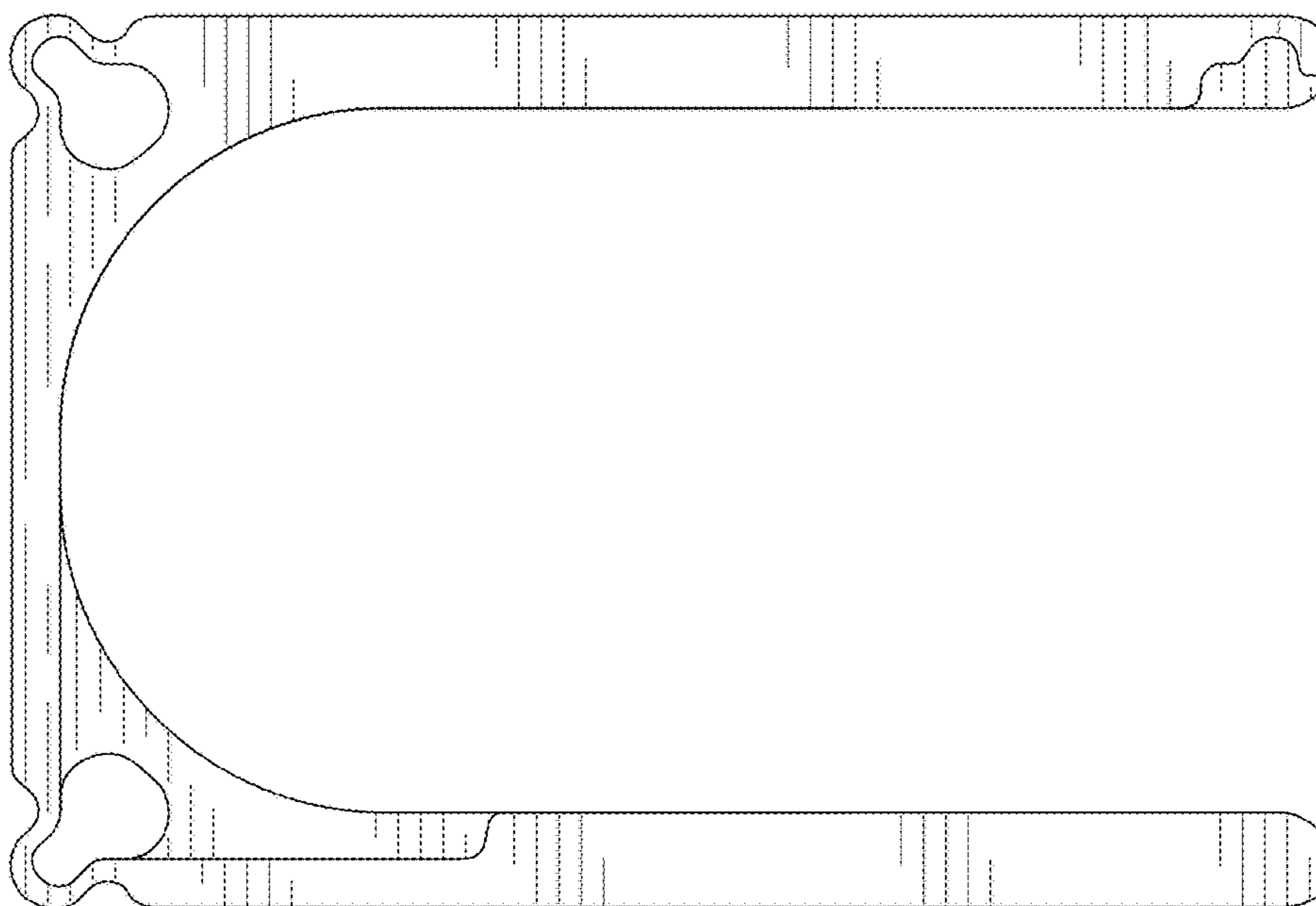


FIG. 10



FIG. 11