



US00D809791S

(12) **United States Design Patent** (10) **Patent No.:** **US D809,791 S**  
**DeChant** (45) **Date of Patent:** **\*\* Feb. 13, 2018**

(54) **VERTICAL BIFOLD CELL PHONE WALLET**

(71) Applicant: **Daniel A. DeChant**, Madison, WI (US)

(72) Inventor: **Daniel A. DeChant**, Madison, WI (US)

(\*\*) Term: **15 Years**

(21) Appl. No.: **29/559,234**

(22) Filed: **Mar. 25, 2016**

**Related U.S. Application Data**

(63) Continuation of application No. 29/505,167, filed on Mar. 27, 2015, now Pat. No. Des. 756,641, which is a continuation of application No. 29/449,465, filed on Mar. 15, 2013, now Pat. No. Des. 728,928.

(51) **LOC (11) Cl.** ..... **03-01**

(52) **U.S. Cl.**  
USPC ..... **D3/247**

(58) **Field of Classification Search**  
USPC ..... D3/247, 249-253  
CPC ..... A45C 1/06; A45C 3/08  
See application file for complete search history.

(56) **References Cited**

**U.S. PATENT DOCUMENTS**

D13,040 S	7/1882	Brueck
658,394 A	9/1900	Peters
833,834 A	10/1906	Hille
940,853 A	11/1909	Cardwell
1,035,945 A	8/1912	Cardwell
1,035,946 A	8/1912	Cardwell
1,073,768 A	9/1913	Loveland
D45,677 S	4/1914	Shick

(Continued)

**FOREIGN PATENT DOCUMENTS**

CA	134785	10/2010
DE	197428065 U	11/1974

(Continued)

**OTHER PUBLICATIONS**

DeChant, Co-pending U.S. Appl. No. 29/513,712, filed Jan. 5, 2015.

(Continued)

*Primary Examiner* — Holly H Baynham

(74) *Attorney, Agent, or Firm* — Michael Best & Friedrich LLP

(57) **CLAIM**

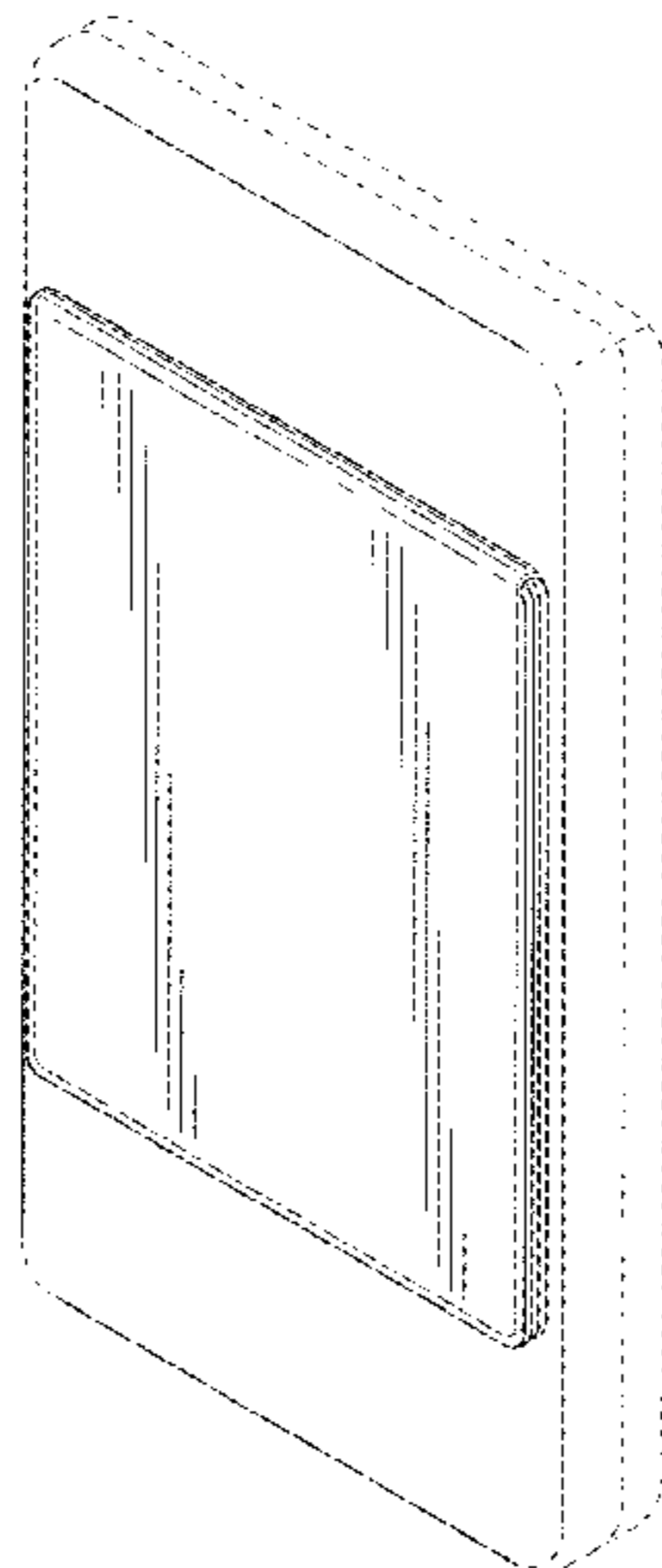
The ornamental design for a vertical bifold cell phone wallet, as shown and described.

**DESCRIPTION**

FIG. 1 is a perspective view of a vertical bifold cell phone wallet with interior framed pockets according to an embodiment showing my new design;  
FIG. 2 is a front view thereof;  
FIG. 3 is a rear view thereof;  
FIG. 4 is a left side view thereof;  
FIG. 5 is a right side view thereof;  
FIG. 6 is a top view thereof;  
FIG. 7 is a bottom view thereof;  
FIG. 8 is a perspective view of the vertical bifold cell phone wallet with interior framed pockets in an open condition;  
FIG. 9 is a front view thereof;  
FIG. 10 is a rear view thereof;  
FIG. 11 is a left side view thereof;  
FIG. 12 is a right side view thereof;  
FIG. 13 is a top view thereof; and,  
FIG. 14 is a bottom view thereof.

The present application is directed to the design illustrated in the drawings. The broken lines showing portions of the cell phone wallet are for purposes of illustrating environment and forms no part of the claimed design.

**1 Claim, 10 Drawing Sheets**



(56)

References Cited

U.S. PATENT DOCUMENTS

1,269,247 A 6/1918 Aslin  
 1,582,492 A 4/1926 Tantlinger  
 1,867,116 A 7/1932 Thornhill  
 1,978,970 A 10/1934 Thornhill  
 D101,819 S 11/1936 Miller  
 D112,415 S 11/1938 Zumft  
 D134,884 S 1/1943 Engelstein  
 2,493,409 A 1/1950 Simon  
 2,746,503 A 5/1956 Simon  
 D178,800 S 9/1956 McKinnon  
 D185,056 S 5/1959 Arkin  
 3,162,227 A 12/1964 Bakken  
 1,671,297 A 2/1968 Levi  
 3,370,777 A 2/1968 Levi  
 3,659,640 A 5/1972 Fenster  
 D255,509 S 6/1980 Nathan et al.  
 4,388,734 A 6/1983 Cowden  
 D279,423 S 7/1985 Zucker  
 4,705,086 A 11/1987 O'Neill  
 D308,887 S 6/1990 Wyant  
 4,942,913 A 7/1990 Musso  
 D311,815 S 11/1990 Balsley  
 D314,213 S 1/1991 Bishop  
 D334,588 S 4/1993 Okola  
 D340,355 S 10/1993 Little  
 D342,829 S 1/1994 Mitchell  
 D410,774 S 6/1999 Inbert  
 6,105,298 A 8/2000 Grayson  
 D434,340 S 12/2000 Kojoori  
 D434,899 S 12/2000 Kojoori  
 D435,339 S 12/2000 Cleveland  
 6,427,836 B1 8/2002 Bolanos  
 D471,704 S 3/2003 Moore  
 D510,596 S 10/2005 Ong  
 D527,899 S 9/2006 Morehead  
 7,204,398 B1 4/2007 Smith, Sr.  
 7,261,133 B1 8/2007 Copeland  
 D551,446 S 9/2007 Elnekaveh  
 7,496,971 B2 3/2009 Soto  
 D594,656 S 6/2009 Wills  
 7,546,860 B1 6/2009 Mehdizadeh  
 D608,092 S 1/2010 Holzner et al.  
 D619,806 S 7/2010 Franks  
 8,047,364 B2 1/2011 Longinotti-Buitoni  
 D633,714 S 3/2011 Marshall  
 8,833,379 B1 9/2014 Kaplan  
 D723,798 S 3/2015 Sha

D727,019 S 4/2015 DeChant  
 D727,619 S 4/2015 DeChant  
 D728,228 S 5/2015 DeChant  
 D728,229 S 5/2015 DeChant  
 D728,928 S 5/2015 DeChant  
 D730,646 S 6/2015 DeChant  
 D754,433 S \* 4/2016 DeChant ..... D3/247  
 D754,434 S \* 4/2016 DeChant ..... D3/247  
 D755,513 S \* 5/2016 DeChant ..... D3/247  
 D756,641 S \* 5/2016 DeChant ..... D3/247  
 D756,643 S \* 5/2016 DeChant ..... D3/247  
 D764,167 S \* 8/2016 DeChant ..... D3/247  
 2005/0126667 A1 6/2005 Bell  
 2007/0057004 A1 3/2007 Butler et al.  
 2007/0232372 A1 10/2007 Plaster  
 2007/0262112 A1 11/2007 Butler et al.  
 2008/0006355 A1 1/2008 Gomez Micone  
 2008/0121322 A1 5/2008 Thomson  
 2009/0050686 A1 2/2009 Kon et al.  
 2009/0194571 A1 8/2009 Evans  
 2011/0030860 A1 2/2011 Allen et al.  
 2011/0057034 A1 3/2011 Maxwell  
 2011/0277892 A1 11/2011 Black  
 2012/0043234 A1 2/2012 Westrup  
 2012/0050968 A1 3/2012 Child et al.  
 2012/0168483 A1 7/2012 Jambunathan et al.  
 2013/0140203 A1 6/2013 Chiang  
 2014/0262853 A1 9/2014 DeChant

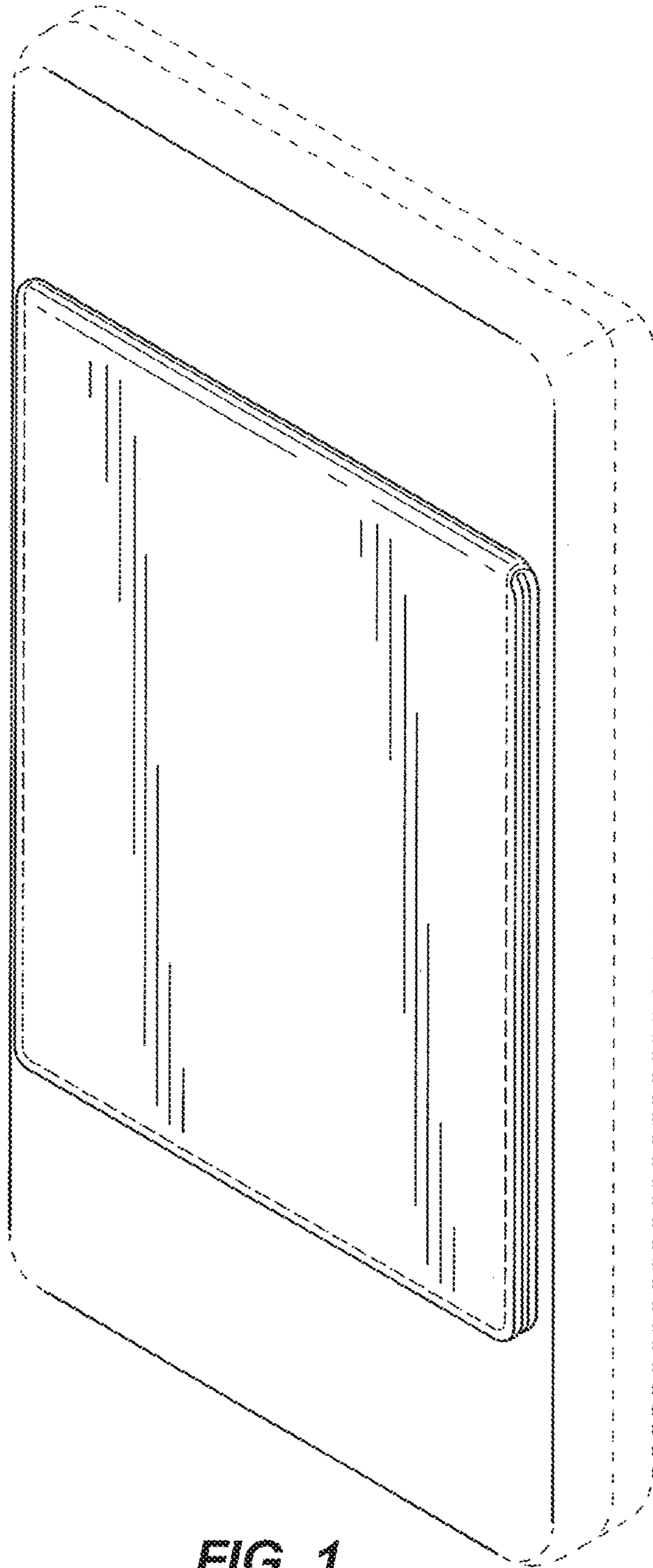
FOREIGN PATENT DOCUMENTS

DE 199107205 U1 7/1991  
 GB 2145622 4/1985  
 GB 2070518 11/1997  
 GB 4019846 5/2011  
 KR 300268261 6/2000  
 WO D073477 3/2010  
 WO 2012087152 6/2012

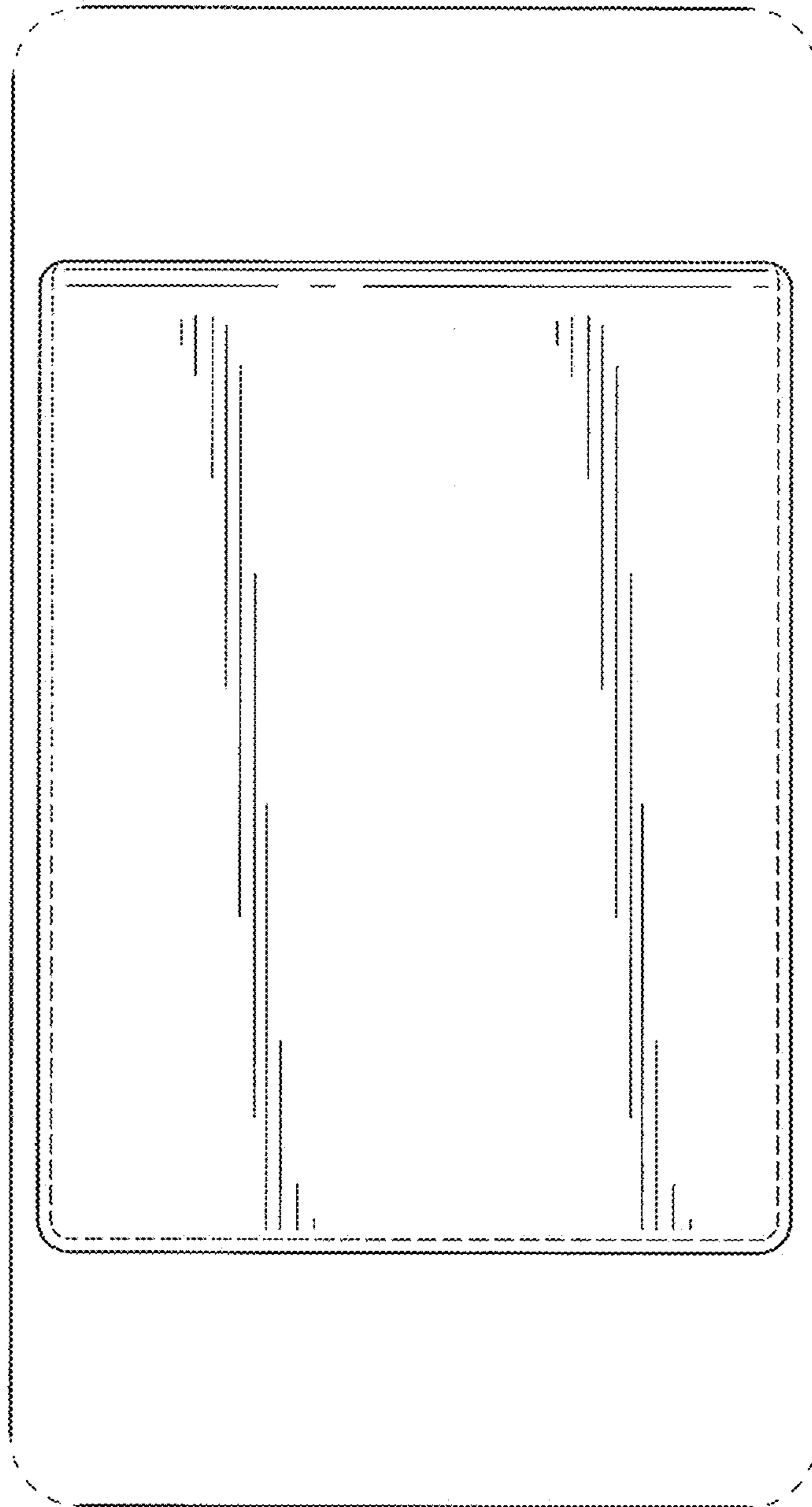
OTHER PUBLICATIONS

DeChant, Co-pending U.S. Appl. No. 29/513,713, filed Jan. 5, 2015.  
 DeChant, Co-pending U.S. Appl. No. 29/520,710, filed Mar. 17, 2015.  
 DeChant, Co-pending U.S. Appl. No. 14/670,595, filed Mar. 27, 2015.  
 DeChant, Co-pending U.S. Appl. No. 29/519,837, filed Mar. 9, 2015.

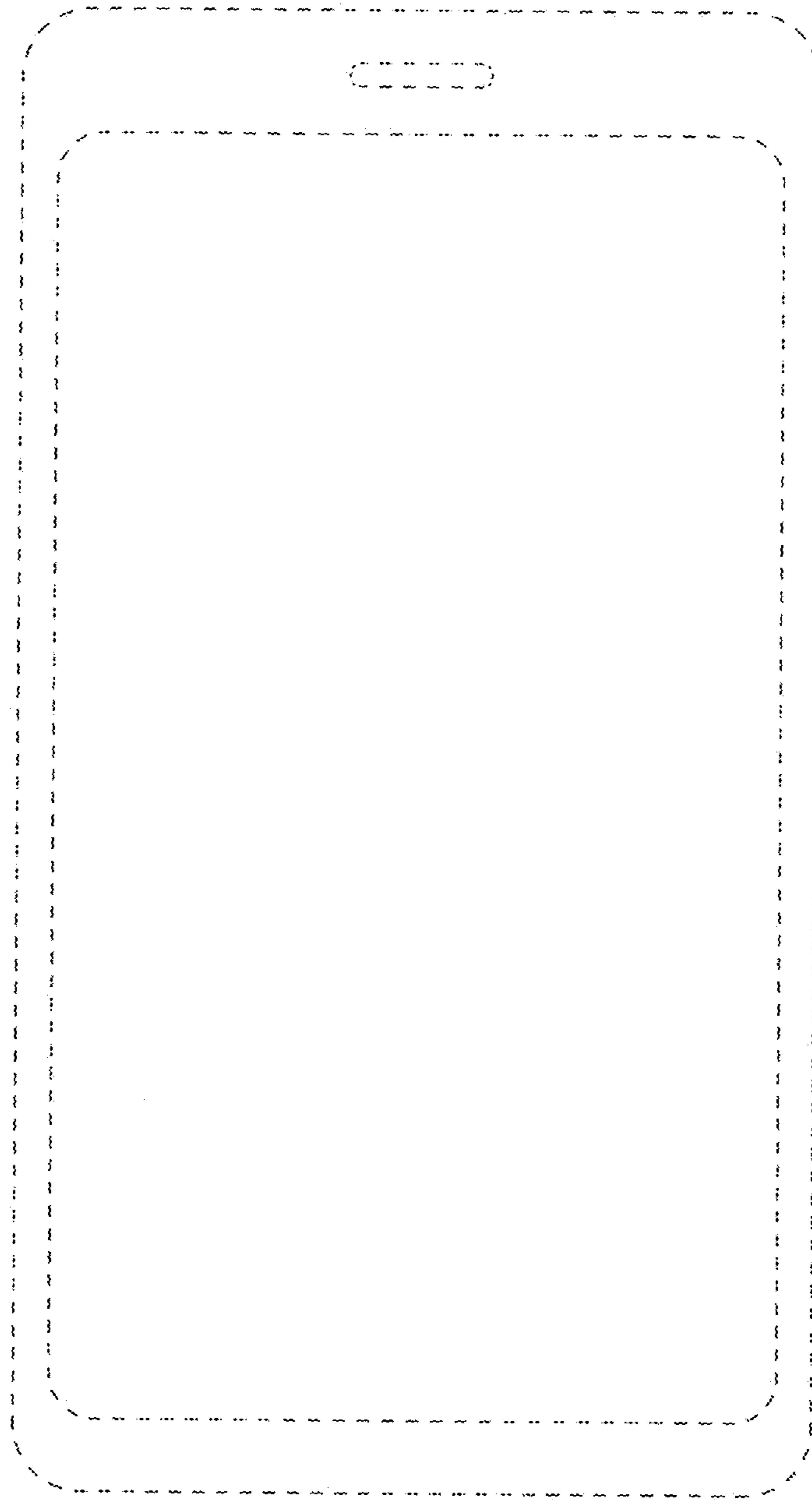
\* cited by examiner



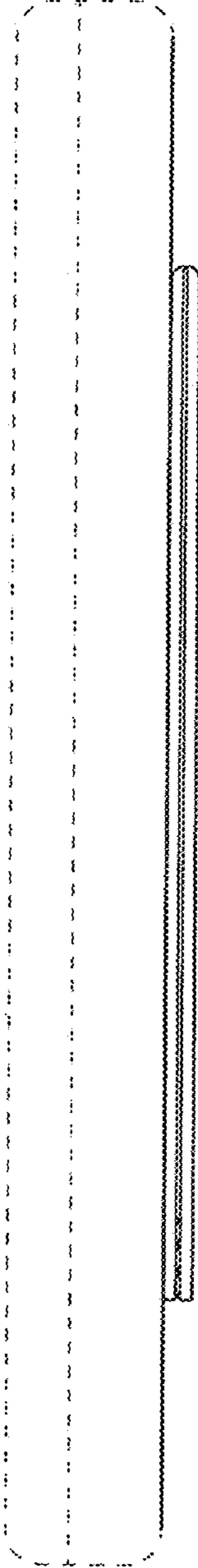
**FIG. 1**



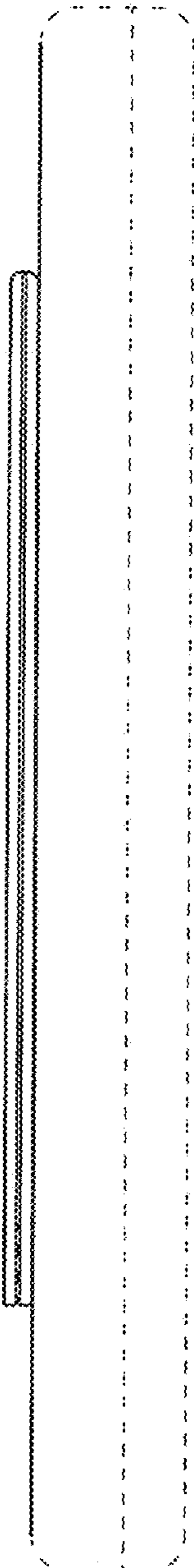
**FIG. 2**



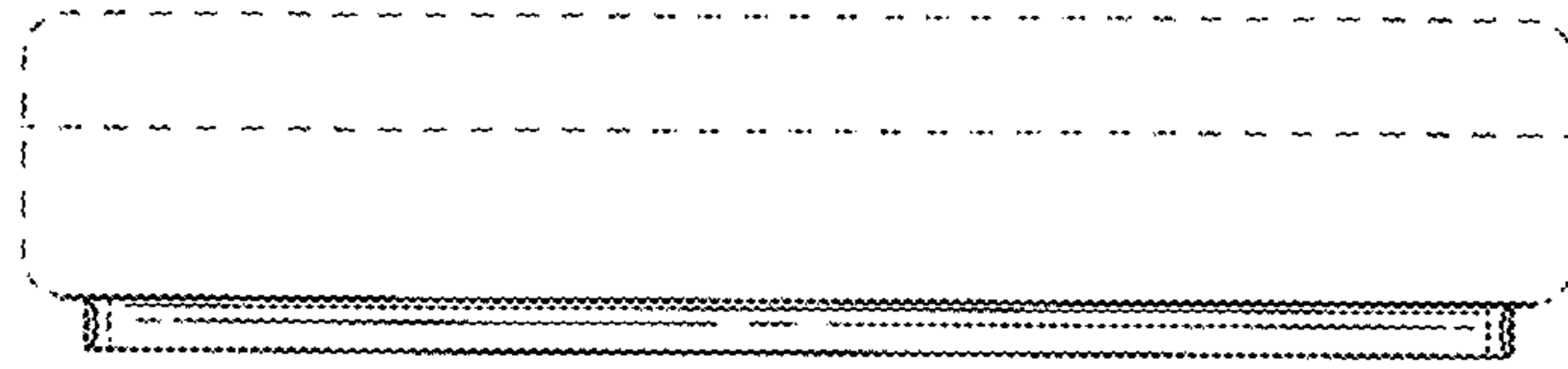
**FIG. 3**



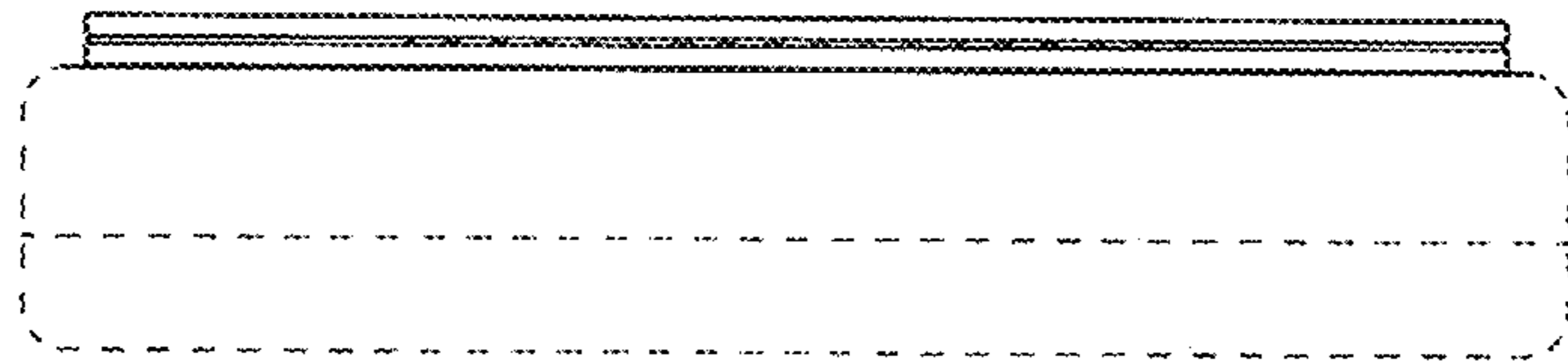
**FIG. 4**



**FIG. 5**



**FIG. 6**



**FIG. 7**

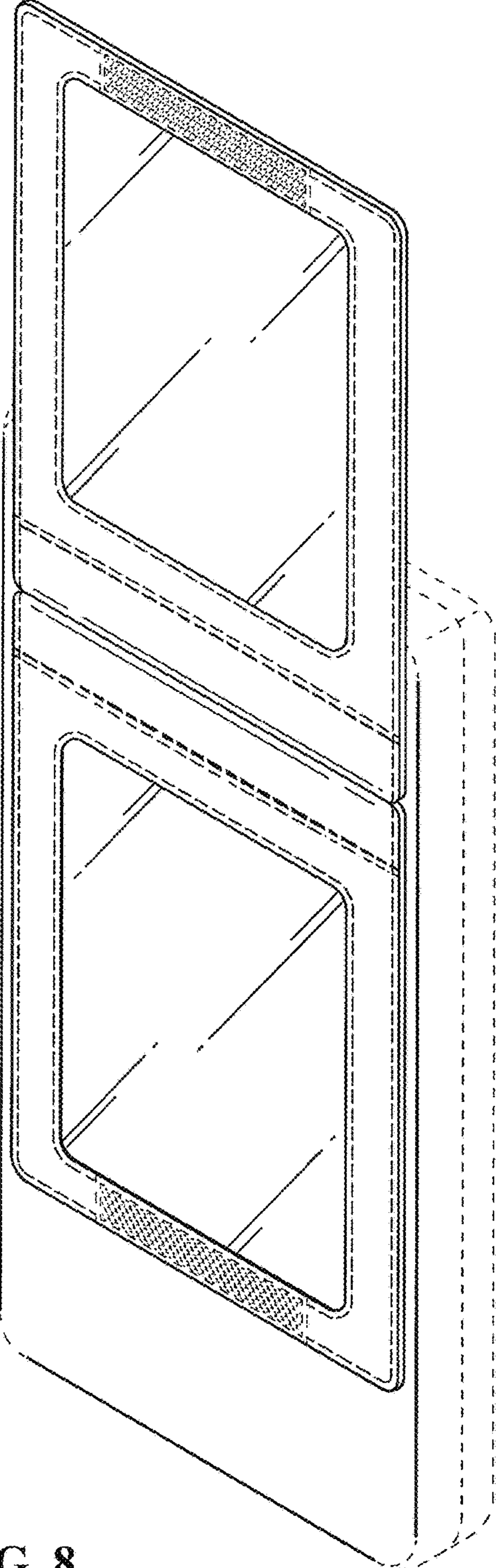


FIG. 8



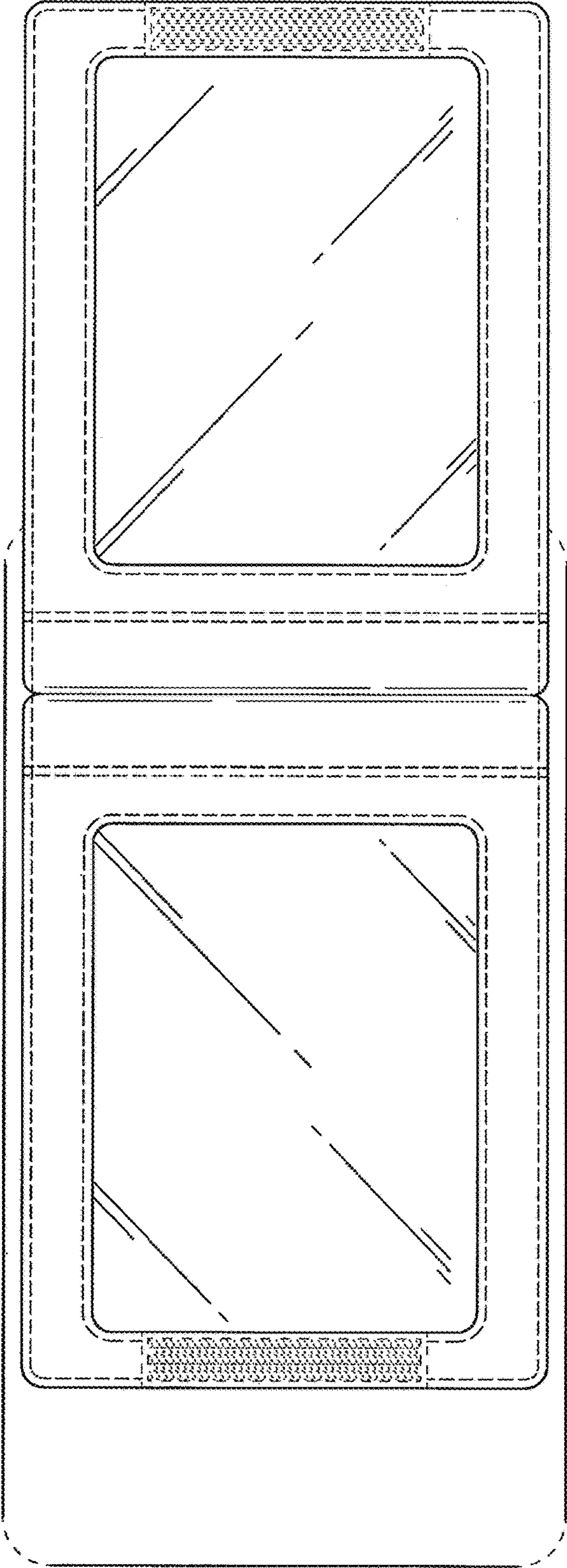
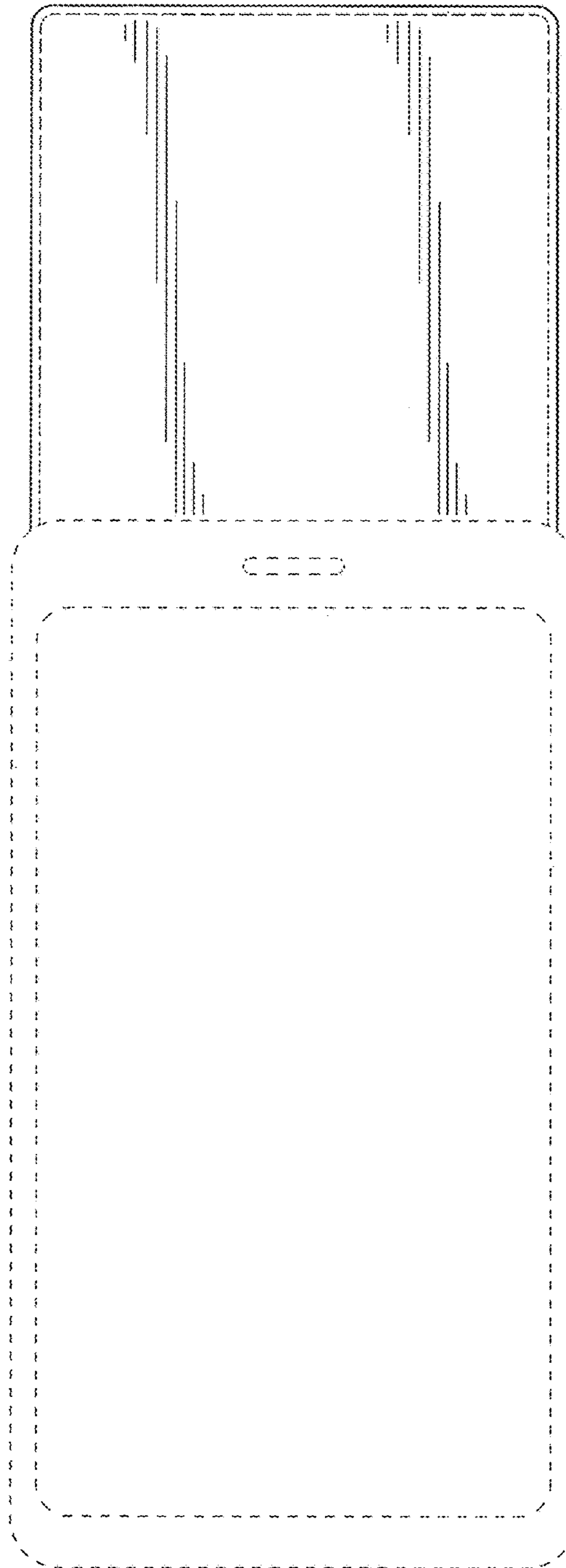
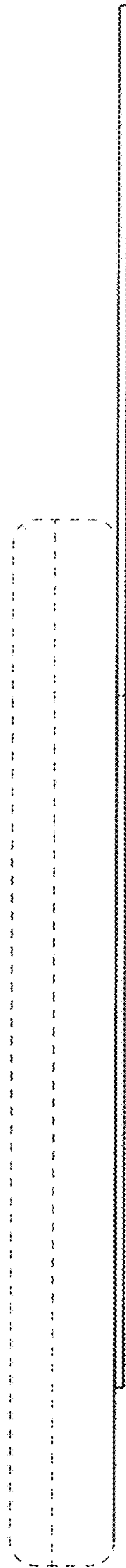


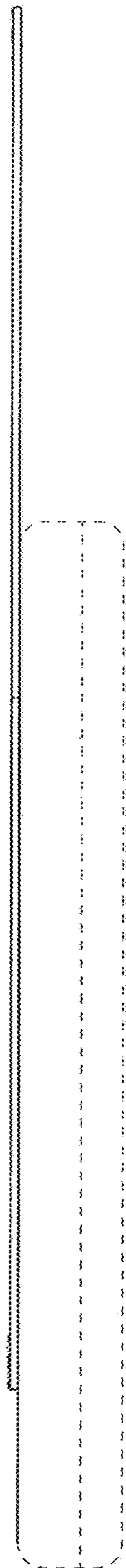
FIG. 9



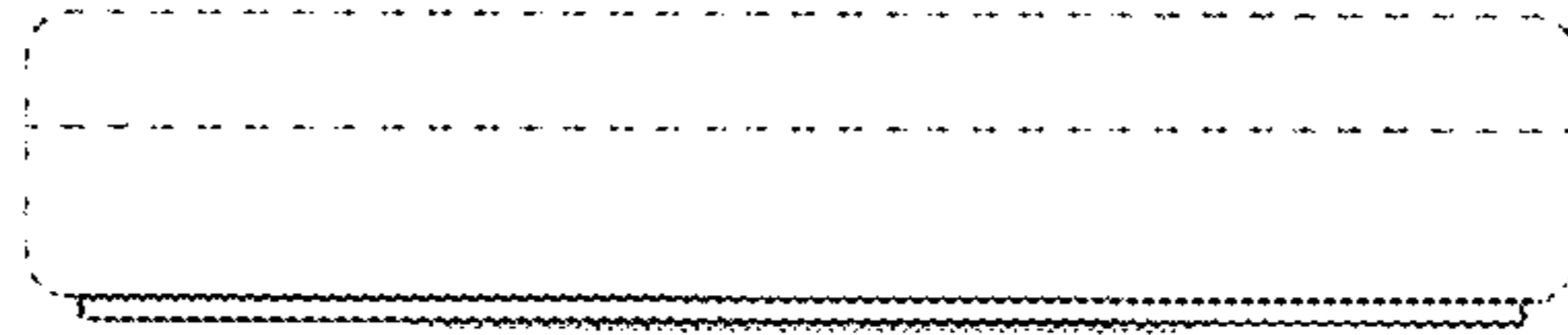
**FIG. 10**



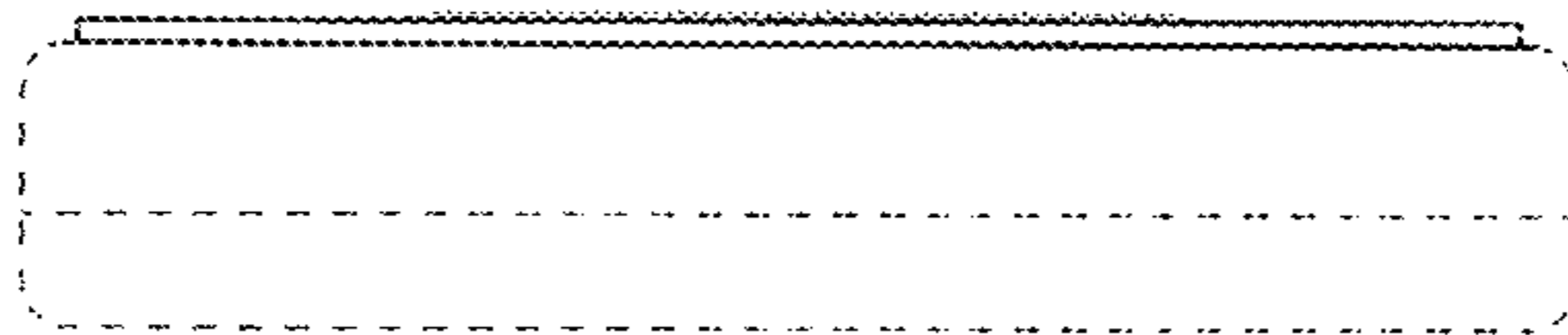
**FIG. 11**



**FIG. 12**



**FIG. 13**



**FIG. 14**