

US00D809787S

(12) **United States Design Patent**  
**Votel et al.**

(10) **Patent No.:** **US D809,787 S**

(45) **Date of Patent:** **\*\* Feb. 13, 2018**

(54) **HOLSTER FOR A HAMMER**

D452,071 S \* 12/2001 Snider ..... D3/228

(71) Applicant: **Tenacious Holdings, Inc.**, St. Paul, MN (US)

\* cited by examiner

(72) Inventors: **Thomas Votel**, Sunfish Lake, MN (US);  
**Brent Velenchenko**, St. Paul, MN (US);  
**Nathan Bohmbach**, Lakeville, MN (US)

*Primary Examiner* — Catherine R Oliver-Garcia  
(74) *Attorney, Agent, or Firm* — Skaar Ulbrich Macari, P.A.

(73) Assignee: **Tenacious Holdings, Inc.**, St. Paul, MN (US)

(57) **CLAIM**

The ornamental design for a holster for a hammer, as shown and described.

(\*\*) Term: **15 Years**

**DESCRIPTION**

(21) Appl. No.: **29/587,455**

FIG. 1 is a perspective view of a holster for a hammer showing our new design;

(22) Filed: **Dec. 13, 2016**

FIG. 2 is a front elevation view thereof;

(51) **LOC (11) Cl.** ..... **03-01**

FIG. 3 is a rear elevation view thereof;

(52) **U.S. Cl.**

FIG. 4 is a rear elevation view thereof showing a dashed out belt;

USPC ..... **D3/228**

FIG. 5 is a left side elevation view thereof;

(58) **Field of Classification Search**

FIG. 6 is a right side elevation view thereof;

USPC ..... D3/228, 215, 221, 224, 226;

FIG. 7 is a top plan view thereof; and,

224/195–197, 240, 269, 667, 674

FIG. 8 is a bottom plan view thereof.

CPC ..... A45F 5/02; A45F 5/021

See application file for complete search history.

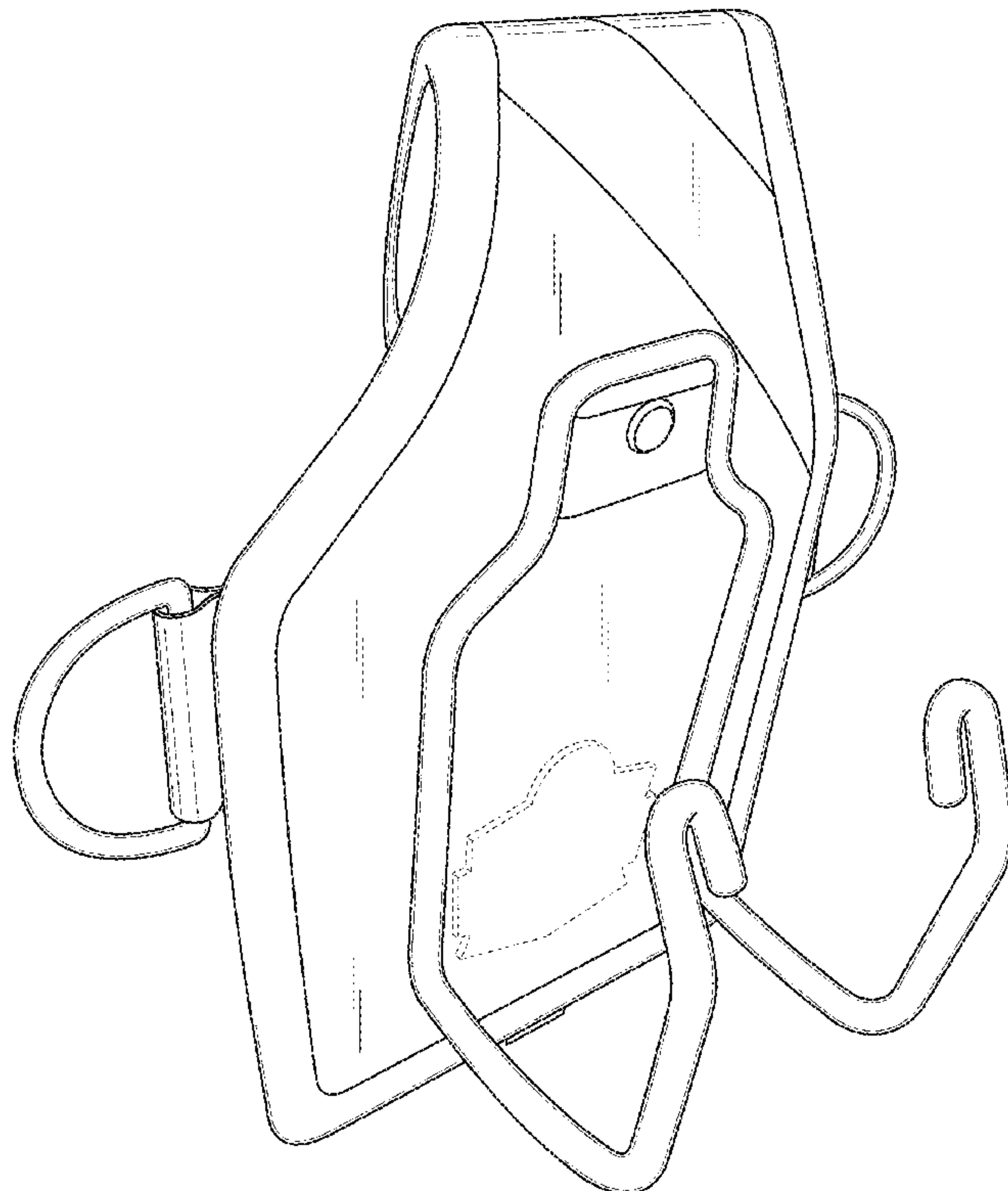
The broken lines in FIGS. 3, 4, 5, 6 and 8 showing a clasp illustrate portions of a holster for a hammer that form no part of the claimed invention. The broken lines in FIGS. 1 and 2 showing a logo outline illustrate portions of a holster for a hammer that form no part of the claimed invention. The broken lines in FIG. 4 outlining a belt show environmental matter and illustrate matter that forms no part of the claimed design.

(56) **References Cited**

**U.S. PATENT DOCUMENTS**

D359,848 S *	7/1995	Pounds	.....	D3/228
D405,955 S *	2/1999	Russell	.....	D3/228
D445,249 S *	7/2001	Russell	.....	D3/228

**1 Claim, 8 Drawing Sheets**



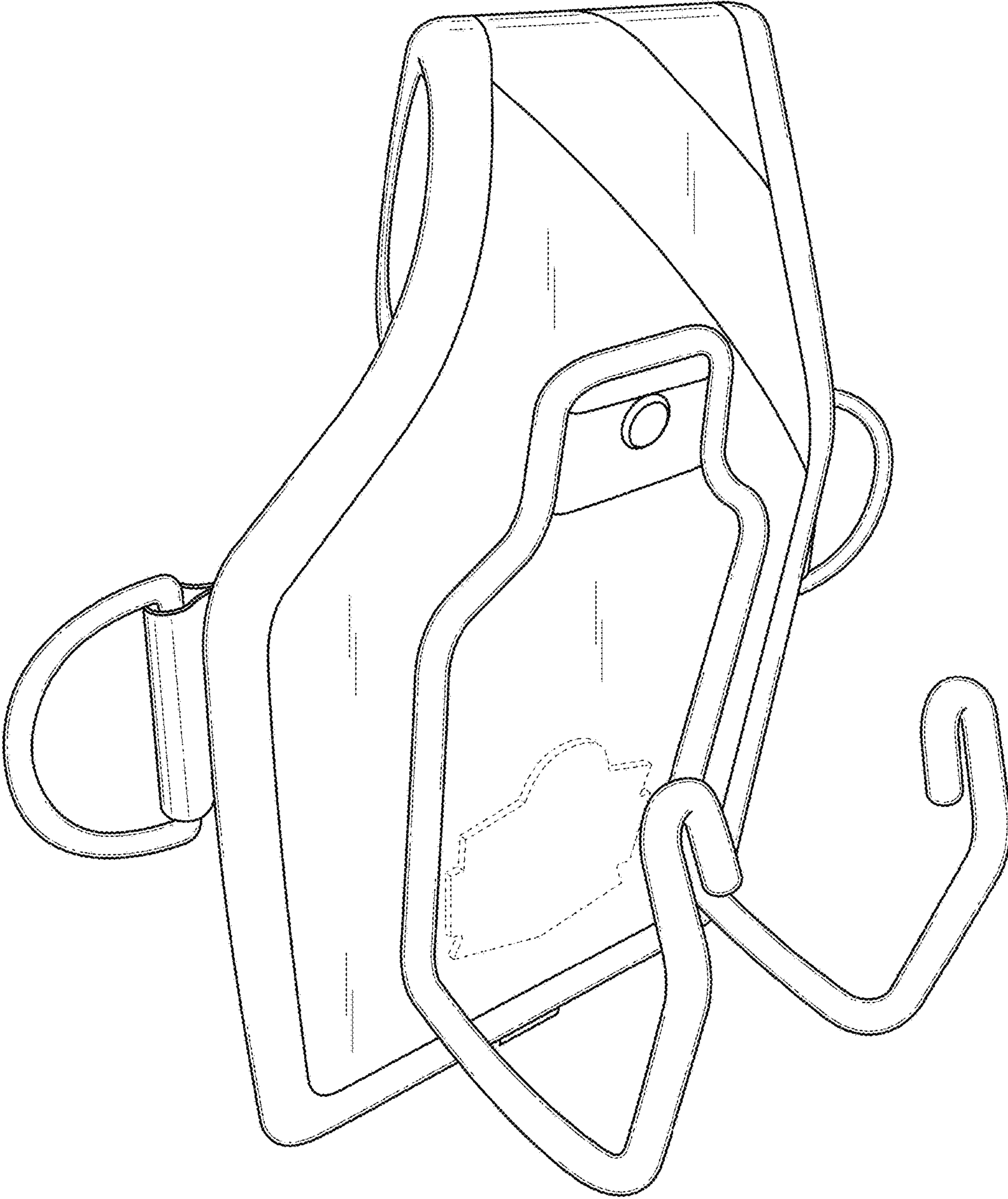


Fig. 1

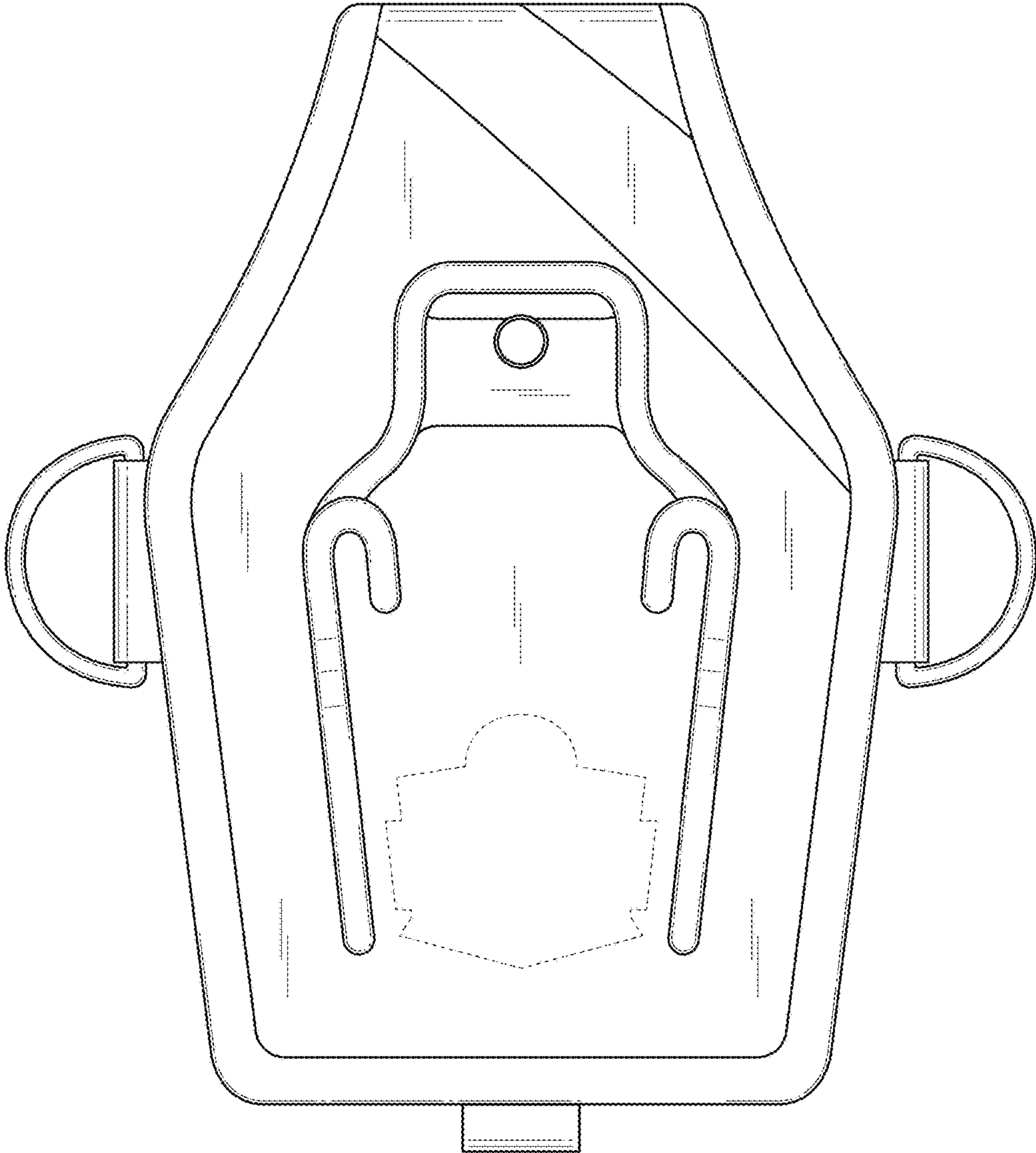


Fig. 2

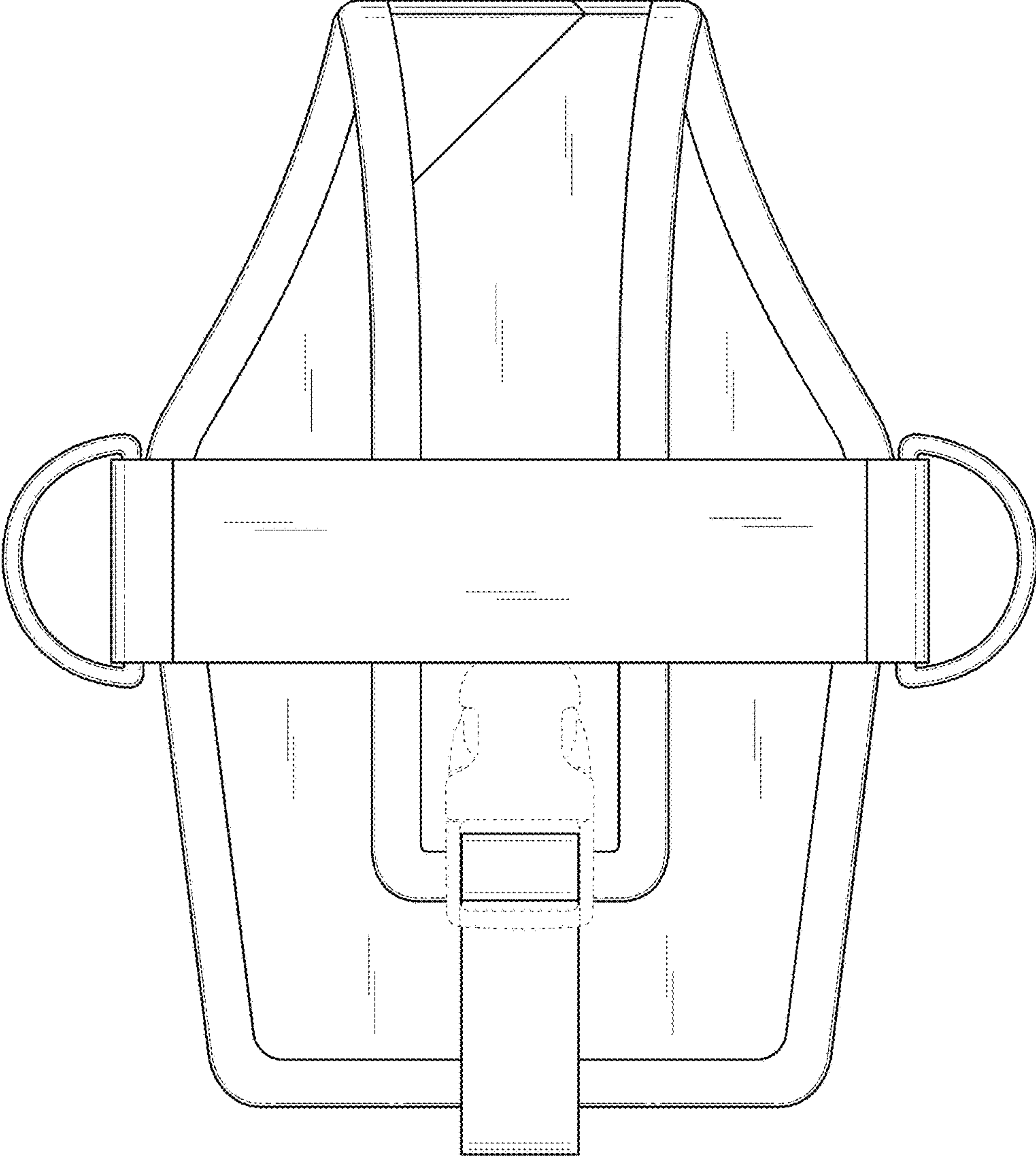


Fig. 3



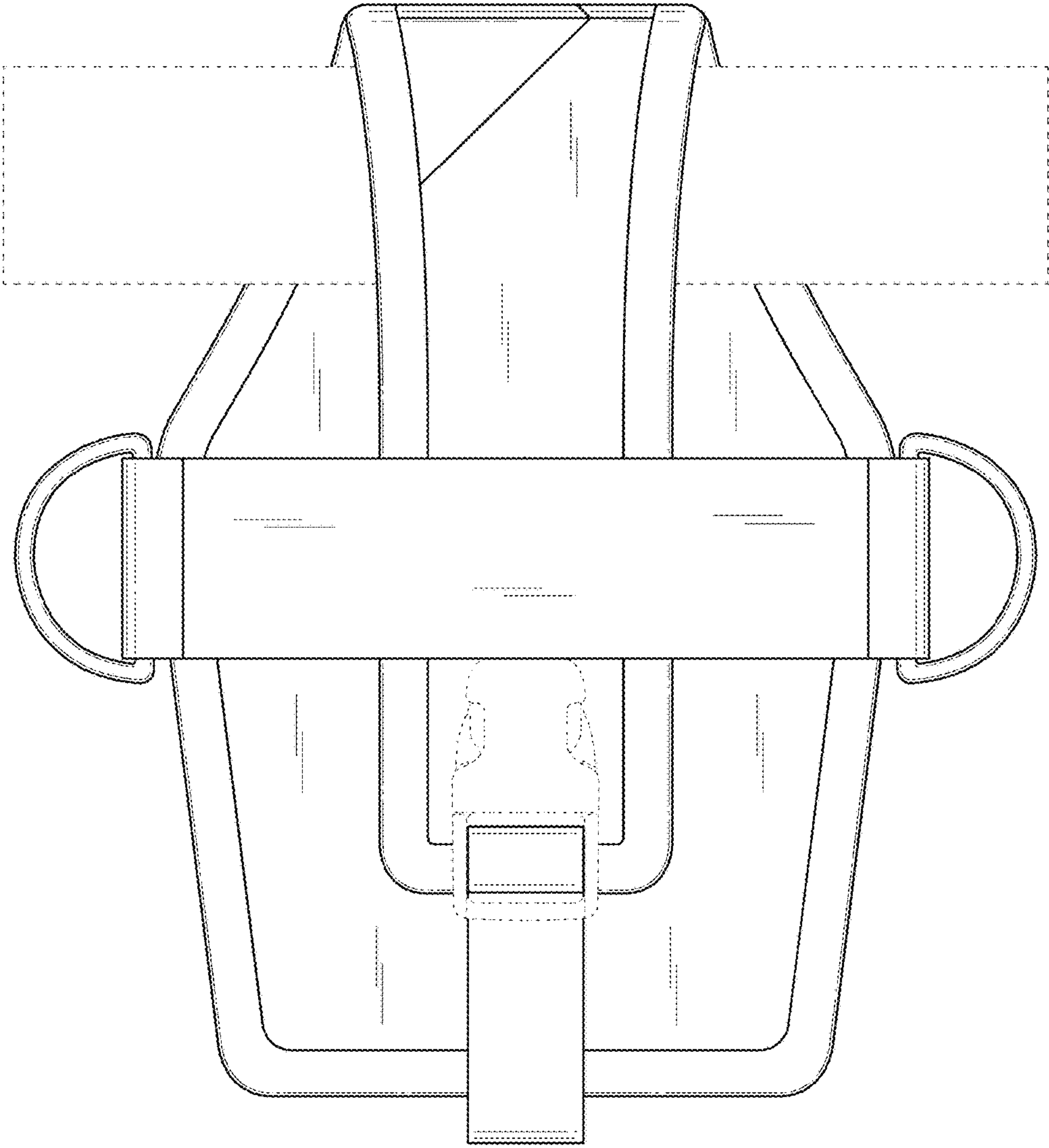


Fig. 4

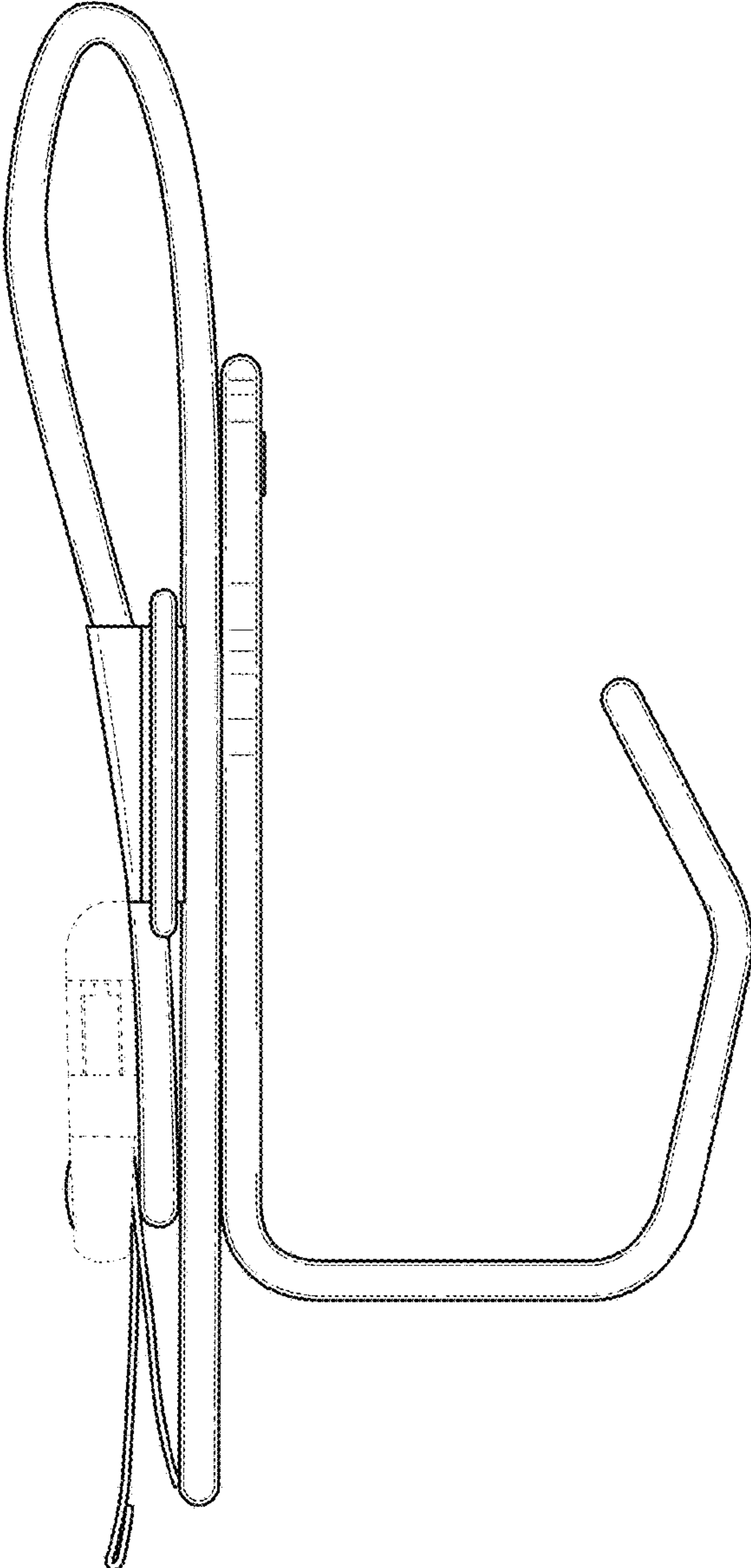


Fig. 5

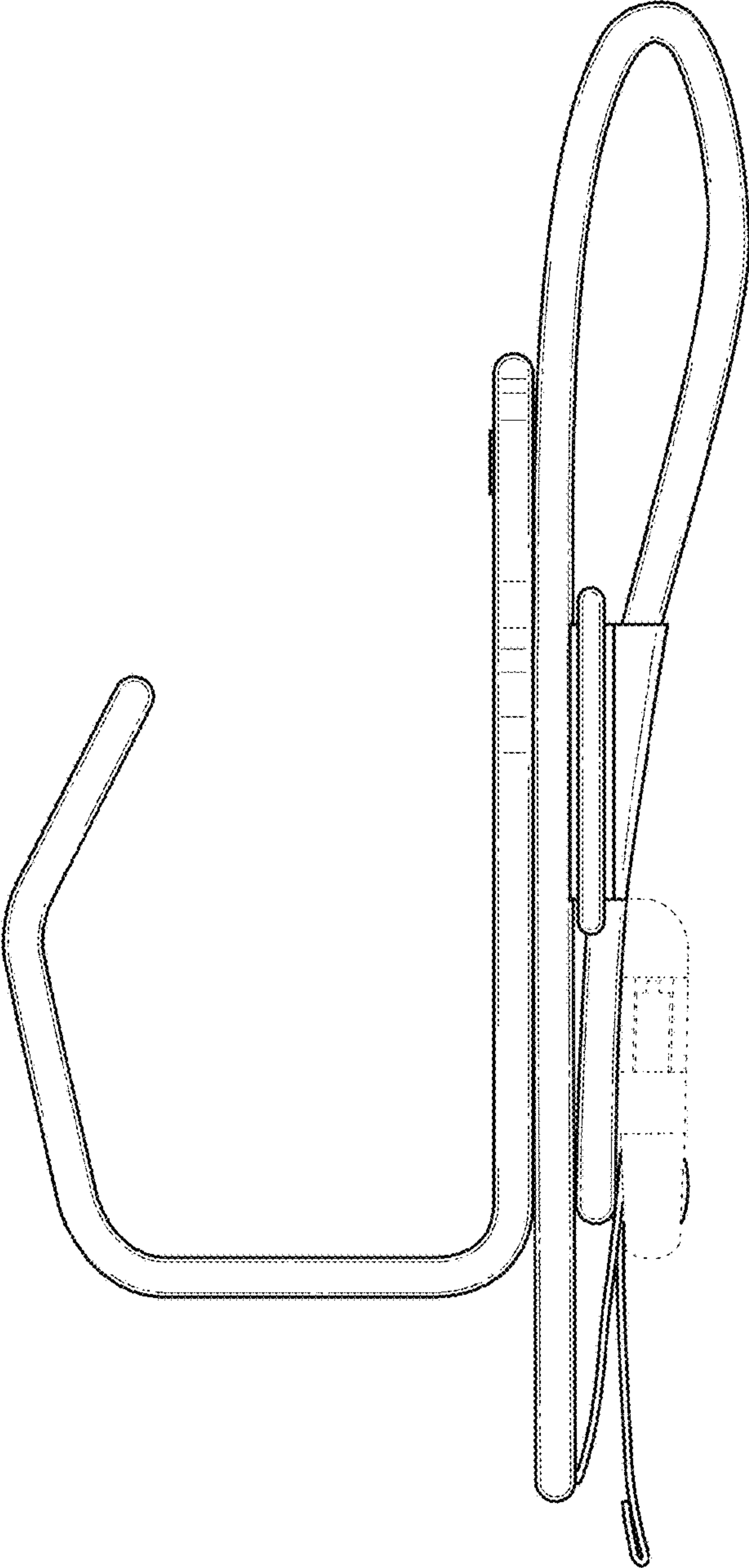


Fig. 6

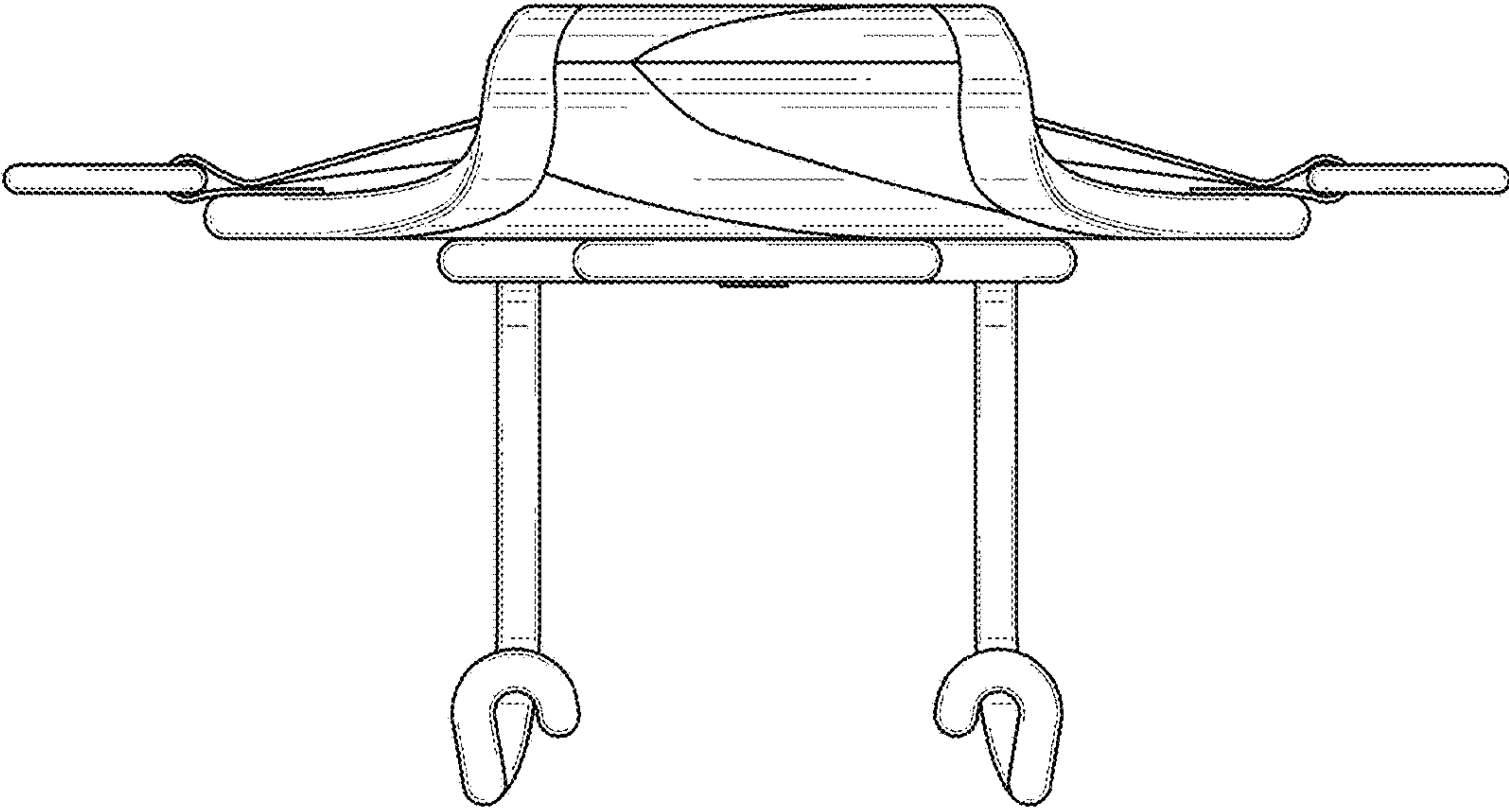


Fig. 7



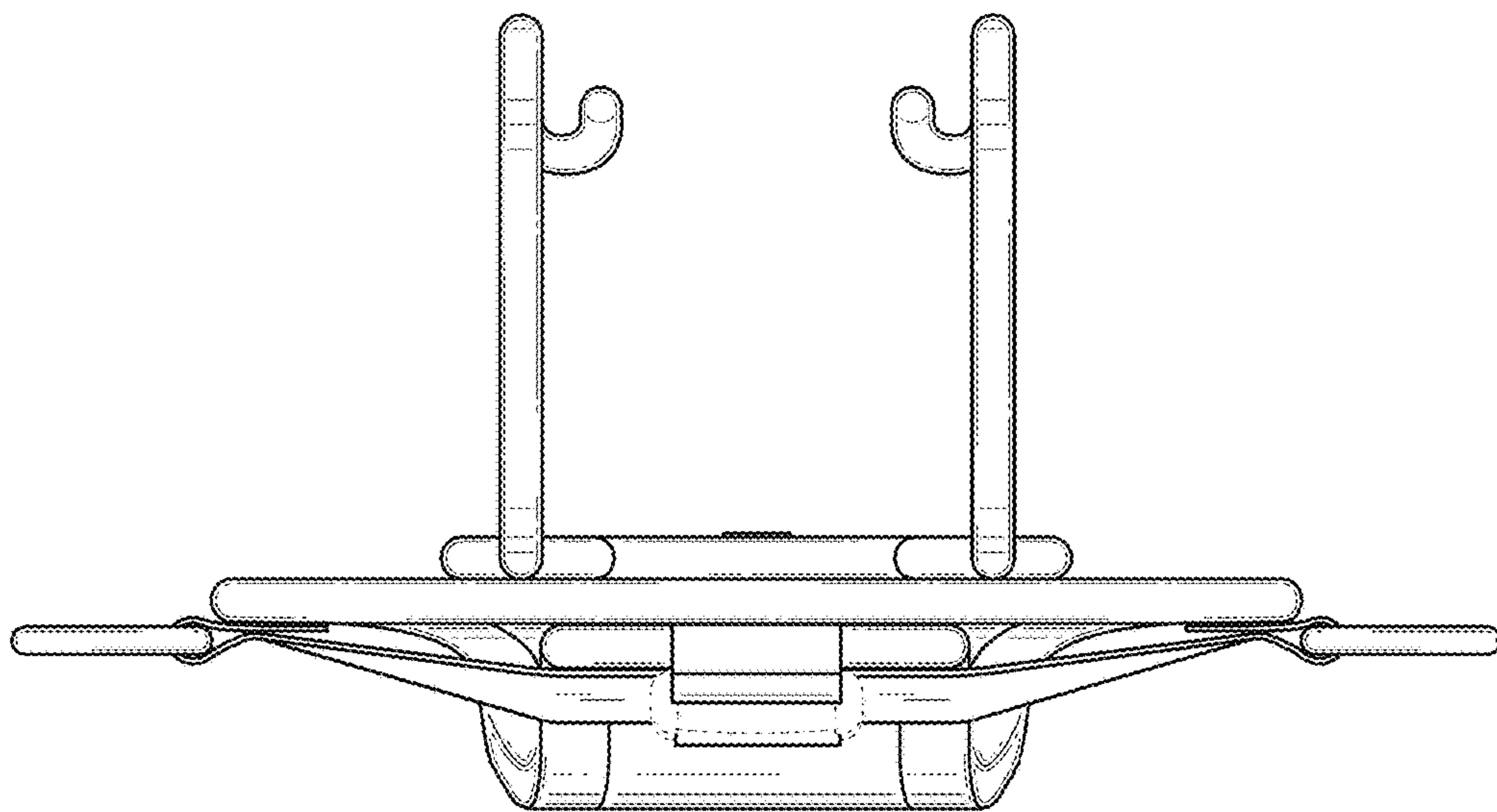


Fig. 8