

US00D809786S

(12) **United States Design Patent** (10) **Patent No.:** **US D809,786 S**  
**Dingel** (45) **Date of Patent:** **\*\* Feb. 13, 2018**

(54) **KNIFE AND SHEATH**

(71) Applicant: **Bryan Dingel**, Boise, ID (US)  
(72) Inventor: **Bryan Dingel**, Boise, ID (US)  
(73) Assignee: **Northwest River Supplies, Inc.**,  
Moscow, ID (US)

(\*\*) Term: **15 Years**

(21) Appl. No.: **29/585,026**

(22) Filed: **Nov. 18, 2016**

(51) **LOC (11) Cl.** ..... **03-01**

(52) **U.S. Cl.**  
USPC ..... **D3/220**

(58) **Field of Classification Search**

USPC ..... D3/220; D22/118; 7/156; 206/317;  
224/232, 242, 904; D8/34, 87, 104-105;  
30/151, 162, 335, 295, 298, 340  
CPC ..... B26B 29/025  
See application file for complete search history.

(56) **References Cited**

**U.S. PATENT DOCUMENTS**

D167,899 S \* 10/1952 Joannides ..... 7/156  
4,998,350 A \* 3/1991 Thompson ..... B26B 29/025  
224/232  
D317,037 S \* 5/1991 Koshiishi ..... D22/118  
D448,442 S \* 9/2001 Cheng ..... D22/118  
(Continued)

*Primary Examiner* — Catherine R Oliver-Garcia  
(74) *Attorney, Agent, or Firm* — Duncan Palmatier

(57) **CLAIM**

The ornamental design for a knife and sheath, as shown and described.

**DESCRIPTION**

FIG. 1 is a front perspective view of the knife and sheath design of the present invention with the sheath in place.

FIG. 2 is a front perspective view of the knife and sheath design of the present invention with the knife removed from the sheath.

FIG. 3 is a top view of the knife and sheath design of the present invention with the sheath in place.

FIG. 4 is a top view of the knife design of the present invention with the knife removed from the sheath.

FIG. 5 is a bottom view of the knife and sheath design of the present invention with the sheath in place.

FIG. 6 is a bottom view of the knife design of the present invention with the knife removed from the sheath.

FIG. 7 is a right side view of the knife and sheath design of the present invention with the sheath in place.

FIG. 8 is a right side view of the knife design of the present invention with the knife removed from the sheath.

FIG. 9 is a left side view of the knife and sheath design of the present invention with the sheath in place.

FIG. 10 is a left side view of the knife design of the present invention with the knife removed from the sheath.

FIG. 11 is a front view of the knife and sheath design of the present invention. The circled area indicated (15) is enlarged in FIG. 15 to show detail of the design of the present invention.

FIG. 12 is a rear view of the knife and sheath design of the present invention with the sheath in place.

FIG. 13 is a front view of the knife design of the present invention with the knife removed from the sheath. The circled area indicated (16) is enlarged in FIG. 16 to show detail of the design of the present invention.

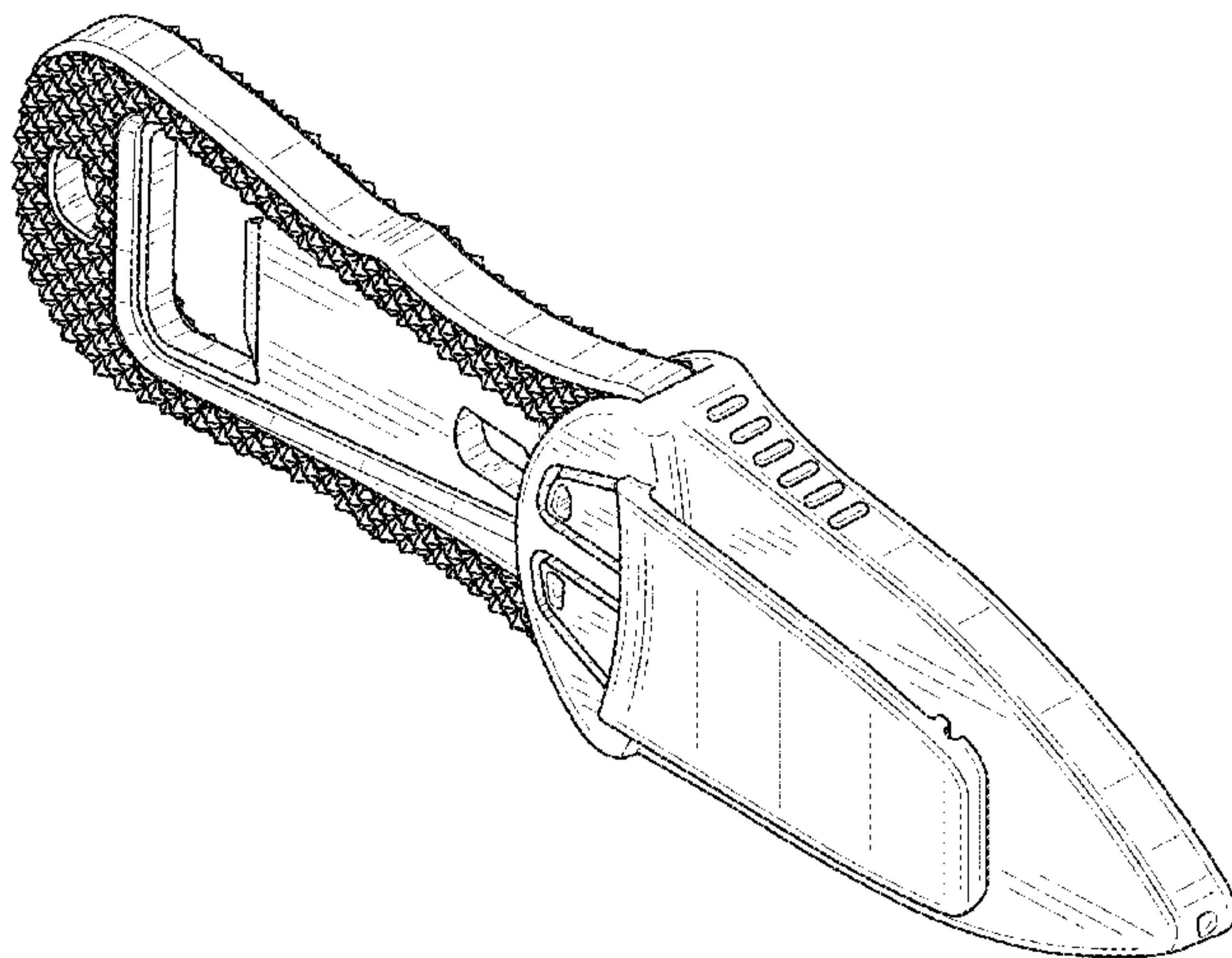
FIG. 14 is a rear view of the sheath design of the present invention.

FIG. 15 is an enlarged view of the circled area indicated (15) from FIG. 11, showing detail of the sheath design of the present invention; and,

FIG. 16 is an enlarged view of the circled area indicated (16) from FIG. 13, showing detail of the knife design of the present invention.

The portions shown by broken lines are for illustrative purposes only and form no part of the claimed design.

**1 Claim, 16 Drawing Sheets**



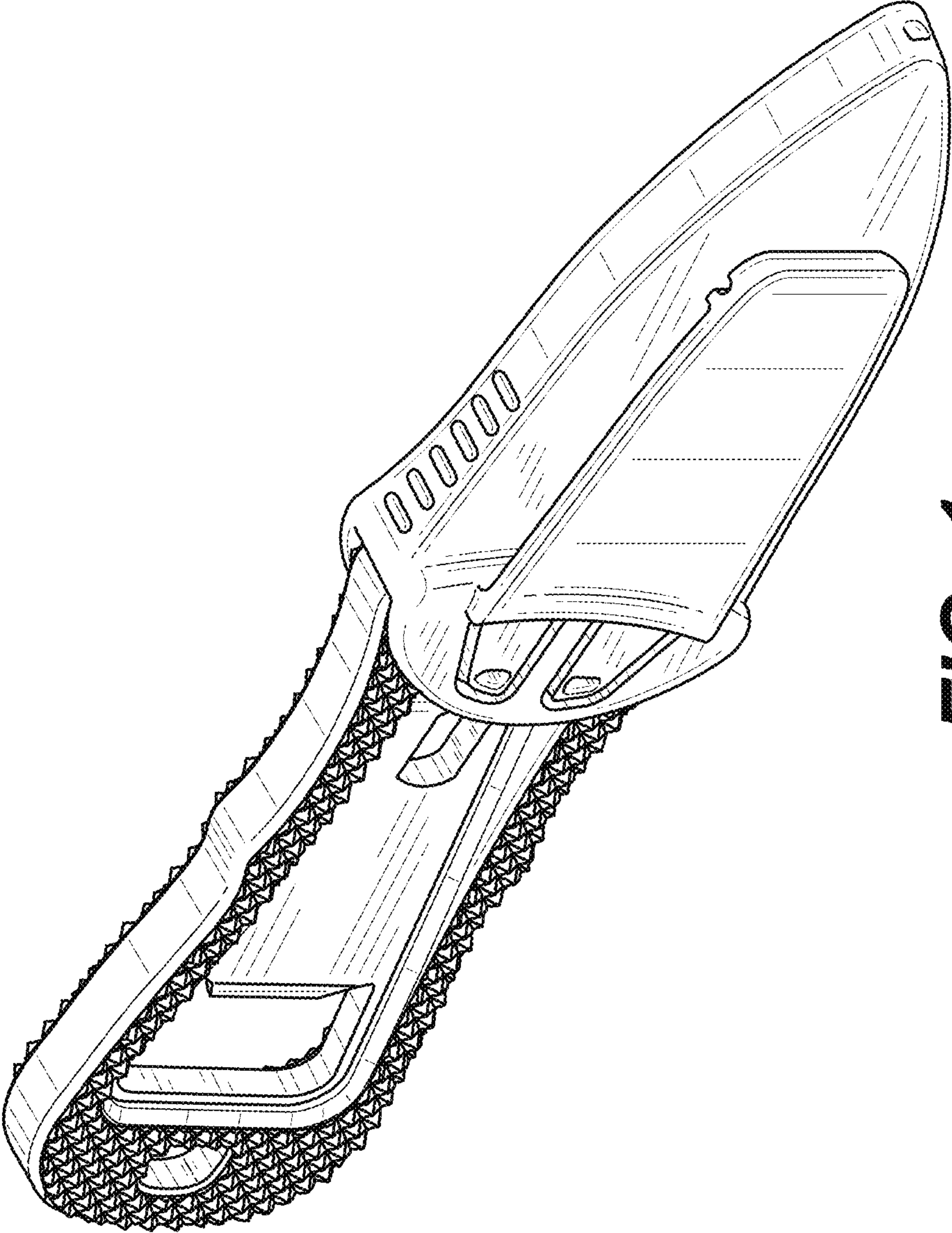
(56)

**References Cited**

U.S. PATENT DOCUMENTS

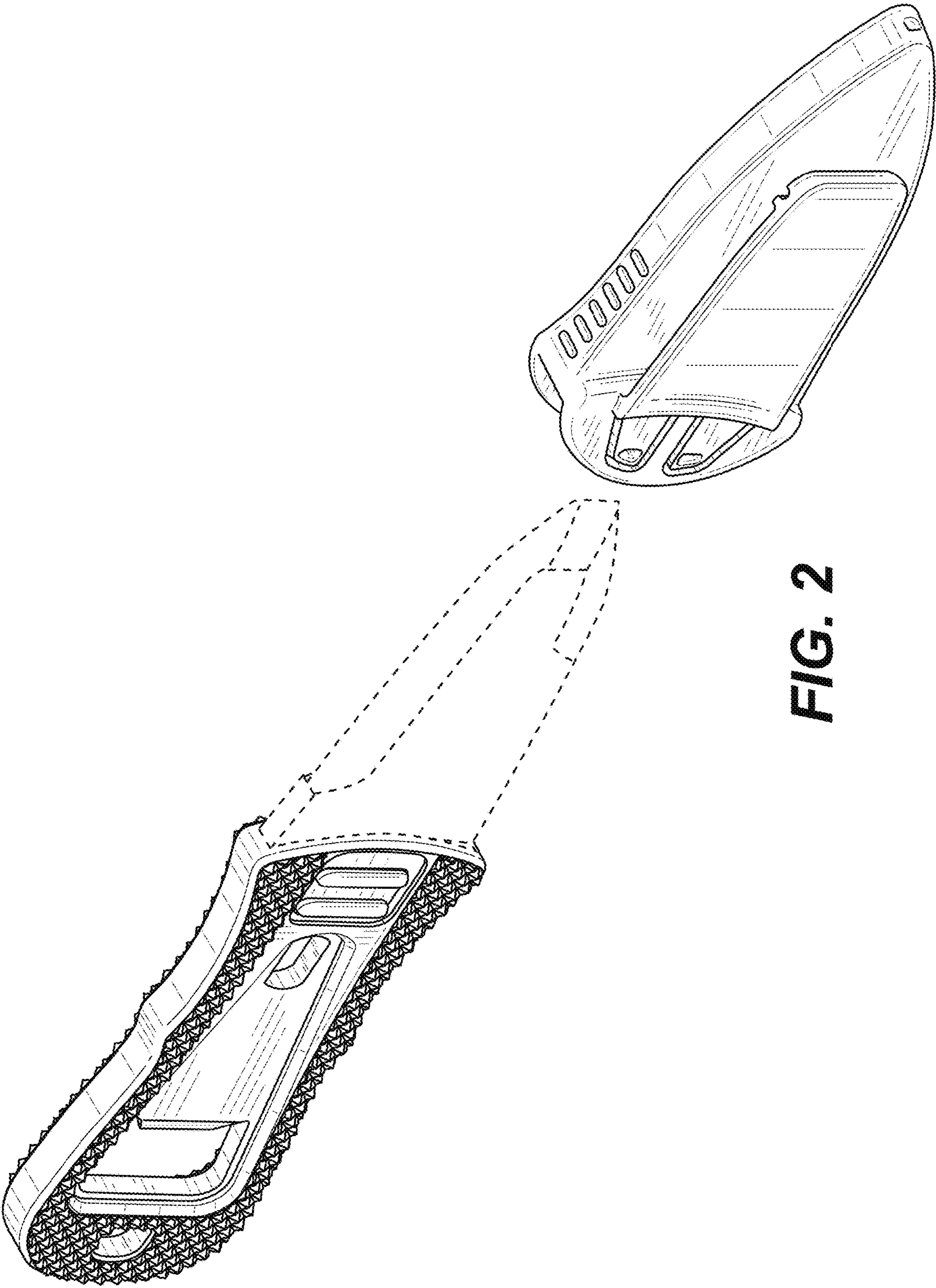
D465,542 S \* 11/2002 Bloch ..... D22/118  
D527,241 S \* 8/2006 Davis ..... D3/220

\* cited by examiner

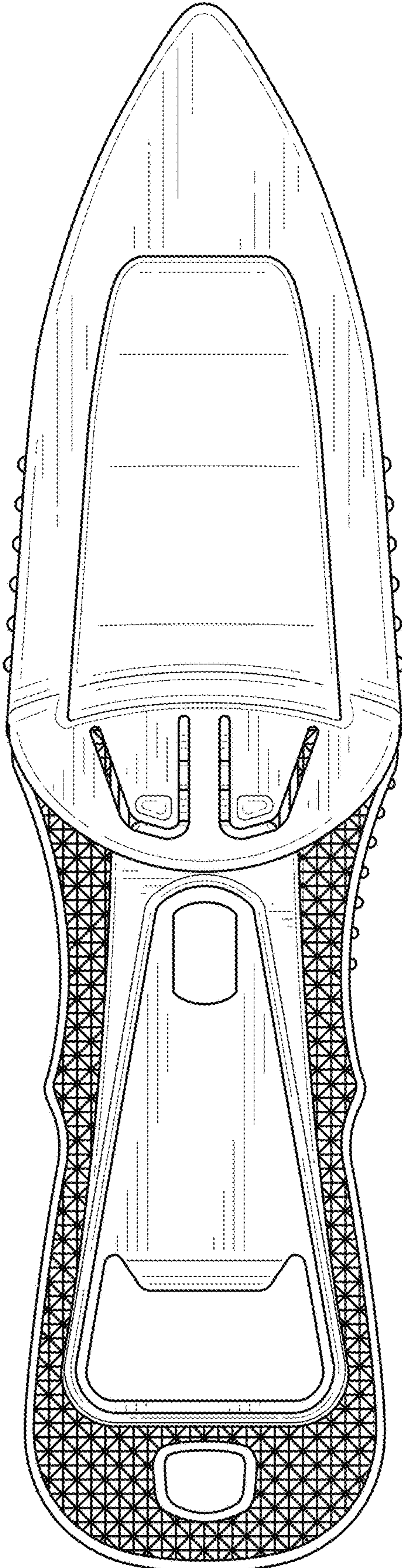


**FIG. 1**

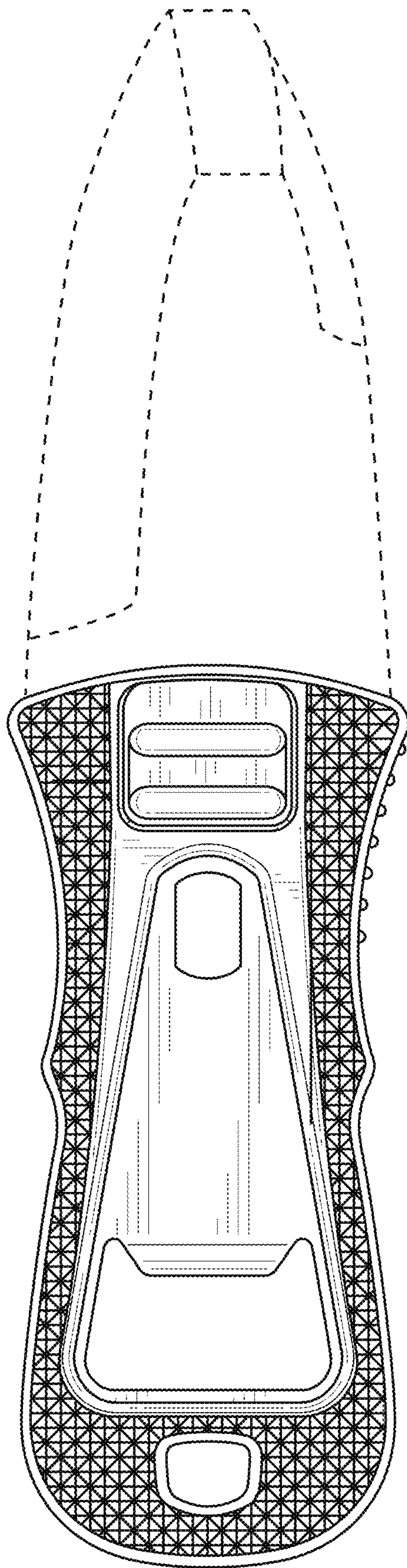




**FIG. 2**

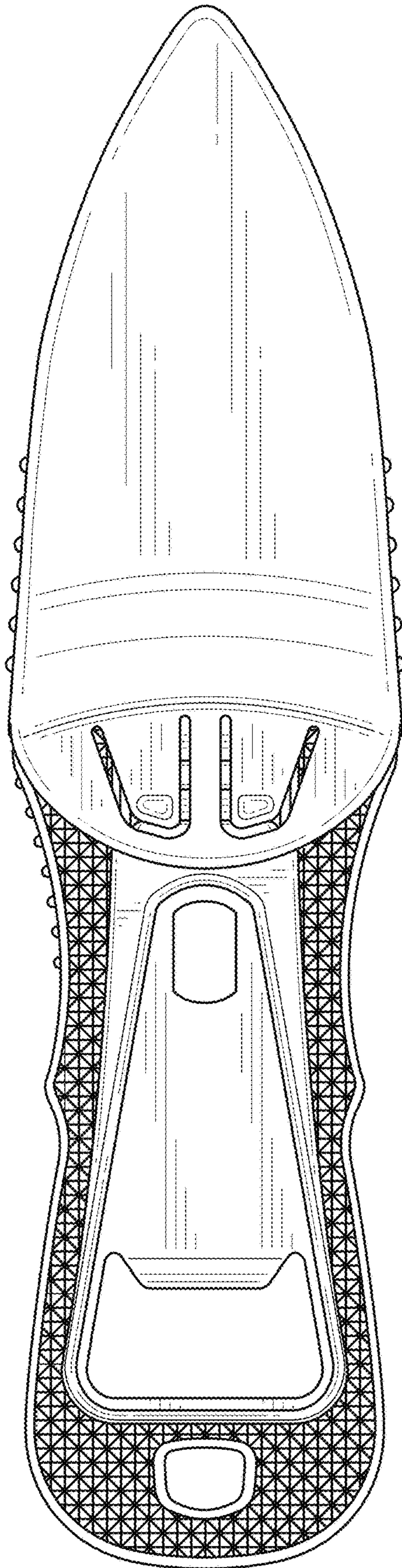


**FIG. 3**

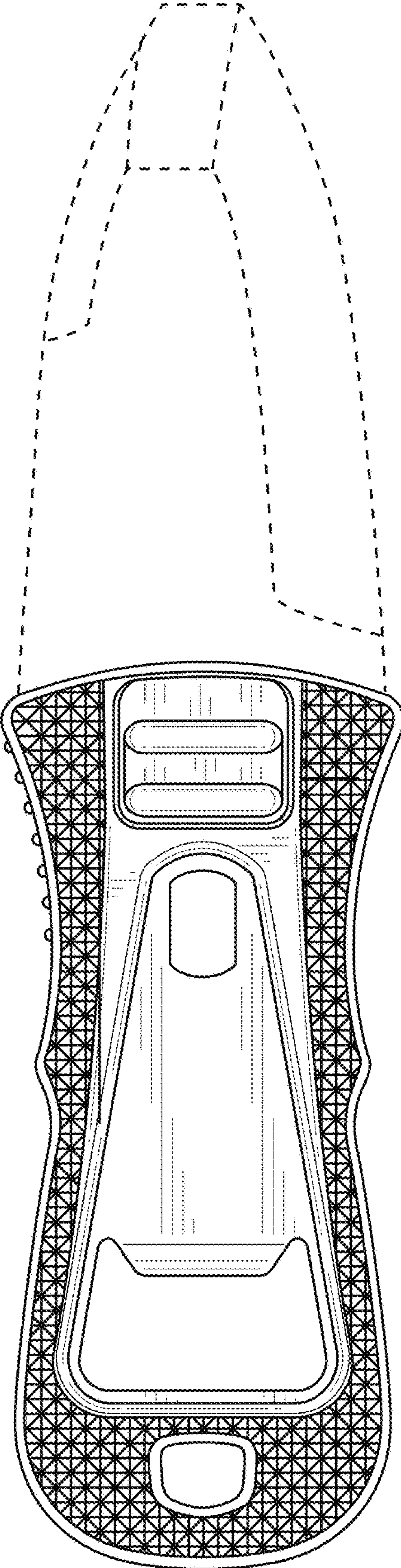


**FIG. 4**



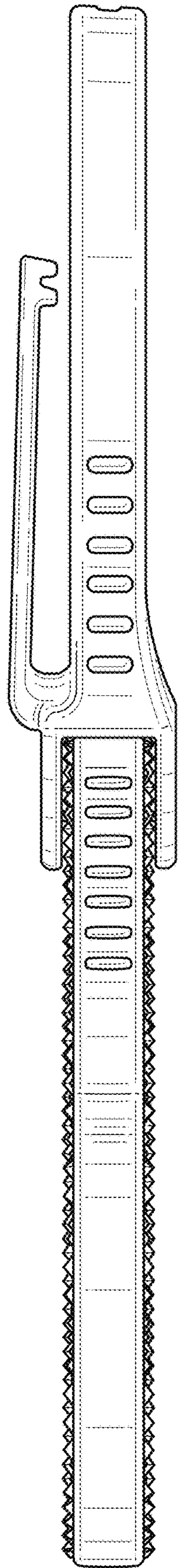


**FIG. 5**

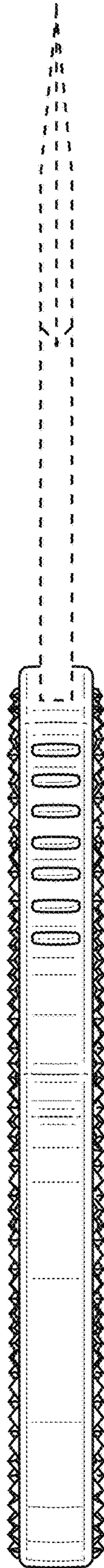


**FIG. 6**

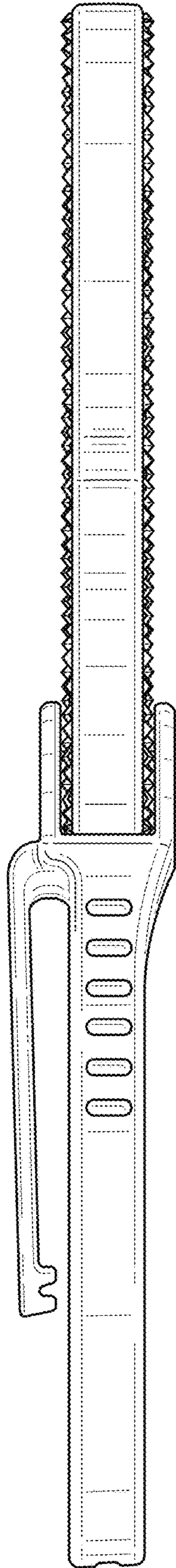




**FIG. 7**

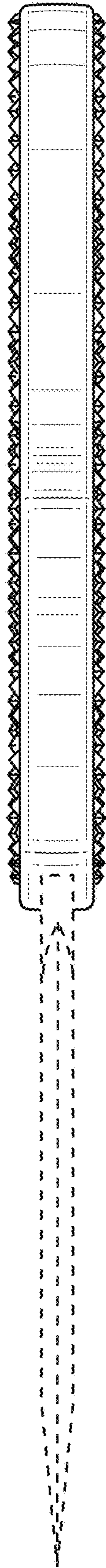


**FIG. 8**

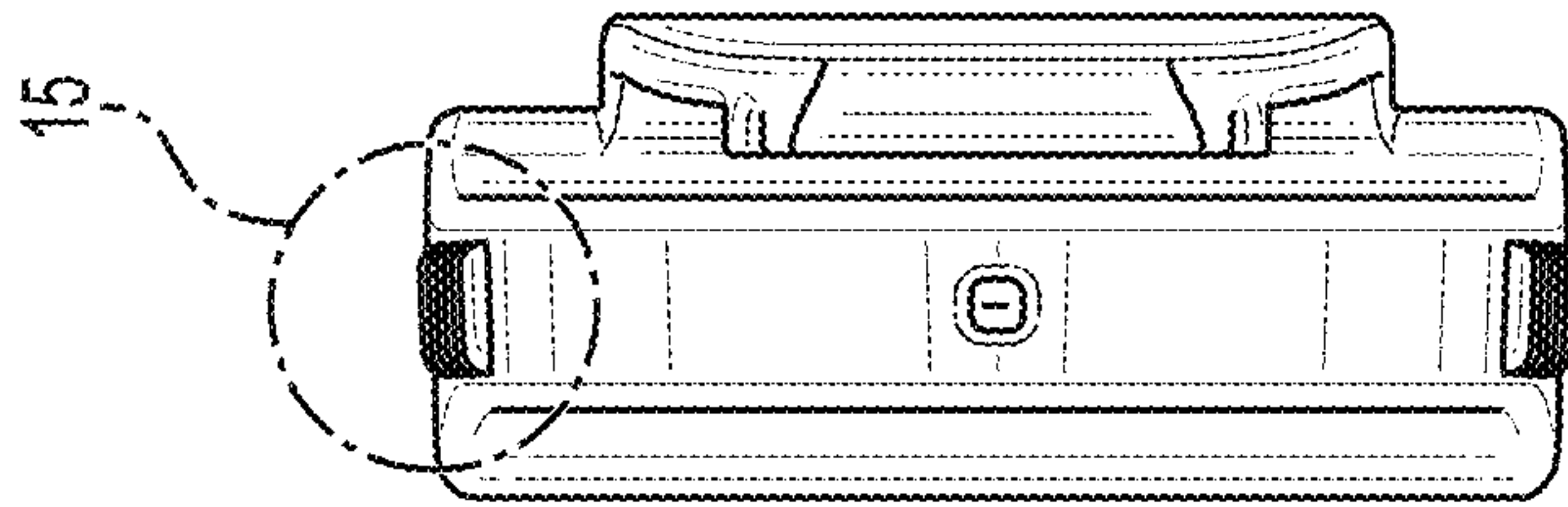


**FIG. 9**

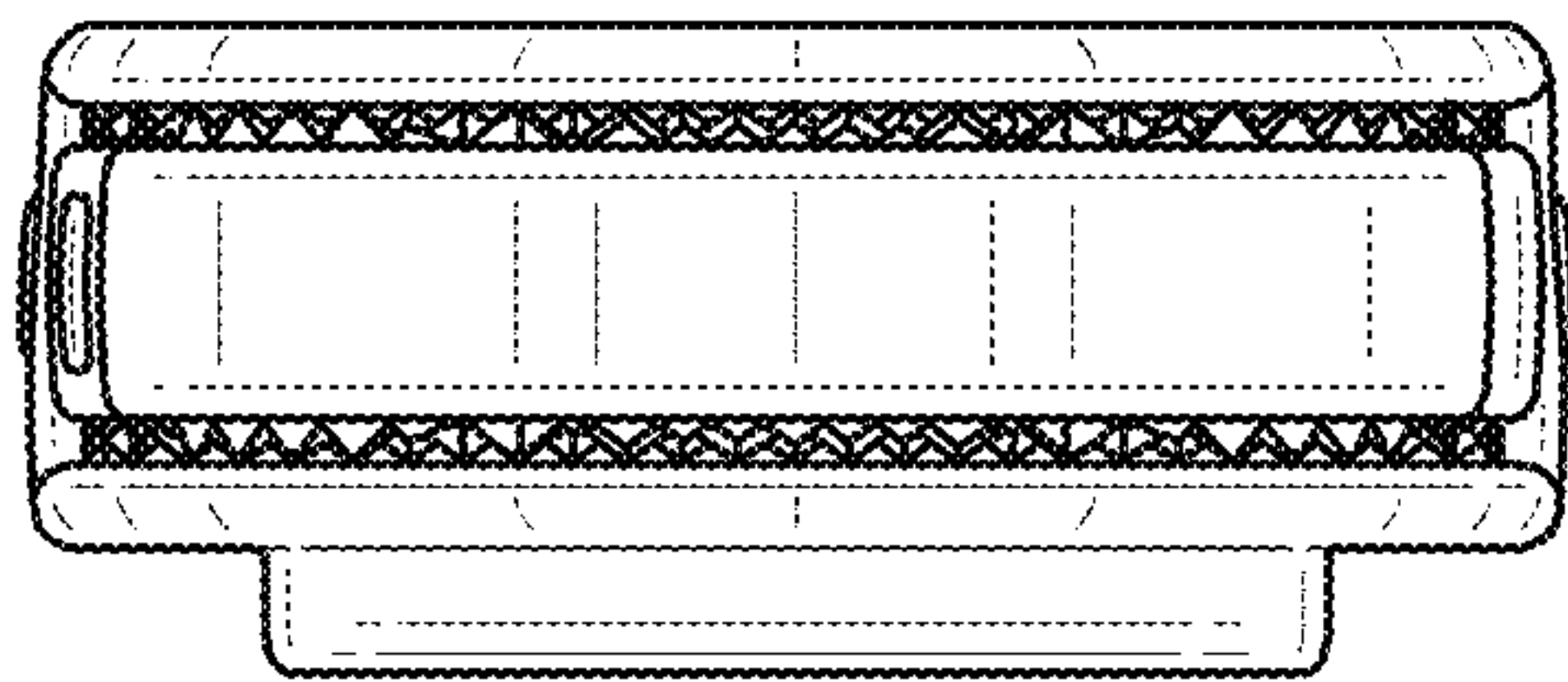




**FIG. 10**

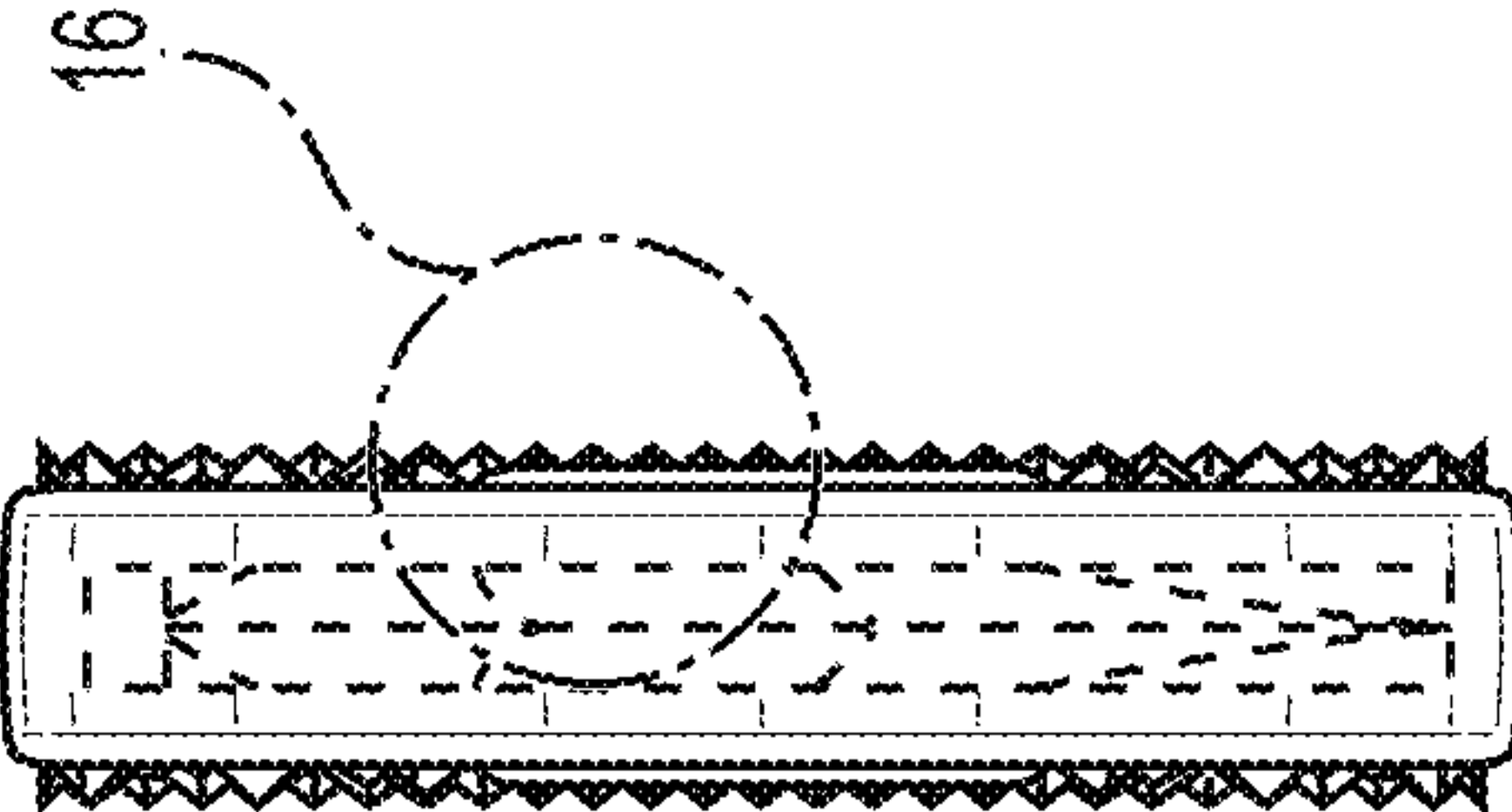


**FIG. 11**

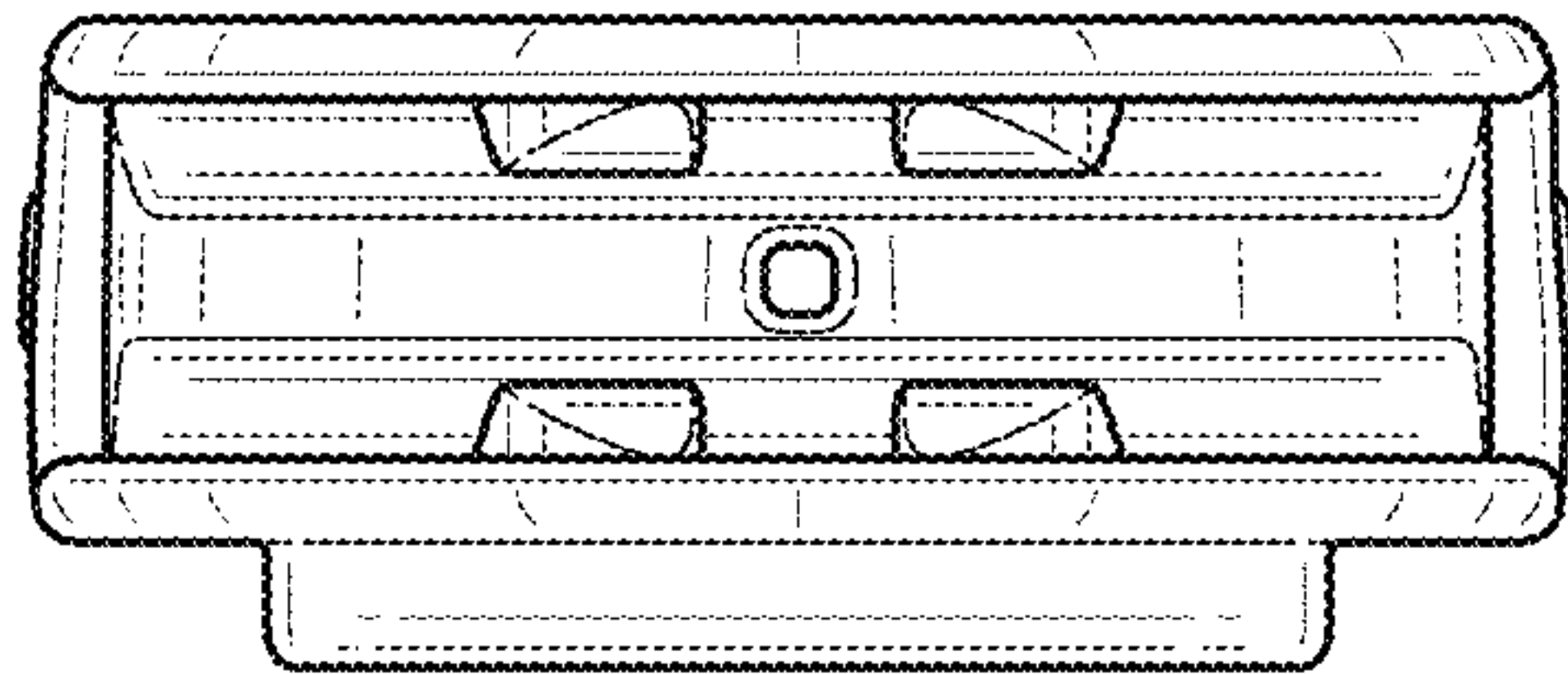


**FIG. 12**

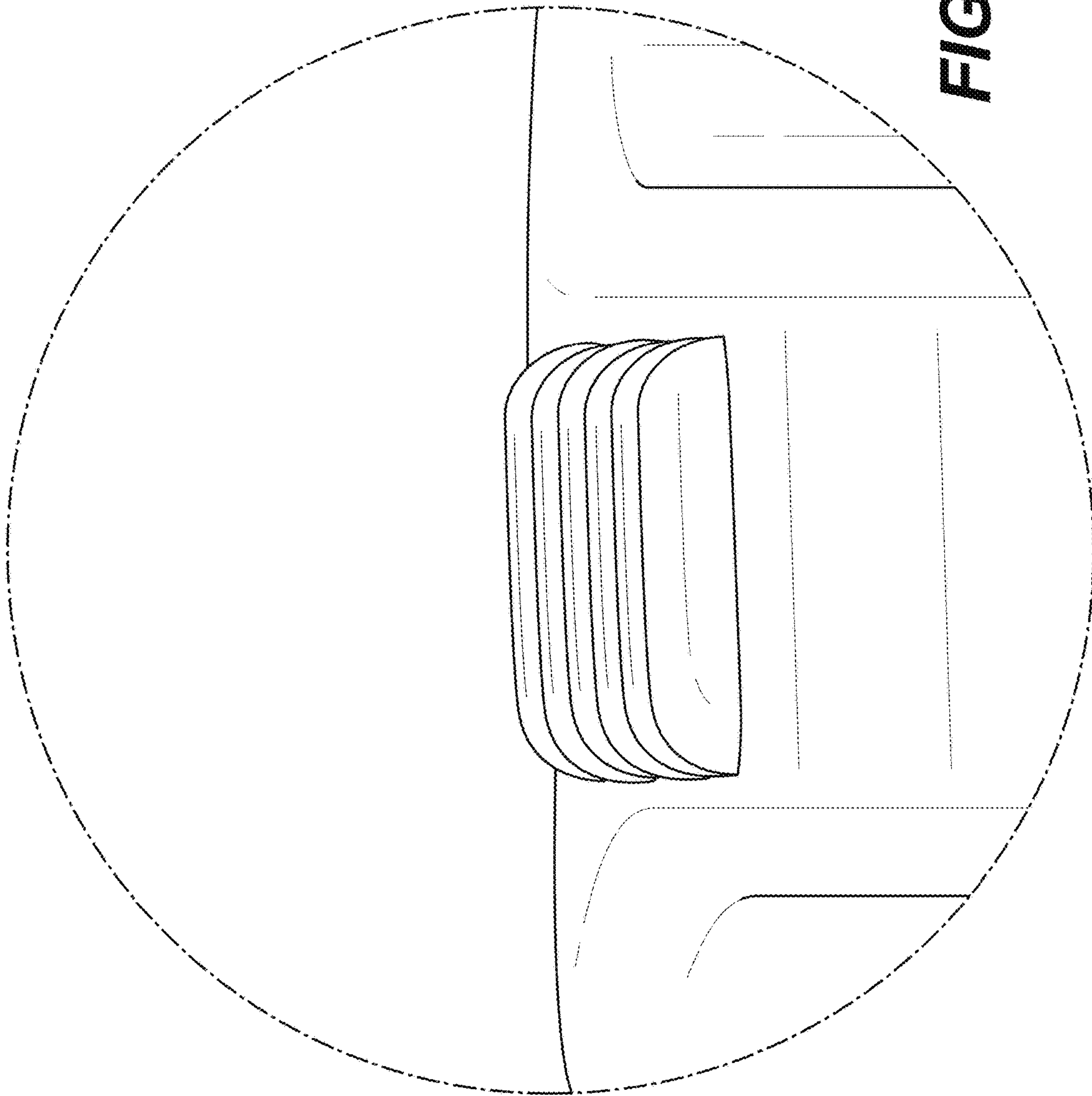




**FIG. 13**



**FIG. 14**



**FIG. 15**



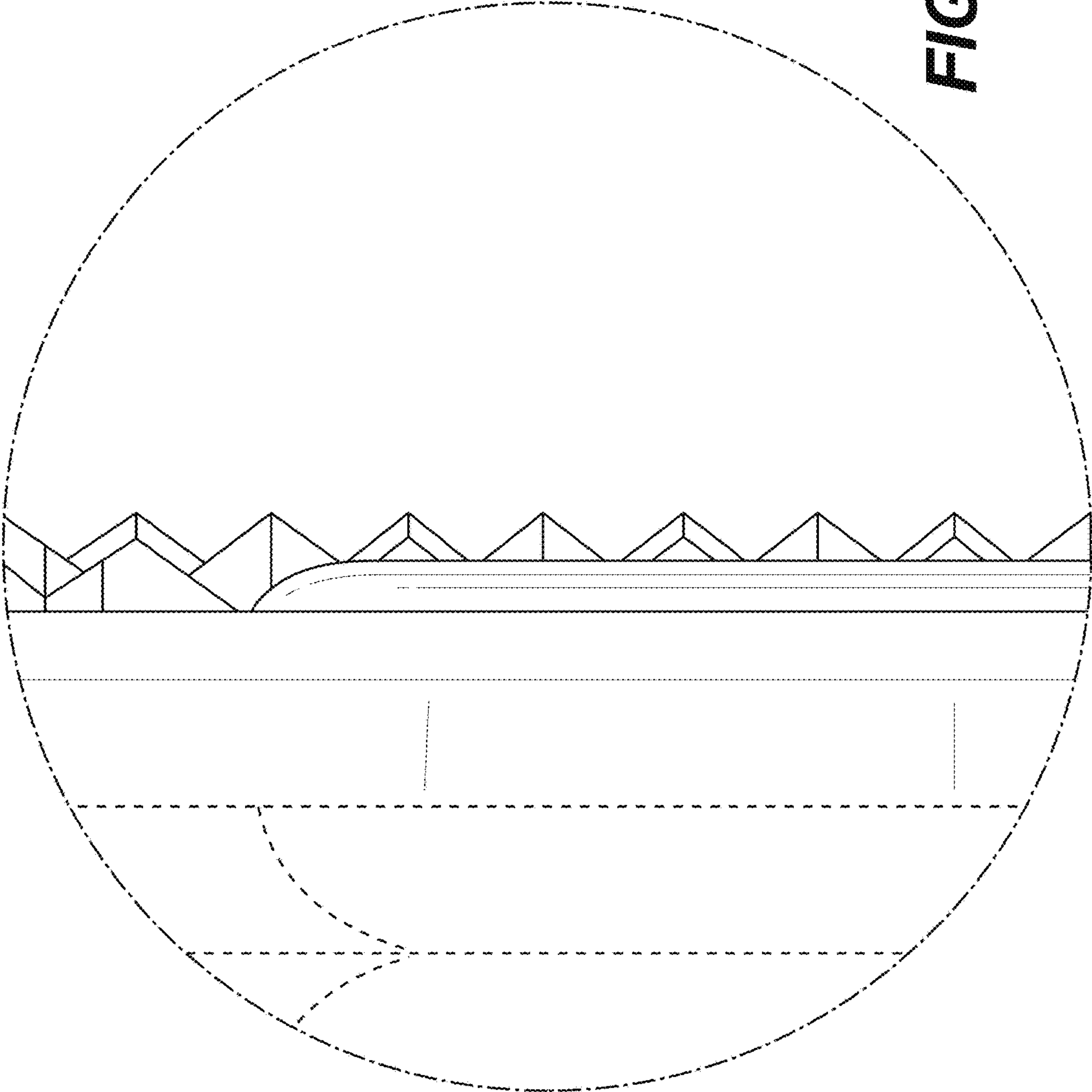


FIG. 16