



US00D809782S

(12) **United States Design Patent** (10) **Patent No.:** **US D809,782 S**
von Badinski et al. (45) **Date of Patent:** **** Feb. 13, 2018**

(54) **KEY HOLDER**

(71) Applicant: **Motiv Inc.**, San Francisco, CA (US)

(72) Inventors: **Curt C. von Badinski**, Valencia, CA (US); **Michael J. Strasser**, San Francisco, CA (US); **Zachary Joseph Zelif**, Taipei (TW); **Ting-Che Huang**, Taipei (TW)

(73) Assignee: **Motiv Inc.**, San Francisco, CA (US)

(**) Term: **15 Years**

(21) Appl. No.: **29/575,004**

(22) Filed: **Aug. 21, 2016**

(51) **LOC (11) Cl.** **03-01**

(52) **U.S. Cl.**
USPC **D3/208; D14/480.1**

(58) **Field of Classification Search**
USPC D11/1-2, 14, 26-29, 89-92, 44, 48, 81, D11/99; 63/26-28, 32; D3/207-212; D8/16, 38, 347, 348, 33, 34; 70/456 B, 70/457, 458, 456 R; 206/37.1, 37; D14/434, 435, 435.1, 436, 439, 480.3, D14/480.1, 480.5, 480.7; D24/174, 173, D24/480.3; 361/679.32
CPC A45C 11/32; A47G 29/10; A44B 15/00; G06F 1/16

See application file for complete search history.

(56) **References Cited**

U.S. PATENT DOCUMENTS

D366,229 S * 1/1996 Barnett D3/208
D372,707 S * 8/1996 Grewe D14/435
D397,866 S * 9/1998 Hartmann D3/212
D513,005 S * 12/2005 Kobayakawa D14/480.1

D525,778 S * 8/2006 Jaricot D3/208
D539,105 S * 3/2007 Bennett D8/18
D542,025 S * 5/2007 Vincent D3/208
D556,198 S * 11/2007 Blankenship D14/480.5
D656,146 S * 3/2012 Schlosstein D14/480.5
D656,148 S * 3/2012 Schlosstein D14/480.6
D662,941 S * 7/2012 Emami D14/480.3
D706,278 S * 6/2014 Fukuoka D14/480.5
D709,513 S * 7/2014 Huang D14/480.3
D724,601 S * 3/2015 Hsieh D14/480.3
D754,138 S * 4/2016 Otsuka D14/480.1
9,512,641 B2 * 12/2016 Delande E05B 19/043
2012/0087079 A1 * 4/2012 Ting G06K 19/07732
361/679.32

* cited by examiner

Primary Examiner — Ralf T Seifert

(74) *Attorney, Agent, or Firm* — Winston Hsu

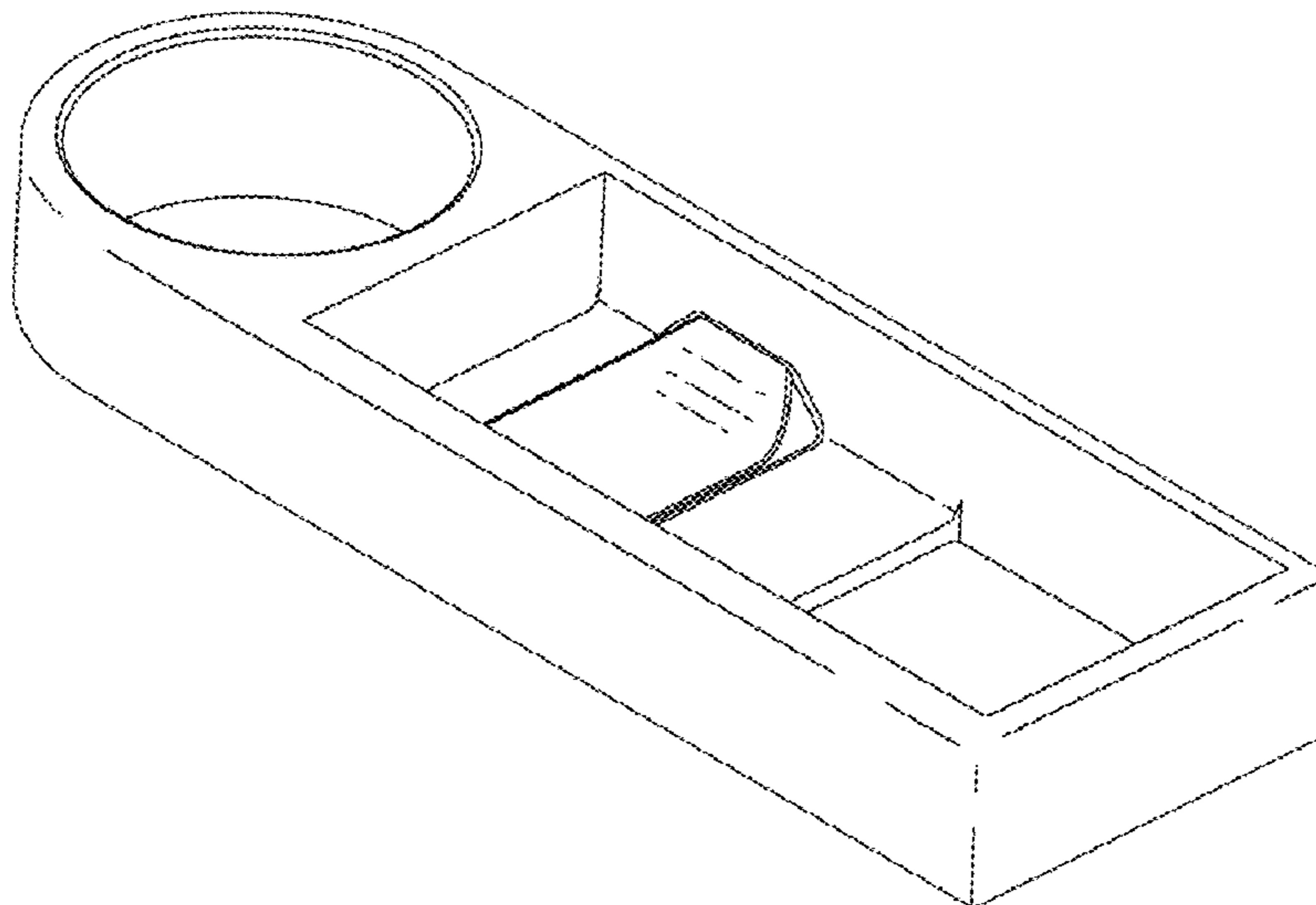
(57) **CLAIM**

The ornamental design for a key holder, as shown and described.

DESCRIPTION

FIG. 1 is a front, left, bottom perspective view of a key holder showing our new design;
FIG. 2 is a front view thereof;
FIG. 3 is a rear view thereof;
FIG. 4 is a left side view thereof;
FIG. 5 is a right side view thereof;
FIG. 6 is a top view thereof;
FIG. 7 is a bottom view thereof;
FIG. 8 is a front, left, bottom perspective view of the key holder with a USB charger; and,
FIG. 9 is a rear view of the key holder with a USB charger. The broken lines showing of the USB charger in FIGS. 8 and 9 is included for the purpose of illustration only and form no part of the claimed design.

1 Claim, 8 Drawing Sheets



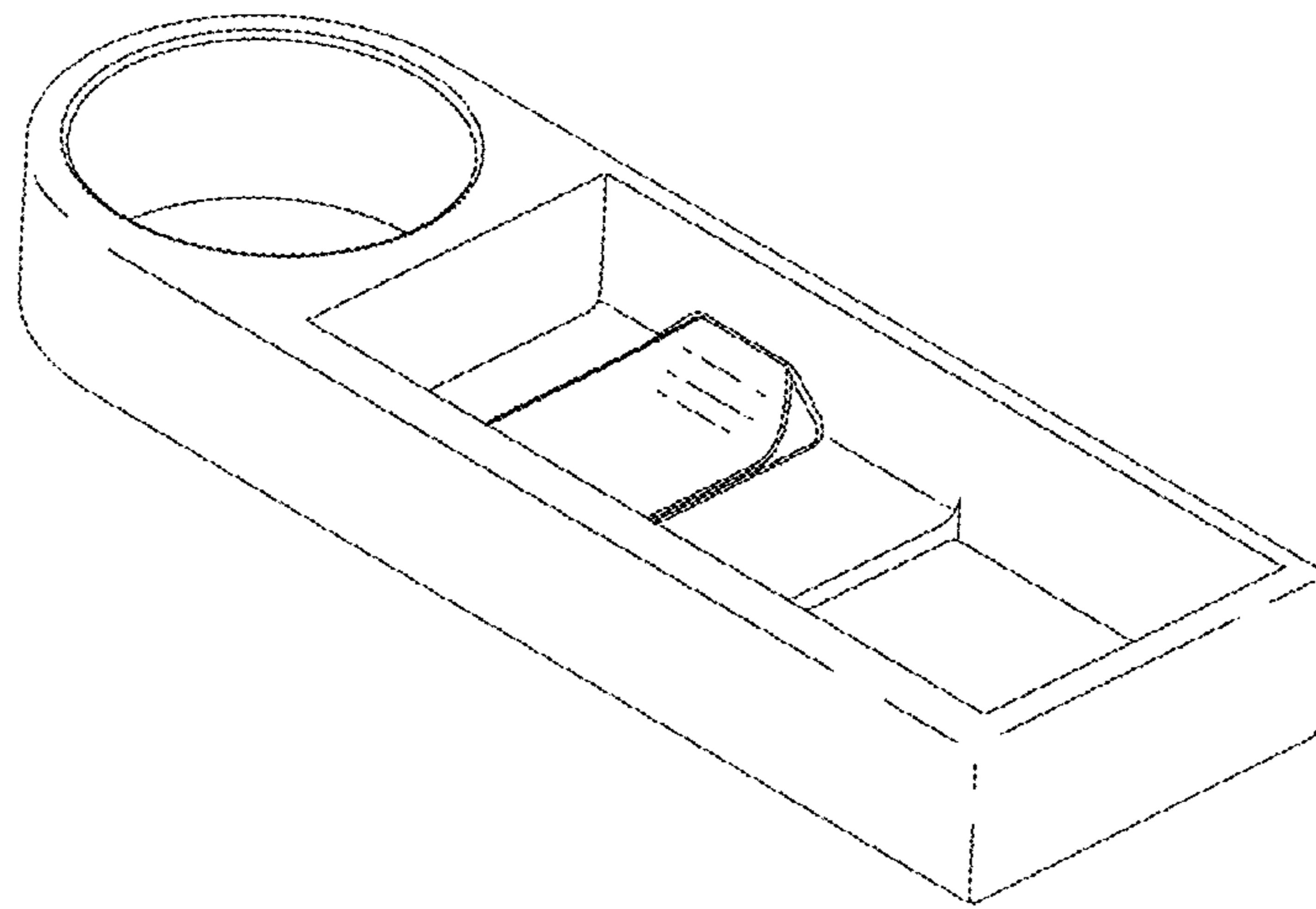


FIG. 1

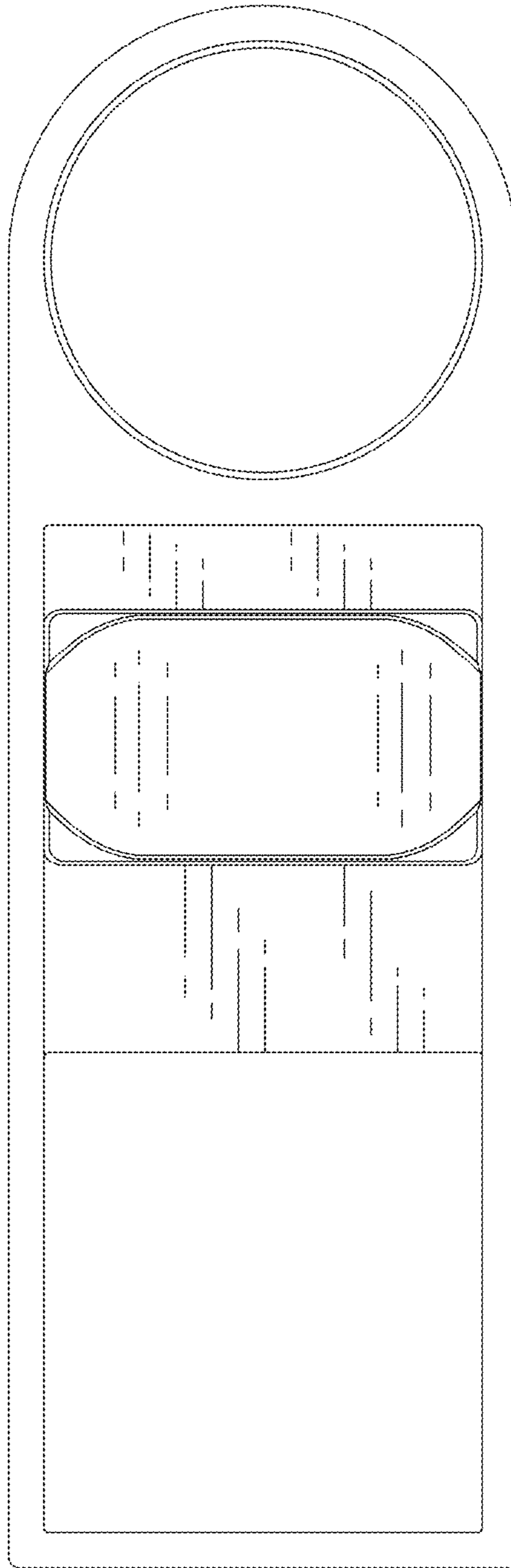


FIG. 2

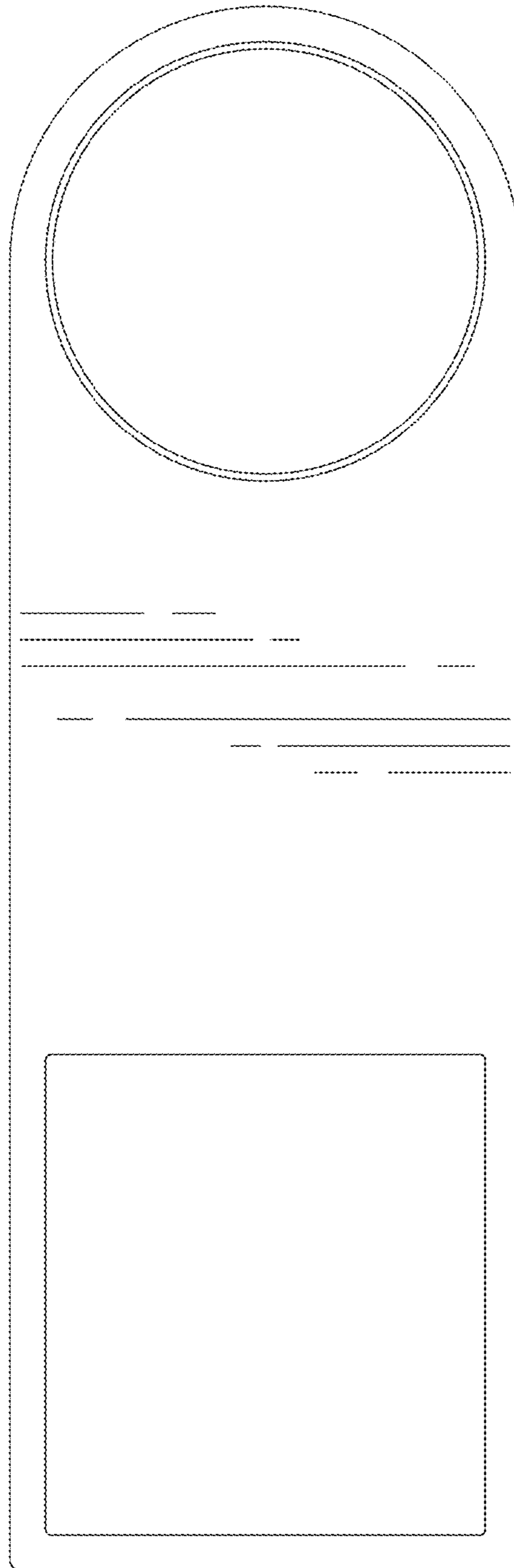


FIG. 3

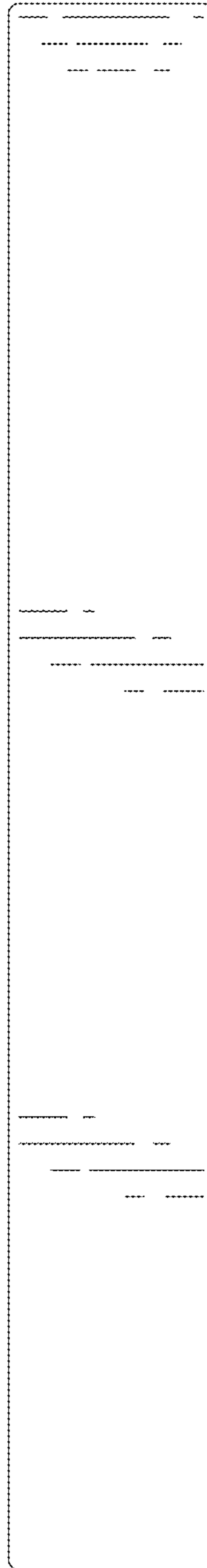


FIG. 4

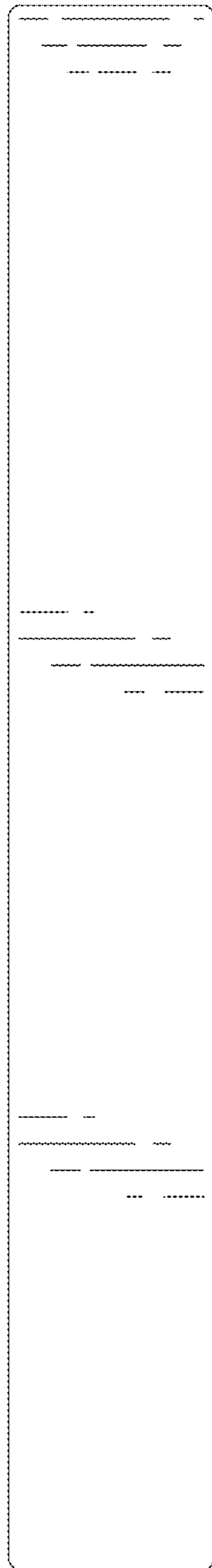


FIG. 5



FIG. 6

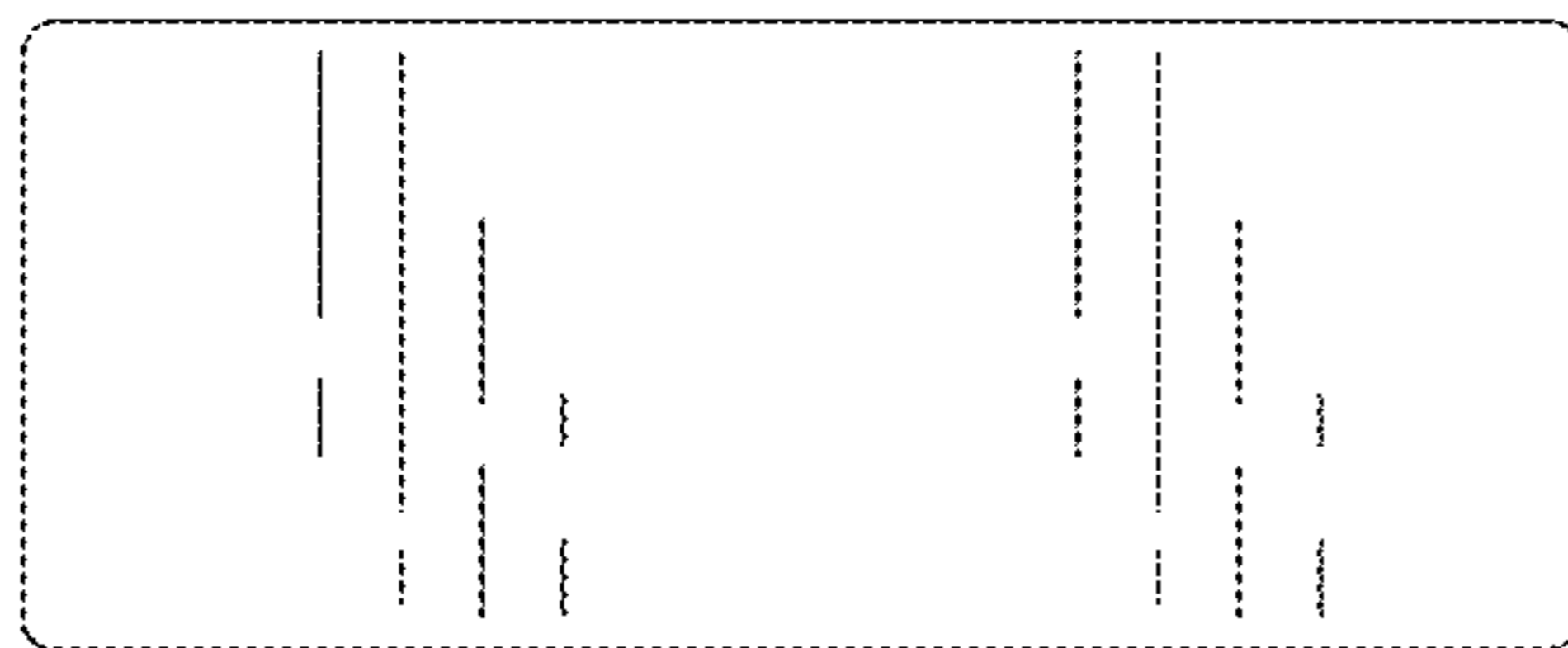


FIG. 7

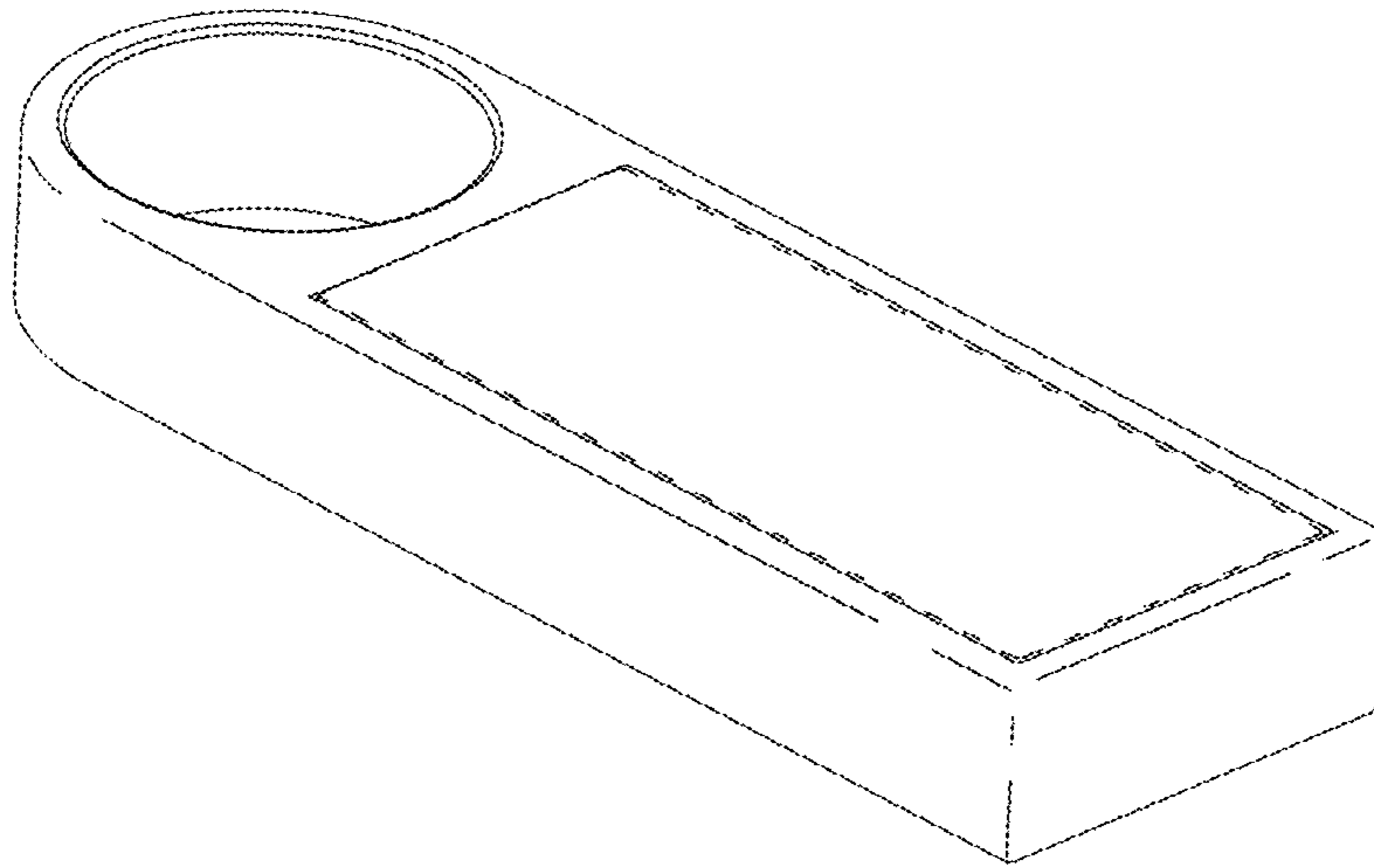


FIG. 8

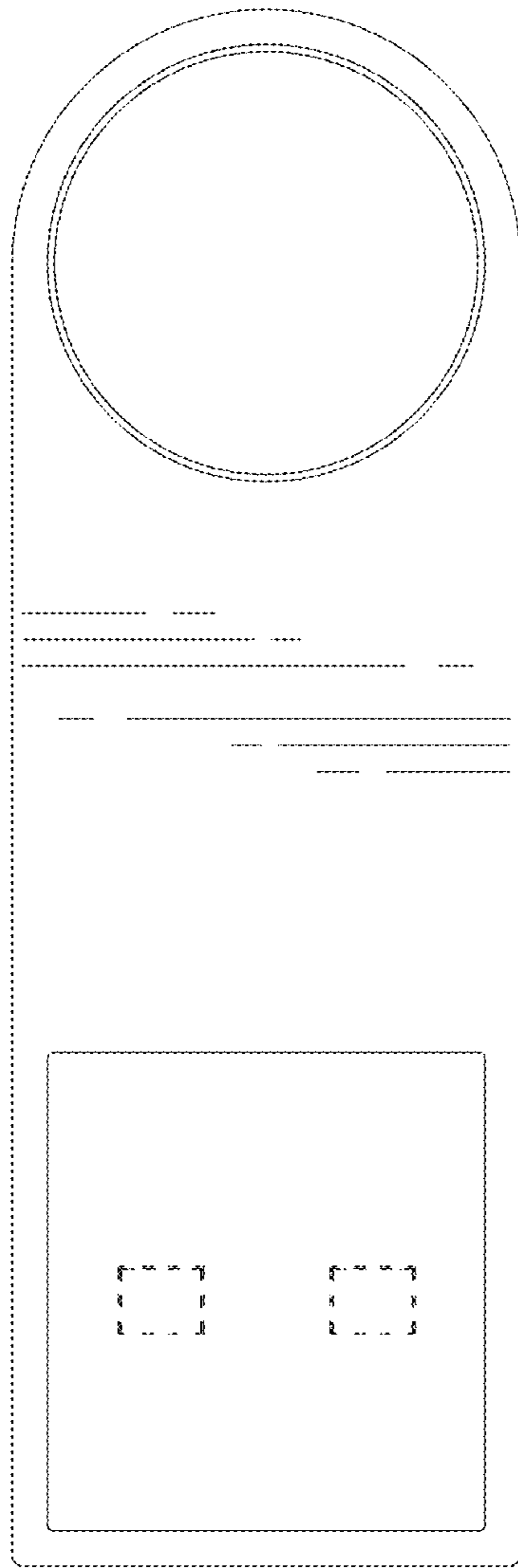


FIG. 9