



US00D809779S

(12) **United States Design Patent**  
**Muriithi**

(10) **Patent No.:** **US D809,779 S**

(45) **Date of Patent:** **\*\* Feb. 13, 2018**

(54) **COMBINED ORGANIZER AND INSERTS FOR PILL CONTAINERS**

D728,932 S \* 5/2015 Horovitz ..... D3/276  
D777,426 S \* 1/2017 Dahl ..... D3/262  
D777,428 S \* 1/2017 Hsu ..... D3/273

(Continued)

(71) Applicant: **Newton Muriithi**, Salem, MA (US)

*Primary Examiner* — Jennifer Rivard

(72) Inventor: **Newton Muriithi**, Salem, MA (US)

*Assistant Examiner* — April Rivas

(\*\*) Term: **15 Years**

(74) *Attorney, Agent, or Firm* — Daniel N. Smith

(21) Appl. No.: **29/541,083**

(57) **CLAIM**

(22) Filed: **Sep. 30, 2015**

The ornamental design for a combined organizer and inserts for pill containers, as shown and described.

(51) **LOC (11) Cl.** ..... **03-01**

**DESCRIPTION**

(52) **U.S. Cl.**

USPC ..... **D3/203.3**; D3/284

(58) **Field of Classification Search**

USPC ..... D3/273, 276, 279, 281, 282, 283, 284,  
D3/291, 294, 295, 296, 297, 905, 900,  
D3/203.1, 203.2, 203.3, 203.6

CPC ..... B25H 3/00; B25H 3/003; B25H 3/02  
See application file for complete search history.

FIG. 1 illustrates a top perspective view of a combined organizer and inserts for pill containers showing my new design;

FIG. 2 illustrates a front view thereof;

FIG. 3 illustrates a top view thereof;

FIG. 4 illustrates a left side view thereof;

FIG. 5 illustrates a right side view thereof;

FIG. 6 illustrates an exploded view thereof;

FIG. 7 illustrates a top view of a first insert for the combined organizer and inserts for pill containers;

FIG. 8 illustrates a front view thereof;

FIG. 9 illustrates a bottom view thereof;

FIG. 10 illustrates a side view thereof;

FIG. 11 illustrates a perspective view of one of the two lower inserts, the opposite insert being a mirror image thereof;

FIG. 12 illustrates a left side view thereof;

FIG. 13 illustrates a top view thereof; and,

FIG. 14 illustrates a right side view thereof.

The individual compartments shown in FIGS. 7-14 are the same compartments shown in the exploded view of FIG. 6 and are shown individually for convenience of illustration.

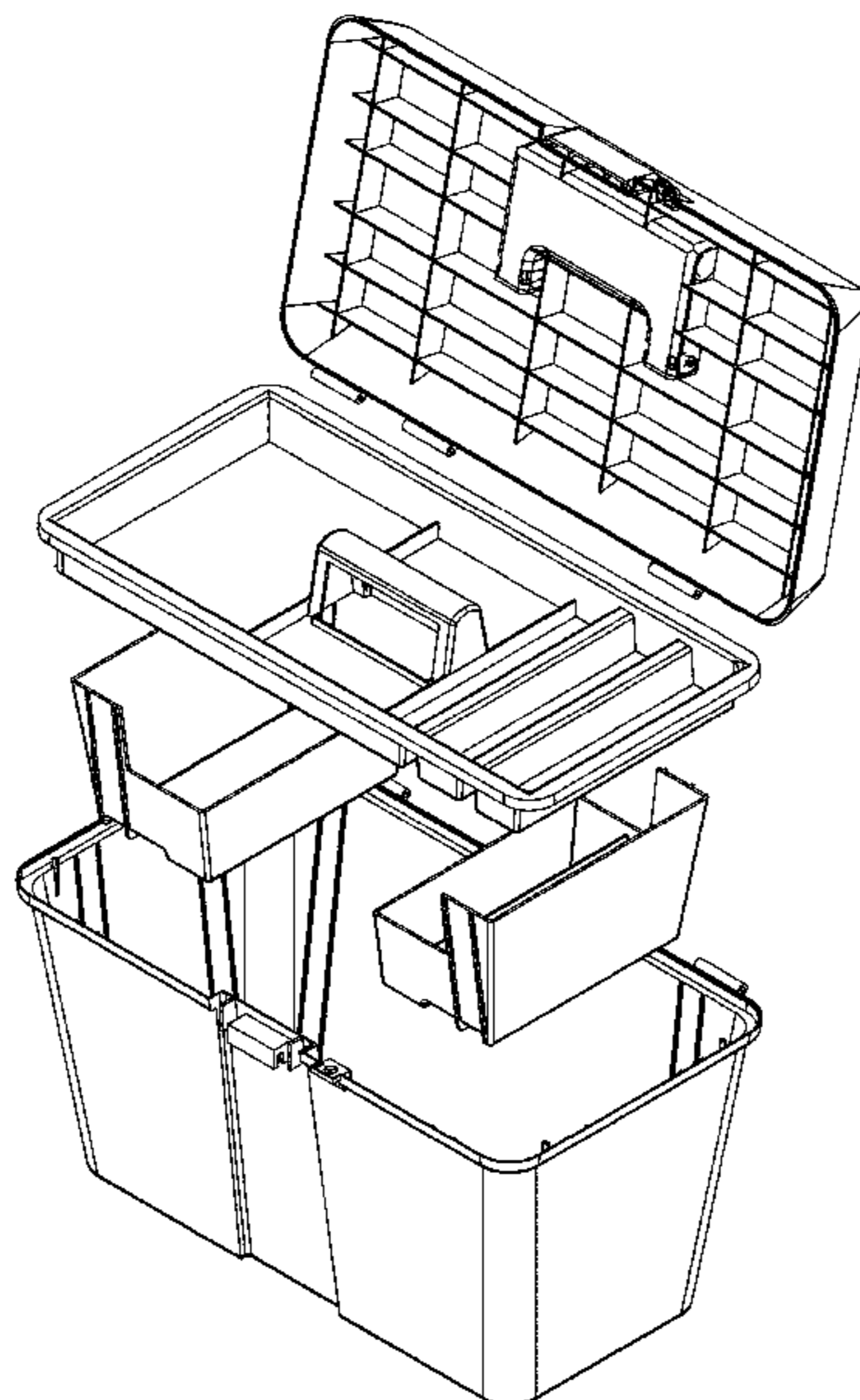
The broken lines illustrate portions of the combined organizer and inserts for pill containers and form no part of the claimed design.

(56) **References Cited**

U.S. PATENT DOCUMENTS

|           |    |   |         |           |       |                       |
|-----------|----|---|---------|-----------|-------|-----------------------|
| D246,139  | S  | * | 10/1977 | Landell   | ..... | D3/281                |
| D249,590  | S  | * | 9/1978  | Berkman   | ..... | D3/284                |
| 5,011,013 | A  | * | 4/1991  | Meisner   | ..... | B25H 3/023<br>206/373 |
| D333,568  | S  | * | 3/1993  | Dickinson | ..... | D3/286                |
| D379,266  | S  | * | 5/1997  | Dickinson | ..... | D3/281                |
| D404,916  | S  | * | 2/1999  | Dickinson | ..... | D3/281                |
| D417,956  | S  | * | 12/1999 | Story     | ..... | D3/276                |
| D434,225  | S  | * | 11/2000 | Story     | ..... | D3/276                |
| 6,343,708 | B1 | * | 2/2002  | Riso      | ..... | B25H 3/02<br>206/373  |
| D459,073  | S  | * | 6/2002  | Lee       | ..... | D3/276                |
| D525,789  | S  | * | 8/2006  | Hosking   | ..... | D3/281                |
| D535,469  | S  | * | 1/2007  | Nassos    | ..... | D3/203.6              |
| D577,928  | S  | * | 10/2008 | Wong      | ..... | D3/295                |
| D619,801  | S  | * | 7/2010  | Ma        | ..... | D3/203.6              |
| D694,522  | S  | * | 12/2013 | Horovitz  | ..... | D3/281                |

**1 Claim, 14 Drawing Sheets**



(56)

**References Cited**

U.S. PATENT DOCUMENTS

|                   |        |                   |                         |
|-------------------|--------|-------------------|-------------------------|
| D777,430 S *      | 1/2017 | Thomas .....      | D3/297                  |
| 2004/0134818 A1 * | 7/2004 | Cunningham .....  | B25H 3/023<br>206/373   |
| 2011/0181008 A1 * | 7/2011 | Bensman .....     | B25H 3/026<br>280/47.26 |
| 2012/0152944 A1 * | 6/2012 | Vilkomirski ..... | B25H 3/022<br>220/4.28  |

\* cited by examiner

FIG. 1

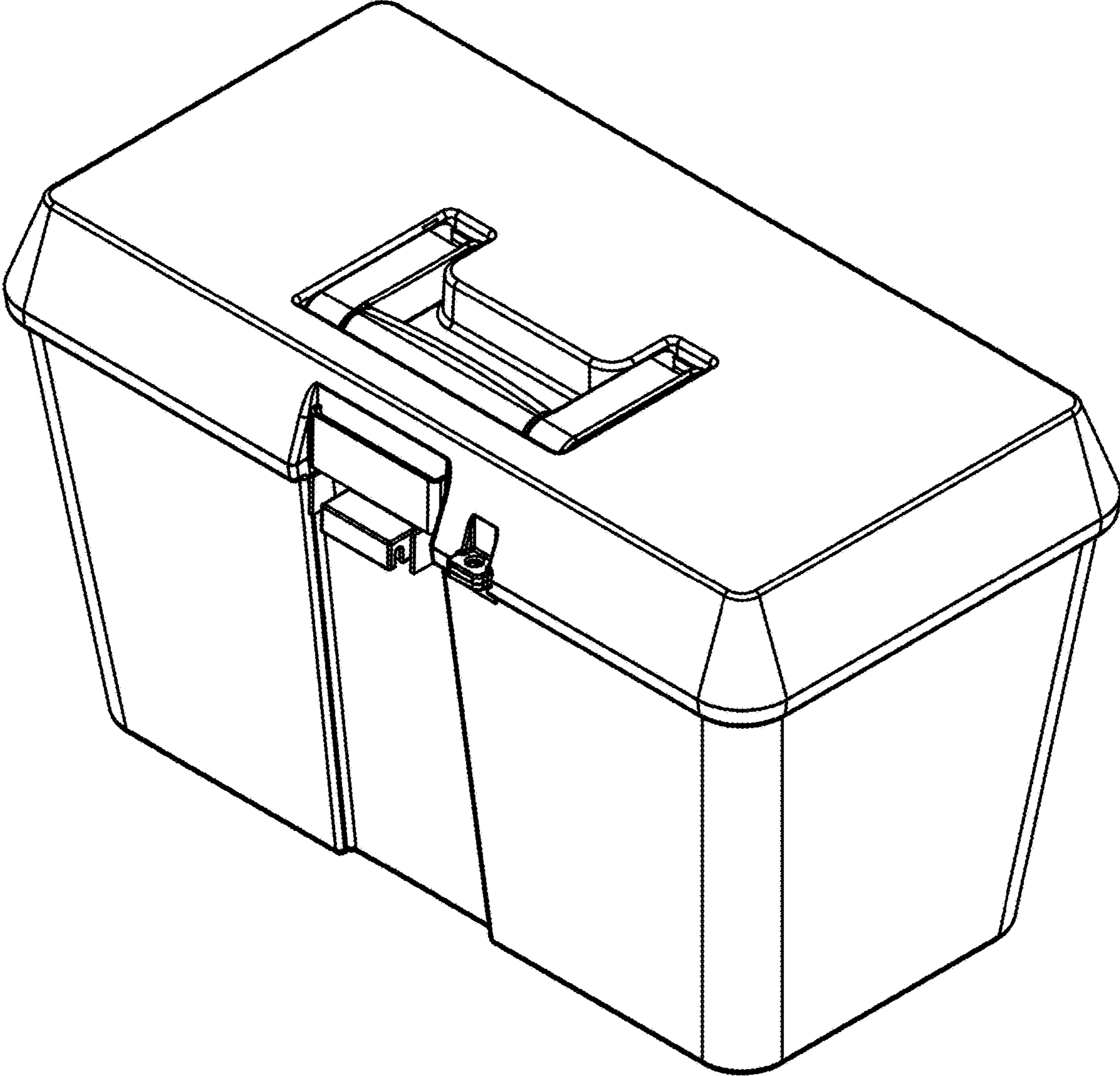


FIG. 2

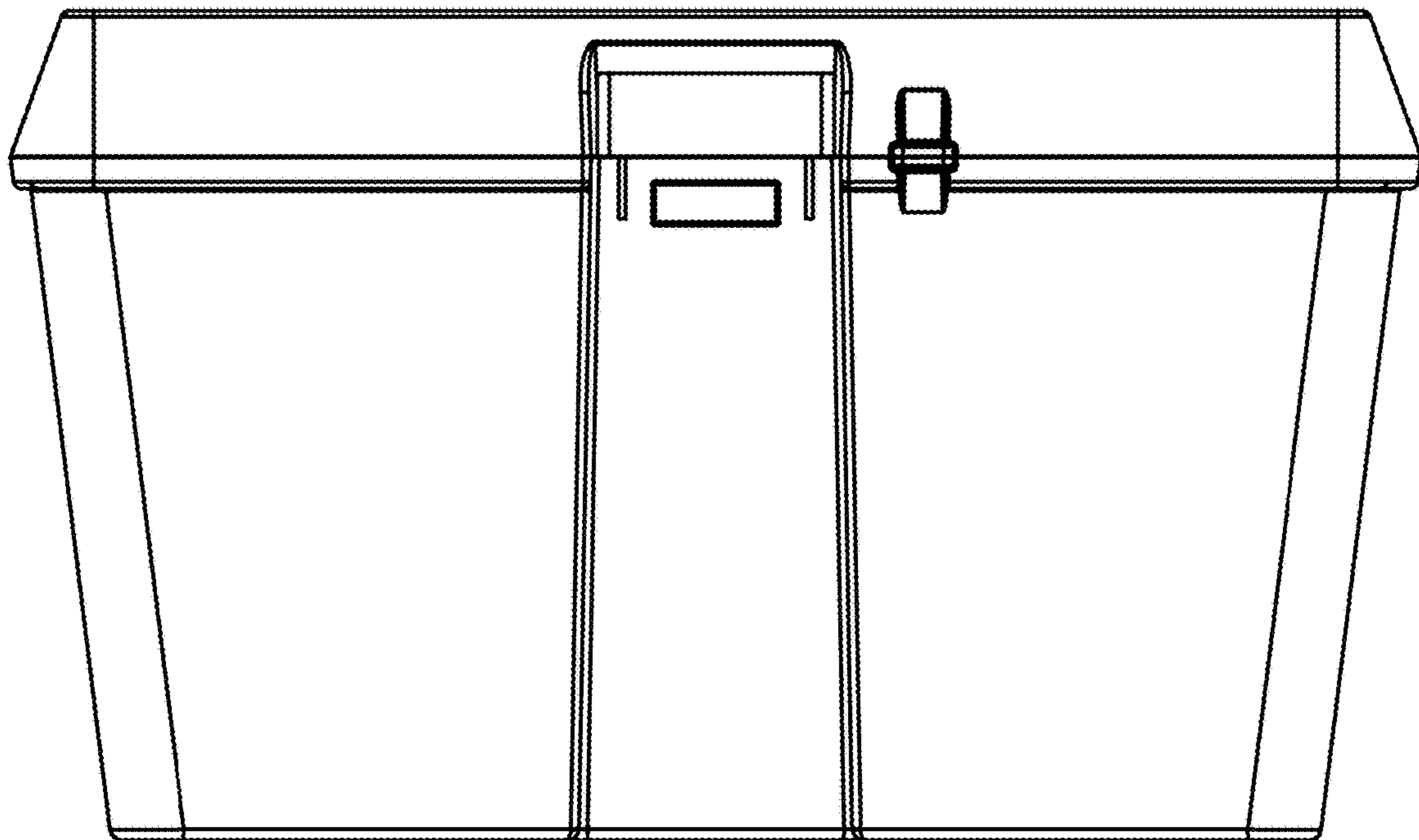


FIG. 3

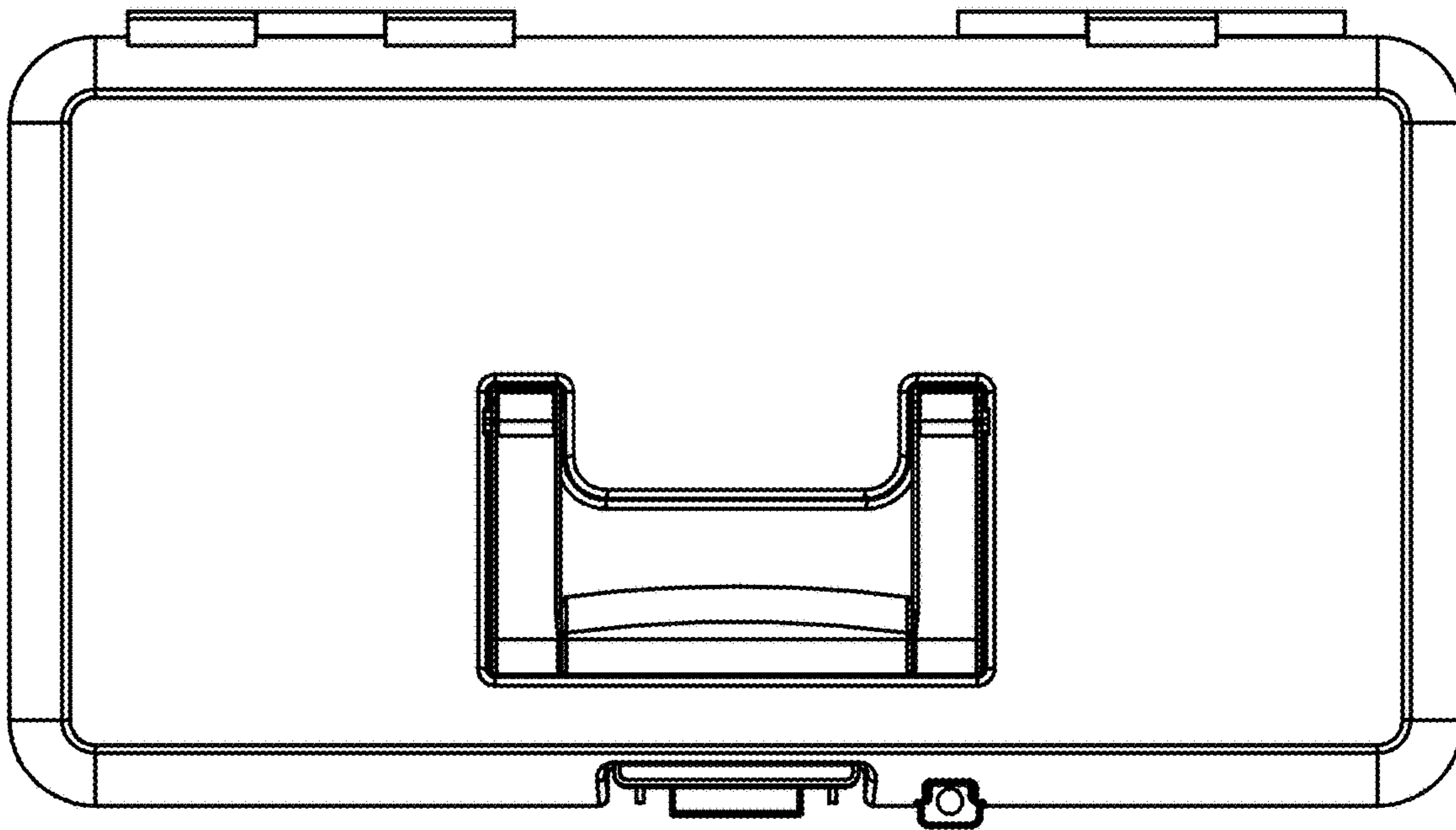


FIG. 4

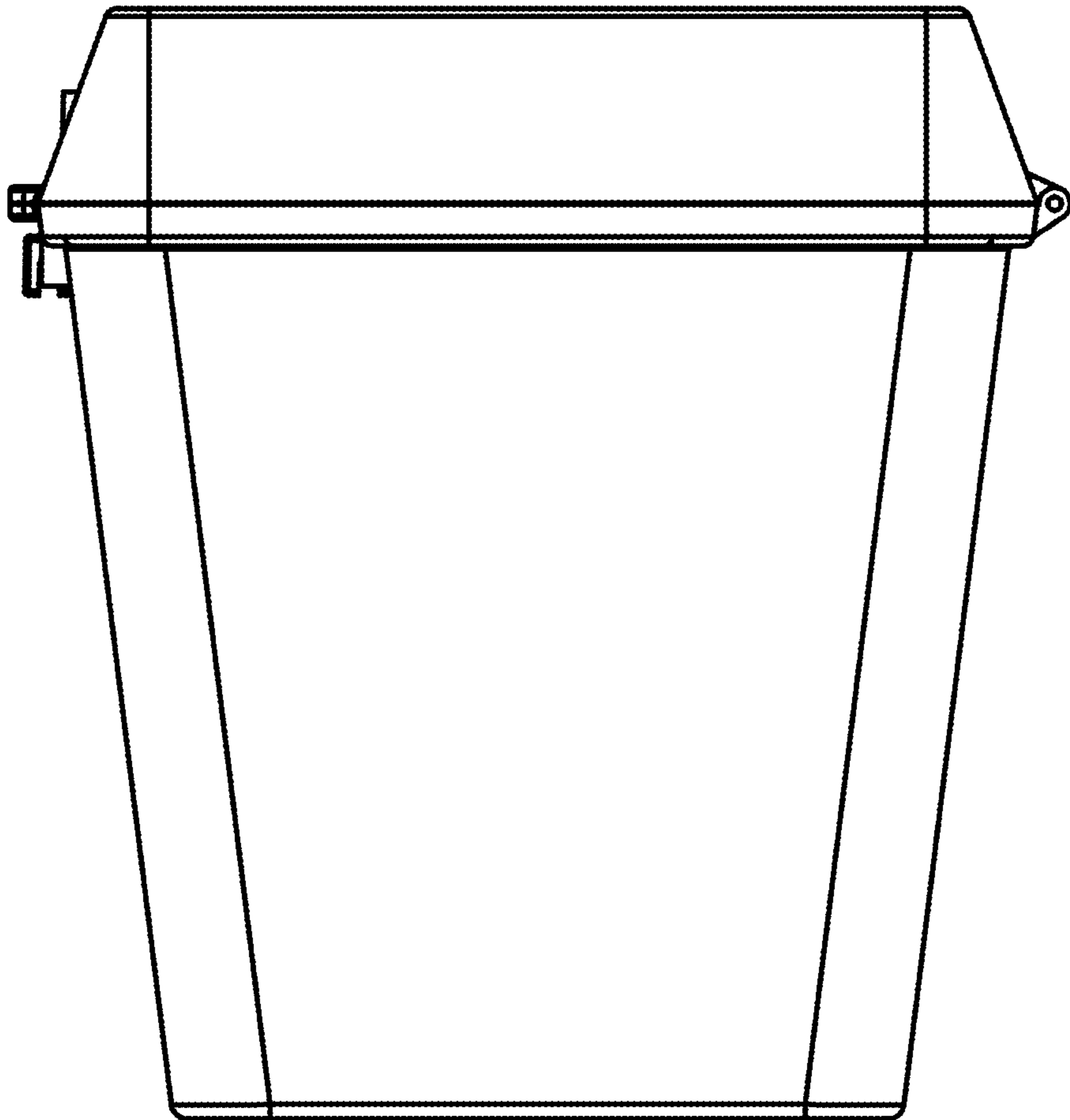


FIG. 5

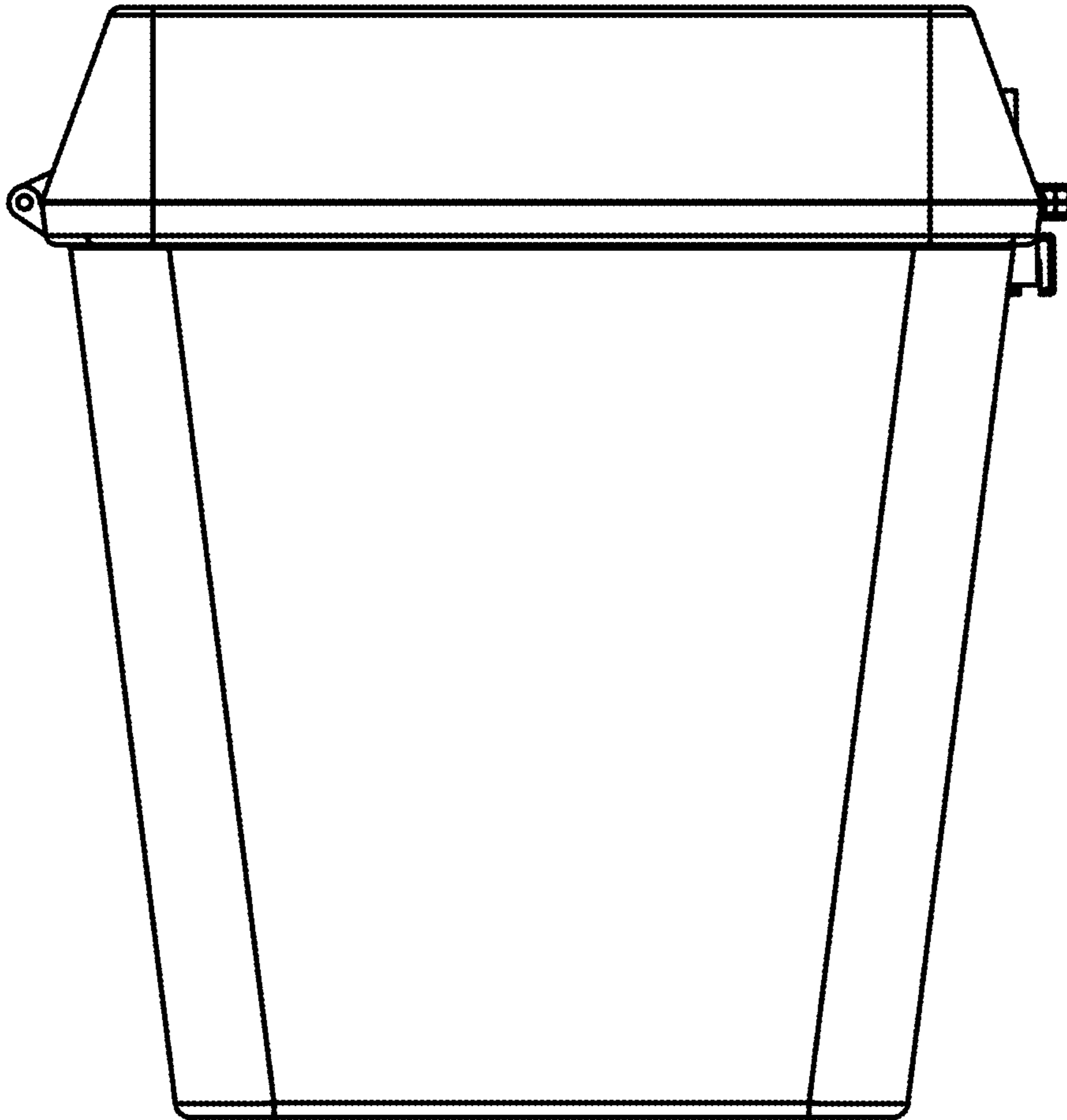


FIG. 6

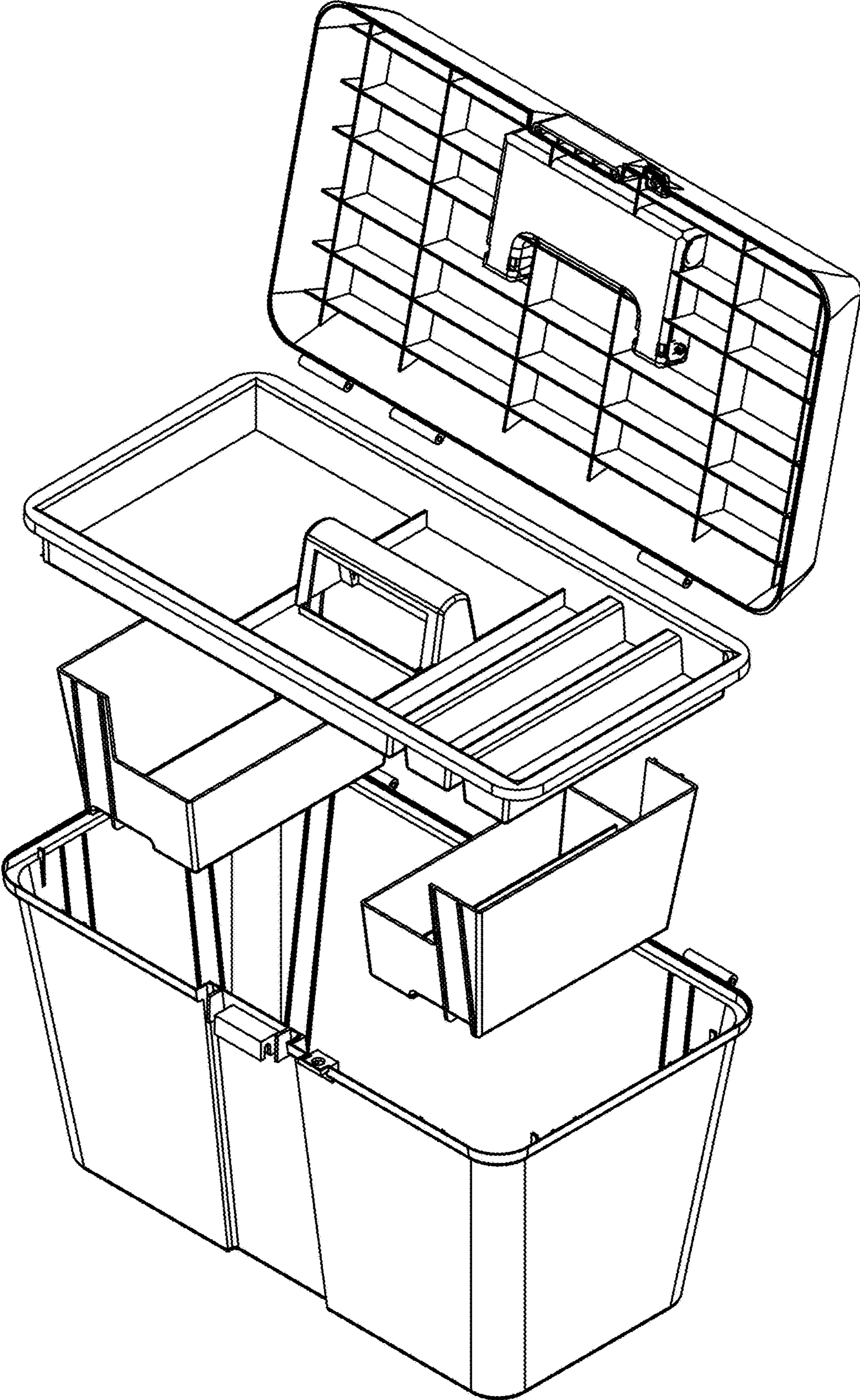




FIG. 7

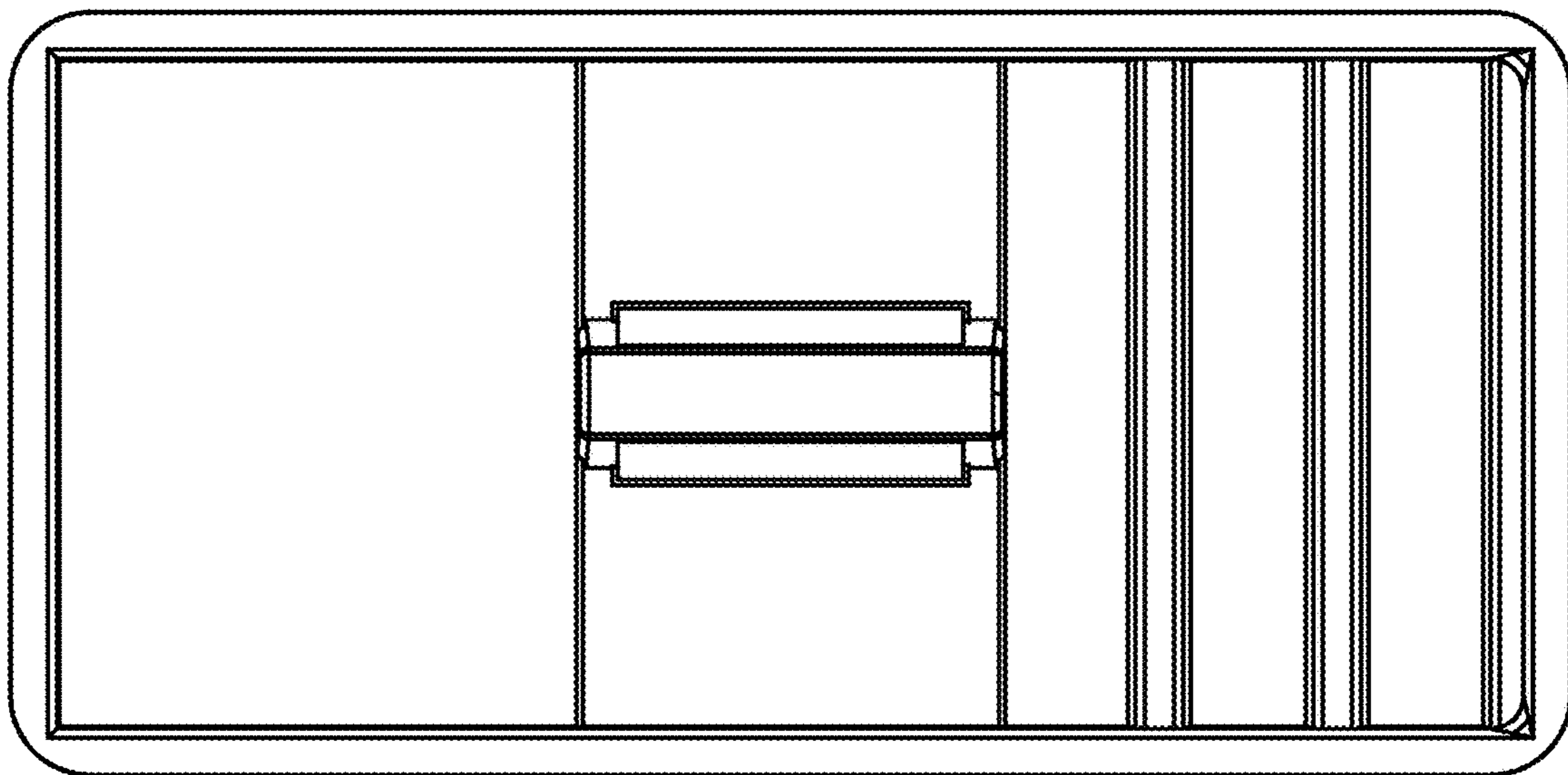


FIG. 8

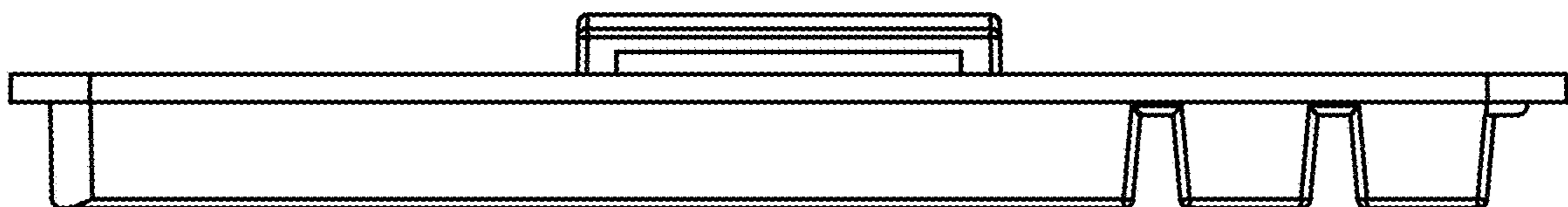


FIG. 9

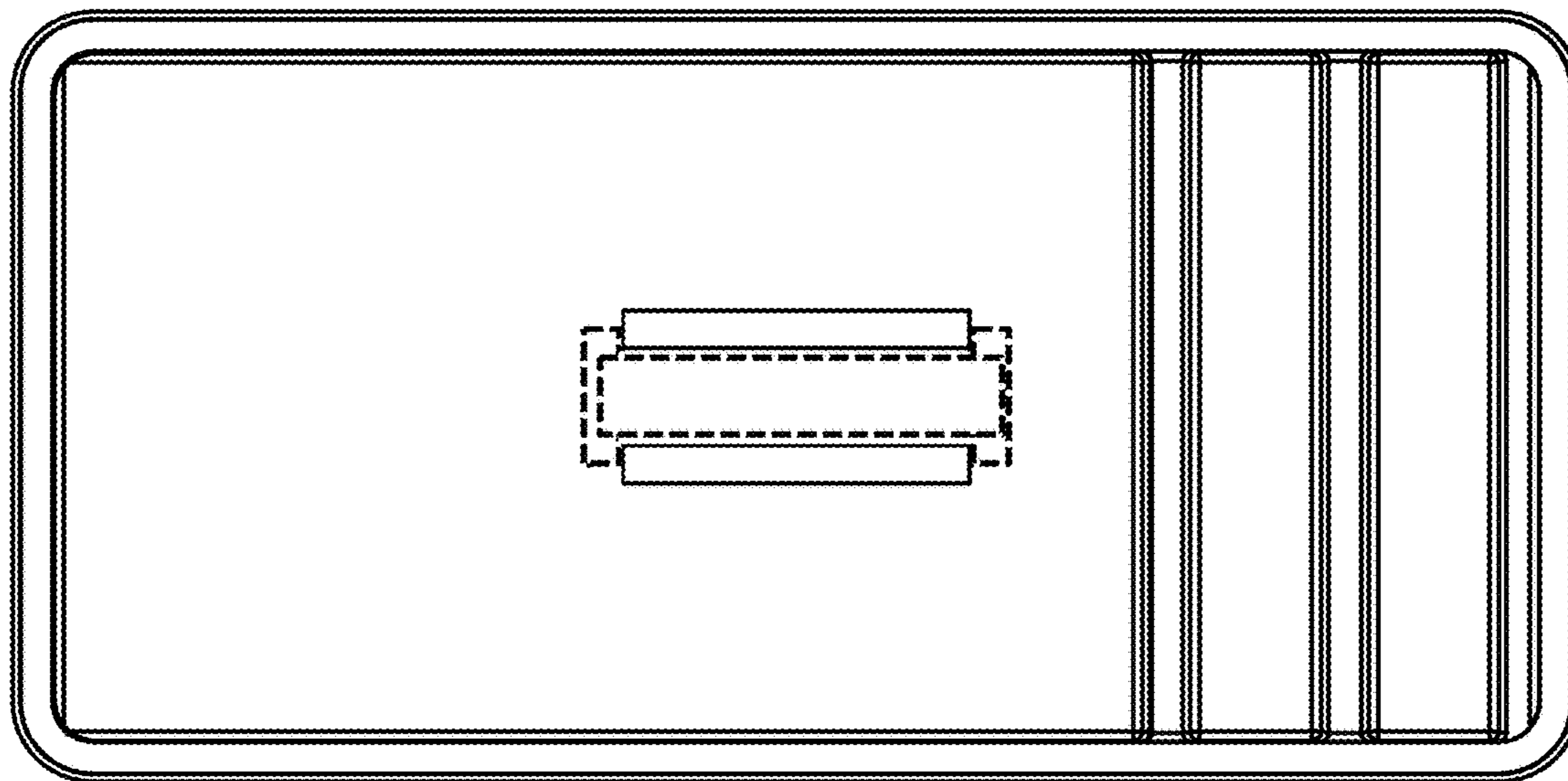


FIG. 10

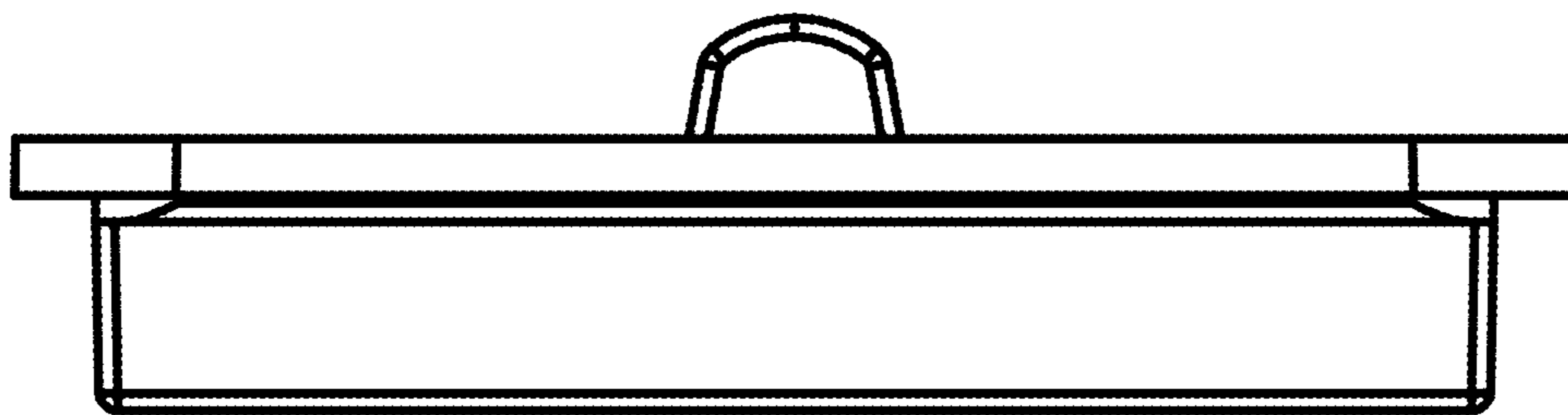


FIG. 11

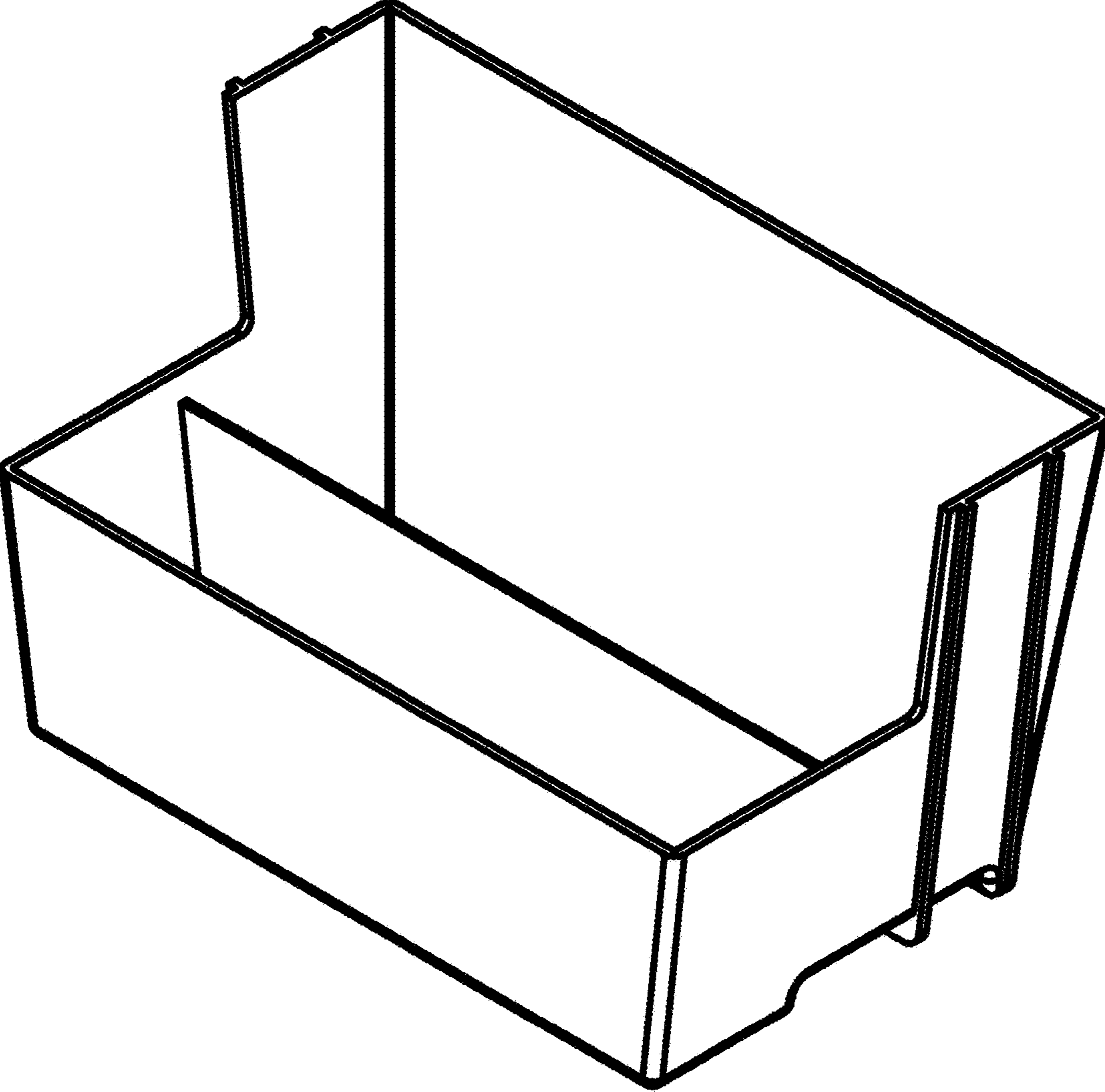


FIG. 12

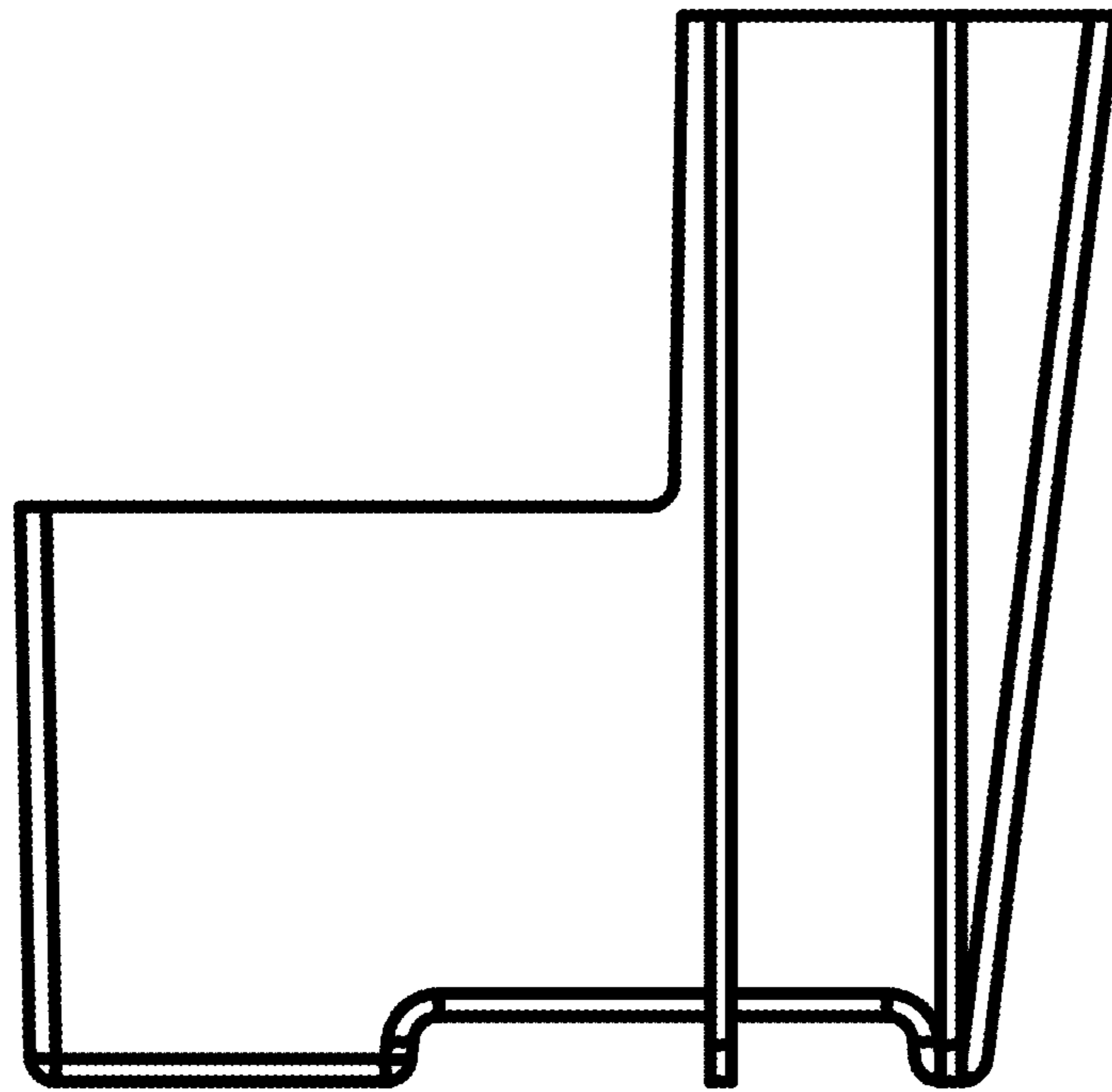


FIG. 13

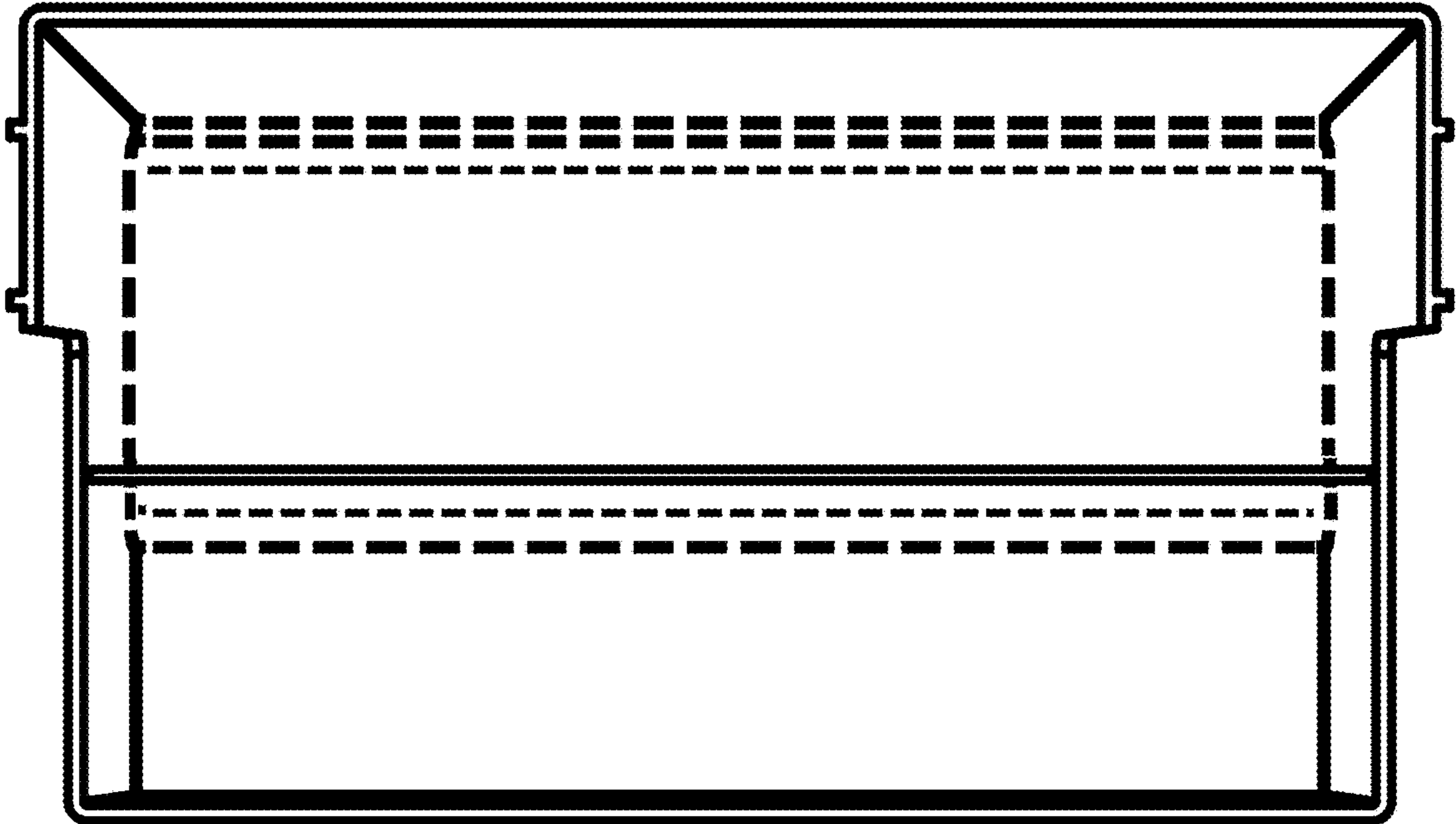


FIG. 14

