



US00D809774S

(12) **United States Design Patent** (10) **Patent No.:** **US D809,774 S**
Brady (45) **Date of Patent:** **** Feb. 13, 2018**

(54) **GROUND ANCHORING UMBRELLA STAND**

(71) Applicant: **Michael J. Brady**, Destrehan, LA (US)

(72) Inventor: **Michael J. Brady**, Destrehan, LA (US)

(**) Term: **15 Years**

(21) Appl. No.: **29/580,913**

(22) Filed: **Oct. 13, 2016**

(51) **LOC (11) Cl.** **03-03**

(52) **U.S. Cl.**
USPC **D3/10**

(58) **Field of Classification Search**
USPC D3/10; D8/356, 396, 72, 395, 10, 103,
D8/105, 106, 119, 308, 309, 310;
D9/424, 453; D13/149, 154; D24/143,
D24/128

CPC B65H 35/0026; F16L 23/06; F16L 23/04;
F16L 3/23; F16L 23/10
See application file for complete search history.

(56) **References Cited**

U.S. PATENT DOCUMENTS

2,554,887	A *	5/1951	Tricarico	E04H 12/2215	248/156
5,207,402	A *	5/1993	Berry-Tremmel	G09F 7/18	248/156
D387,884	S *	12/1997	Mackay	D26/93	
6,575,417	B1 *	6/2003	Krommenakker	.	A47G 23/0225	248/151
D549,525	S *	8/2007	Kozel	D7/620	
D609,494	S *	2/2010	Jenkins, Sr.	D3/10	
D655,531	S *	3/2012	Gharst	D3/10	
D662,063	S *	6/2012	Eriksen	D13/151	

D759,956	S *	6/2016	McQuaid	D3/10	
2002/0036008	A1 *	3/2002	Hickam	A47B 37/04	135/98
2008/0017226	A1 *	1/2008	Nobert	E04H 12/2215	135/16
2008/0127902	A1 *	6/2008	Bent N.	A01K 39/014	119/52.3
2015/0364067	A1 *	12/2015	Doria	G09F 17/00	116/173
2017/0193862	A1 *	7/2017	Warnes	G09F 7/18	

* cited by examiner

Primary Examiner — John Windmuller

Assistant Examiner — Benjamin Weeks

(74) *Attorney, Agent, or Firm* — Norton IP Law Firm;
Taylor M. Norton

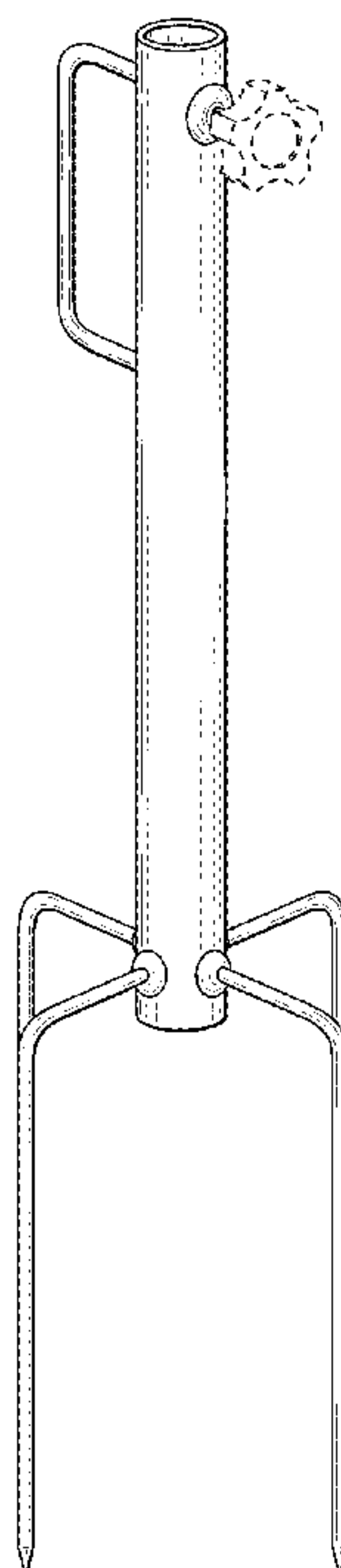
(57) **CLAIM**

The ornamental design for a ground anchoring umbrella stand, as shown and described.

DESCRIPTION

FIG. 1 is a perspective view of a ground anchoring umbrella stand apparatus;
FIG. 2 is a front elevation view thereof, the rear elevational view being a mirror image of the front elevation view;
FIG. 3 is a left elevation view thereof;
FIG. 4 is a right elevation view thereof;
FIG. 5 is top plan view thereof; and,
FIG. 6 is a bottom plan view thereof.
The broken lines represent portions of the ground anchoring umbrella stand that form no part of the claimed design.

1 Claim, 5 Drawing Sheets



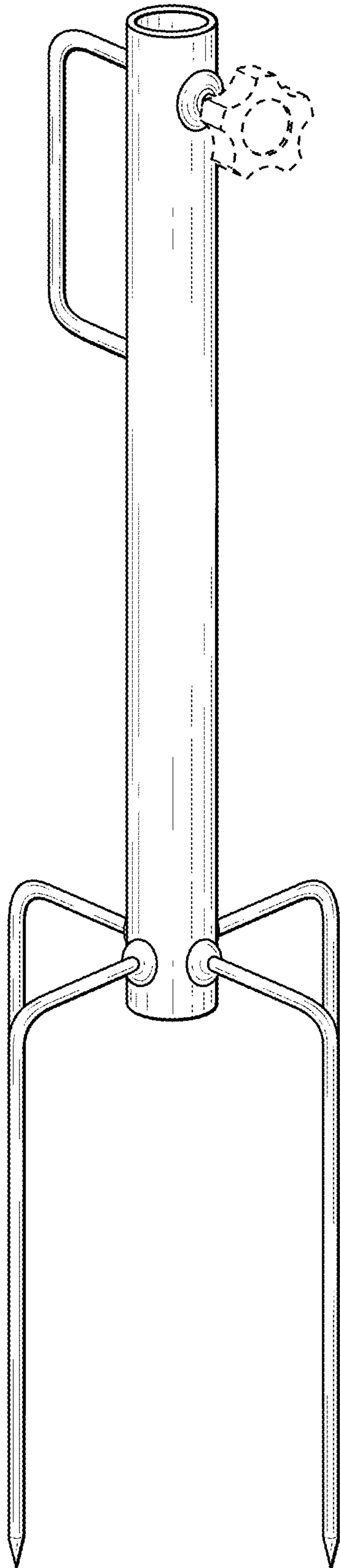


FIG. 1

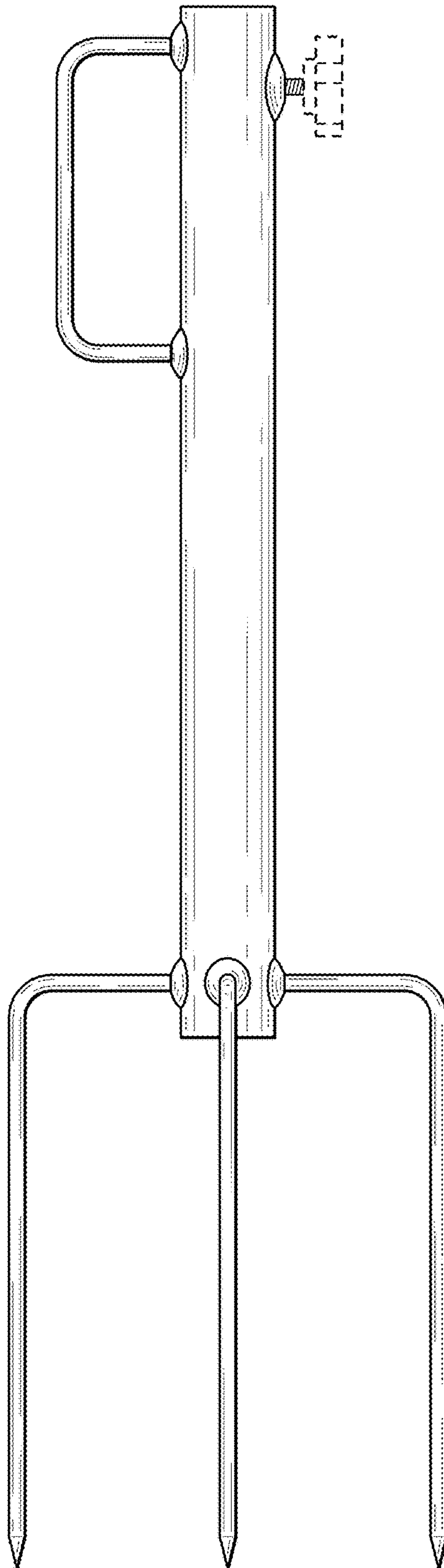


FIG. 2

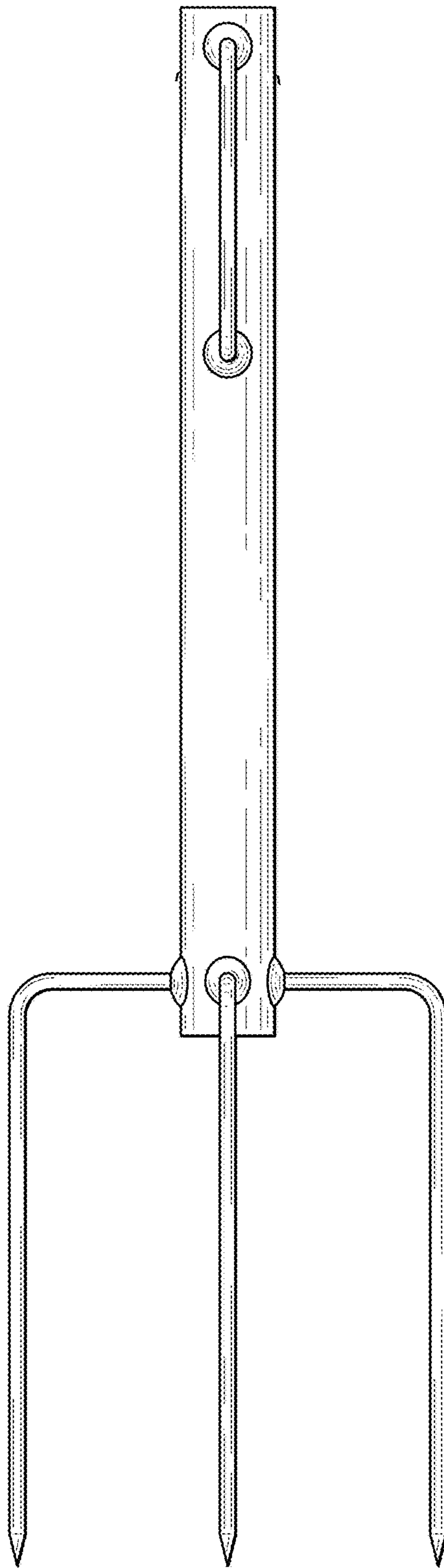


FIG. 3

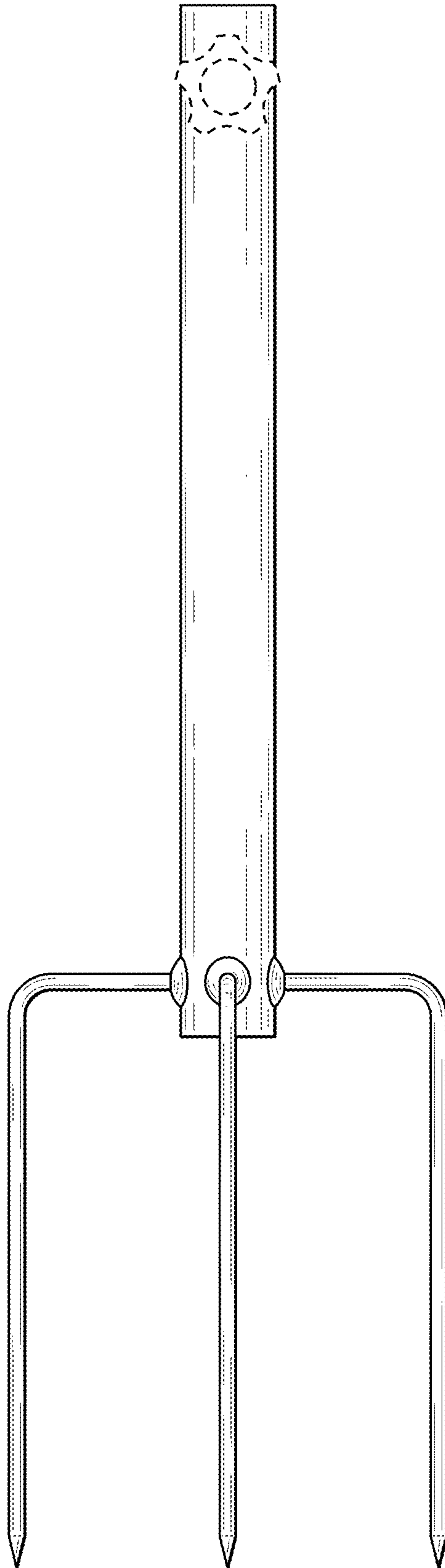


FIG. 4

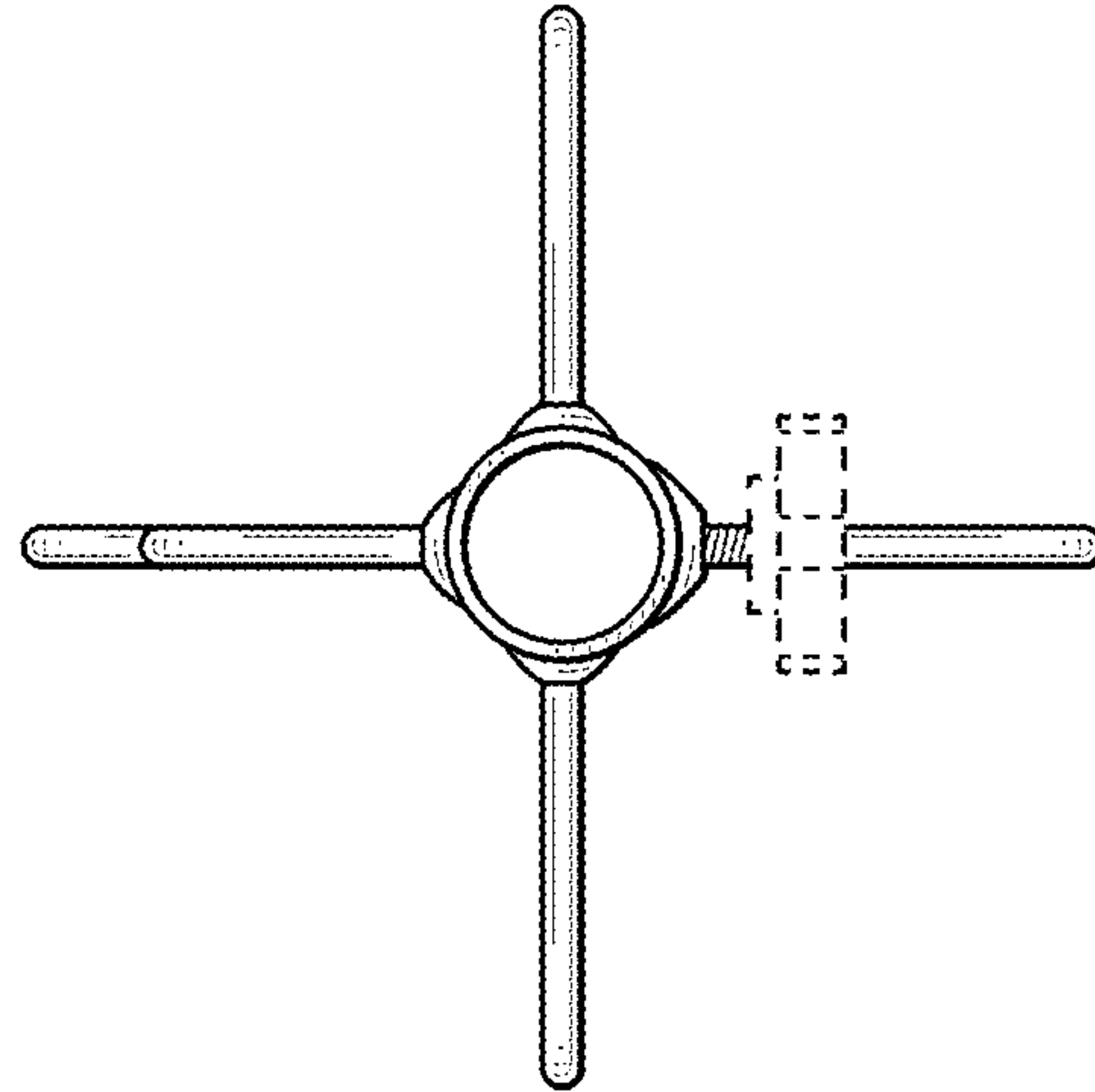


FIG. 5

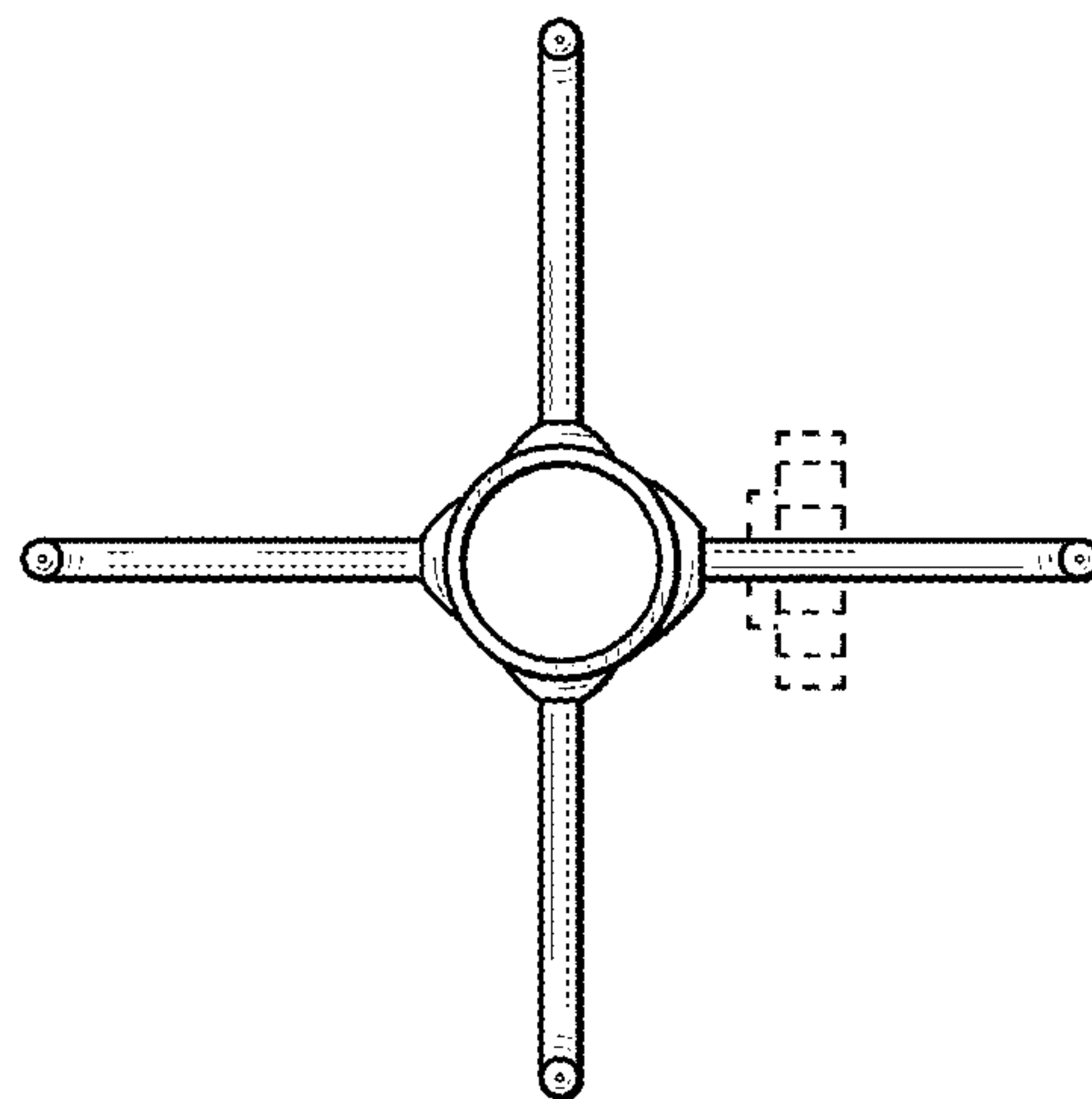


FIG. 6