



US00D809762S

(12) **United States Design Patent**  
**Wright et al.**

(10) **Patent No.:** **US D809,762 S**

(45) **Date of Patent:** **\*\* Feb. 13, 2018**

(54) **SHOE UPPER**

(71) Applicant: **NIKE, Inc.**, Beaverton, OR (US)

(72) Inventors: **Ronald W. Wright**, Vancouver, WA (US); **Anum Malik**, Portland, OR (US)

(73) Assignee: **NIKE, Inc.**, Beaverton, OR (US)

(\*\*) Term: **15 Years**

(21) Appl. No.: **29/562,969**

(22) Filed: **Apr. 29, 2016**

(51) **LOC (11) Cl.** ..... **02-04**

(52) **U.S. Cl.**  
USPC ..... **D2/972**

(58) **Field of Classification Search**  
USPC ..... D2/902, 906–908, 944, 946, 969,  
D2/972–974  
CPC ... A43B 13/181; A43B 13/141; A43B 13/186;  
A43B 13/188; A43B 23/00; A43B 23/02;  
A43B 5/00; A43B 23/26; A43B 1/04;  
A43B 7/00; A43C 1/00; A43C 11/00  
See application file for complete search history.

(56) **References Cited**

**U.S. PATENT DOCUMENTS**

D334,461 S *	4/1993	Mocerri	.....	D2/906
D349,394 S *	8/1994	Hatfield	.....	D2/902
D387,850 S	12/1997	Hatfield et al.		
D394,144 S	5/1998	Parmar		
D398,754 S	9/1998	McCourt		
D414,321 S *	9/1999	Blakeslee	.....	D2/972
D422,132 S	4/2000	Fogg		
D424,798 S	5/2000	McDowell		
D431,711 S *	10/2000	Matis	.....	D2/903
D448,548 S *	10/2001	Simpson	.....	D2/902
D508,767 S	8/2005	Hatfield		
D515,287 S	2/2006	Ardissono		
D544,693 S	6/2007	Caine		
D546,549 S	7/2007	Gajowskyj		
D575,481 S *	8/2008	Santos	.....	D2/896

D578,294 S *	10/2008	Mervar	.....	D2/969
D587,002 S	2/2009	Chang		
D587,891 S	3/2009	Minami		
D595,499 S *	7/2009	Dekovic	.....	D2/972
D608,540 S	1/2010	Dekovic		
D614,388 S *	4/2010	Petrie	.....	D2/972
D614,389 S	4/2010	Petrie		
D614,390 S *	4/2010	Petrie	.....	D2/972

(Continued)

**OTHER PUBLICATIONS**

Classic—Tall Diamond Quilted Boot, posted by UGG posted review date Dec. 10, 2014, © Nordstrom.com, [online], [site visited Feb. 2, 2017]. Available from Internet, <<http://shop.nordstrom.com/s/ugg-classic-tall-diamond-quilted-boot-women/3810895?origin=keywordsearch-personalizedsort&fashioncolor=BLACK>>.\*

(Continued)

*Primary Examiner* — Cynthia Ramirez  
*Assistant Examiner* — Laura H Yu  
(74) *Attorney, Agent, or Firm* — Banner & Witcoff, Ltd.

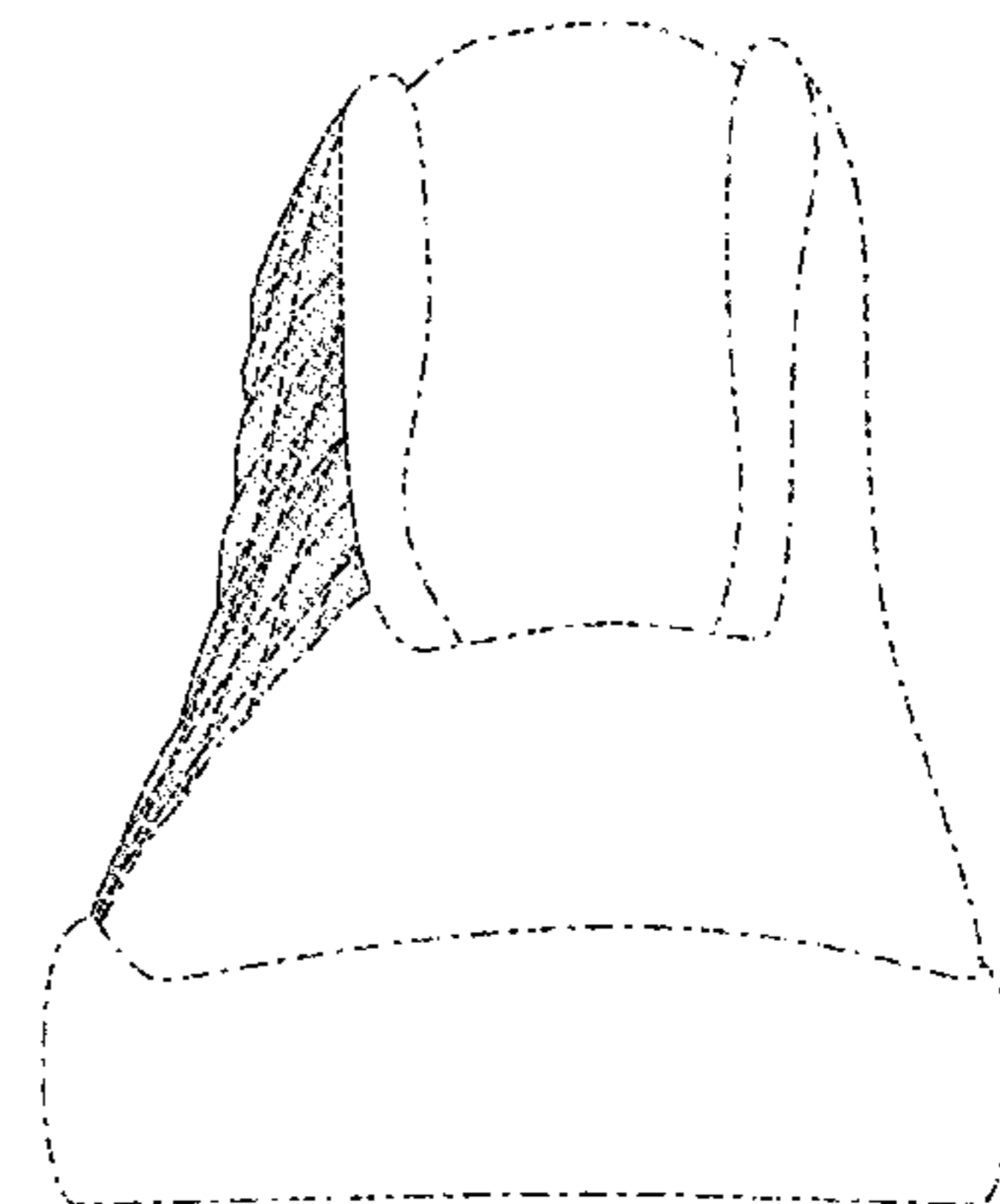
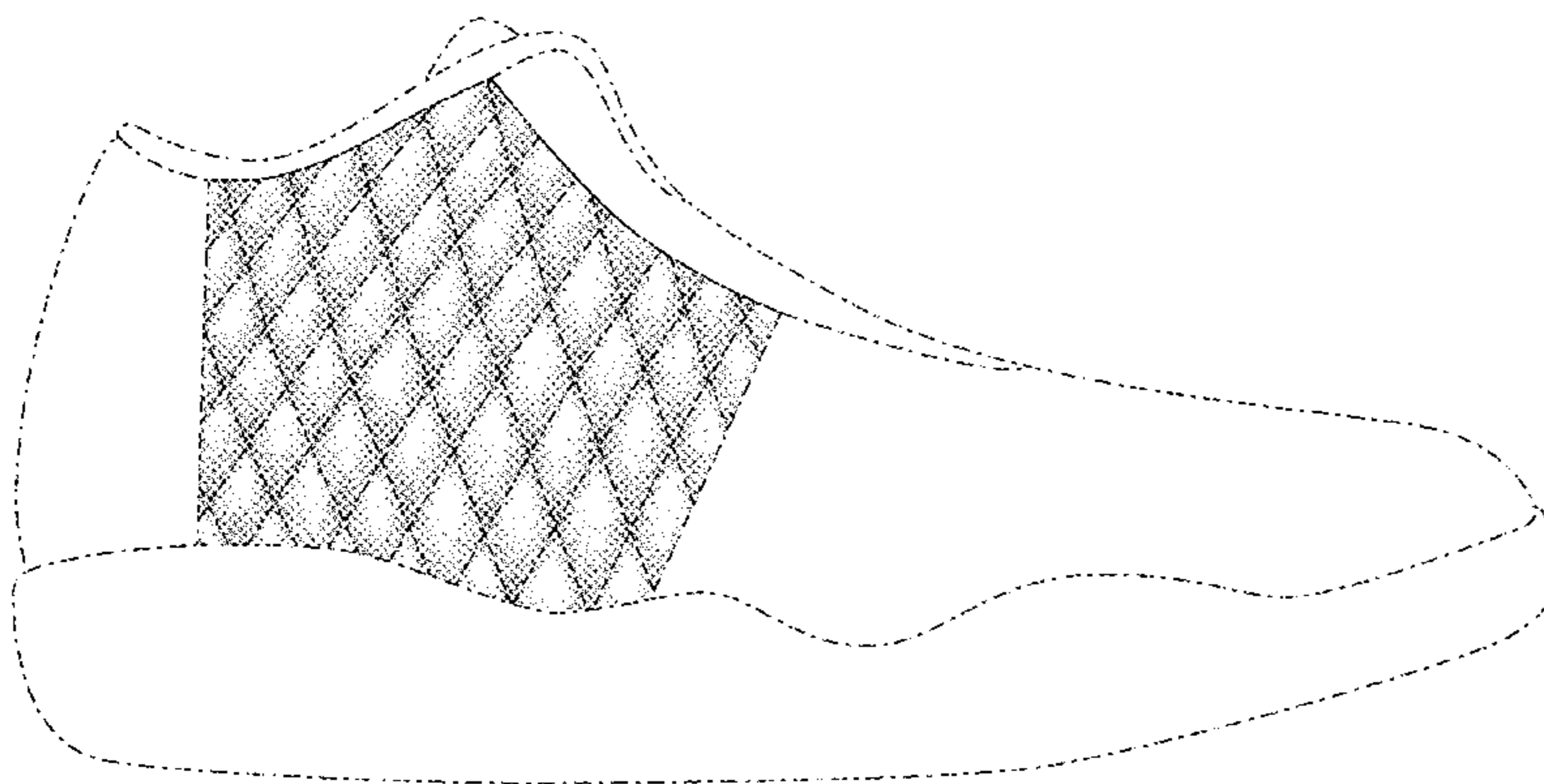
(57) **CLAIM**

The ornamental design for a shoe upper, as shown and described.

**DESCRIPTION**

FIG. 1 is a front perspective view of a shoe upper showing our new design;  
FIG. 2 is a side view thereof;  
FIG. 3 is a rear perspective view thereof; and,  
FIG. 4 is a front view thereof.  
The even-length broken lines within the shaded area represent stitching. The uneven-length broken lines immediately adjacent to the shaded area represent unclaimed boundaries of the design. The uneven-length broken lines showing the remainder of the shoe are for environmental purposes only and form no part of the claimed design.

**1 Claim, 4 Drawing Sheets**



(56)

**References Cited**

U.S. PATENT DOCUMENTS

D687,220 S	8/2013	Aveni	
D687,625 S	8/2013	Aveni	
D690,926 S	10/2013	Wright	
D692,648 S	11/2013	Anceresi et al.	
D693,104 S	11/2013	McMillan	
D718,032 S	11/2014	VanHook	
D765,383 S *	9/2016	Chang .....	D2/972
D771,367 S	11/2016	Taylor	
D773,795 S	12/2016	Lok	
D794,302 S *	8/2017	Vega .....	D2/969

OTHER PUBLICATIONS

Ecentrcq Sneaker, posted by Steve Madden posted review date Dec. 2, 2015, © Nordstrom.com, [online], [site visited Feb. 2, 2017]. Available from Internet, <<http://shop.nordstrom.com/s/steve-madden-ecentrcq-sneaker-little-kid-big-kid/4087896?origin=keywordsearch-personalizedsort&fashioncolor=BLACK%20FAUX%20LEATHER>>.\*

Cafine High Top Sneaker, posted by Steve Madden posted date unknown, © Nordstrom.com, [online], [site visited Feb. 2, 2017]. Available from Internet, <<http://shop.nordstrom.com/s/steve-madden-cafine-high-top-sneaker-little-kid-big-kid/4568128?origin=keywordsearch-personalizedsort&fashioncolor=NAVY%20VELVET>>.\*

Nike SB Blazer, posted by X posted review date Jul. 14, 2009, © SneakerNews.com, [online], [site visited Feb. 2, 2017]. Available from Internet, <<http://sneakernews.com/2009/07/14/Nike-SB-Blazer-Un-Supreme-Omar-Salazar-Sample>>.\*

Quilted Jordans posted by Mario Briguglio posted date Jul. 1, 2016, © Sneaker Bar Detroit, [online], <https://sneakerbardetroit.com/jordan-horizon-quilted-black-release-date/> (Year: 2016).\*

Black Croc Jordans posted by Brendan Dunne posted date Apr. 1, 2016, © Sole Collector, [online], <https://solecollector.com/news/2016/04/jordan-horizon-black-croc> (Year: 2016).\*

Quilted Jordans posted by Mario Briguglio posted date Dec. 14, 2014, © Sneaker Bar Detroit, [online], <https://sneakerbardetroit.com/air-jordan-2-quilted-cool-grey/> (Year: 2014).\*

Nike Footwear Catalog, 1998 Late Fall Footwear, p. 56, published Mar. 1998, NIKE, Inc., USA.

Nike Free Hybrid Boot Premium—Black Quilted [online], [retrieved Dec. 30, 2016] retrieved from internet <URL: <<http://sneakernews.com/2008/08/21/nike-free-hybrid-boot-premium-black-quilted/>>; 4 color sheets, Dated Aug. 21, 2008.

Nike SB Blazer—Un-Supreme—Omar Salazar Sample [online], [retrieved Dec. 30, 2016] retrieved from internet <URL: <<http://sneakernews.com/2009/07/14/nike-sb-blazer-un-supreme-omar-salazar-sample/>>; 5 color sheets, Dated Jul. 14, 2009.

Air Jordan XV “Black/Neon Green” Collection [online], [retrieved Dec. 30, 2016] retrieved from internet <URL: <<http://sneakernews.com/2013/02/04/air-jordan-xv-black-neon-green-collection/>>; 3 color sheets, Dated Feb. 4, 2013.

Diesel Black Leather Diamond Sneakers [online], [retrieved Jan. 3, 2017] retrieved from internet <URL: <<http://mankindunplugged.com/2015/07/24/diesel-black-leather-diamond-sneakers/>>; 4 color sheets, Dated Jul. 24, 2015.

Lebron 13 Elite Designed for James’s Championship Quest [online], [retrieved Jan. 3, 2017] retrieved from internet <URL: <<http://news.nike.com/news/lebron-13-elite/>>; 10 color sheets, Dated Mar. 15, 2016.

\* cited by examiner

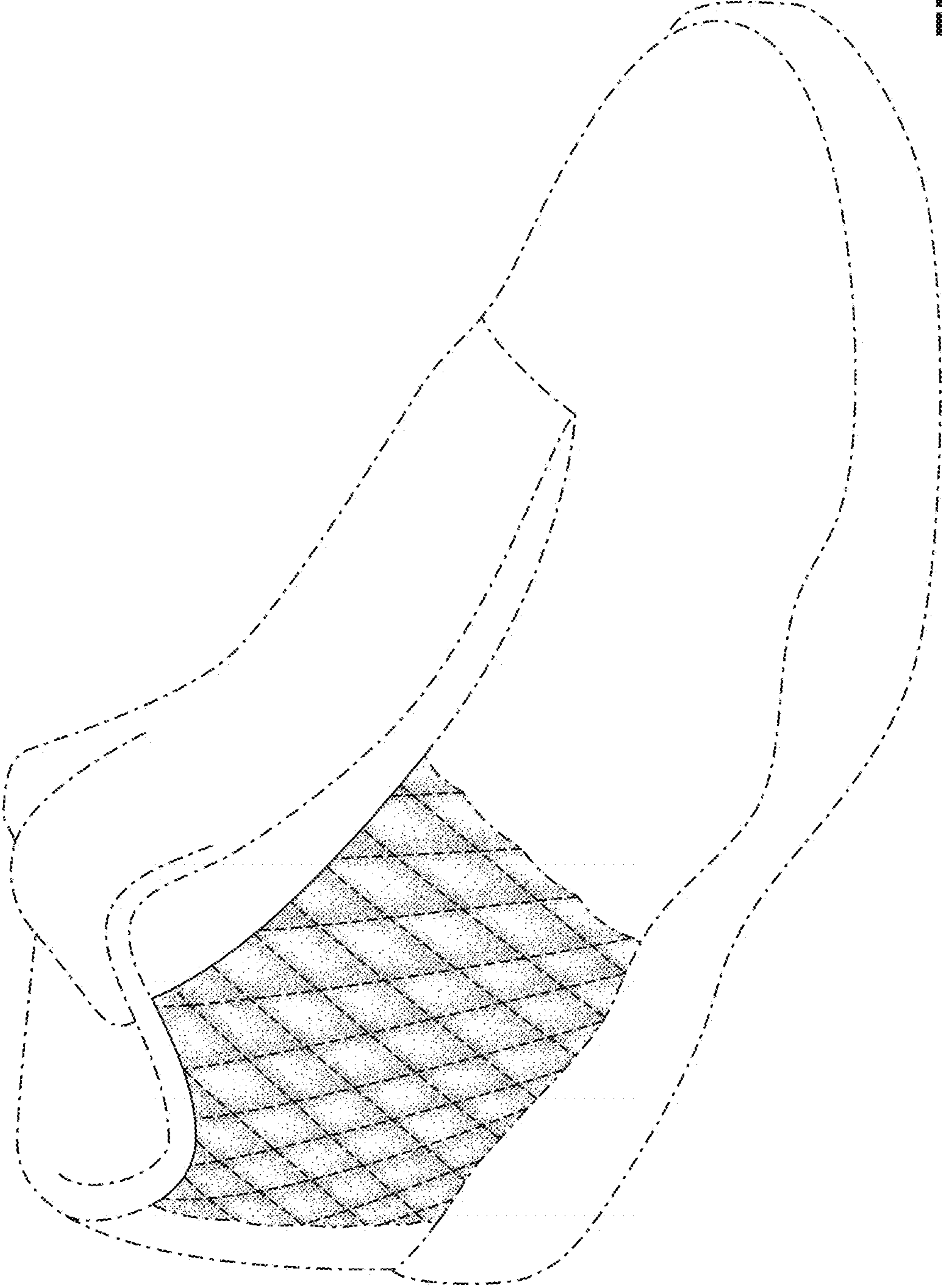


FIG. 1

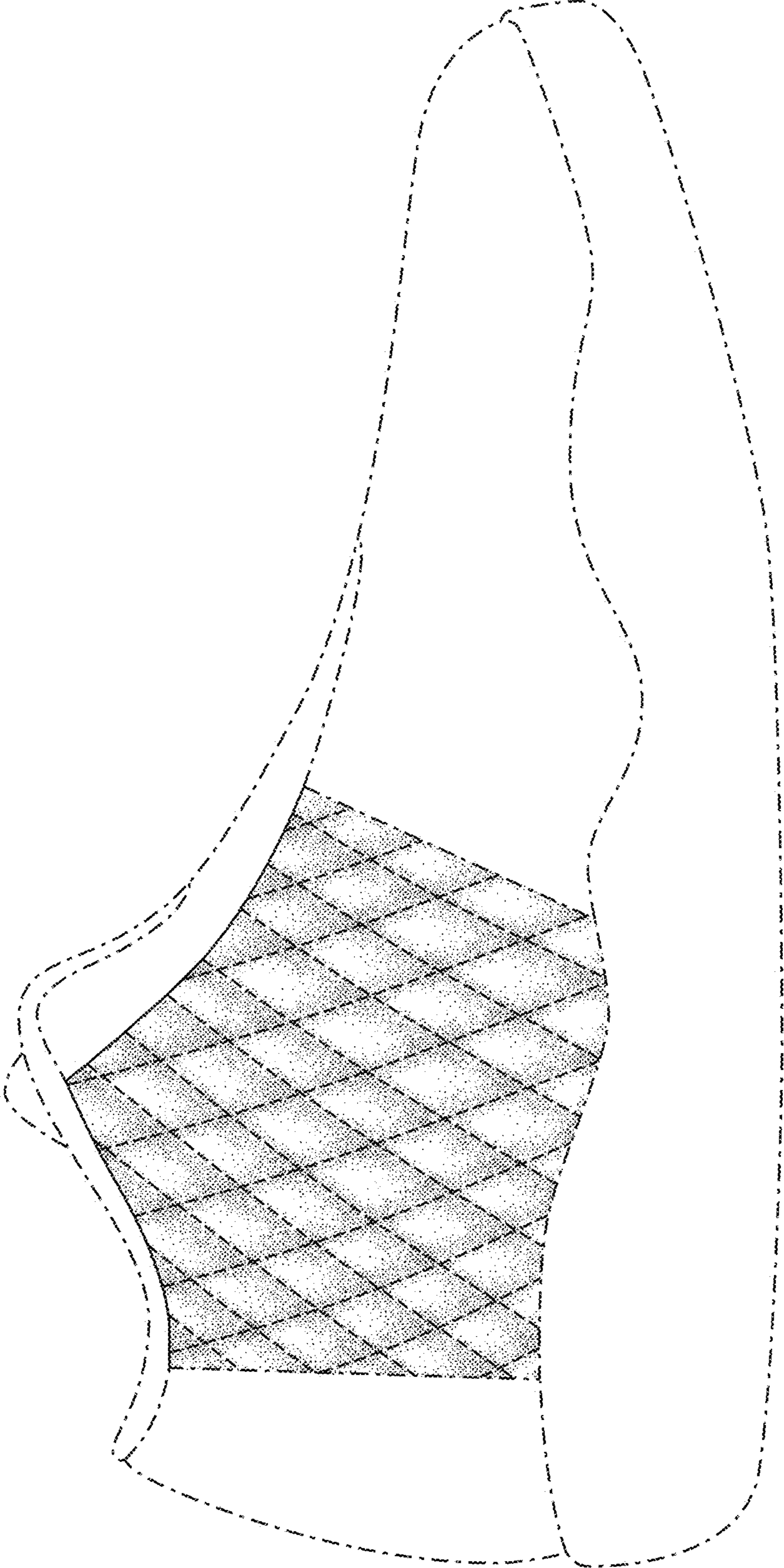


FIG. 2

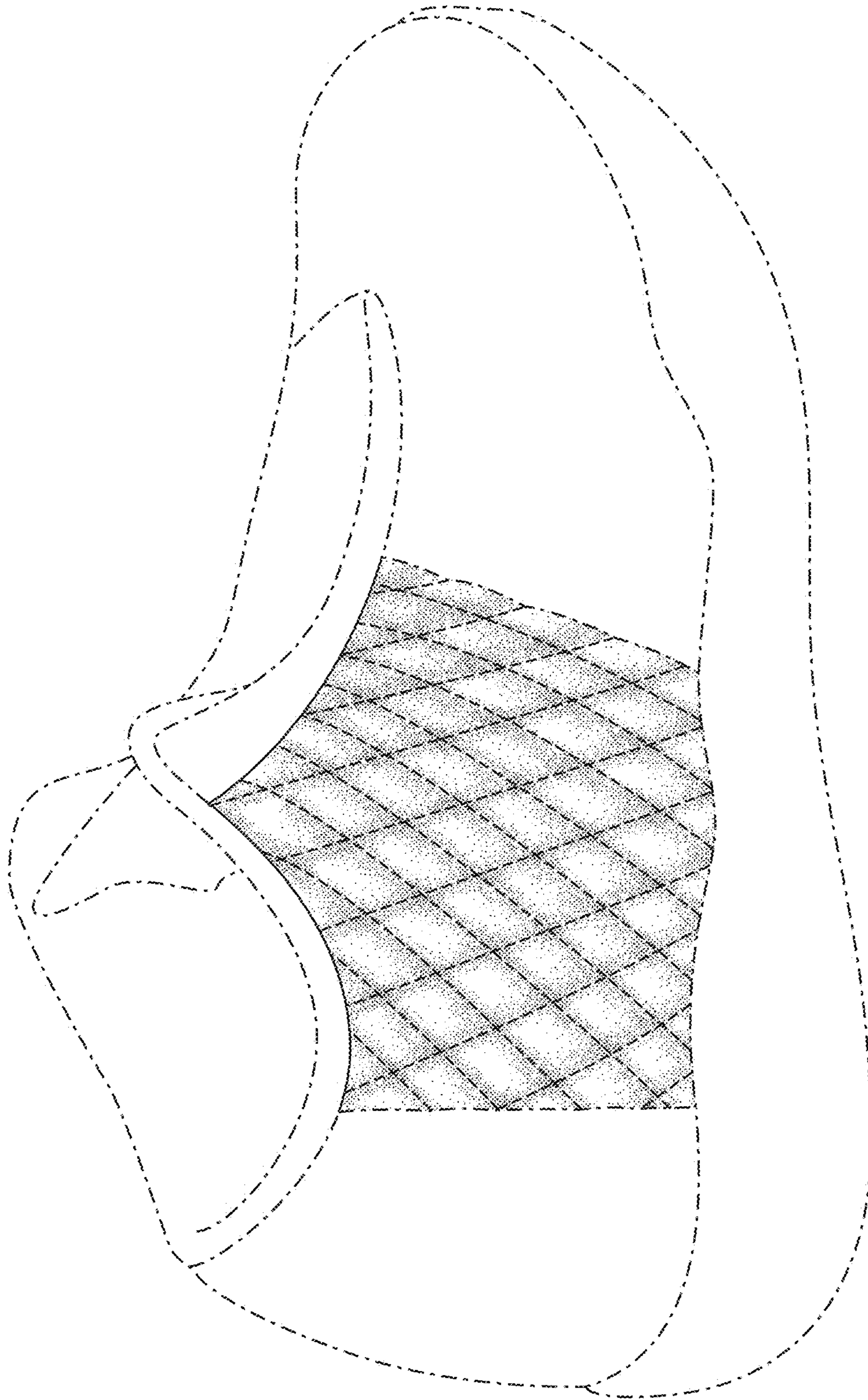


FIG. 3

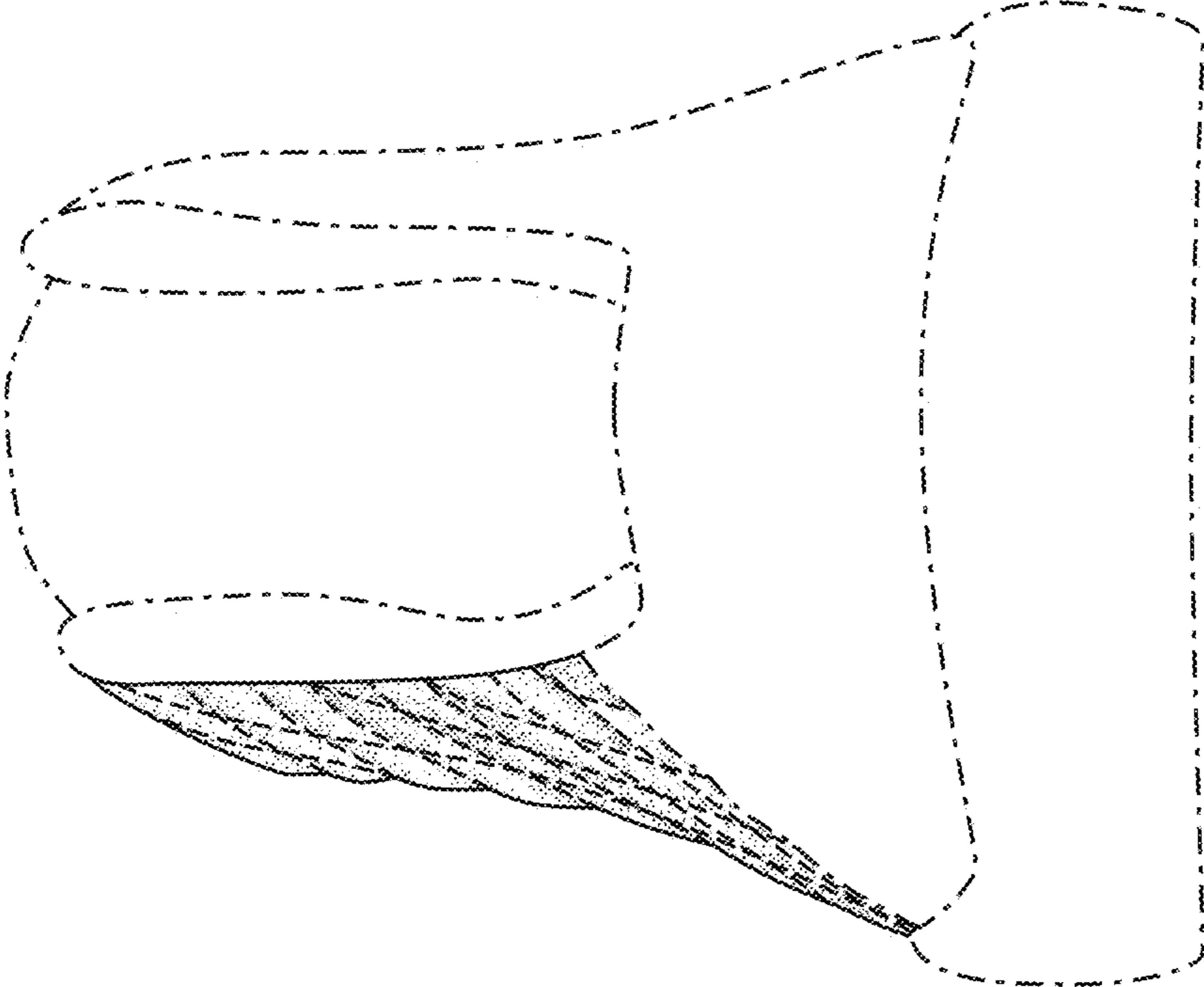


FIG. 4