



US00D809758S

(12) **United States Design Patent**
Tæstensen et al.

(10) **Patent No.:** **US D809,758 S**
(45) **Date of Patent:** **** Feb. 13, 2018**

(54) **SOLE FOR FOOTWEAR**
(71) Applicant: **ECCO SKO A/S**, Bredebro (DK)
(72) Inventors: **Niki Tæstensen**, Bredebro (DK);
Savino Paolo Bove, Bredebro (DK)
(**) Term: **15 Years**
(21) Appl. No.: **35/501,920**

D569,088 S *	5/2008	Poetsch	D2/949
D616,641 S *	6/2010	Martinez	D2/961
D636,571 S *	4/2011	Avar	D2/951
D728,910 S *	5/2015	Hansen	D2/951
D733,412 S *	7/2015	Lonigan	D2/947
D754,956 S *	5/2016	McCourt	D2/947
D778,558 S *	2/2017	Kasprzak	D2/947
D794,932 S *	8/2017	Parrett	D2/951
D797,425 S *	9/2017	Wegener	D2/951
D798,559 S *	10/2017	Pauk	D2/947
2014/0150298 A1 *	6/2014	Crowley	A43B 7/1445 36/103

(22) Filed: **Oct. 20, 2016**

* cited by examiner

(80) **Hague Agreement Data**

Int. Filing Date: **Oct. 20, 2016**
Int. Reg. No.: **DM/093327**
Int. Reg. Date: **Oct. 20, 2016**
Int. Reg. Pub. Date: **Nov. 18, 2016**

Primary Examiner — George D Kirschbaum
Assistant Examiner — Jennifer Watkins

(51) **LOC (11) Cl.** **02-04**
(52) **U.S. Cl.**
USPC **D2/951**

(57) **CLAIM**

The ornamental design for a sole for footwear, as shown and described.

(58) **Field of Classification Search**
USPC D2/896, 902, 905, 906, 907, 908, 943,
D2/944, 945, 947, 951, 960, 972, 959
CPC ... A43B 13/141; A43B 23/0235; A43B 13/16;
A43B 13/181; A43B 13/184; A43B
13/187; A43B 13/188
See application file for complete search history.

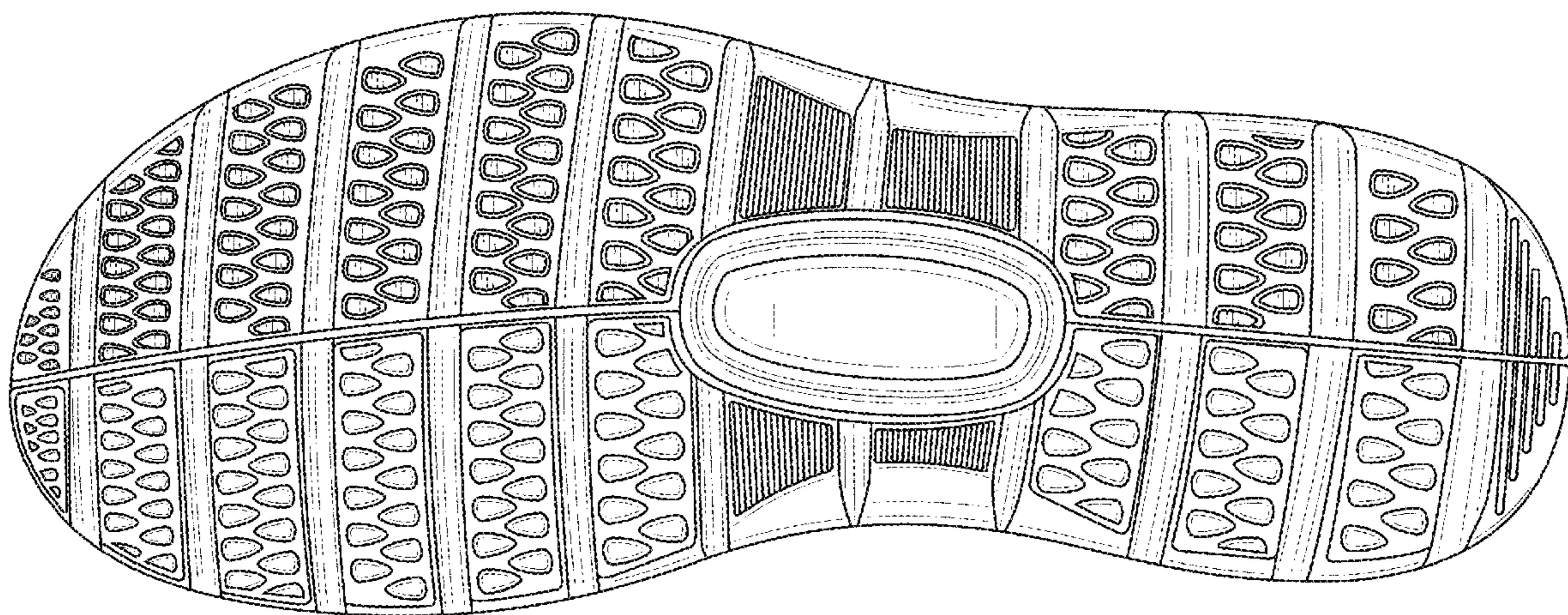
DESCRIPTION

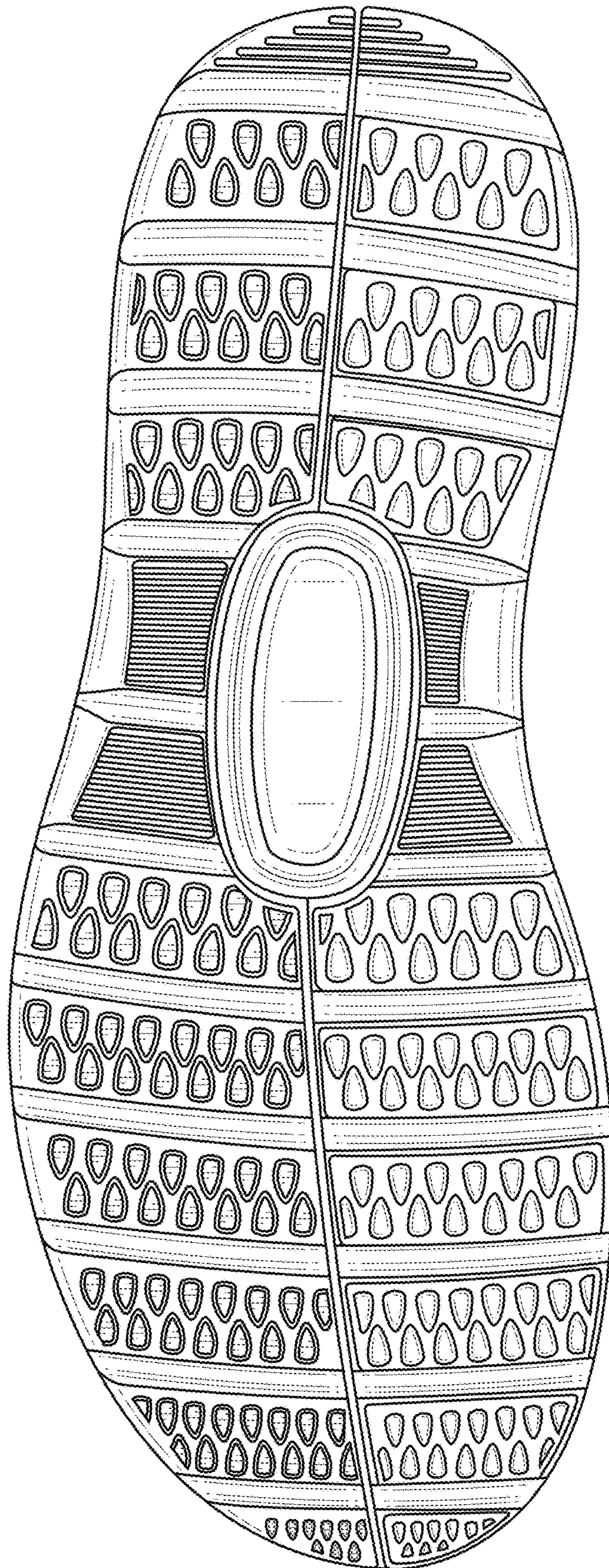
FIG. 1.0 is a bottom, plan view of a sole for footwear showing my new design;
FIG. 2.1 is a left rear perspective view thereof;
FIG. 2.2 is a front right elevation view thereof;
FIG. 2.3 is a rear perspective view thereof;
FIG. 2.4 is a left side elevation view thereof; and,
FIG. 2.5 is a right side elevation view thereof.
The broken lines of even length shown in the drawings illustrate portions of the shoe that form no part of the claimed design. The broken lines of uneven length illustrate the boundary of the claimed design and form no part thereof.

(56) **References Cited**
U.S. PATENT DOCUMENTS

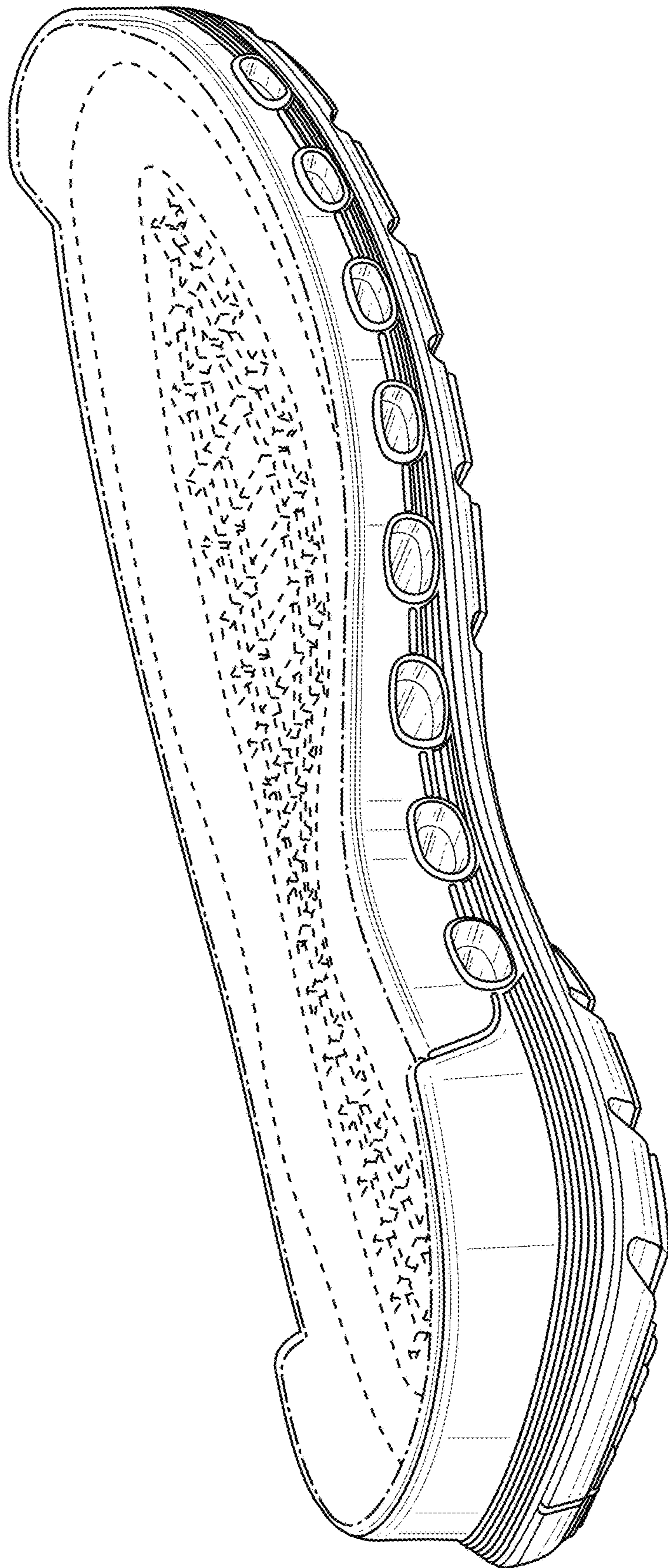
D388,594 S *	1/1998	Turner	D2/951
D473,698 S *	4/2003	St-Louis	D2/953

1 Claim, 6 Drawing Sheets

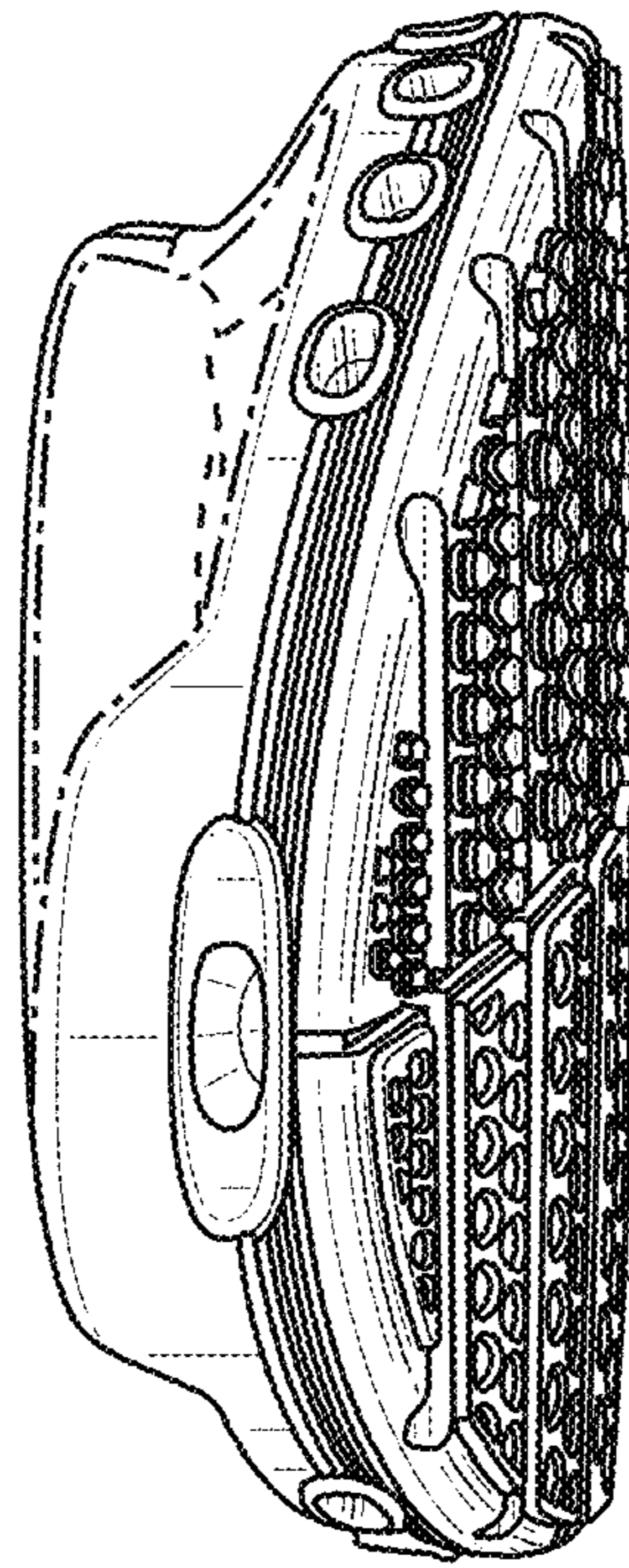




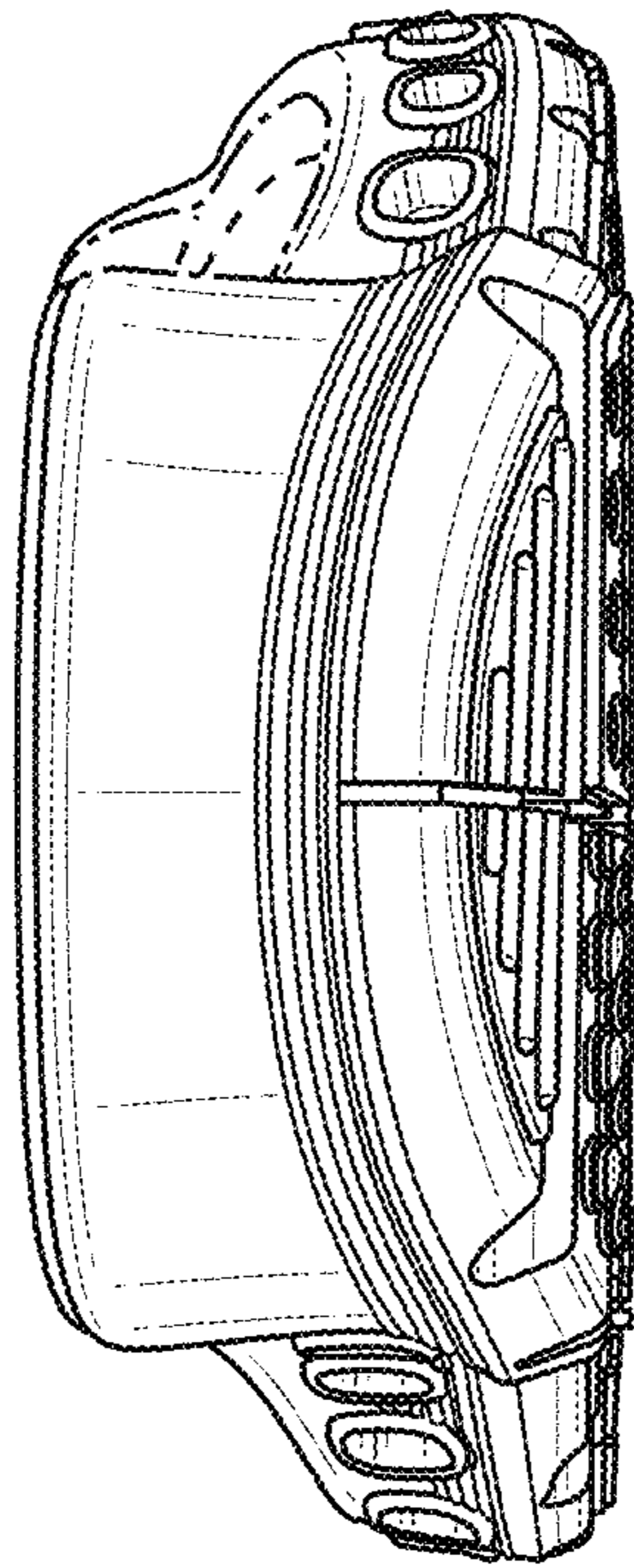
1.0



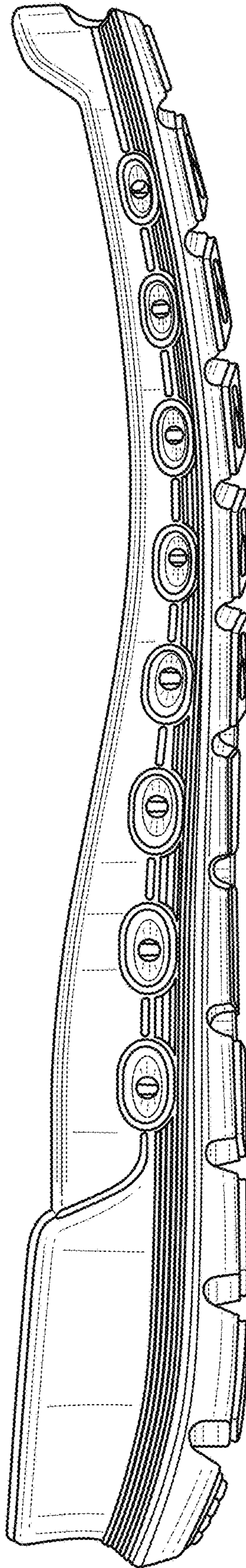
2.1



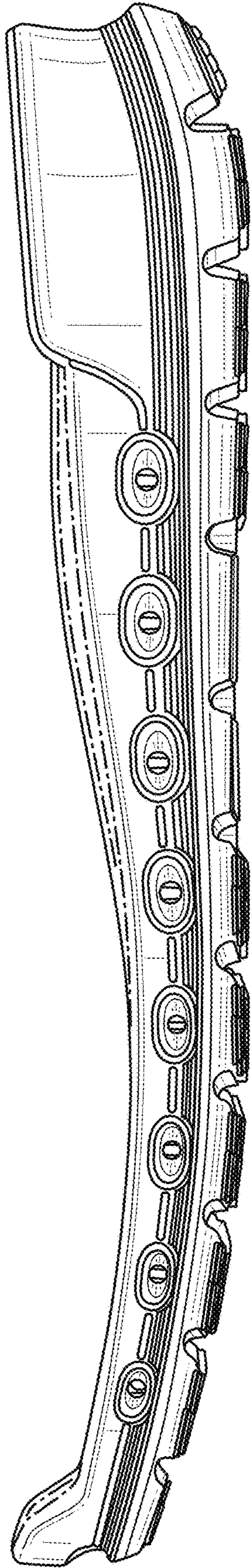
2.2



2.3



2.4



2.5

UNITED STATES PATENT AND TRADEMARK OFFICE
CERTIFICATE OF CORRECTION

PATENT NO. : D809,758 S
APPLICATION NO. : 35/501920
DATED : February 13, 2018
INVENTOR(S) : Niki Tæstensen et al.

Page 1 of 1

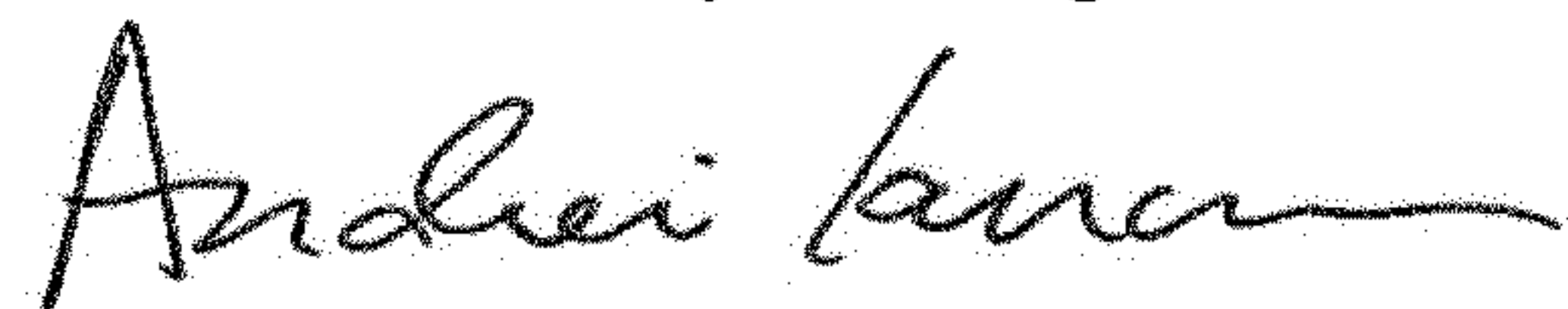
It is certified that error appears in the above-identified patent and that said Letters Patent is hereby corrected as shown below:

On the Title Page

Column 2, below “Assistant Examiner – Jennifer Watkins”, insert:

--(74) *Attorney, Agent, or Firm* – Finnegan, Henderson, Farabow, Garrett & Dunner LLP--.

Signed and Sealed this
Twentieth Day of August, 2019



Andrei Iancu
Director of the United States Patent and Trademark Office