



US00D809748S

(12) **United States Design Patent**
Fleming et al.

(10) **Patent No.:** **US D809,748 S**

(45) **Date of Patent:** **** Feb. 13, 2018**

(54) **BUMP CAP**

(71) Applicant: **JSP Limited**, Minster Lovell, Witney,
Oxfordshire (GB)

(72) Inventors: **Richard Fleming**, Minster Lovell (GB);
Stephen John Hare, Minster Lovell
(GB)

(73) Assignee: **JSP LIMITED**, Minster Lovell (GB)

(**) Term: **15 Years**

(21) Appl. No.: **29/553,120**

(22) Filed: **Jan. 28, 2016**

(30) **Foreign Application Priority Data**

Sep. 23, 2015 (EP) 002778175
Nov. 3, 2015 (EP) 002846436

(51) **LOC (11) Cl.** **02-03**

(52) **U.S. Cl.**
USPC **D2/882**

(58) **Field of Classification Search**
USPC D2/865, 866, 872, 873, 875, 876, 879,
D2/882, 884, 886, 888, 890; D29/102,
D29/104
CPC A42B 1/00; A42B 1/02; A42B 1/04; A42B
1/062; A42B 1/22
See application file for complete search history.

(56) **References Cited**

U.S. PATENT DOCUMENTS

D142,162 S * 8/1945 Donnenberg D2/865
D160,404 S * 10/1950 Levine 2/195.1
2,716,753 A * 9/1955 Gordon A42B 1/201
2/172
3,176,314 A * 4/1965 Perry A42B 3/227
2/411
D340,796 S * 11/1993 Oates D2/882
D349,183 S * 8/1994 Harbison D2/870

D417,770 S * 12/1999 Greenwood D2/882
D491,714 S * 6/2004 Upcott D2/875
D517,285 S * 3/2006 Williams, Jr. D2/872
D541,509 S * 5/2007 Sprowl D2/886

(Continued)

FOREIGN PATENT DOCUMENTS

JP D1561243 * 10/2016

OTHER PUBLICATIONS

JSP ABS150 HardCap A1+, [on-line]; [review posted to the Internet
on Apr. 23, 2014]; [retrieved from the Internet on Mar. 6, 2017];
URL: <[https://www.fullsource.com/jsp-282-abs150-62/
?gclid=CKq_jShwtICFciNswoduAgFVA](https://www.fullsource.com/jsp-282-abs150-62/?gclid=CKq_jShwtICFciNswoduAgFVA)>. (2 pages).*

(Continued)

Primary Examiner — Thomas Johannes

Assistant Examiner — Jasmine Mlinarcik

(74) *Attorney, Agent, or Firm* — King & Schickli, PLLC

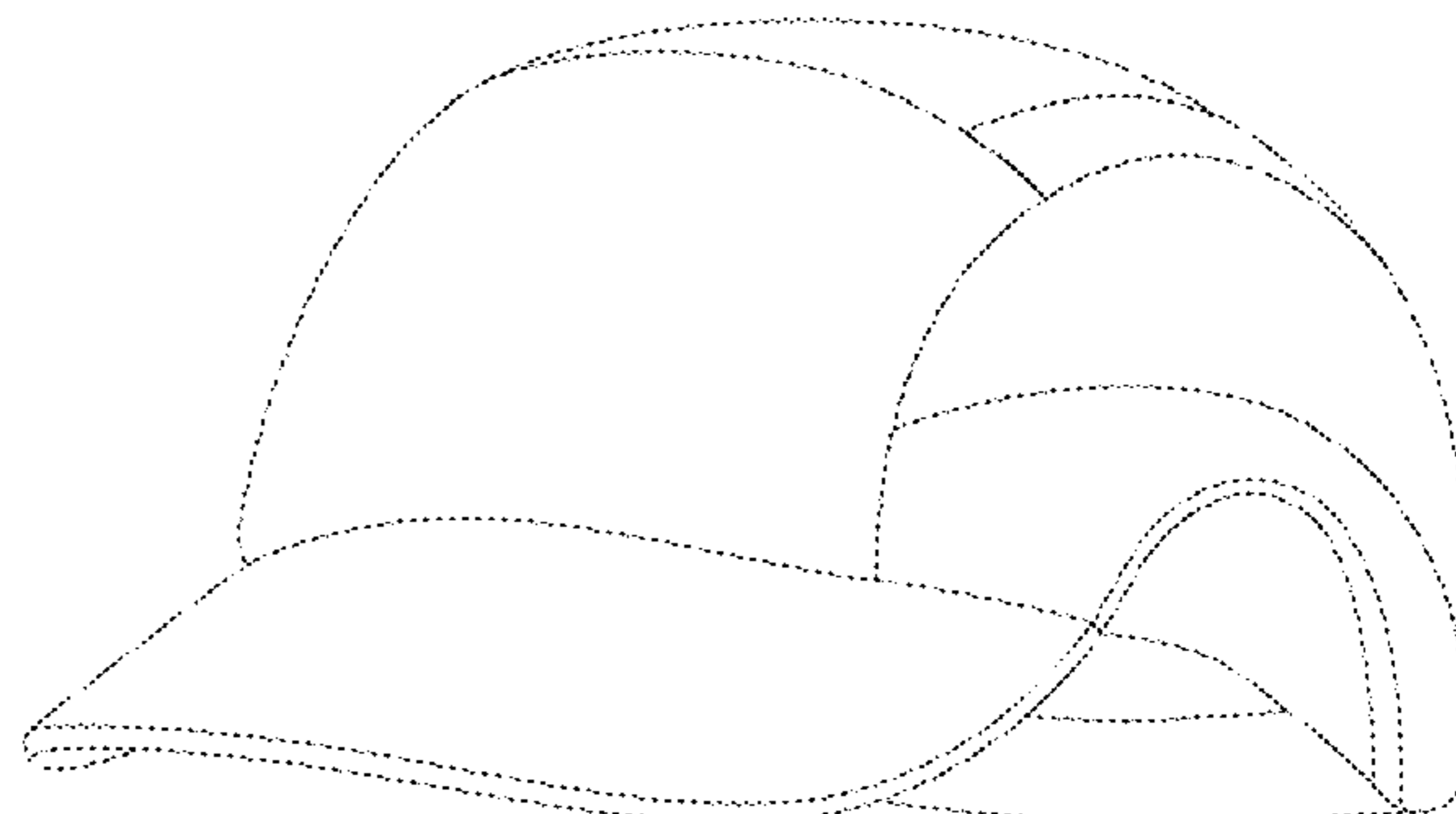
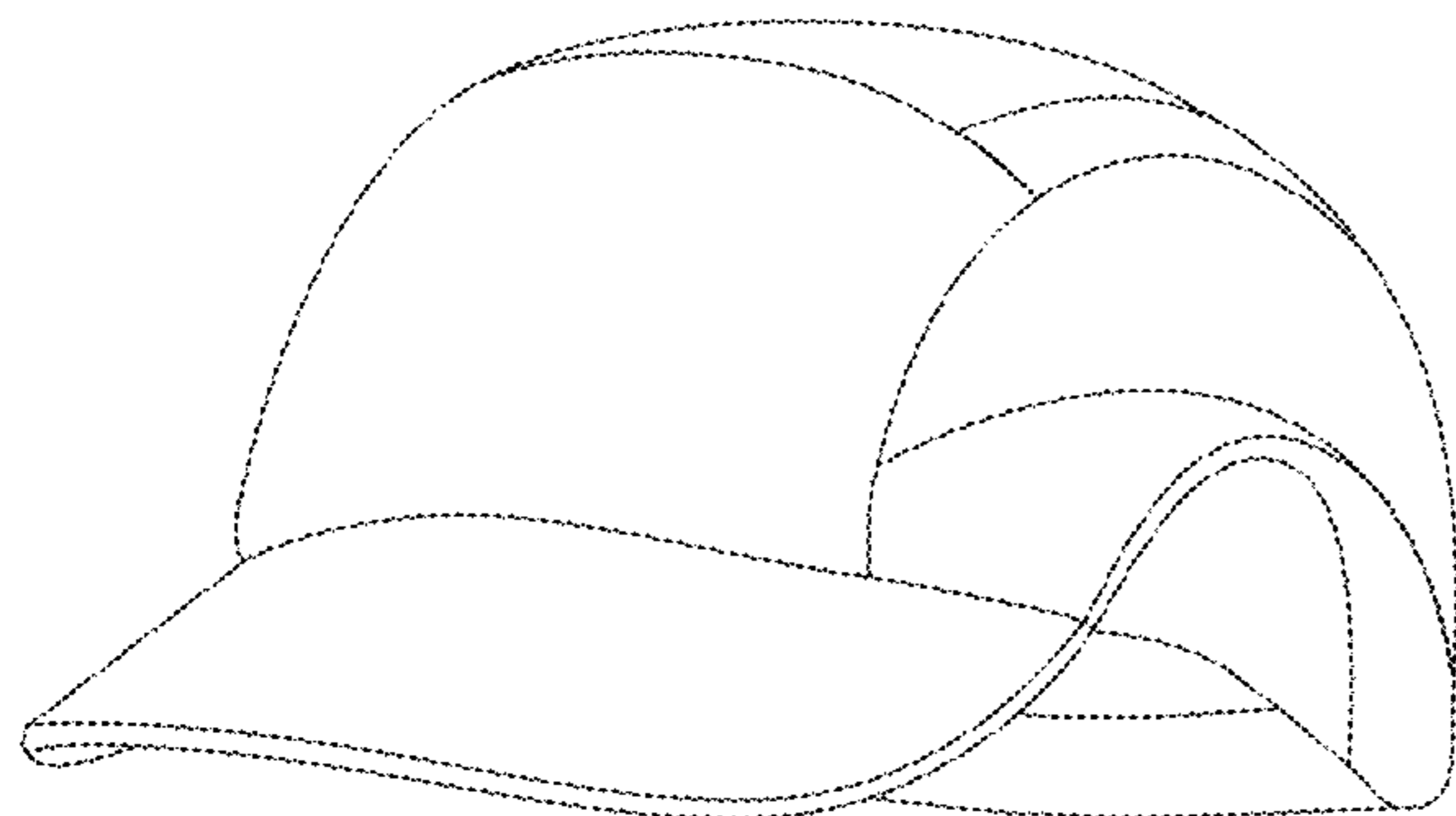
(57) **CLAIM**

The ornamental design for a bump cap, as shown and
described.

DESCRIPTION

FIG. 1 is a front isometric view of the design;
FIG. 2 is a front elevation view of the design;
FIG. 3 is a side elevation view of the design;
FIG. 4 is a top plan view of the design;
FIG. 5 is a bottom plan view of the design;
FIG. 6 is a rear elevation view of the design;
FIG. 7 is a front isometric view of the second embodiment
of the design;
FIG. 8 is a front elevation view of the design;
FIG. 9 is a side elevation right view of the design;
FIG. 10 is a top plan view of the design;
FIG. 11 is a bottom plan view of the design; and,
FIG. 12 is a rear elevation view of the design.

1 Claim, 6 Drawing Sheets



(56)

References Cited

U.S. PATENT DOCUMENTS

D614,380 S * 4/2010 Lam D2/882
D681,926 S * 5/2013 Votel D2/880
D723,249 S * 3/2015 Azam D2/882
D749,269 S * 2/2016 Tutor D29/102
D764,150 S * 8/2016 Lacy D2/882
D776,358 S * 1/2017 Reeves D29/102

OTHER PUBLICATIONS

JSP Ltd Facebook Photo, [on-line]; [published to the Internet on Apr. 25, 2016]; [retrieved from the Internet on May 3, 2017]; URL: <<https://www.facebook.com/JSPLtd/photos/a.362842687108739.82163.166281600098183/1083489171710750/?type=3&theater>>.

(1 page).*

5cm Short Peak Bump Caps, [on-line]; [unknown Internet publication date]; [retrieved from the Internet on May 3, 2017]; URL: <<https://www.jsp.co.uk/link/en/head-protection/hardcap-a1-en812-bump-caps/5cm-short-peak-bump-caps/hardcapa1-5cm-short-peak-red/abs000-000-600/p/?parm=CAT1JSP&prdcod=ABS000-000-600>>. (2 pages).*

* cited by examiner

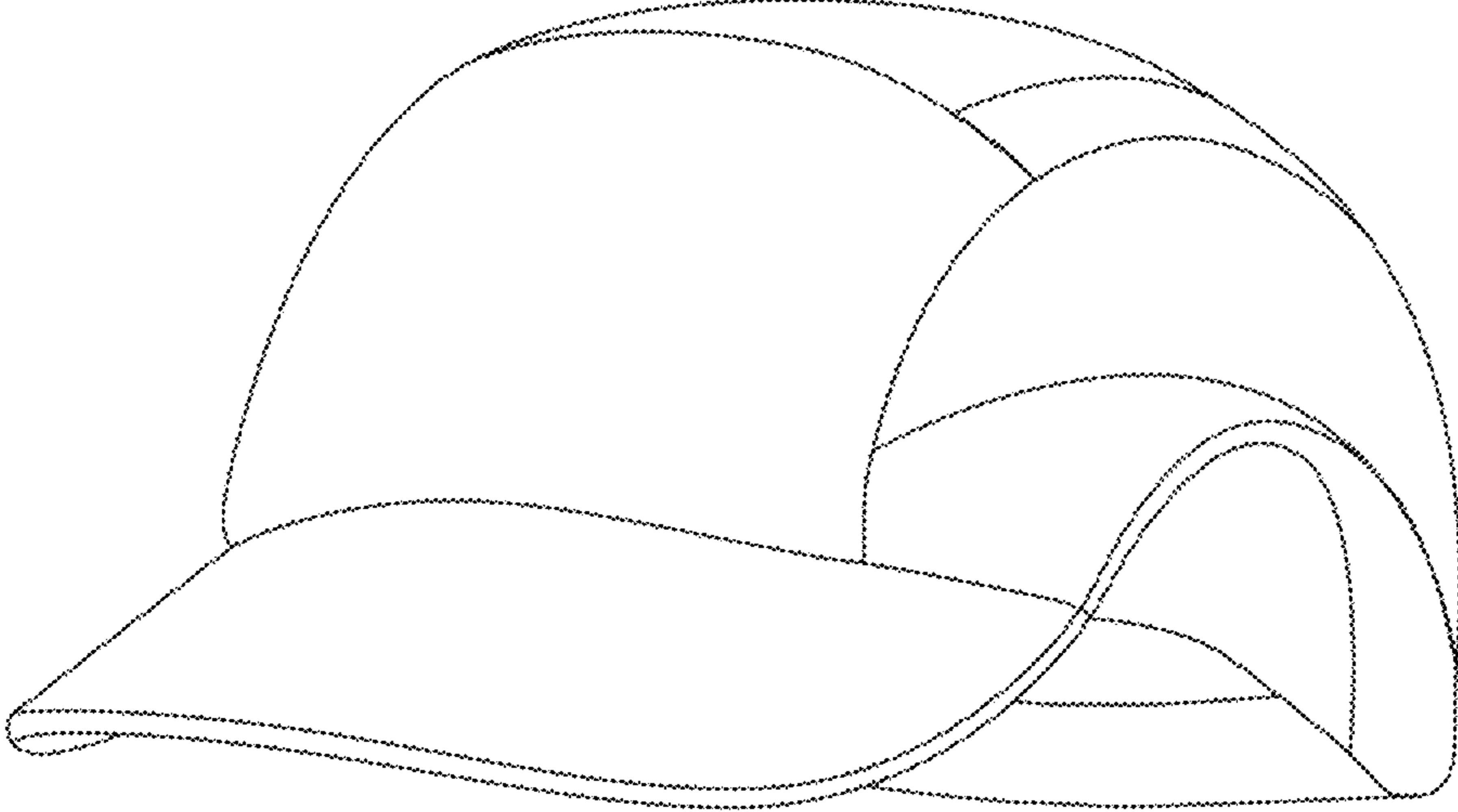


FIG. 1

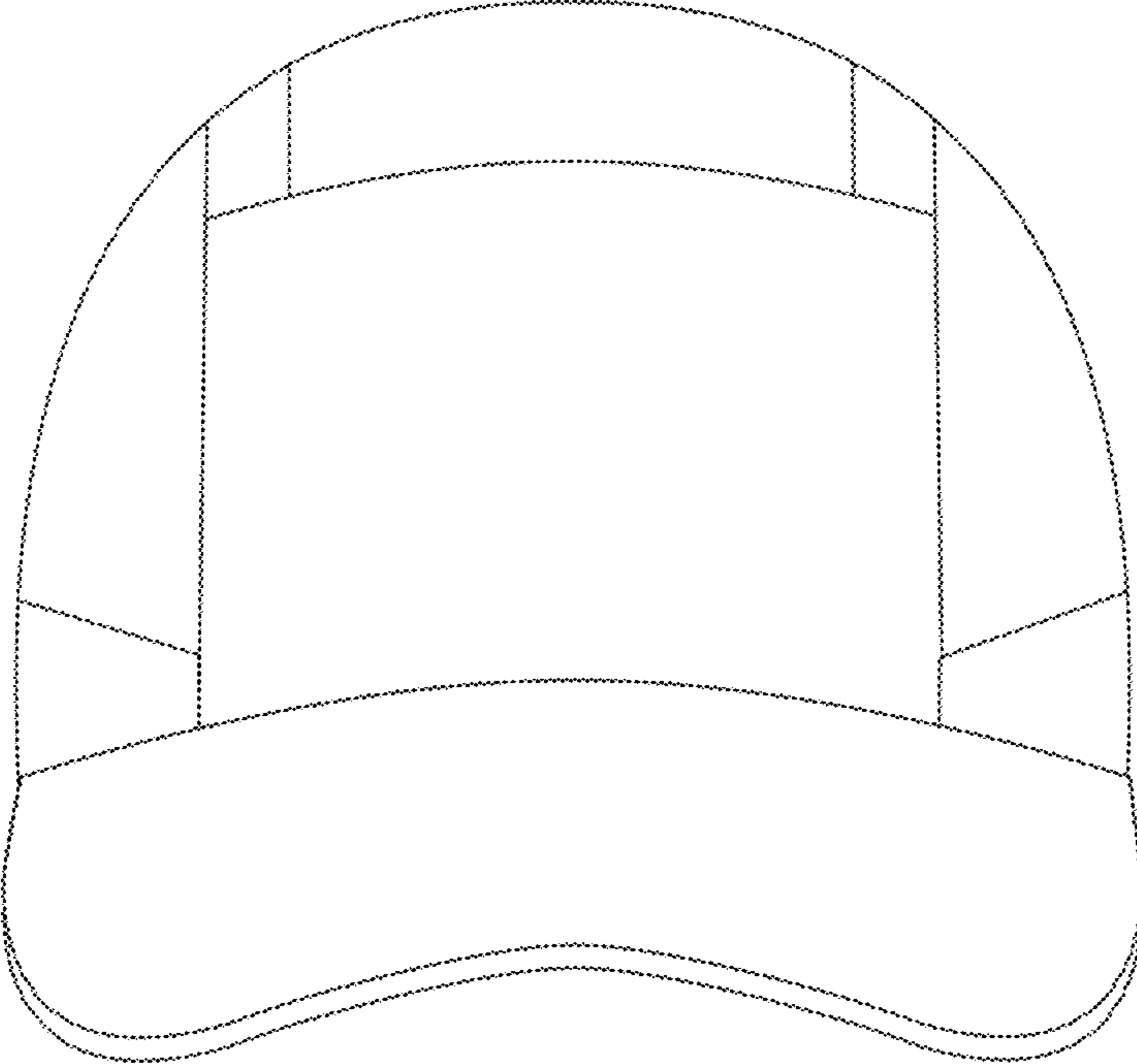


FIG. 2

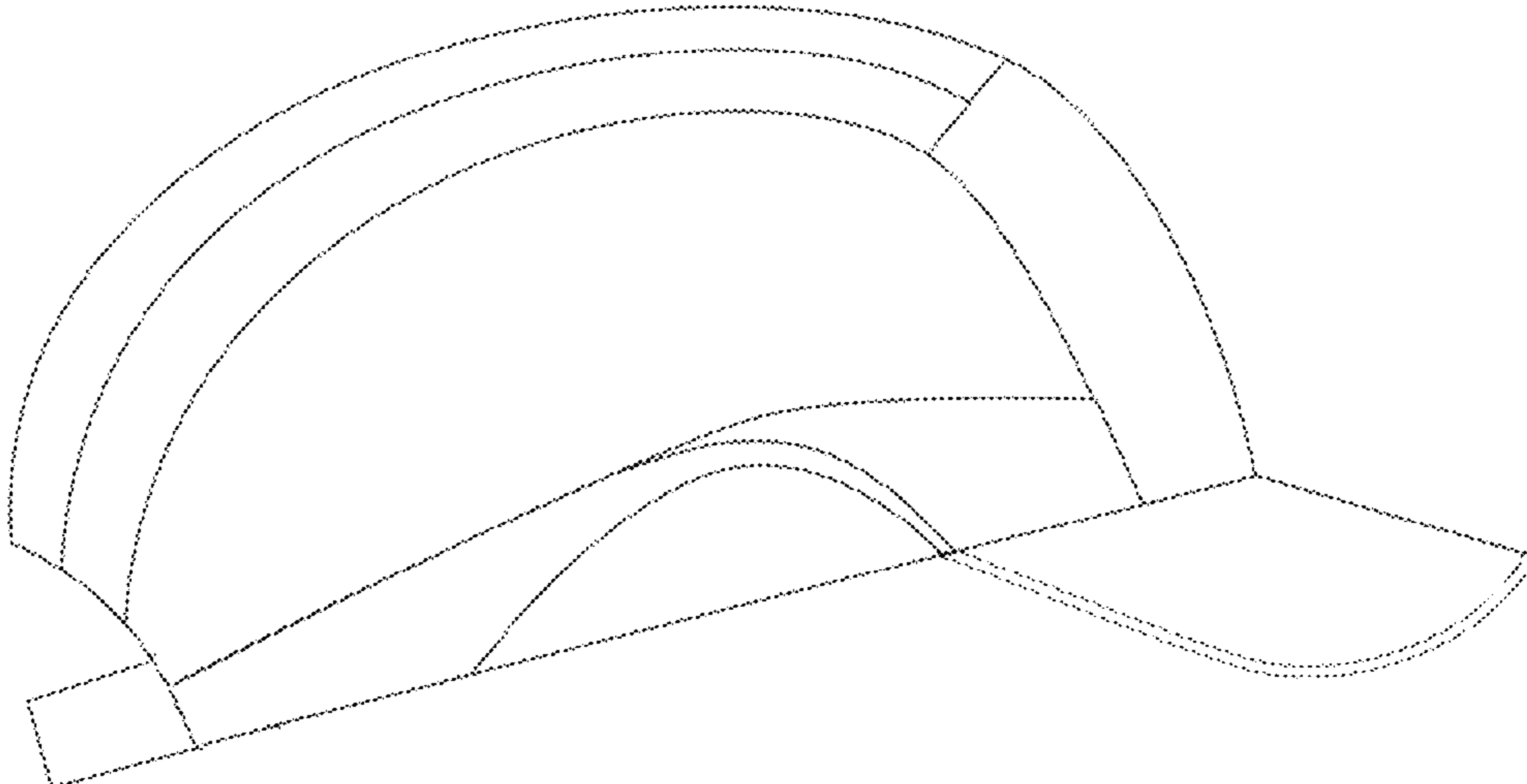


FIG. 3

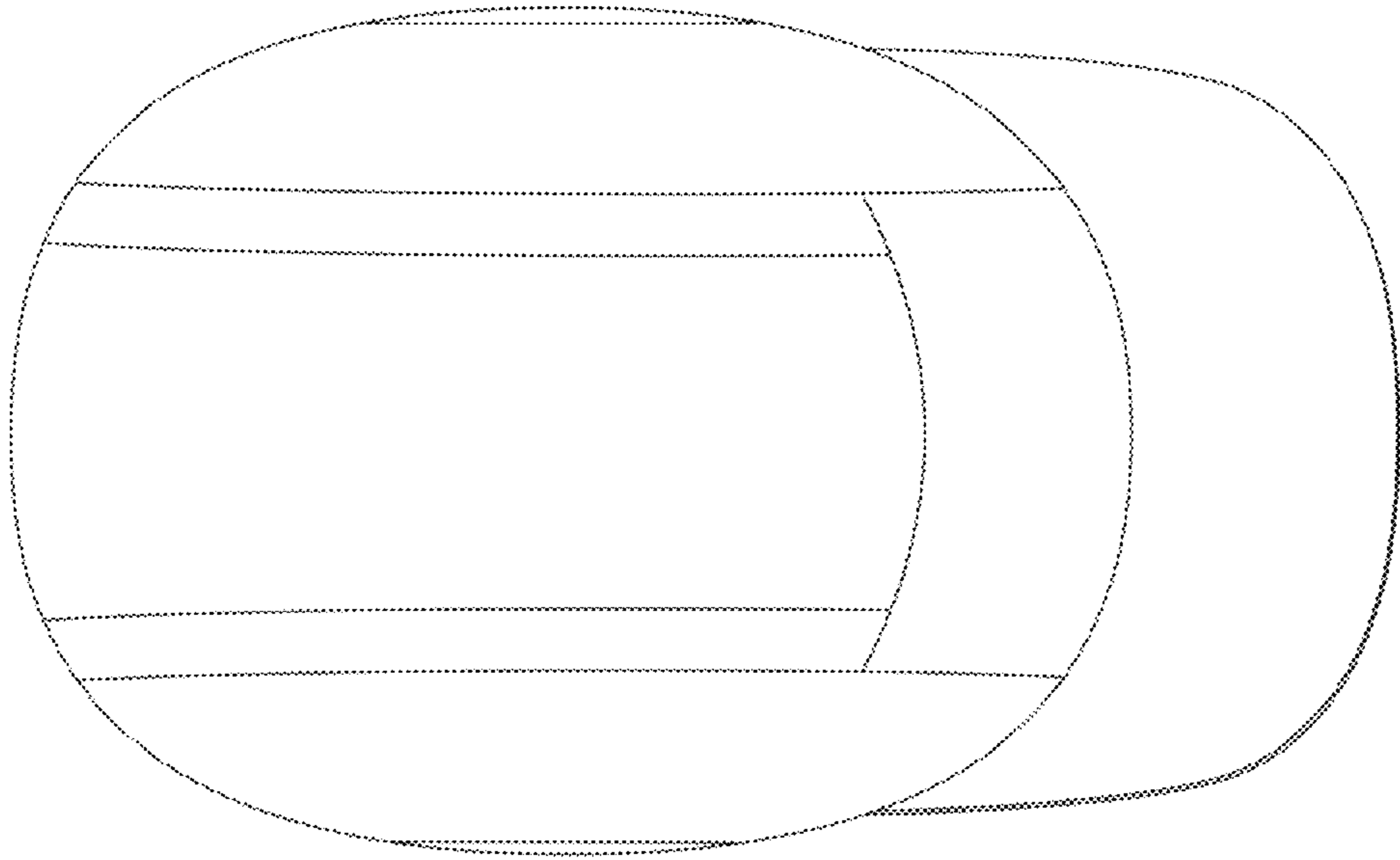


FIG. 4

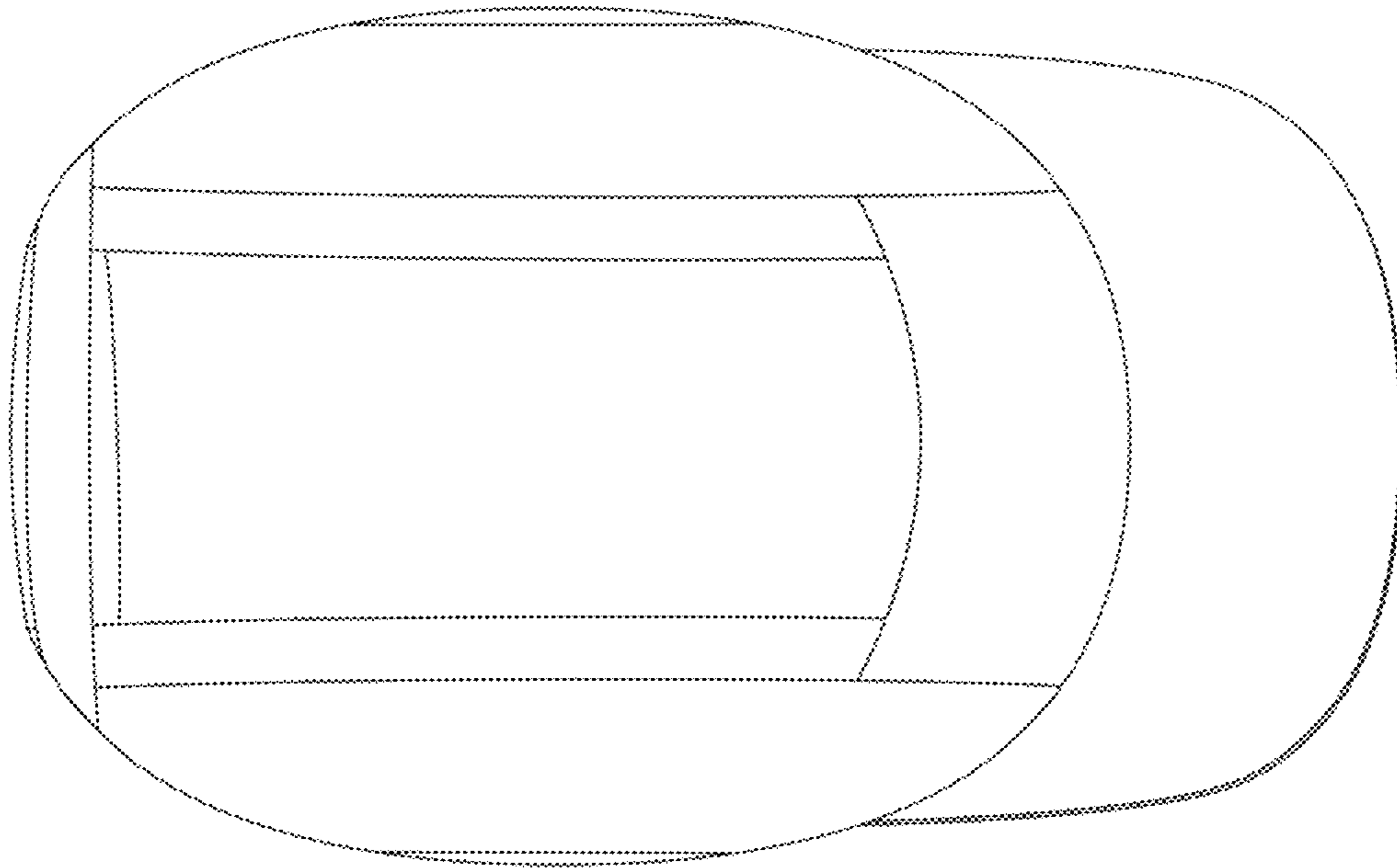


FIG. 5

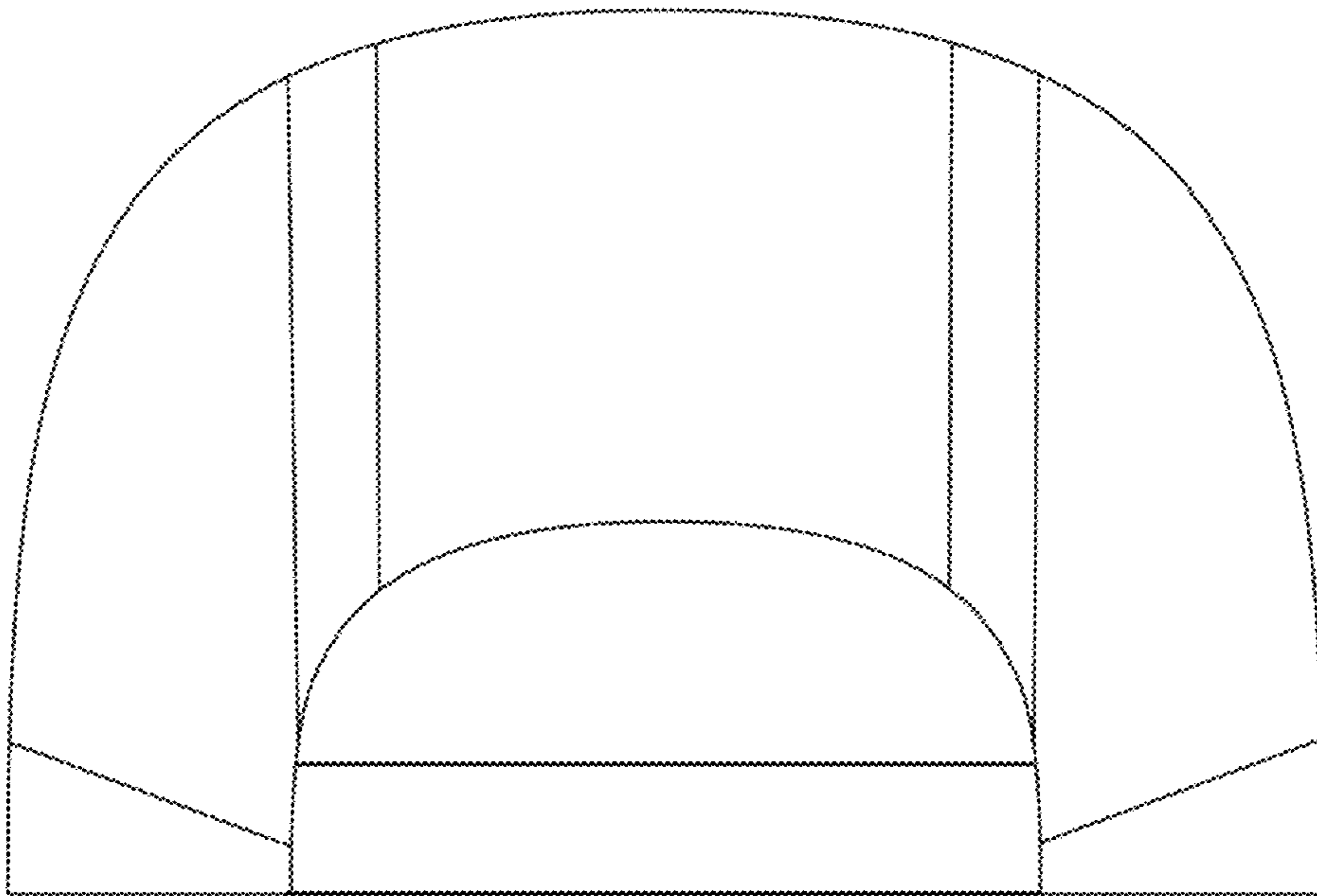


FIG. 6

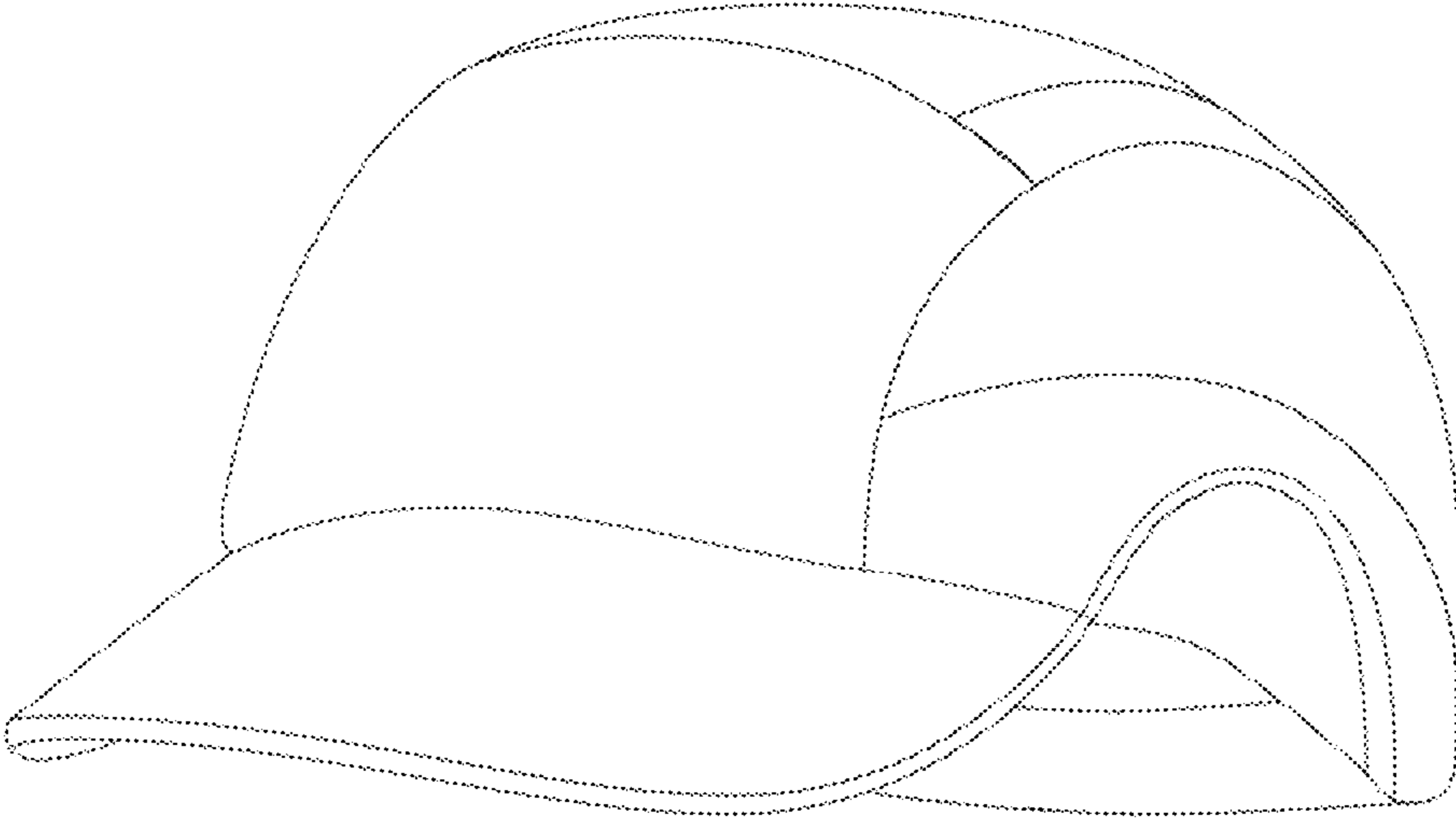


FIG. 7

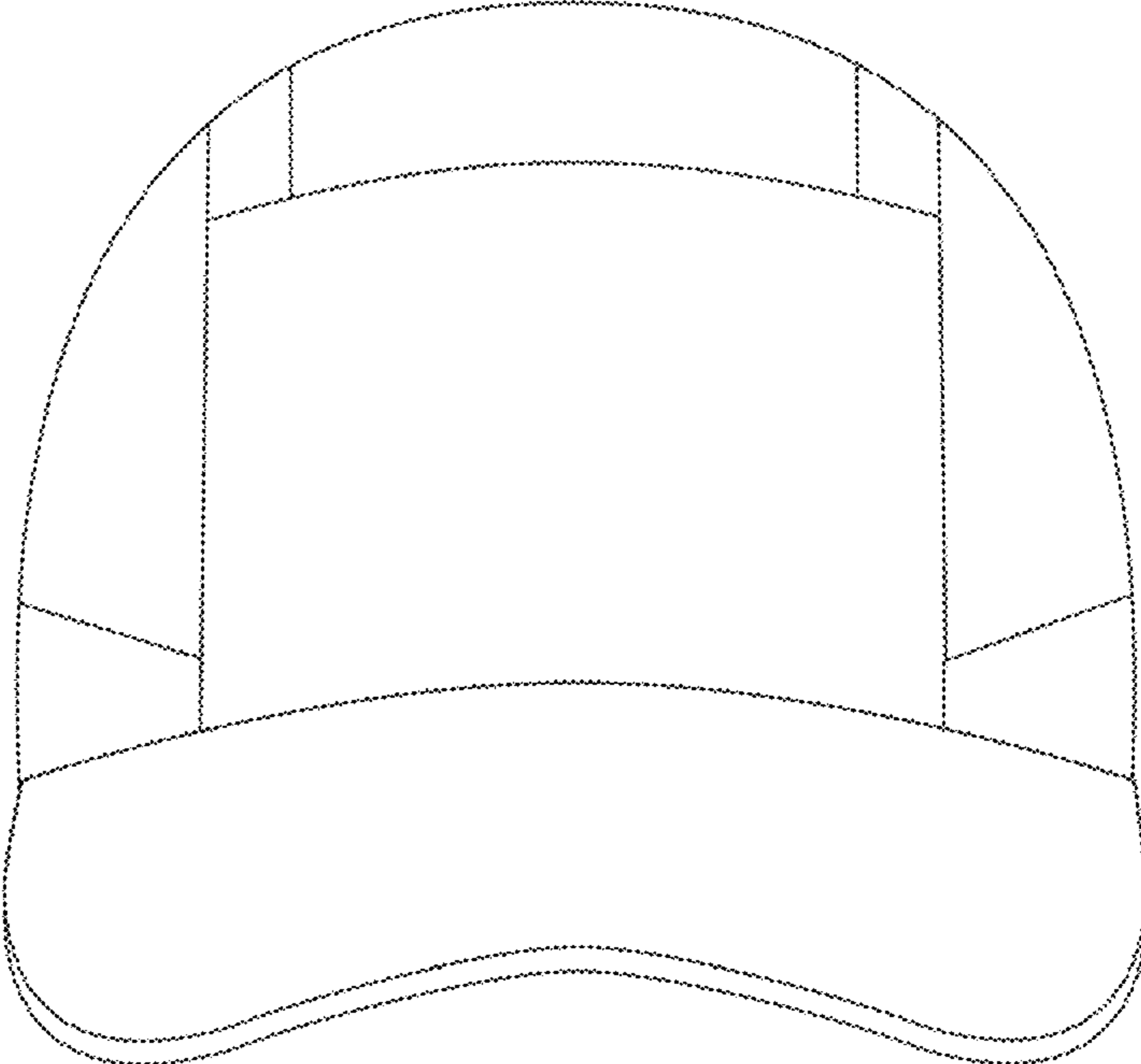


FIG. 8

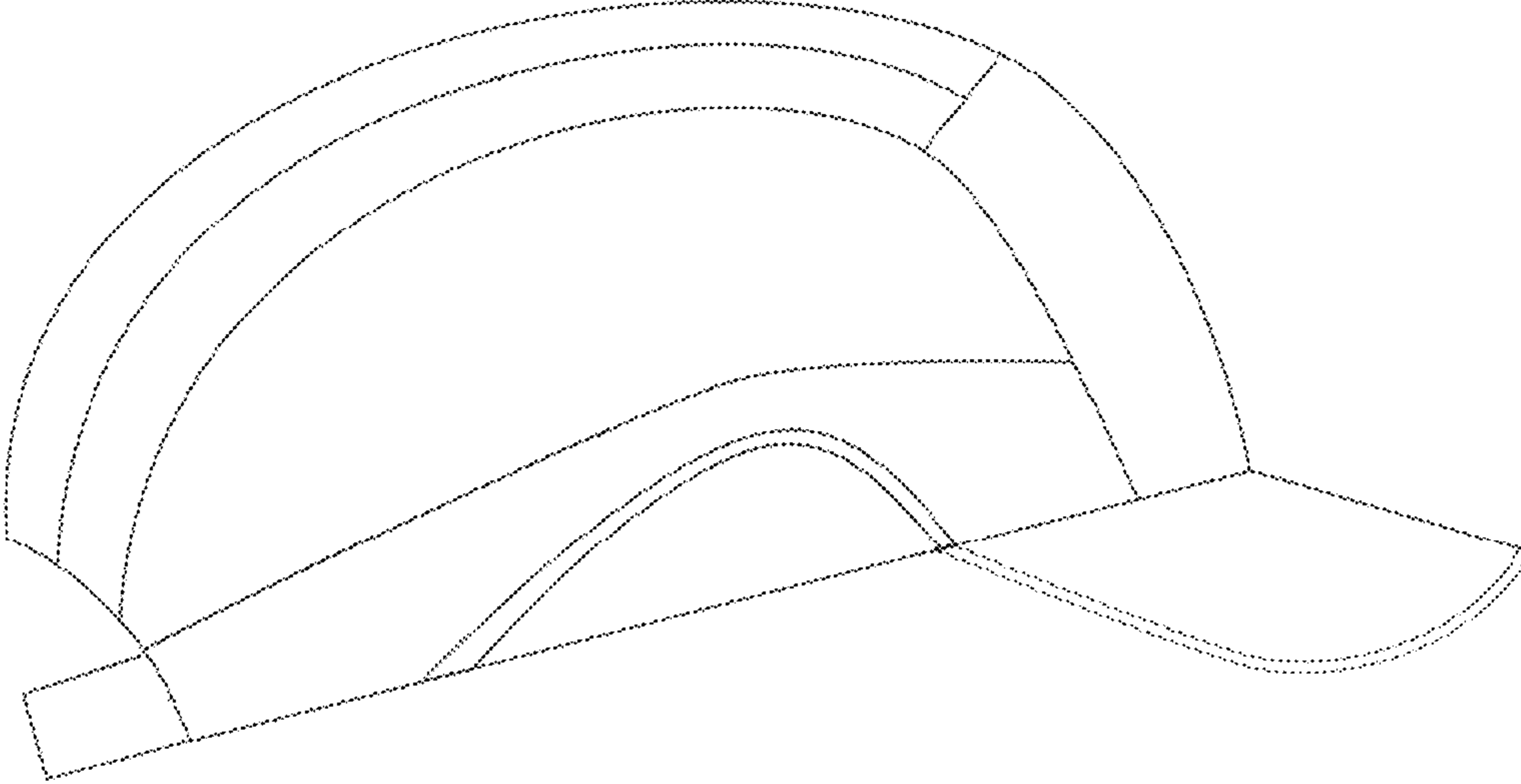


FIG. 9

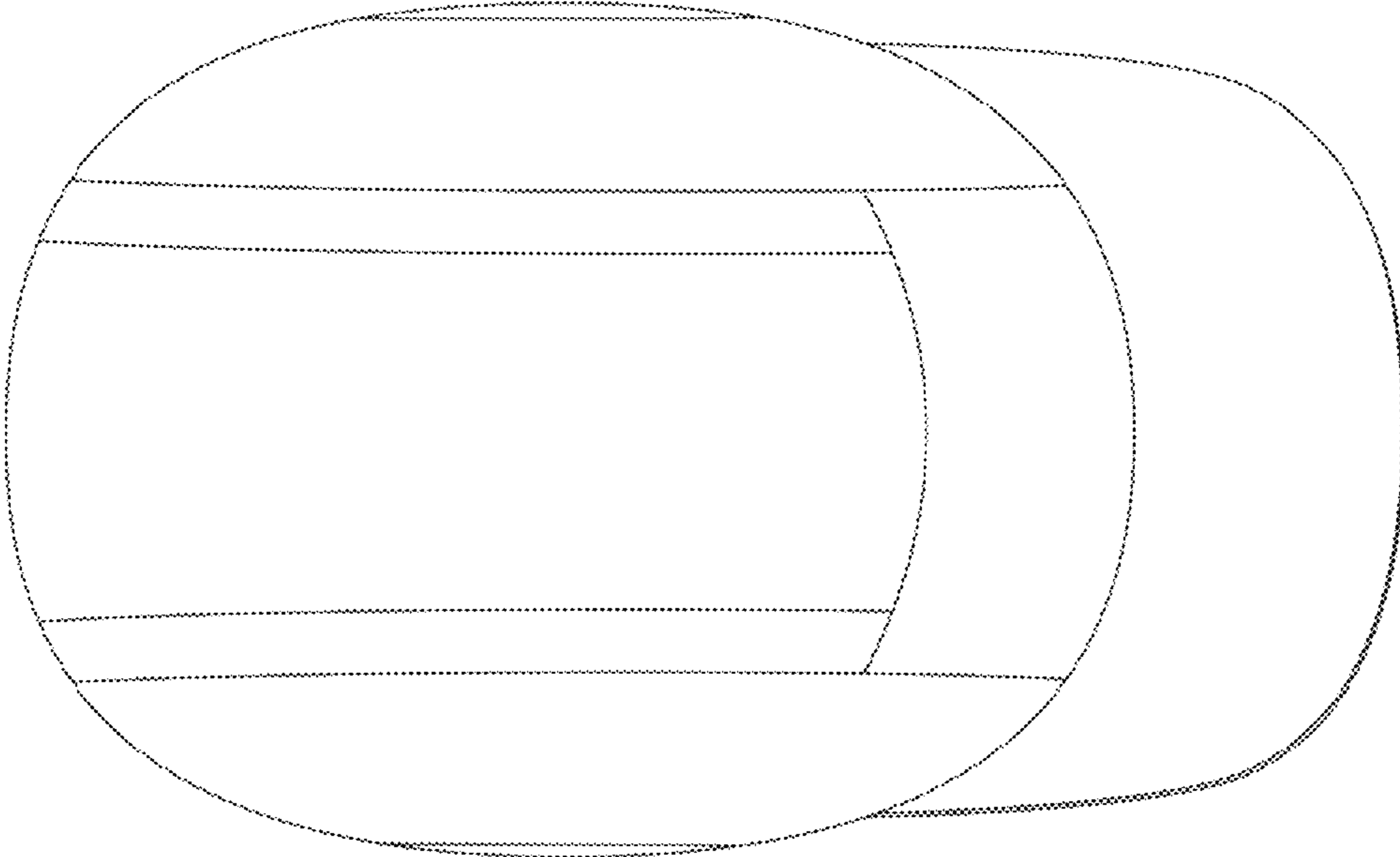


FIG. 10

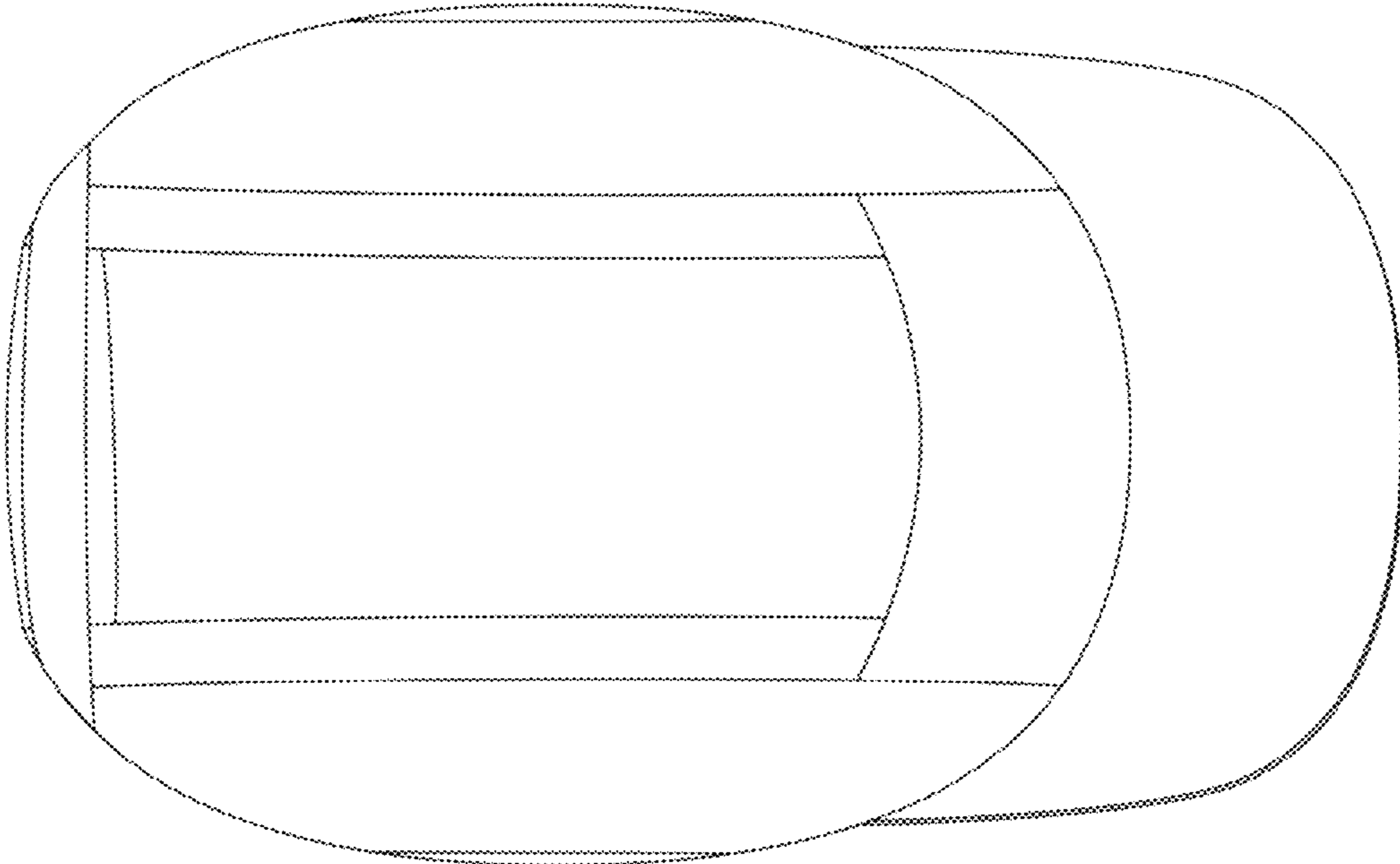


FIG. 11

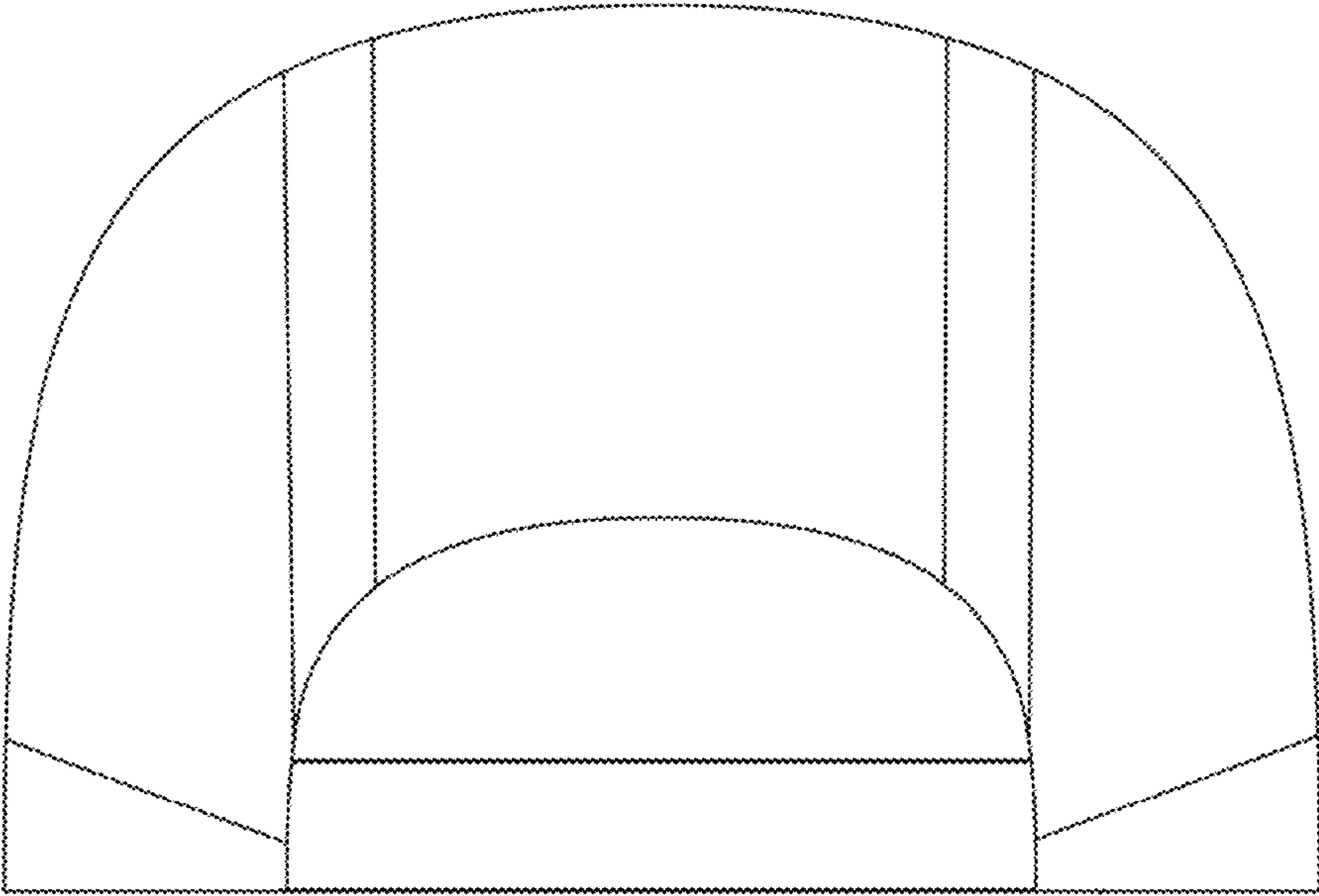


FIG. 12