



US00D809747S

(12) **United States Design Patent** (10) **Patent No.:** **US D809,747 S**  
**Clyburn** (45) **Date of Patent:** **\*\* Feb. 13, 2018**

(54) **COMBINED HOOD AND SCARF**

FOREIGN PATENT DOCUMENTS

(71) Applicant: **Belinda Clyburn**, Atlantic City, NJ  
(US)

GB 3021530 \* 6/2005

(72) Inventor: **Belinda Clyburn**, Atlantic City, NJ  
(US)

OTHER PUBLICATIONS

(\*\*) Term: **15 Years**

Belinda's Hood's, photo [on-line]; [posted to the Internet on Dec. 12, 2014]; [retrieved from the Internet on Mar. 15, 2017]; URL: <<https://www.facebook.com/Belindahoods/photos/a.1374734336158610.1073741825.1374731576158886/1374734352825275/?type=3&theater>>. (1 page).\*

(21) Appl. No.: **29/553,745**

(Continued)

(22) Filed: **Feb. 4, 2016**

(51) **LOC (11) Cl.** ..... **02-03**

*Primary Examiner* — Karen E Eldridge Powers

(52) **U.S. Cl.**

*Assistant Examiner* — Jasmine Mlinarcik

USPC ..... **D2/880**; D2/501

(74) *Attorney, Agent, or Firm* — Norman E. Lehrer

(58) **Field of Classification Search**

USPC ..... D2/500, 501, 502, 508, 600, 825, 865,  
D2/866, 867, 878, 879, 880, 881;  
D29/108

(57) **CLAIM**

CPC .. A42B 1/00; A42B 1/04; A42B 1/041; A42B  
1/045; A42B 1/046; A42B 1/048; A42B  
1/064; A42B 1/066; A42B 1/12; A42B  
7/00

The ornamental design for a combined hood and scarf, as shown and described.

See application file for complete search history.

**DESCRIPTION**

(56) **References Cited**

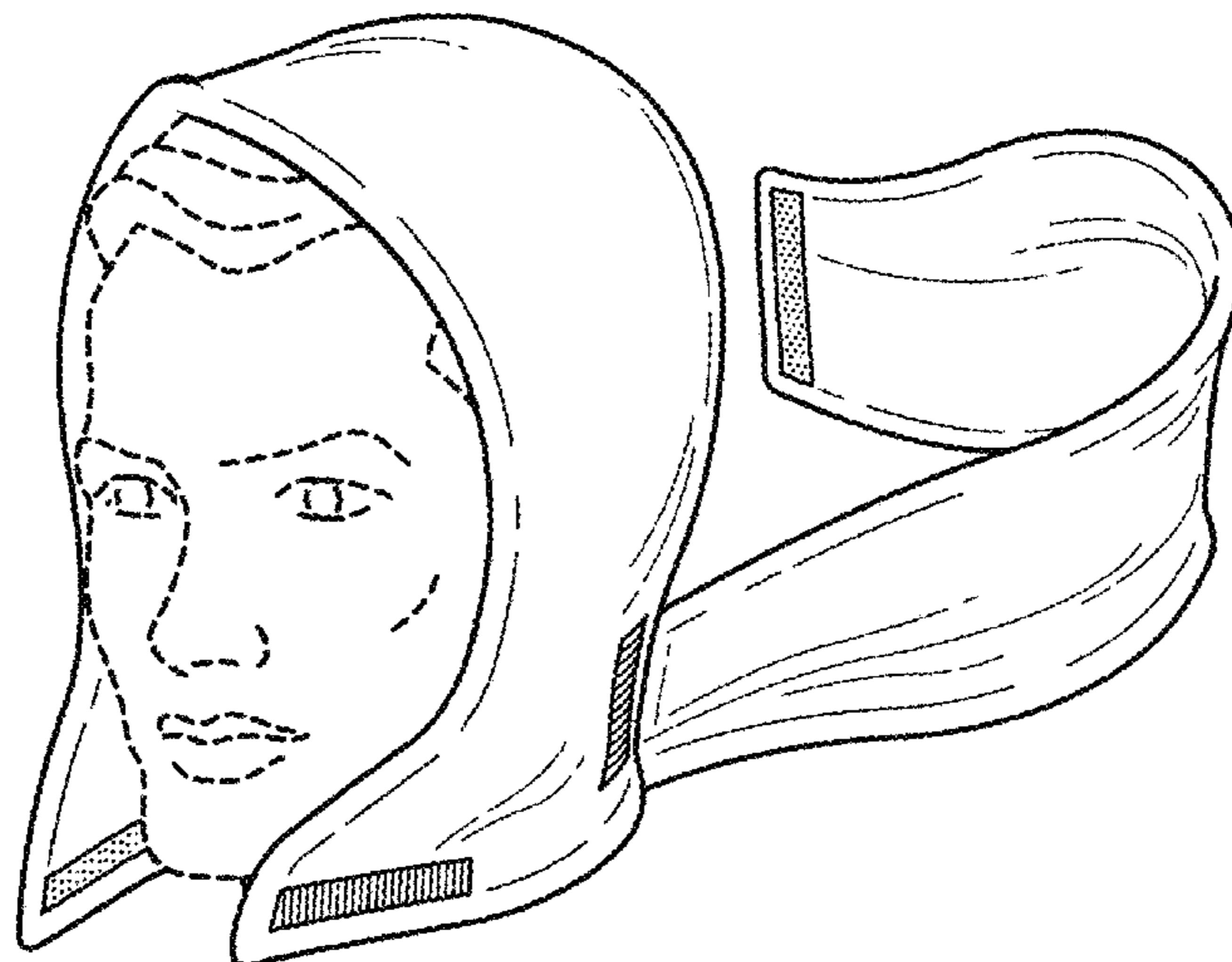
U.S. PATENT DOCUMENTS

1,316,778	A *	9/1919	Ensten	.....	A42B 1/045 2/172
D297,982	S *	10/1988	Coates	.....	D2/880
D309,671	S *	8/1990	Kassel	.....	D2/878
D539,011	S *	3/2007	Molesky	.....	D2/880
D555,330	S *	11/2007	Cass	.....	D2/501
D621,591	S *	8/2010	Gloege	.....	D2/880
D627,130	S *	11/2010	Postulart	.....	D2/500
D629,180	S *	12/2010	Hood	.....	D2/880
D668,842	S *	10/2012	Lumpkin	.....	D2/866
D681,919	S *	5/2013	Phillips	.....	D2/825
8,505,117	B2 *	8/2013	Park	.....	A41D 23/00 2/202

FIG. 1 is a front left side perspective view of a combined hood and scarf showing my new design;  
FIG. 2 is a front left side perspective view thereof, as it may appear when worn and with the scarf portion shown in an open position;  
FIG. 3 is a front left side perspective view thereof, as it may appear when worn with the scarf only being partially wrapped;  
FIG. 4 is a front left side perspective view thereof, as it may appear when worn with the scarf completely wrapped;  
FIG. 5 is a right side plan view of the combined hood and scarf; and,  
FIG. 6 is a left side plan view thereof.  
The partial human figure is environmental structure included to assist in showing how the claimed design may appear when worn, but does not form part of the claimed design.

(Continued)

**1 Claim, 5 Drawing Sheets**



(56)

**References Cited**

U.S. PATENT DOCUMENTS

D693,096 S \* 11/2013 Russo ..... D2/501  
D693,097 S \* 11/2013 Austin ..... D2/878  
D701,679 S \* 4/2014 Keppler ..... D2/881  
D704,420 S \* 5/2014 Krampitz ..... D2/880  
D751,267 S \* 3/2016 Babcock Gessler ..... D2/500  
D780,411 S \* 3/2017 Cuevas ..... D2/866  
2007/0266476 A1 \* 11/2007 Ulrich ..... A42B 1/045  
2/202

OTHER PUBLICATIONS

Belinda's Hood's, video [on-line]; [posted to the Internet on Oct. 14, 2016]; [retrieved from the Internet on Mar. 15, 2017]; URL: <<https://www.youtube.com/watch?v=FokC9aXF1Ww>>. (3 pages).\*

\* cited by examiner

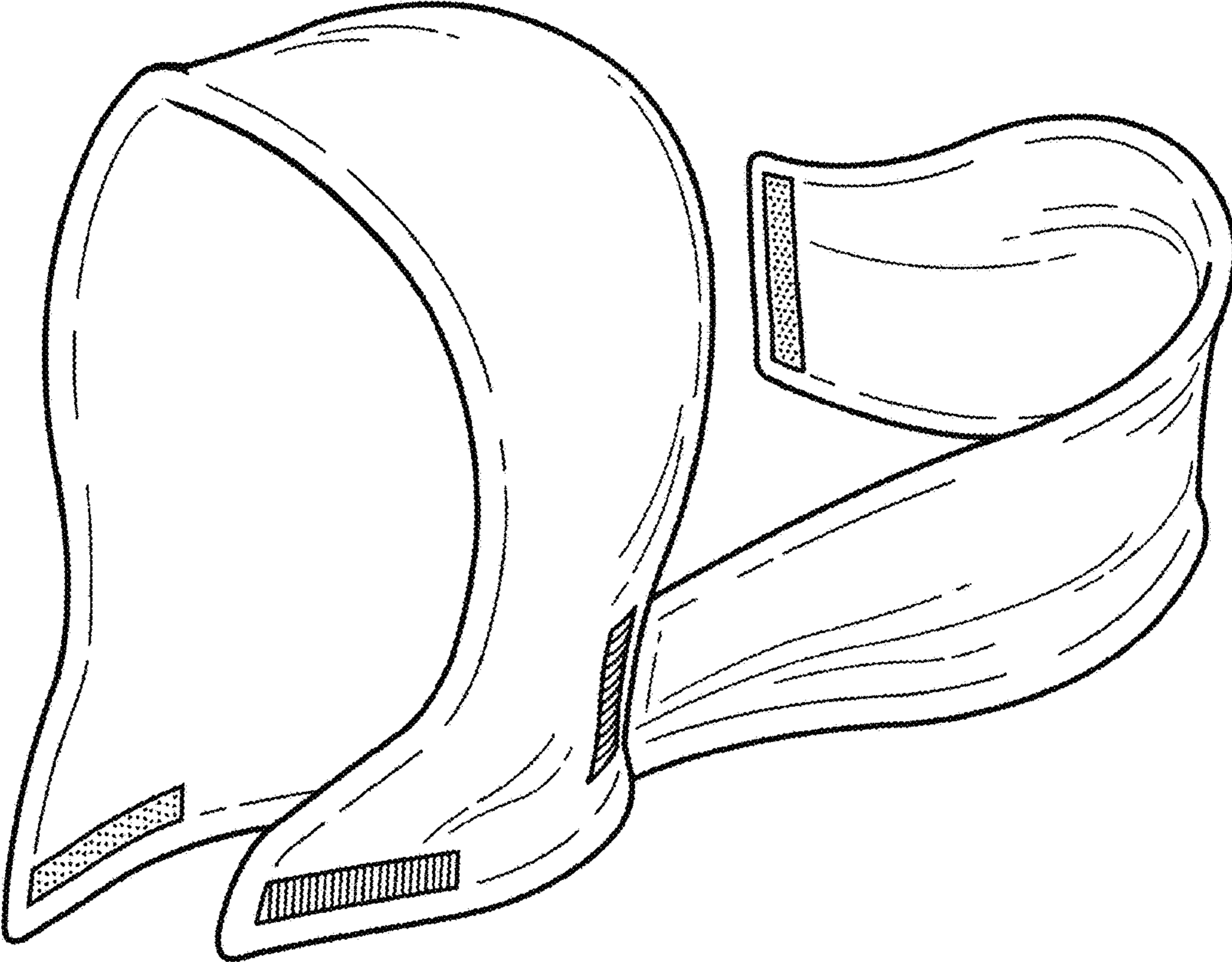


FIG. 1

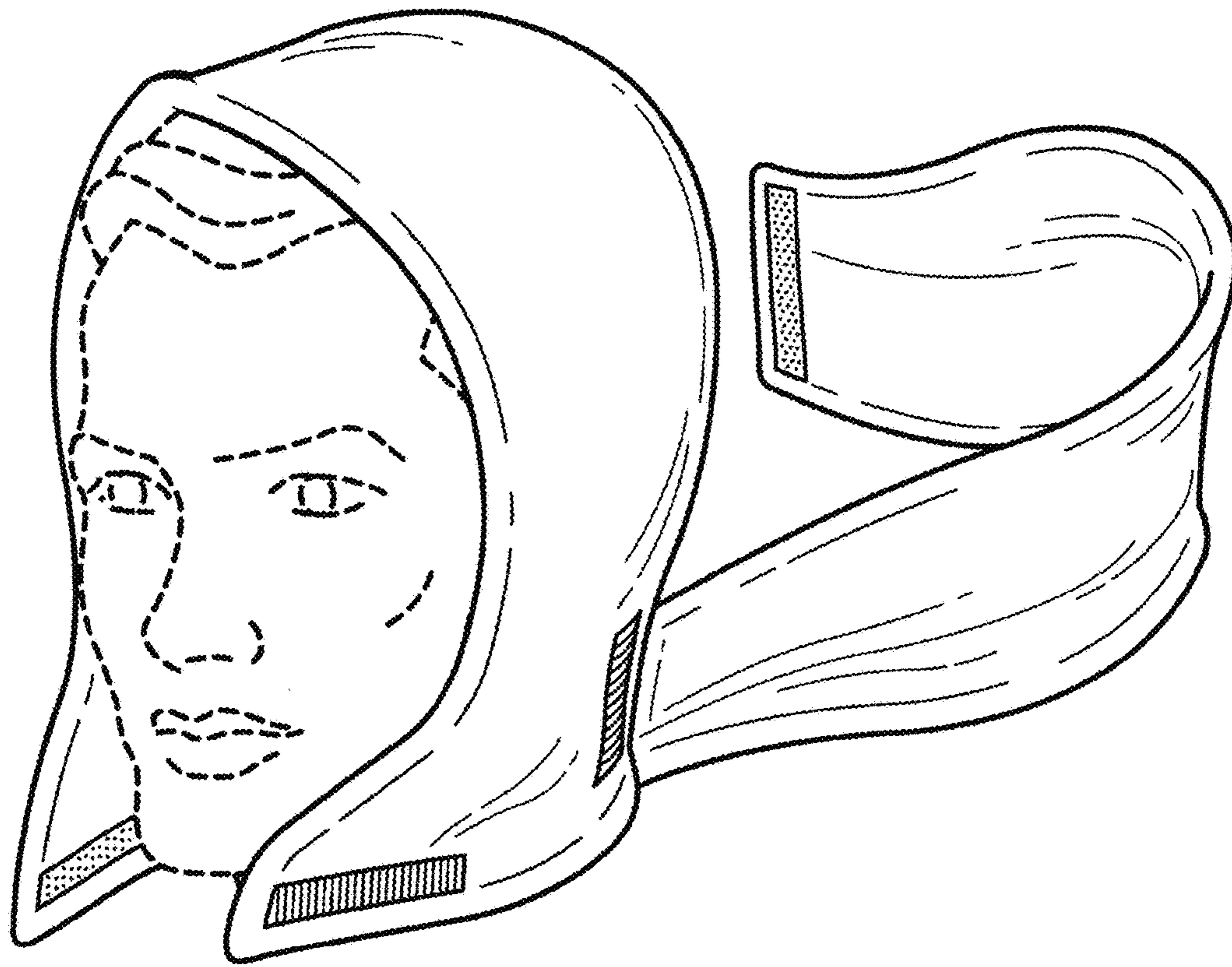


FIG. 2

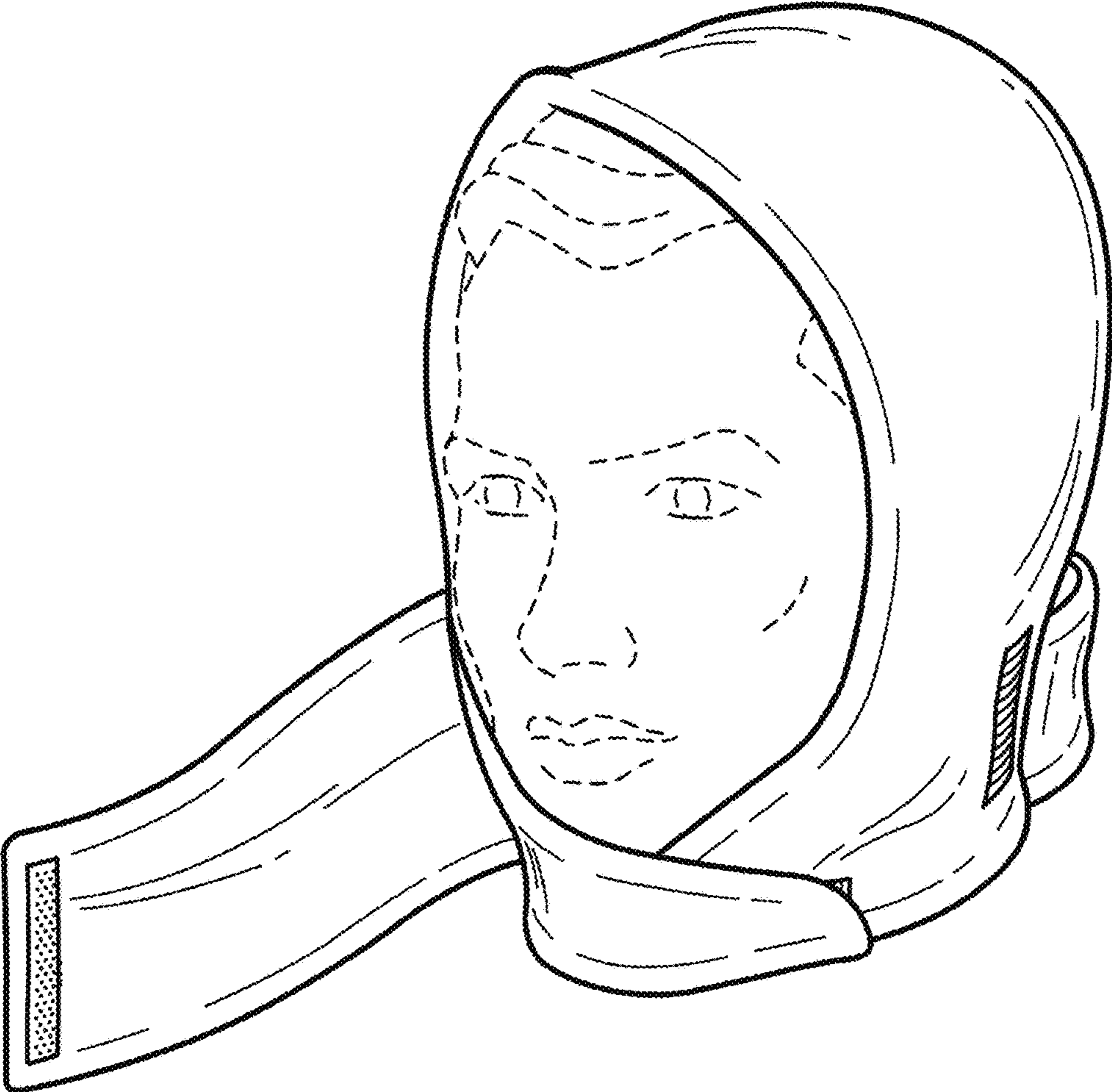


FIG. 3

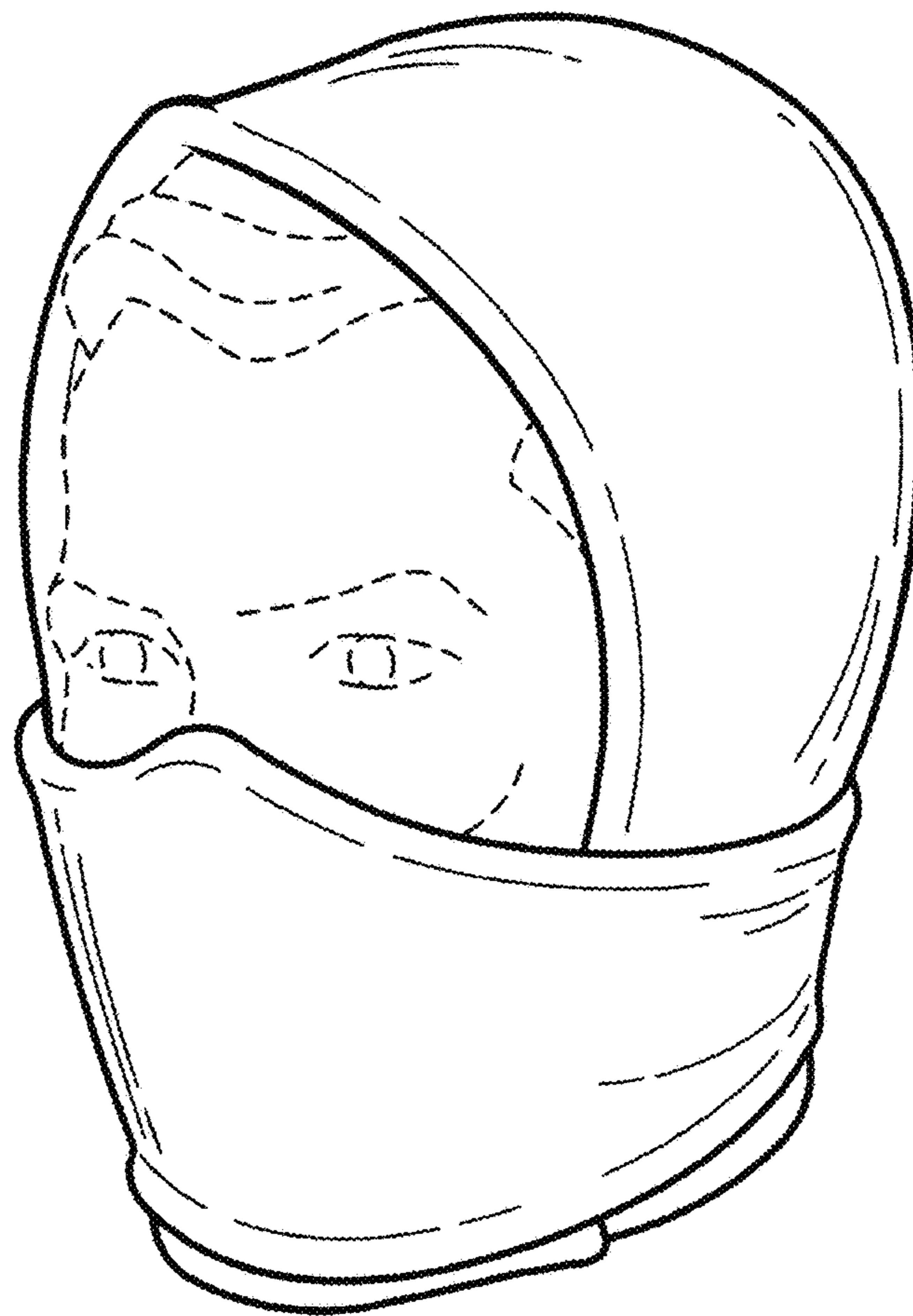


FIG. 4

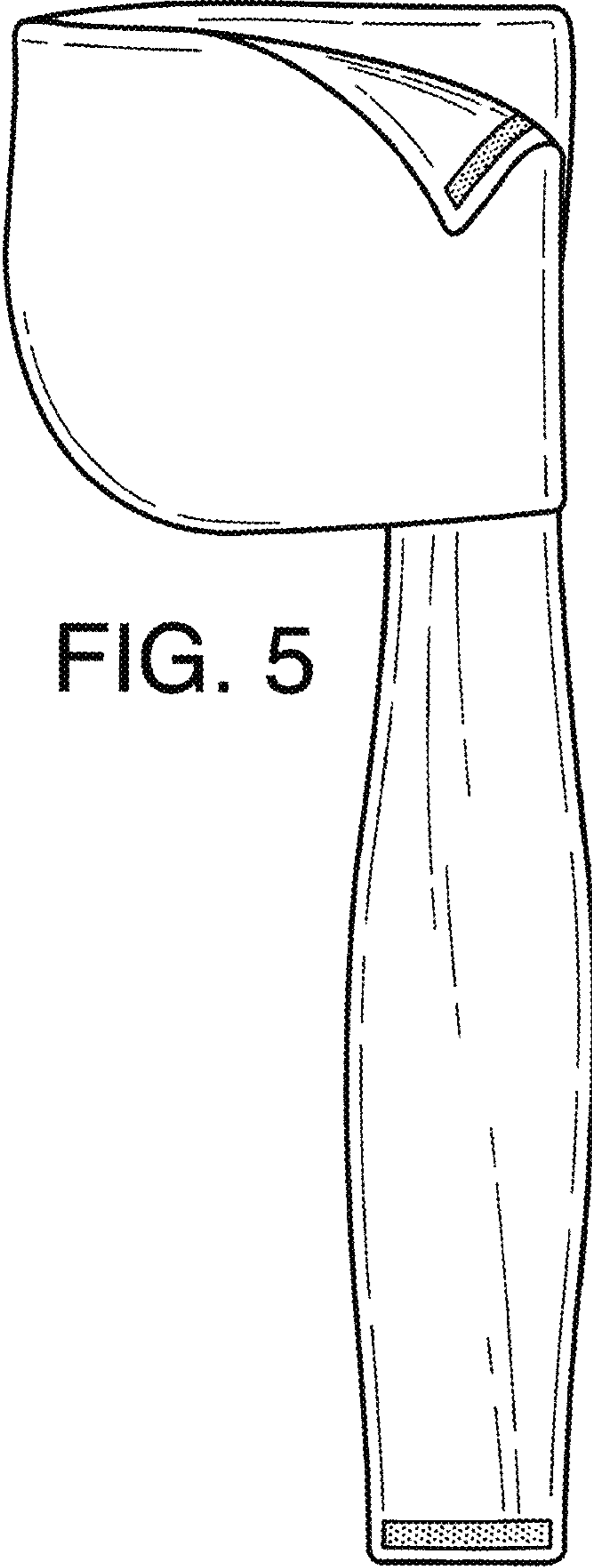


FIG. 5

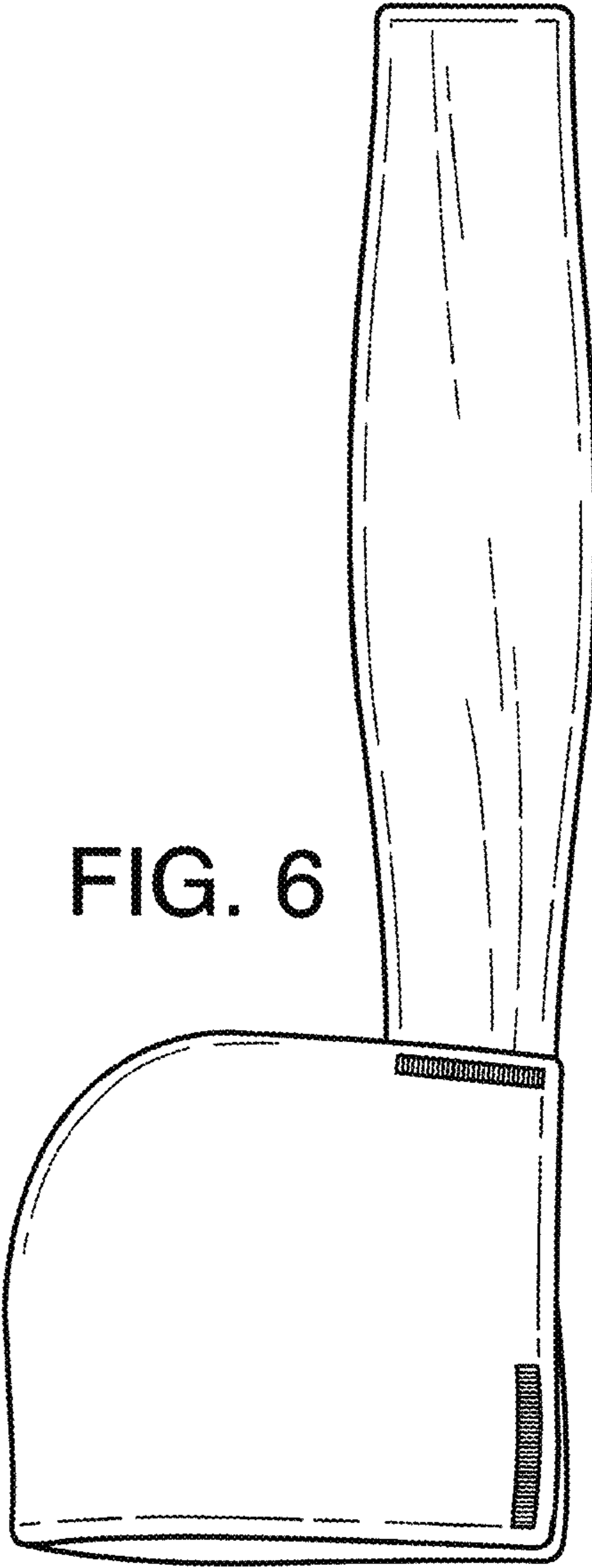


FIG. 6