



US00D809746S

(12) **United States Design Patent**
Ye

(10) **Patent No.:** **US D809,746 S**
(45) **Date of Patent:** **** Feb. 13, 2018**

(54) **LED SPORTS VEST**

(71) Applicant: **Yangchun Ye**, Guangdong (CN)

(72) Inventor: **Yangchun Ye**, Guangdong (CN)

(**) Term: **15 Years**

(21) Appl. No.: **29/557,151**

(22) Filed: **Mar. 7, 2016**

(51) **LOC (11) Cl.** **02-02**

(52) **U.S. Cl.**
USPC **D2/829**

(58) **Field of Classification Search**
USPC D2/626, 829, 830, 838, 860; D29/100,
D29/101.2, 101.3, 101.4, 124; D24/190
CPC A41D 13/01; A41D 13/0518; A41D 1/04;
A41D 31/0088
See application file for complete search history.

(56) **References Cited**

U.S. PATENT DOCUMENTS

D600,859 S * 9/2009 Hill D29/101.1
D654,249 S * 2/2012 Stout D2/839

D733,970 S * 7/2015 Jones D29/101.4
D766,548 S * 9/2016 Stout D2/829
D769,392 S * 10/2016 Guo D21/805
D779,738 S * 2/2017 Chow D29/101.4
2006/0034064 A1* 2/2006 Kanzler A41D 13/01
362/84
2010/0313328 A1* 12/2010 Shelton A41D 13/01
2/102

* cited by examiner

Primary Examiner — George D. Kirschbaum
Assistant Examiner — Jennifer L. Watkins
(74) *Attorney, Agent, or Firm* — Bay State IP, LLC

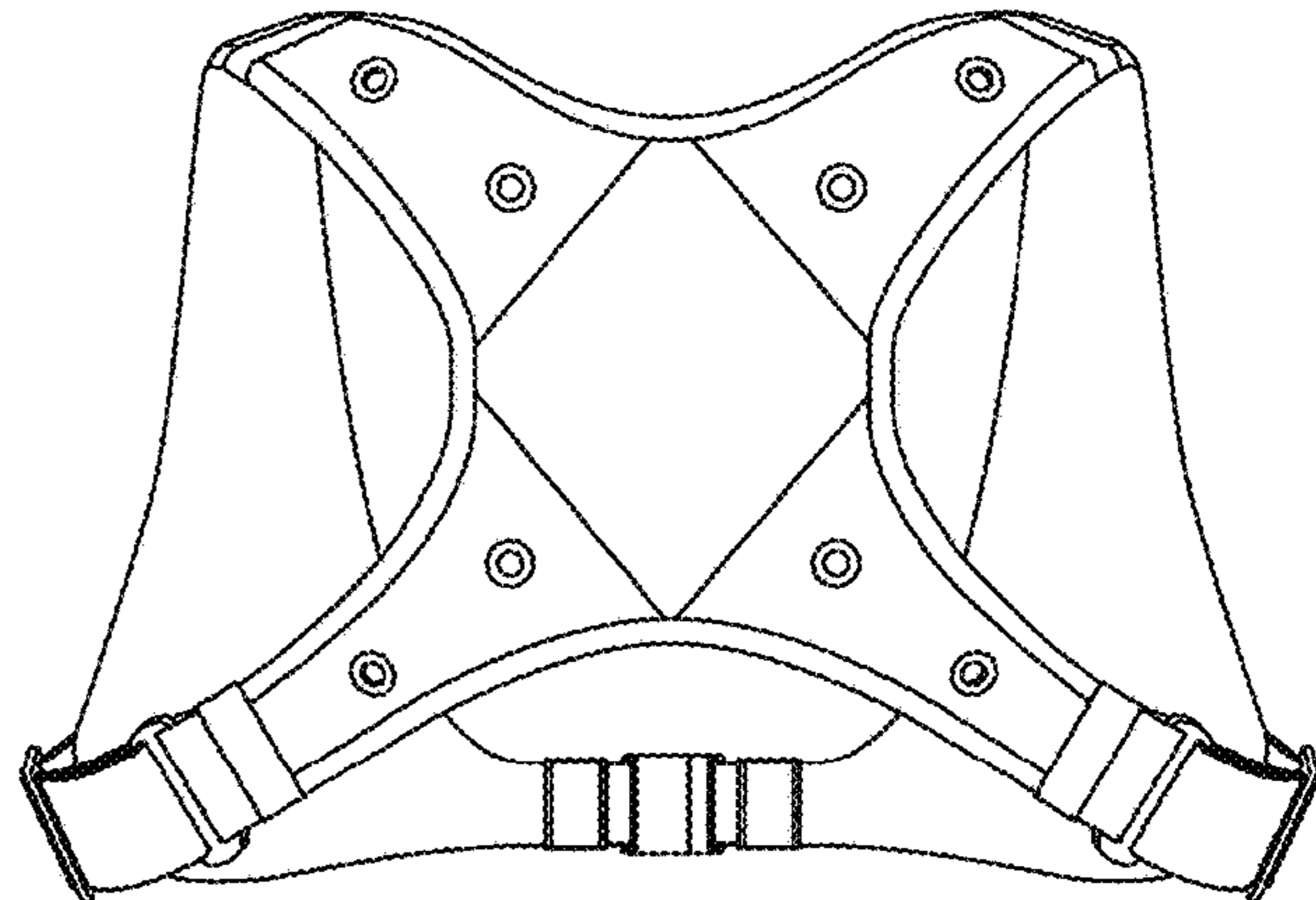
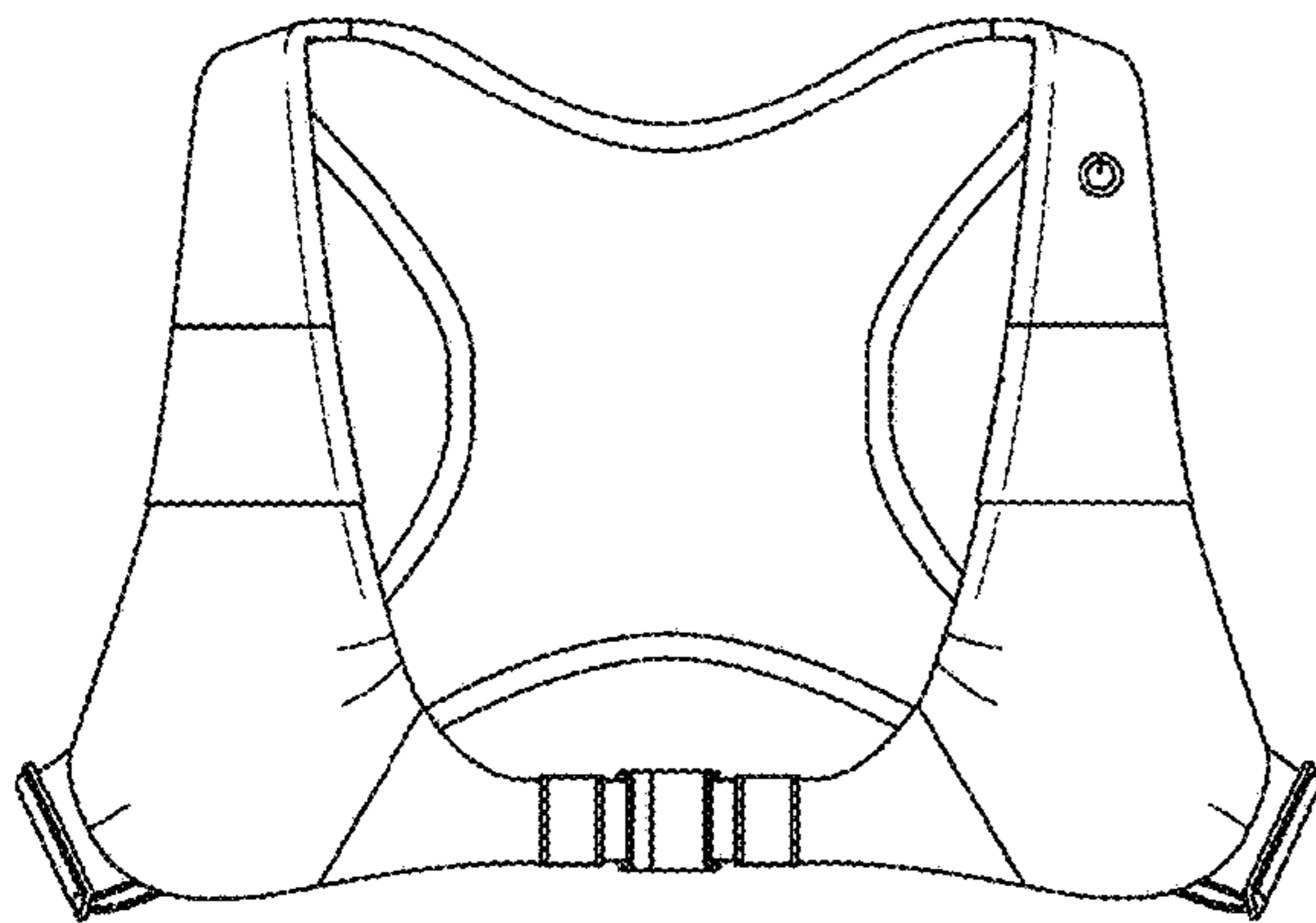
(57) **CLAIM**

The ornamental design for a LED sports vest, as shown and described.

DESCRIPTION

FIG. 1 is a front view of a LED sports vest showing my new design;
FIG. 2 is a back view thereof;
FIG. 3 is a side view thereof;
FIG. 4 is a side view thereof;
FIG. 5 is a top view thereof; and,
FIG. 6 is a bottom view thereof.

1 Claim, 3 Drawing Sheets



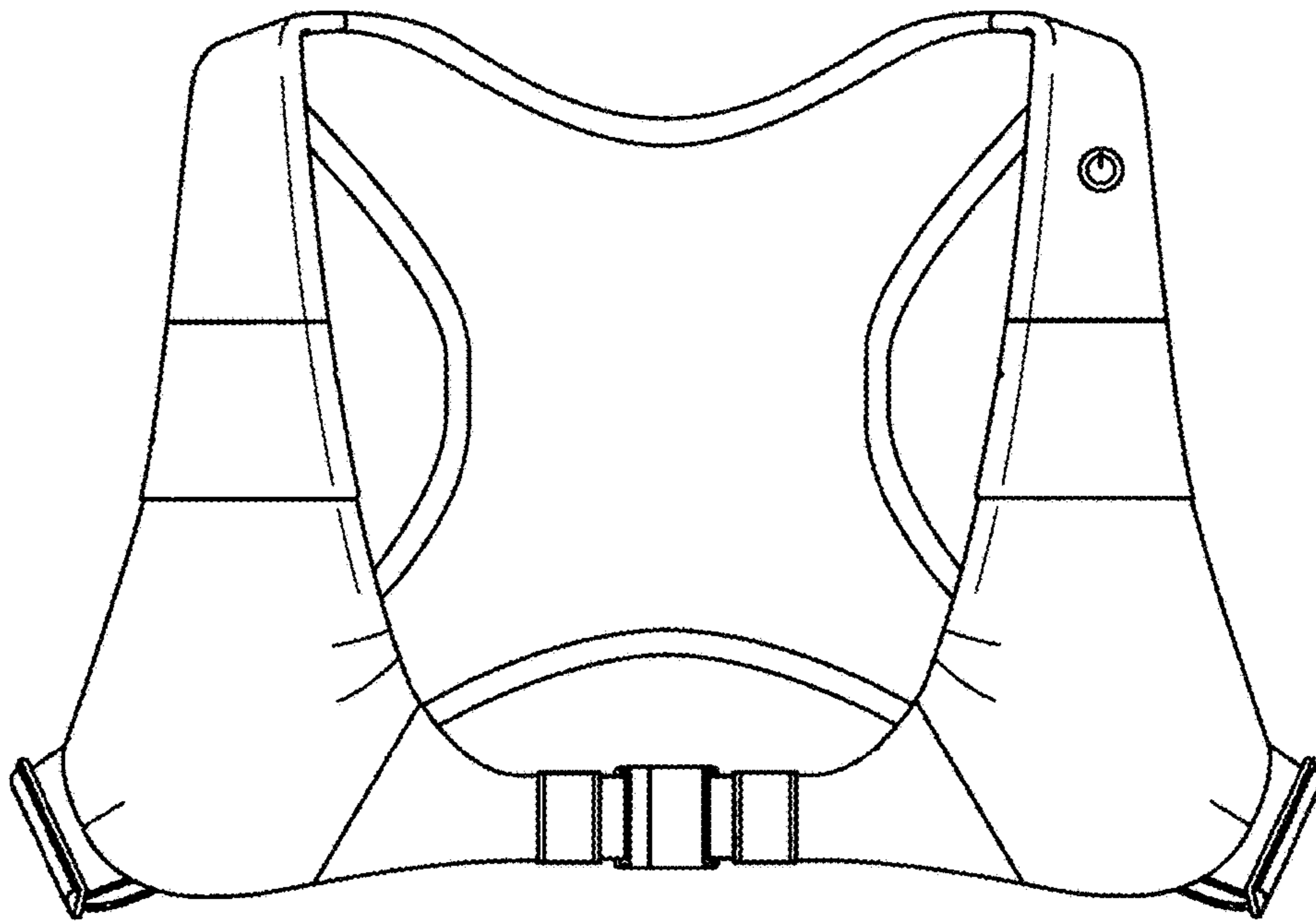


Fig. 1

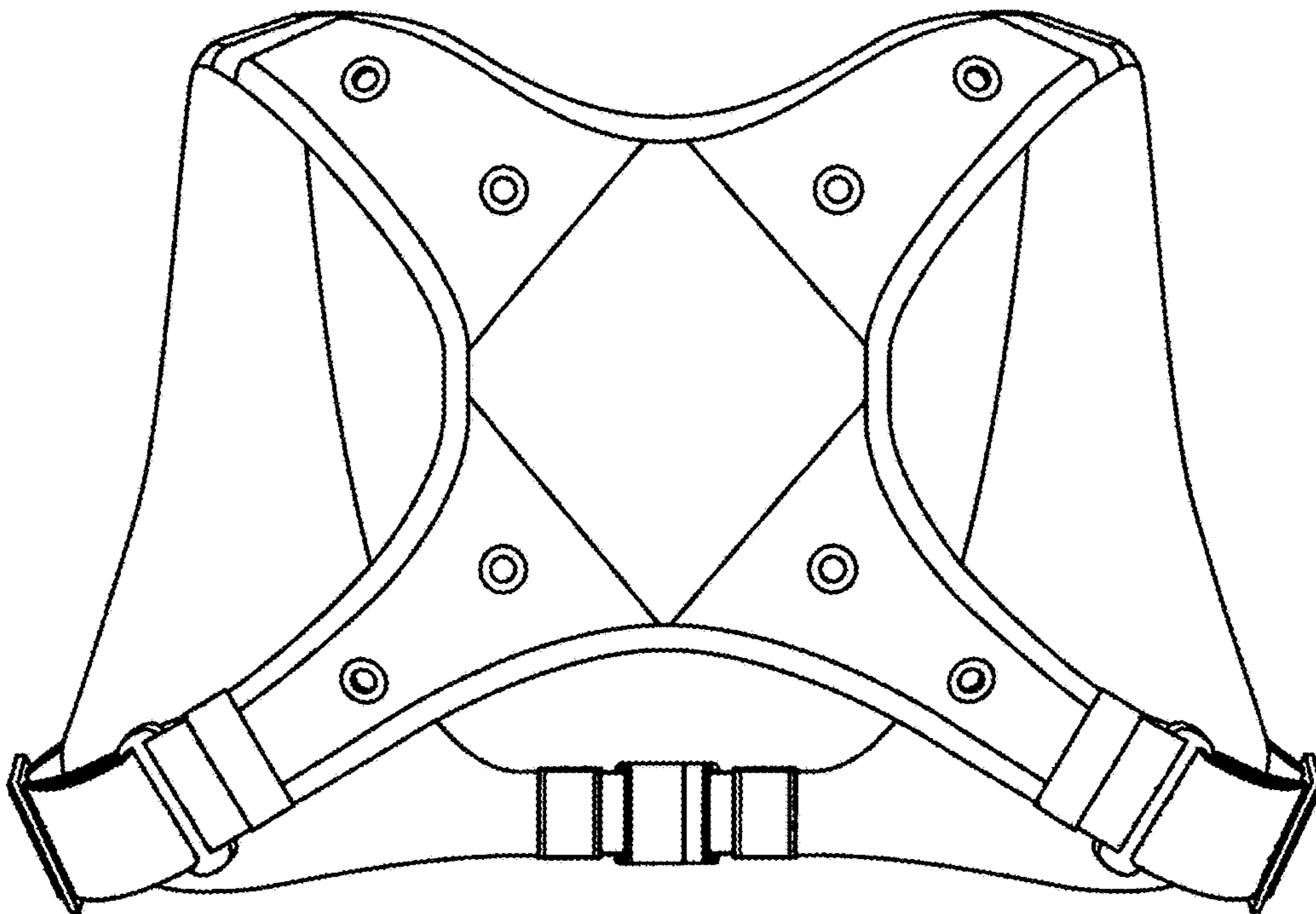


Fig. 2

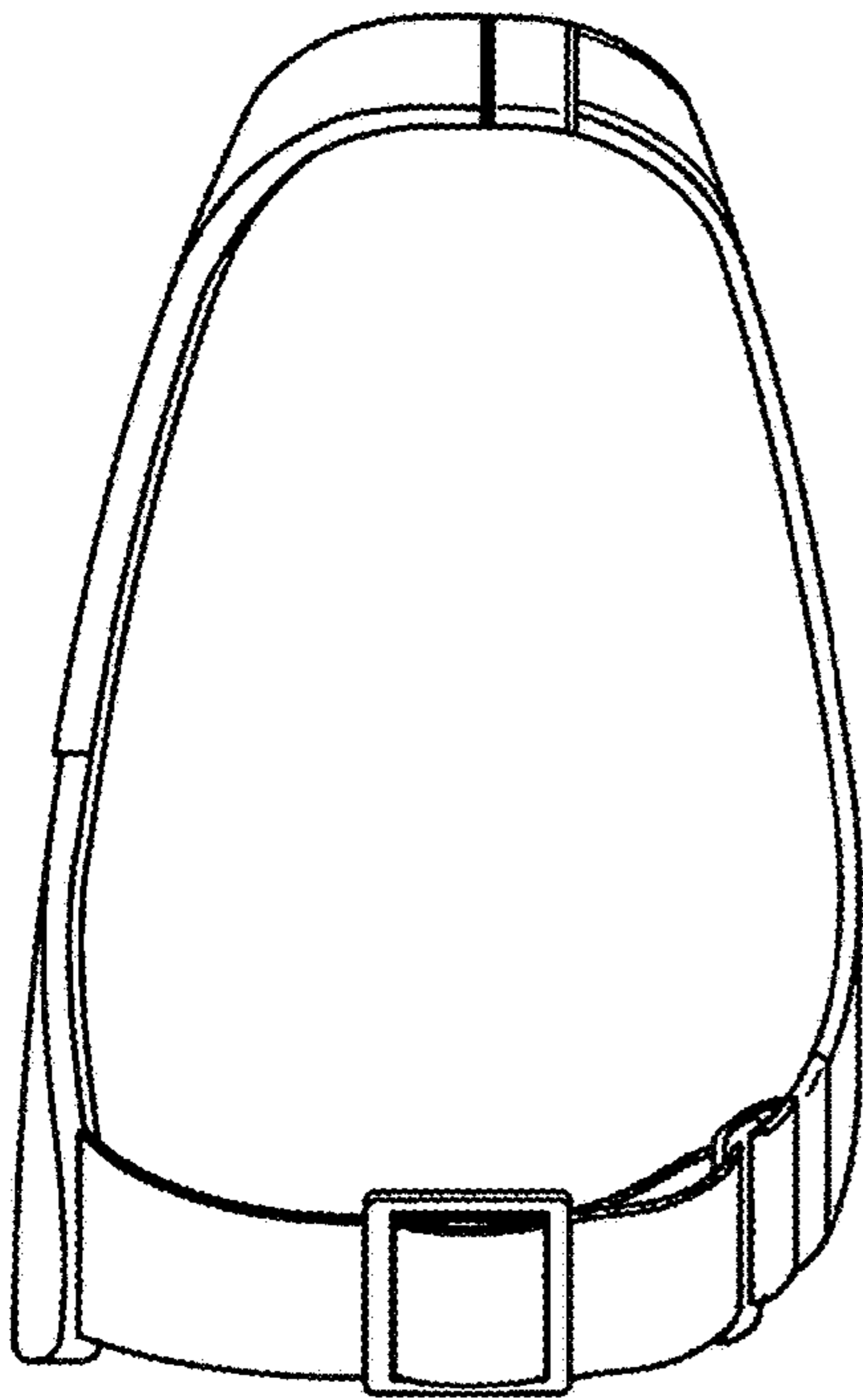


Fig. 3

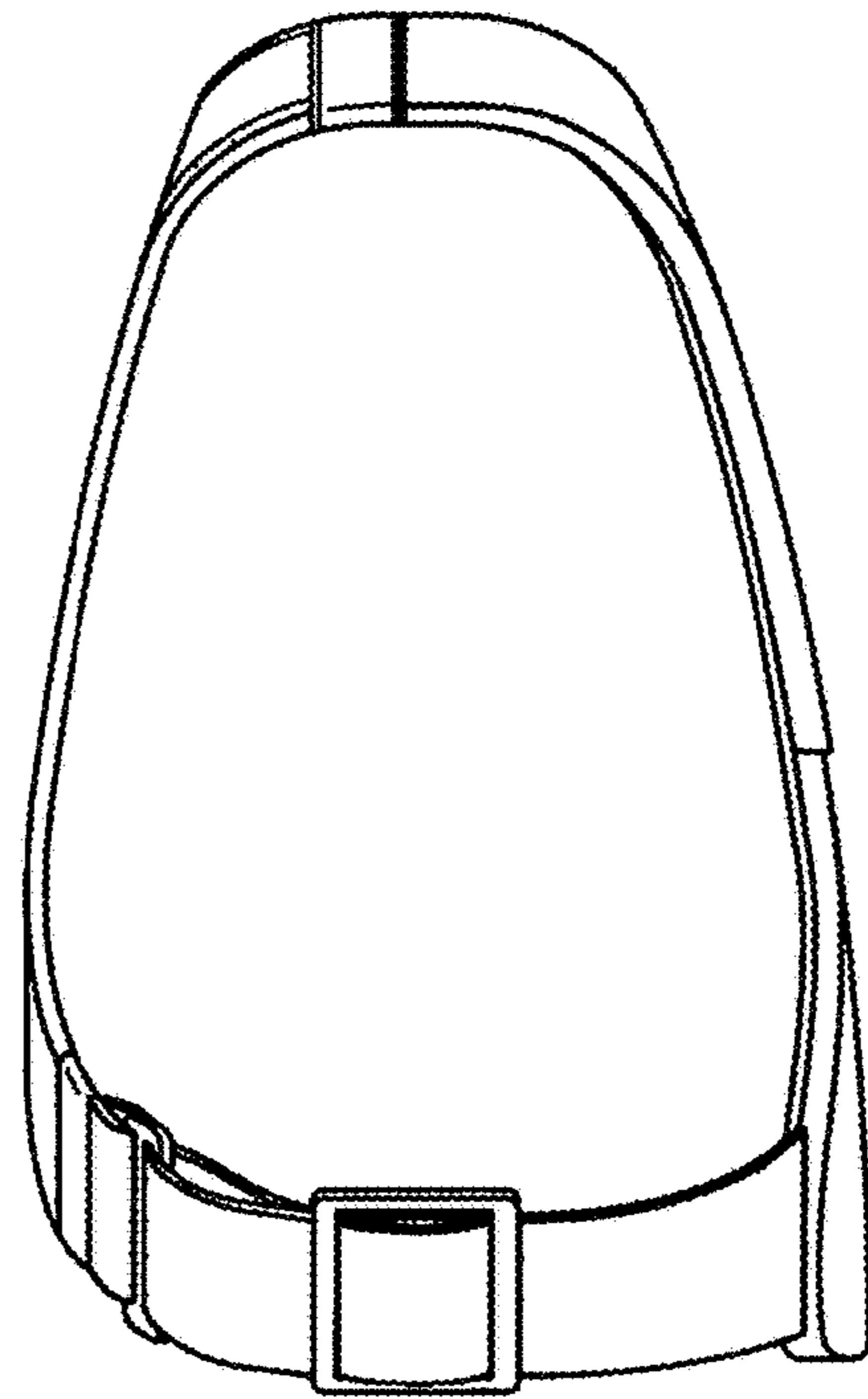


Fig. 4

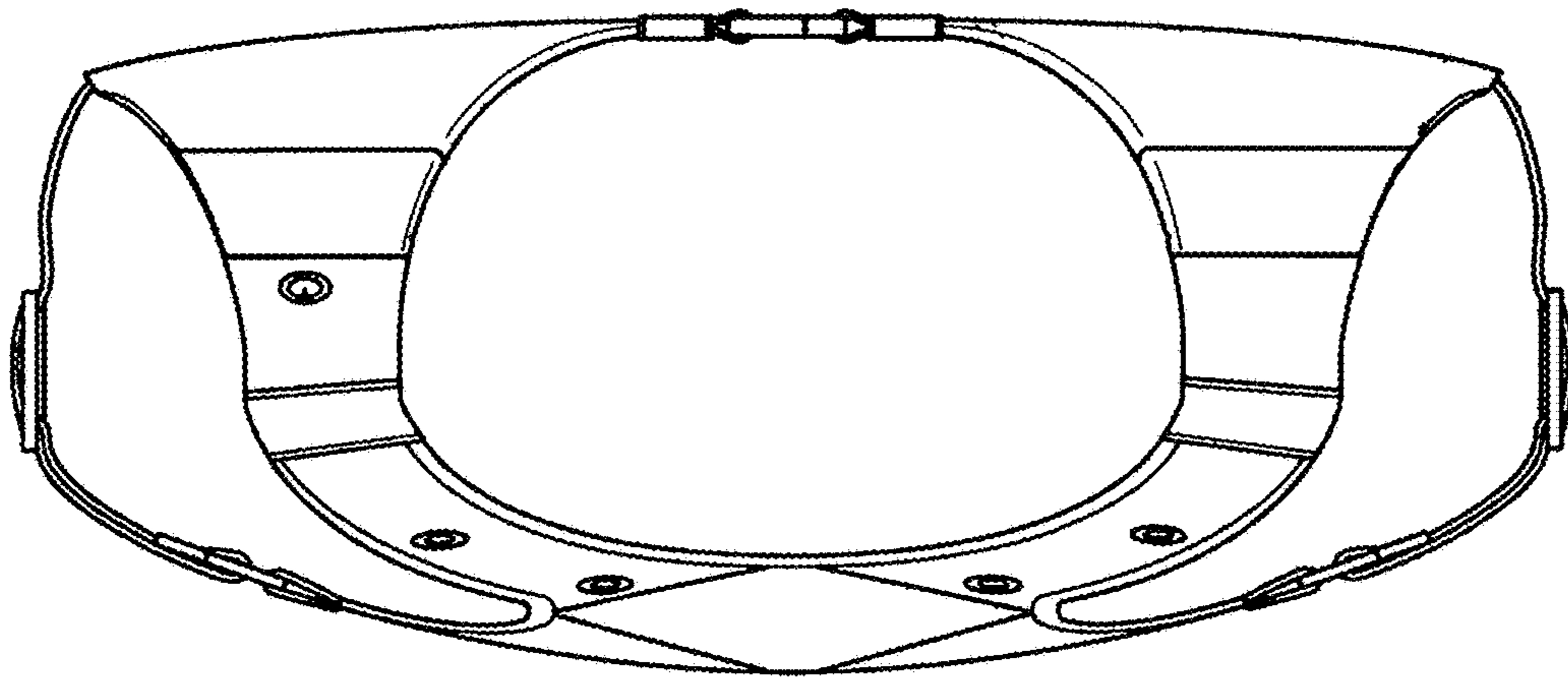


Fig. 5

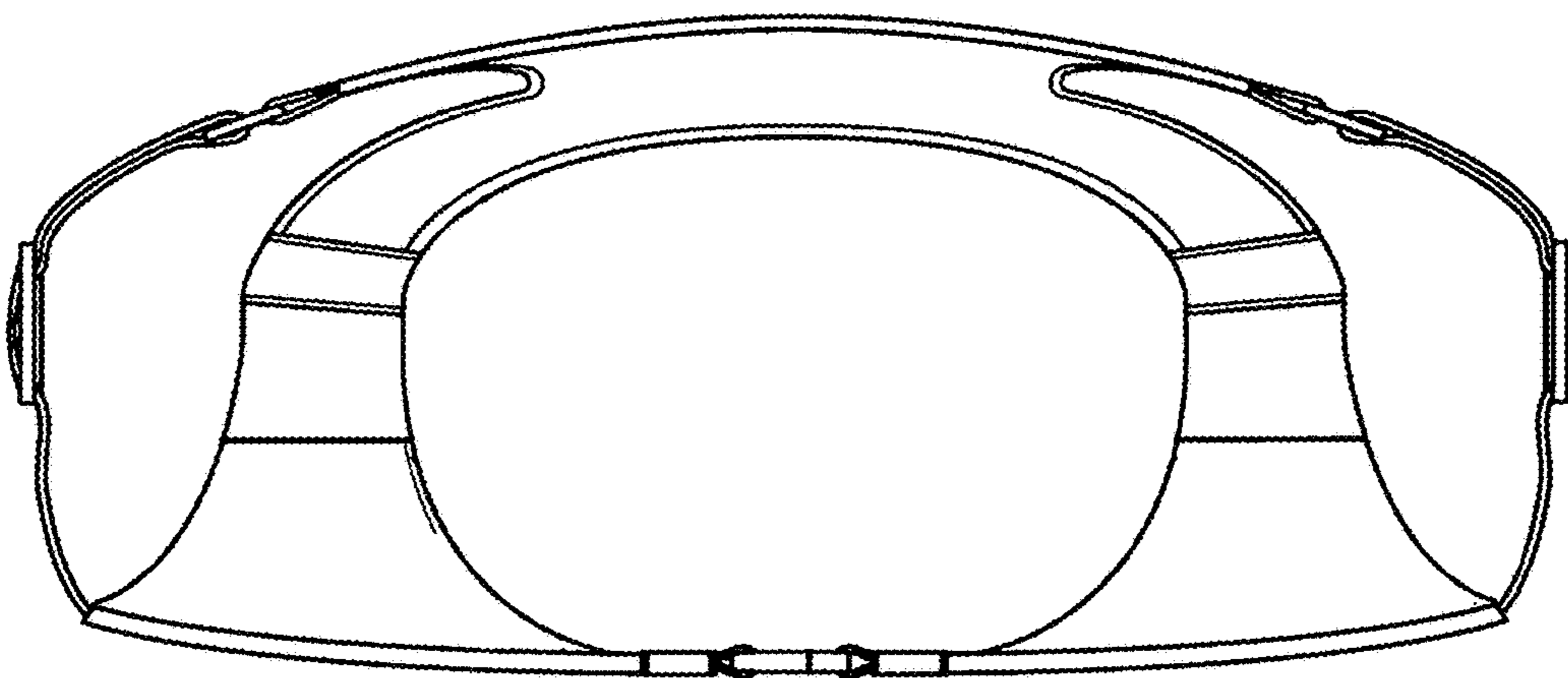


Fig. 6