



US00D809745S

(12) **United States Design Patent**  
**Crowe et al.**

(10) **Patent No.:** **US D809,745 S**  
(45) **Date of Patent:** **\*\* Feb. 13, 2018**

(54) **GARMENT**

(71) Applicant: **MILWAUKEE ELECTRIC TOOL CORPORATION**, Brookfield, WI (US)

(72) Inventors: **Jason R. Crowe**, Wauwatosa, WI (US);  
**Timothy Janda**, Elkhorn, WI (US);  
**Kim Brannock**, Bend, OR (US); **Jerry Gundersen**, Bainbridge Island, WA (US)

(73) Assignee: **MILWAUKEE ELECTRIC TOOL CORPORATION**, Brookfield, WI (US)

(\*\*) Term: **15 Years**

(21) Appl. No.: **29/603,540**

(22) Filed: **May 10, 2017**

**Related U.S. Application Data**

(62) Division of application No. 29/542,035, filed on Oct. 9, 2015, now Pat. No. Des. 787,160.

(51) **LOC (11) Cl.** ..... **02-02**

(52) **U.S. Cl.**  
USPC ..... **D2/828**

(58) **Field of Classification Search**  
USPC ..... D2/828, 829, 830, 831, 833, 834, 836,  
D2/839, 840, 841, 847, 848, 825, 717,  
D2/731, 749-751

CPC ..... A41D 2200/20; A41D 3/00; A41D 3/02;  
A41D 3/005; A41D 13/01; A41D 13/002;  
A41D 13/008; A41D 2400/10  
See application file for complete search history.

(56) **References Cited**

**U.S. PATENT DOCUMENTS**

D385,088 S \* 10/1997 Handysides ..... D2/828  
D551,429 S \* 9/2007 Wager ..... D2/831

D553,330 S \* 10/2007 Wager ..... D2/831  
D621,132 S \* 8/2010 Crisp ..... D2/831  
D626,725 S \* 11/2010 Snyder ..... D2/830  
D636,973 S \* 5/2011 Smith ..... D2/830

(Continued)

*Primary Examiner* — George D. Kirschbaum

*Assistant Examiner* — Clese Moore, Jr.

(74) *Attorney, Agent, or Firm* — Michael Best & Friedrich LLP

(57) **CLAIM**

We claim the ornamental design for a garment, as shown and described.

**DESCRIPTION**

FIG. 1 is a front perspective view of a garment, such as a hoodie.

FIG. 2 is a rear perspective view of the garment shown in FIG. 1.

FIG. 3 is a front view of the garment shown in FIG. 1.

FIG. 4 is a rear view of the garment shown in FIG. 1.

FIG. 5 is a right side view of the garment shown in FIG. 1.

FIG. 6 is a left side view of the garment shown in FIG. 1.

FIG. 7 is a front perspective view of a garment, such as a hoodie.

FIG. 8 is a rear perspective view of the garment shown in FIG. 7.

FIG. 9 is a front view of the garment shown in FIG. 7.

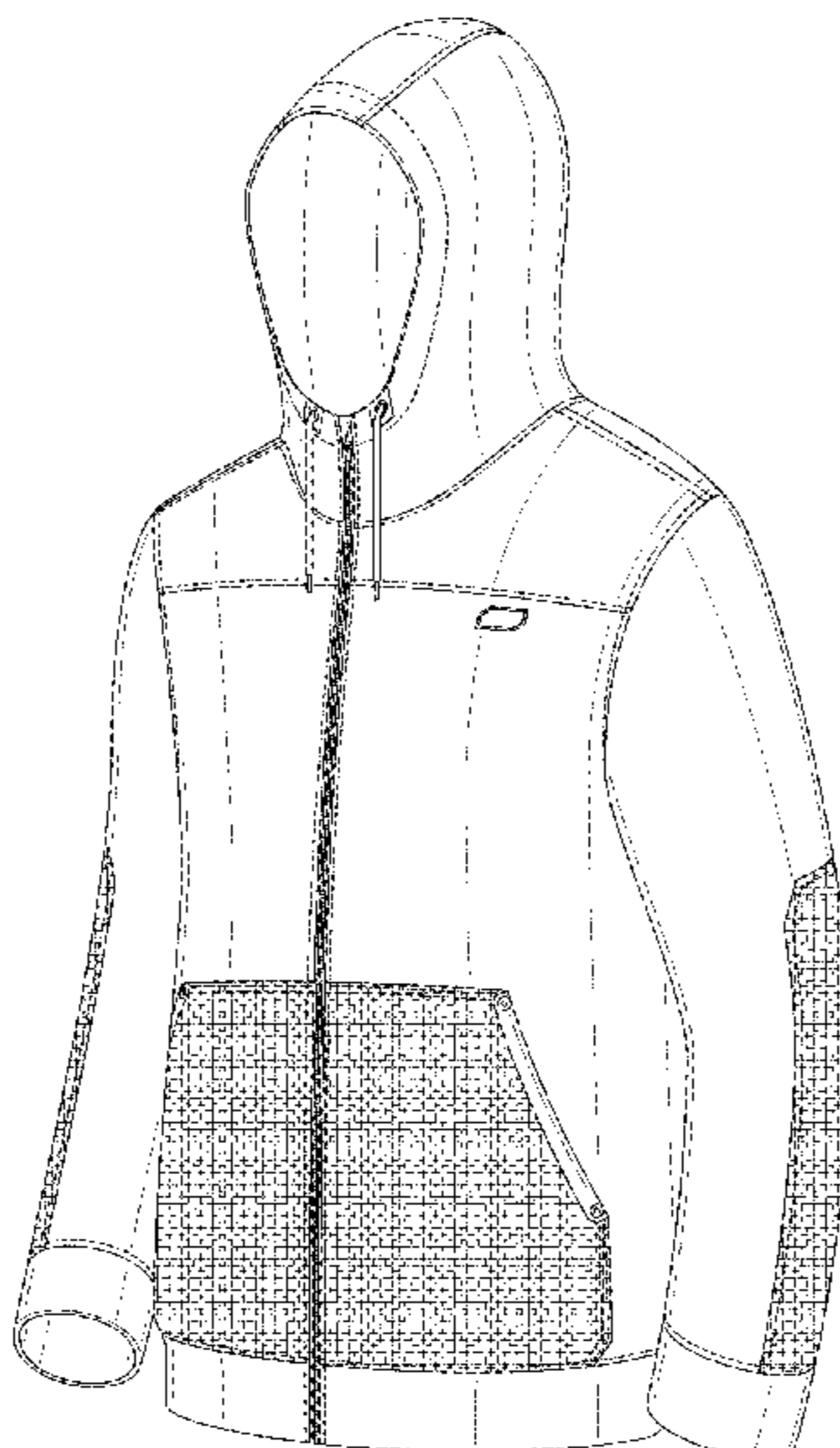
FIG. 10 is a rear view of the garment shown in FIG. 7.

FIG. 11 is a right side view of the garment shown in FIG. 7; and,

FIG. 12 is a left side view of the garment shown in FIG. 7. The stitching shown in broken lines forms a part of the claimed design.

In FIGS. 1-6, the crosshatching represents a texture of the material forming a part of the claimed design. In FIGS. 7-12, stippling and straight-line surface shading represent contrast in materials.

**1 Claim, 12 Drawing Sheets**



(56)

**References Cited**

U.S. PATENT DOCUMENTS

D653,836 S *	2/2012	Woysner .....	D2/750
D704,924 S *	5/2014	Roberts .....	D2/831
D736,496 S *	8/2015	Gonzalez .....	D2/750
D739,646 S *	9/2015	Meguid .....	D2/831
D741,576 S *	10/2015	Sakosits .....	D2/833
D757,398 S *	5/2016	Ingram .....	D2/828
D765,351 S *	9/2016	Shaw .....	D2/836
D769,580 S *	10/2016	Conway .....	D2/830
D775,788 S *	1/2017	Darmour .....	D2/828
D778,033 S *	2/2017	Darmour .....	D2/828

\* cited by examiner

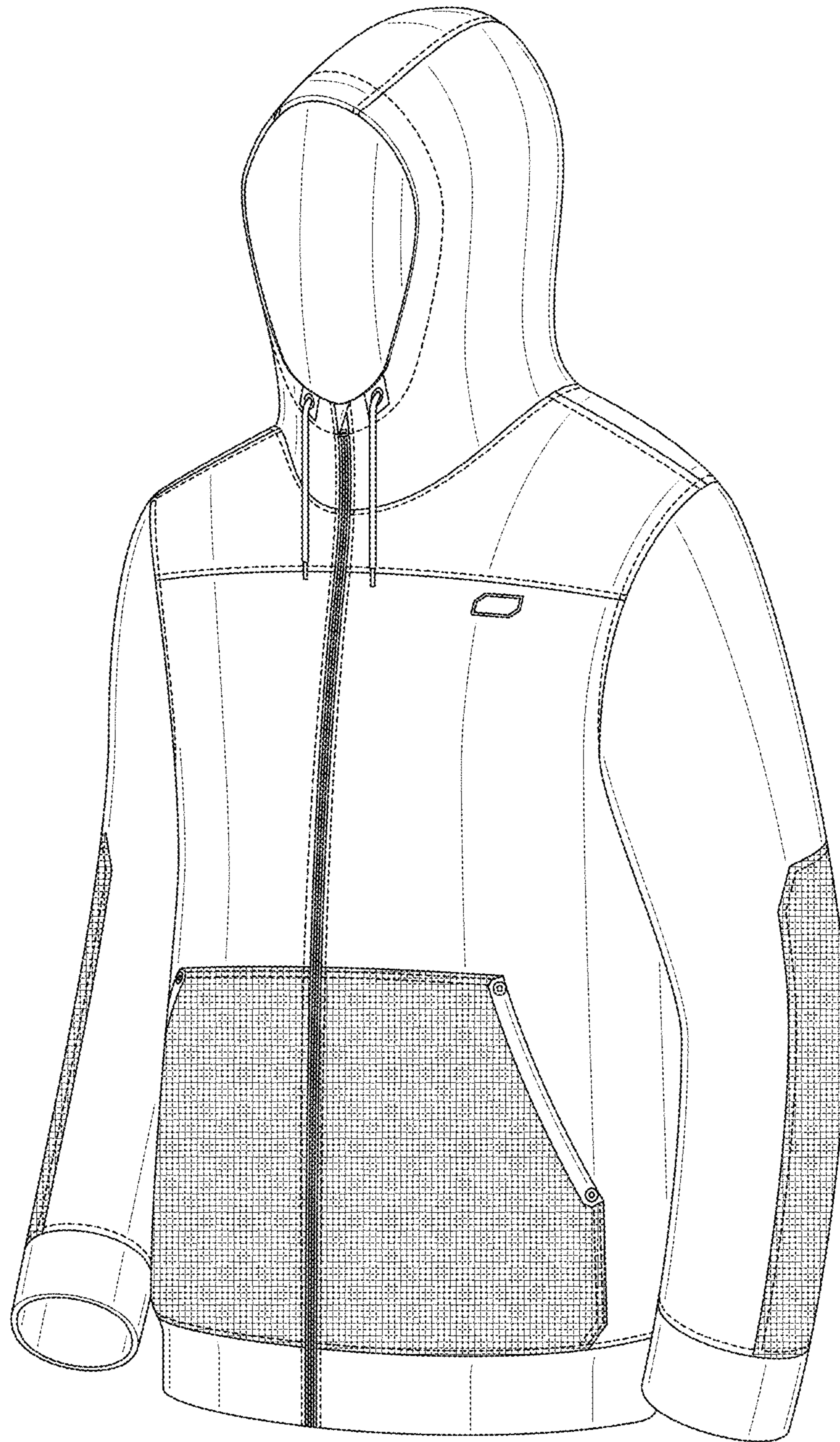


FIG. 1

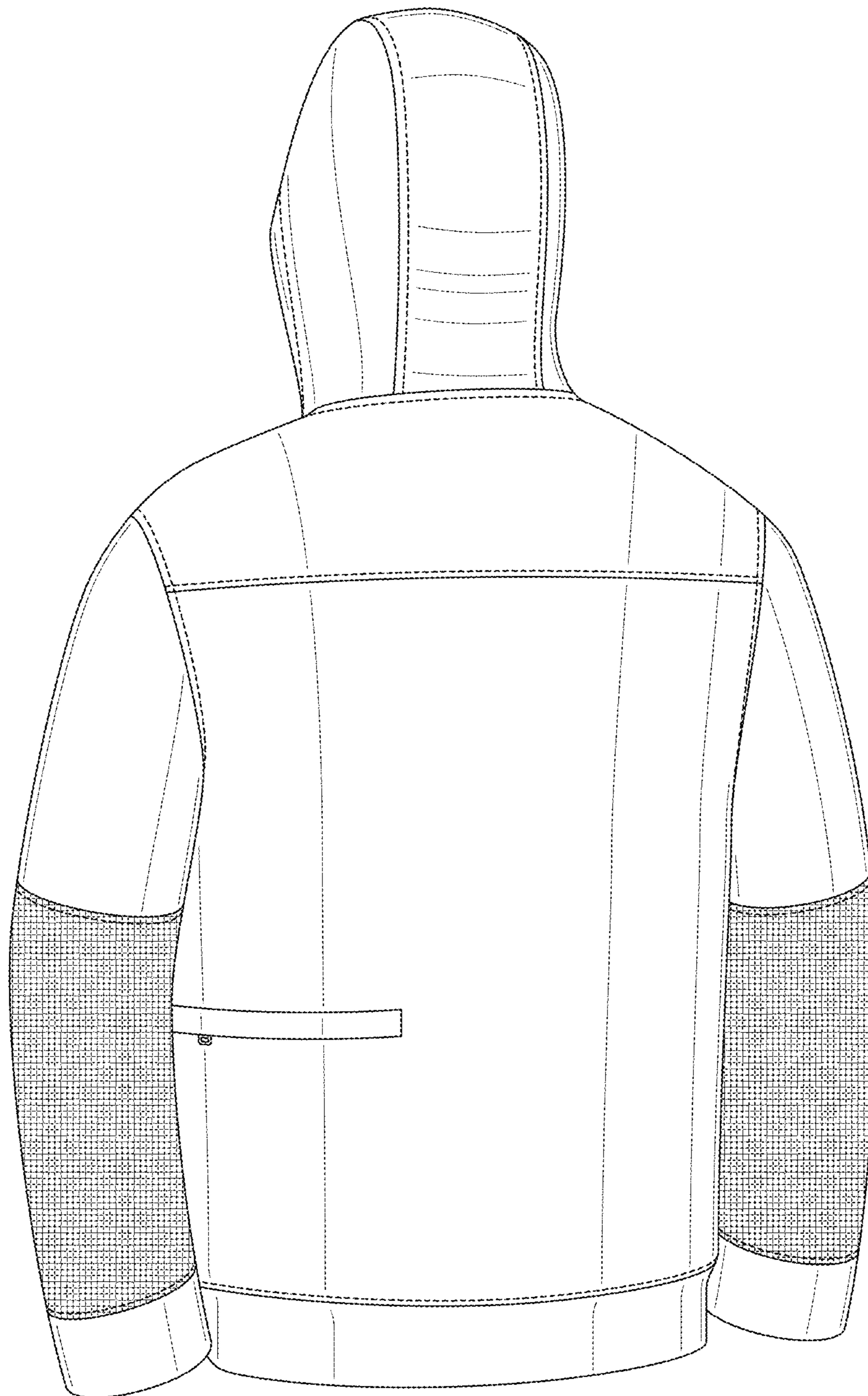


FIG. 2

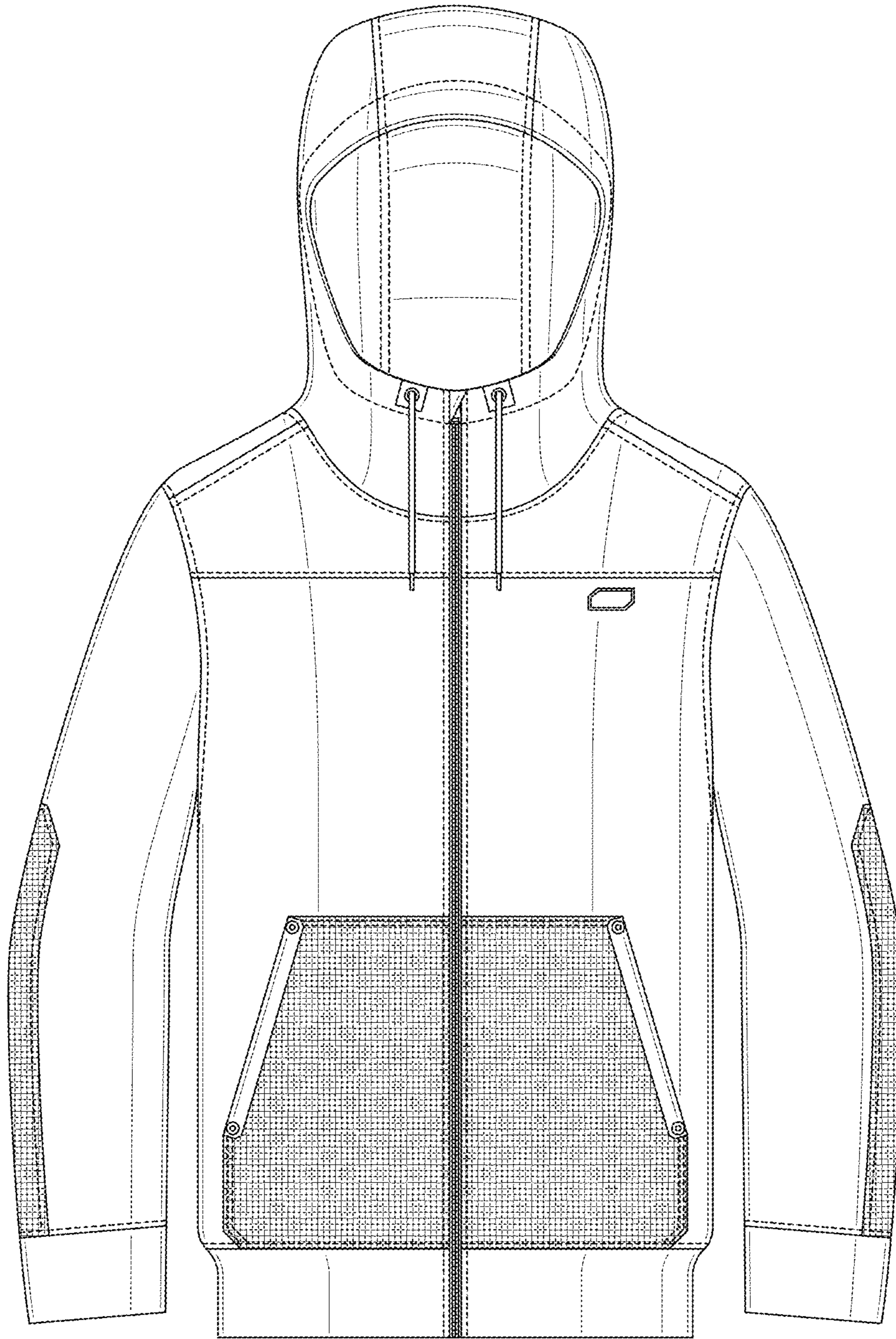


FIG. 3

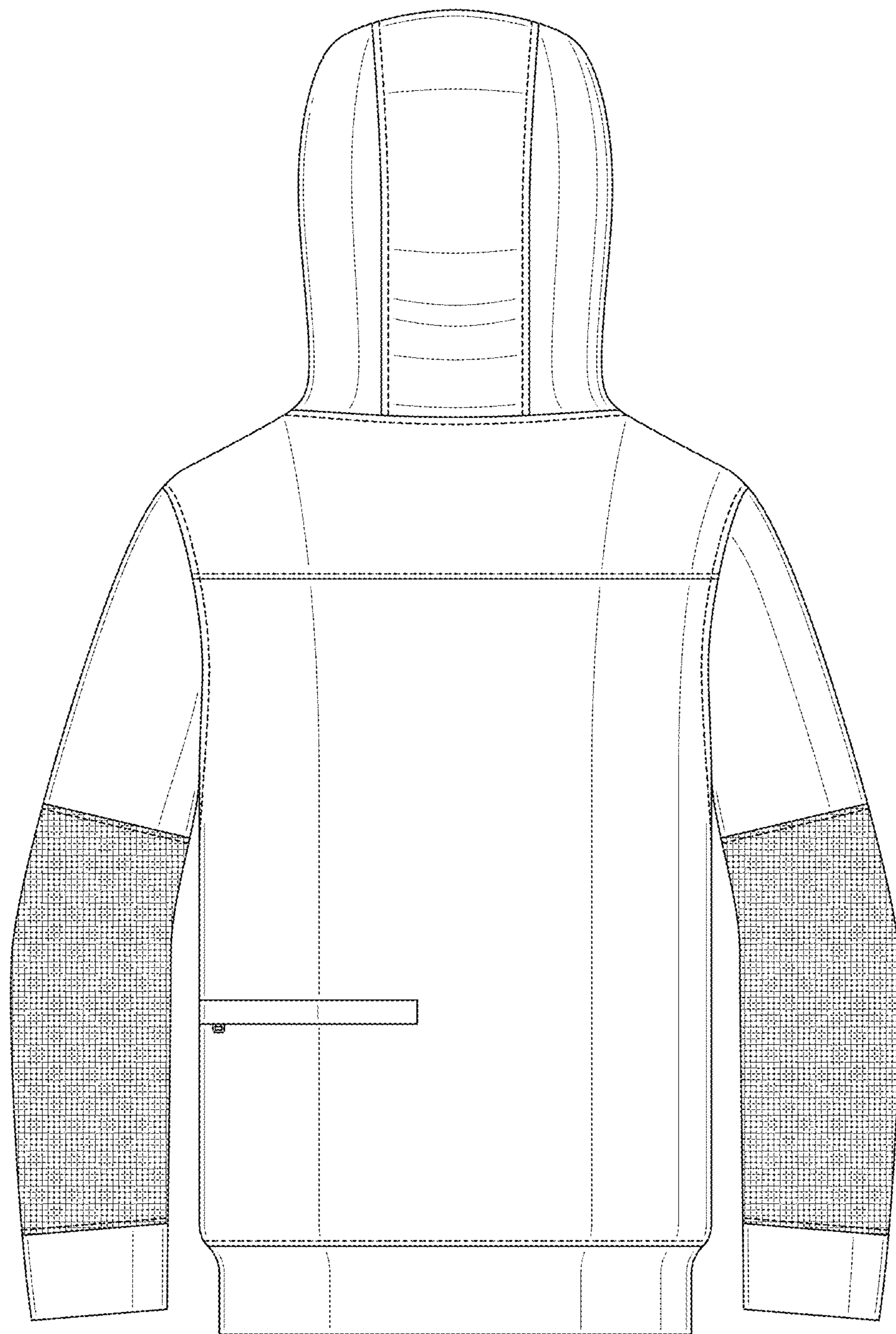


FIG. 4

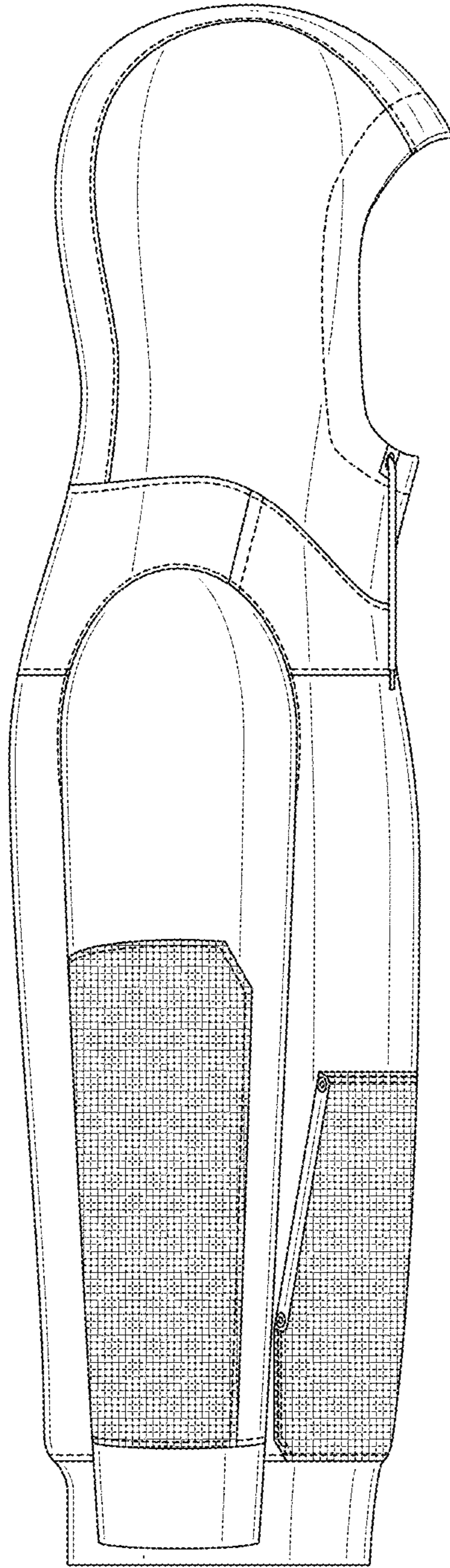


FIG. 5

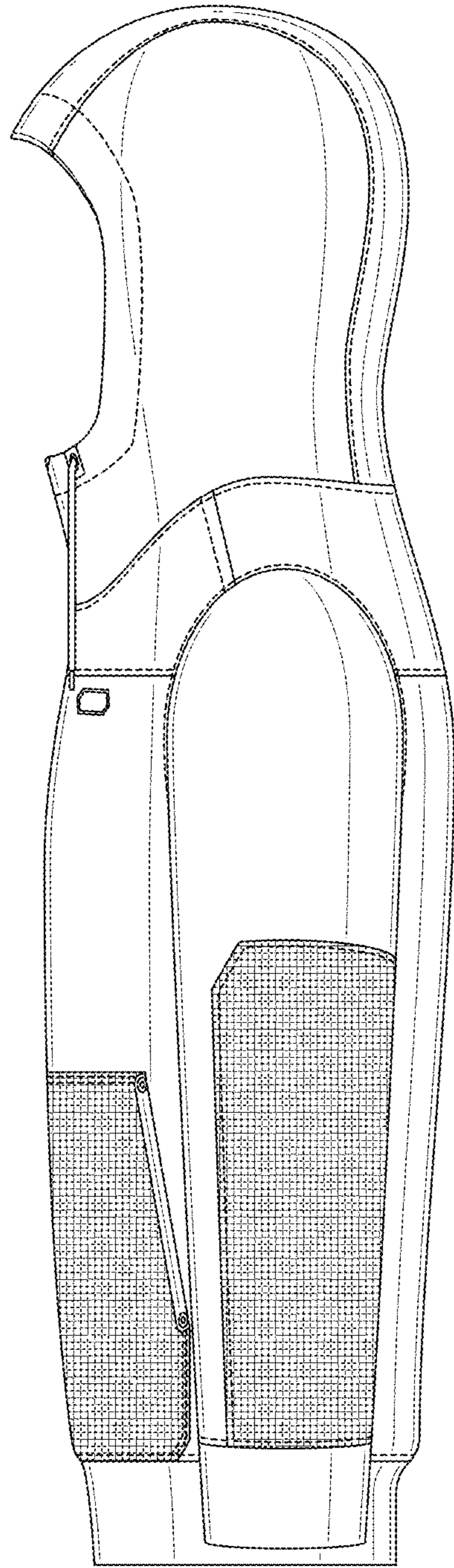


FIG. 6



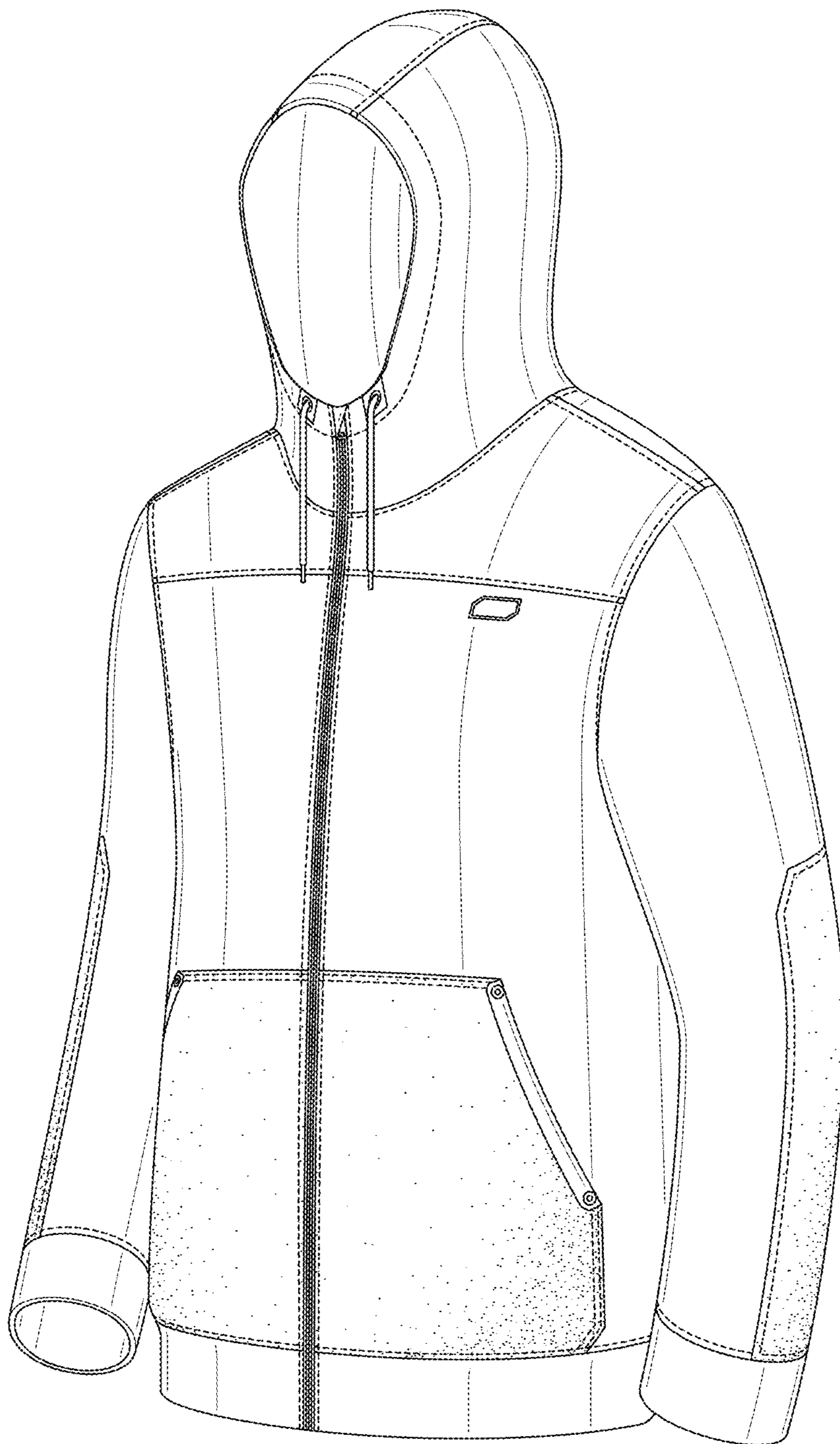


FIG. 7

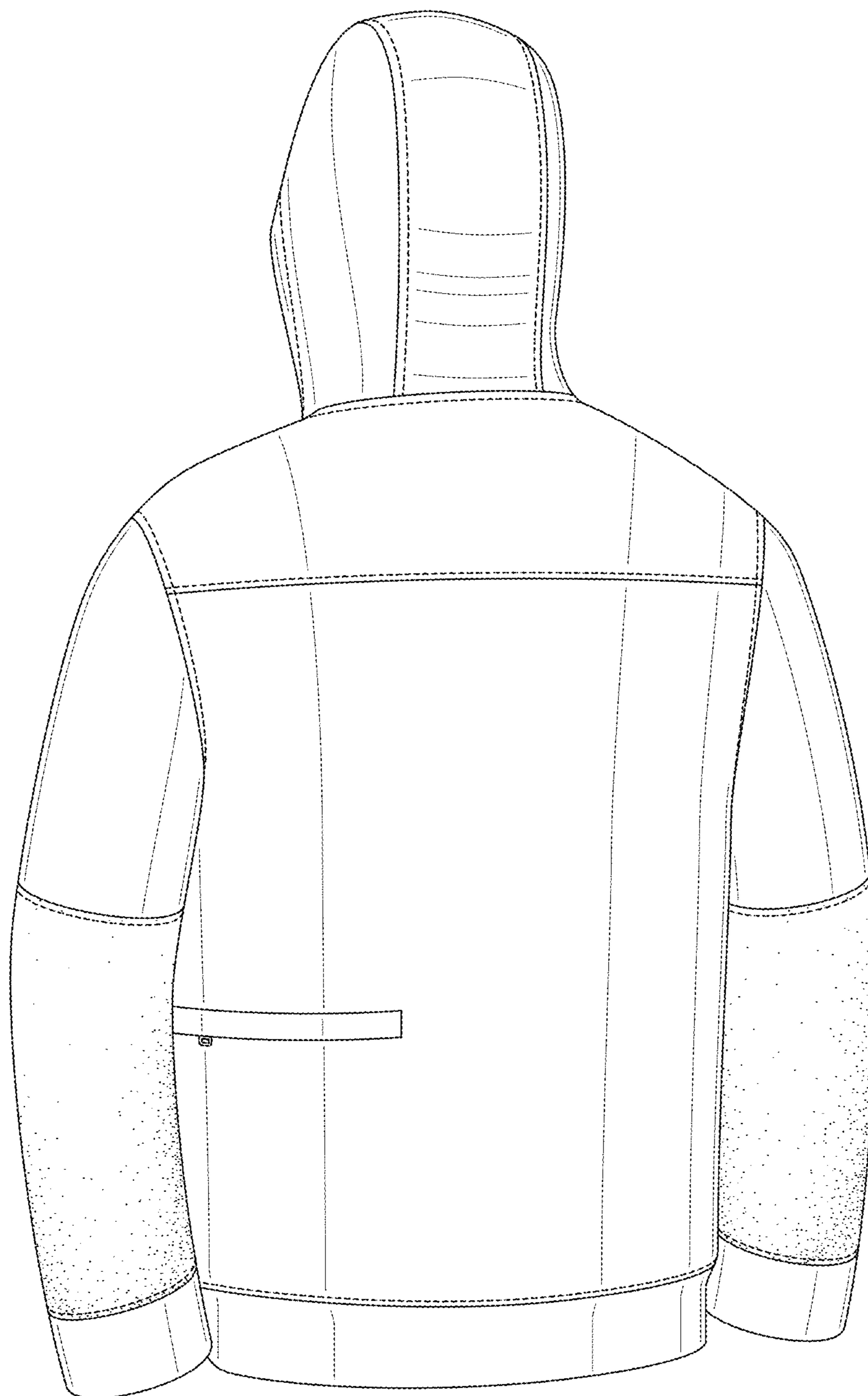


FIG. 8

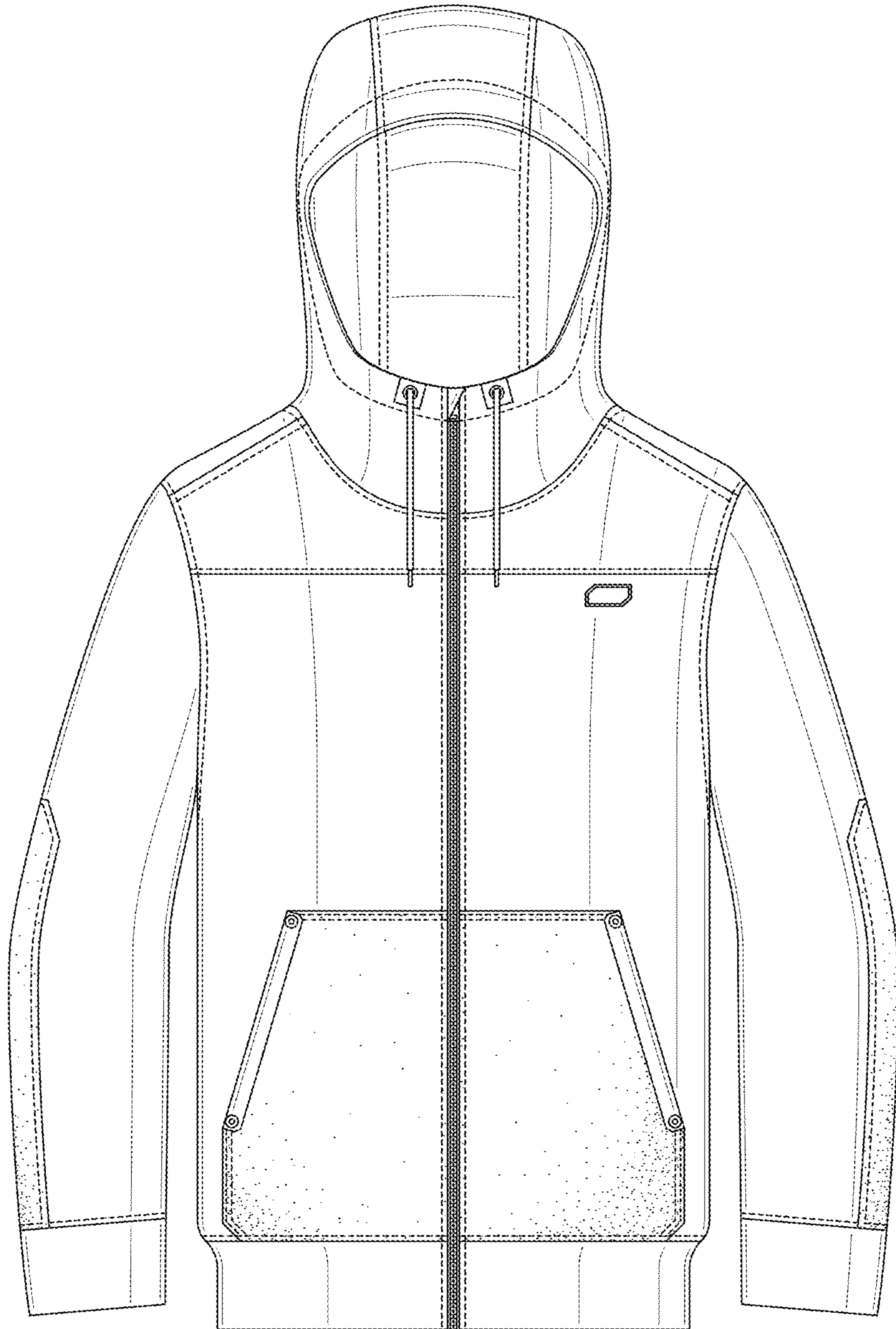


FIG. 9

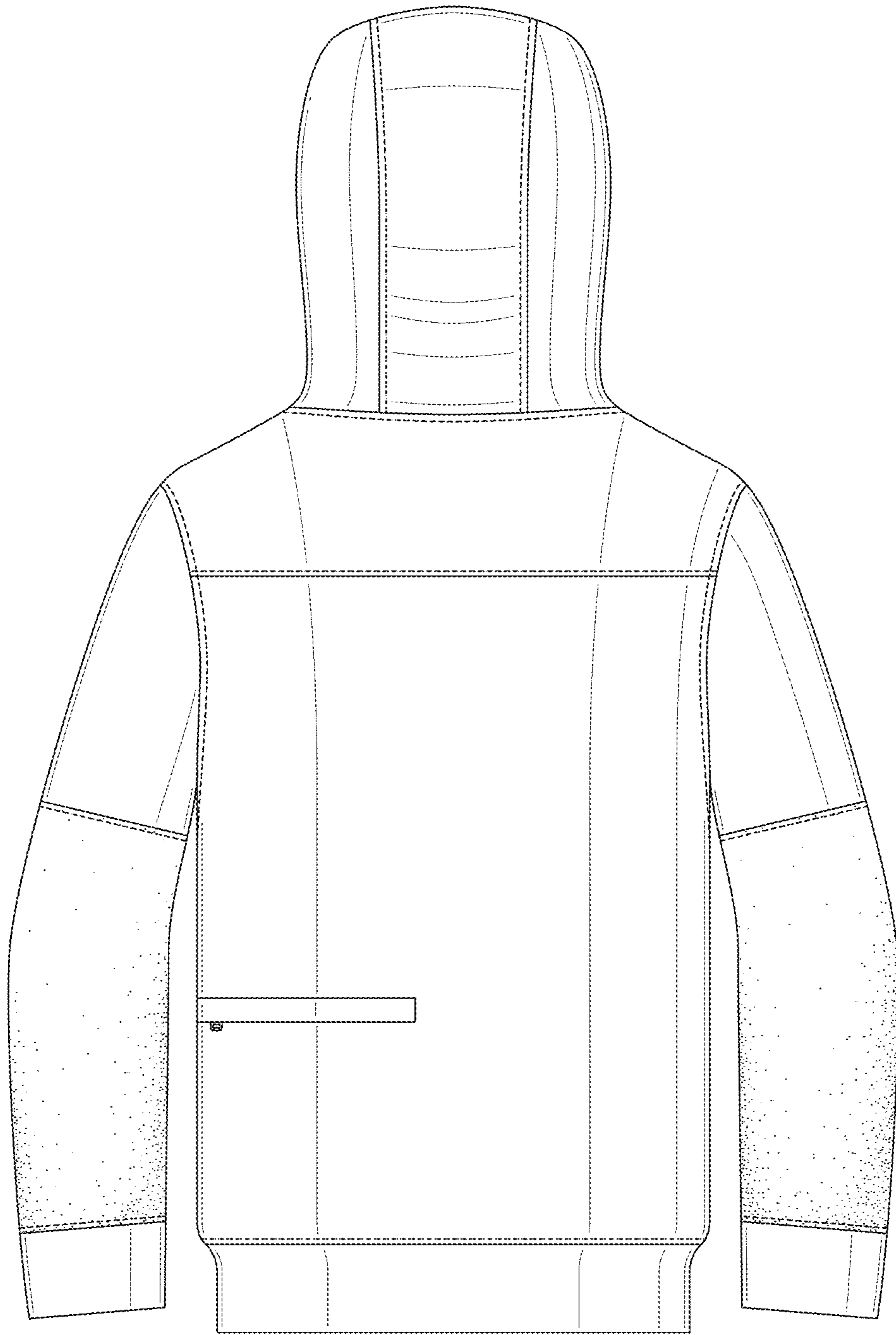


FIG. 10

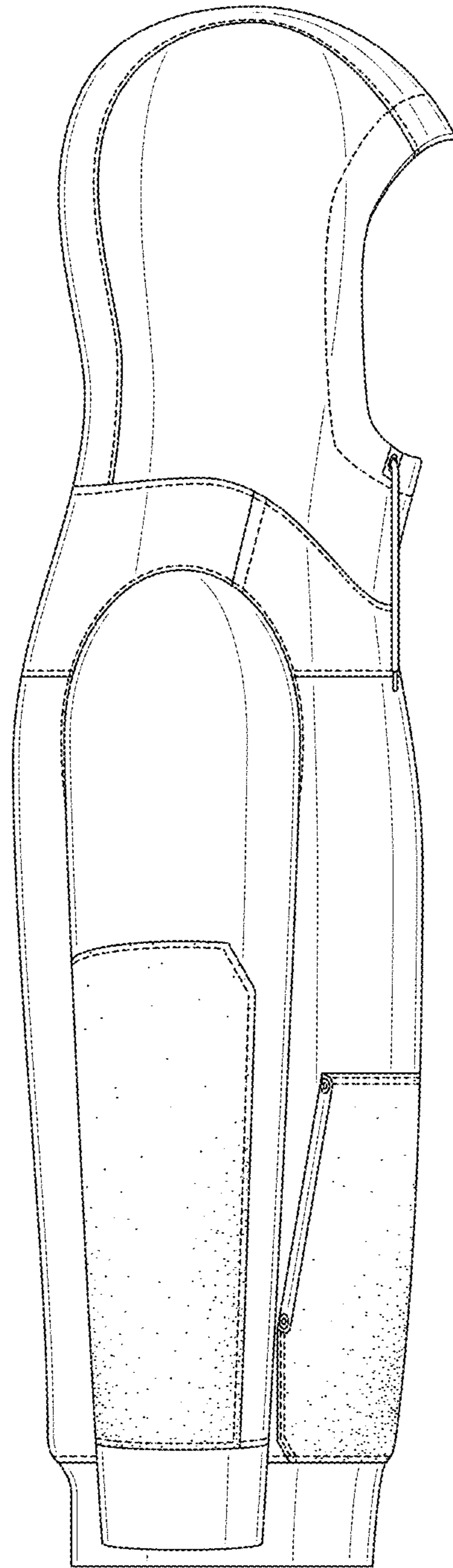


FIG. 11

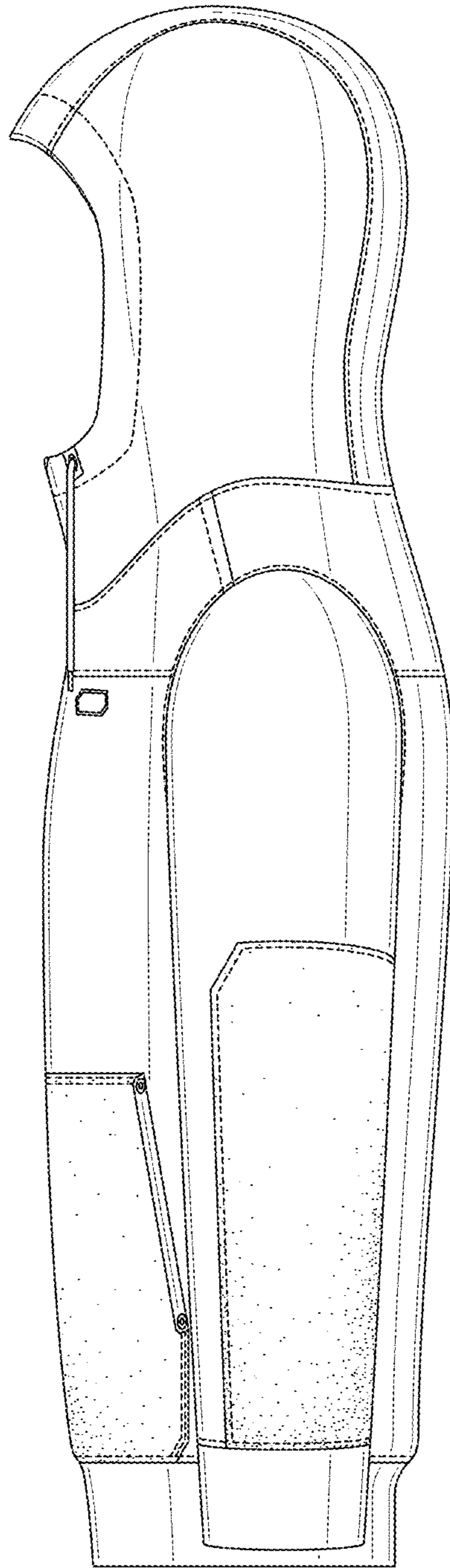


FIG. 12