



US00D809735S

(12) **United States Design Patent**
Venosi

(10) **Patent No.:** **US D809,735 S**

(45) **Date of Patent:** **** Feb. 6, 2018**

(54) **PET BURIAL OR CREMATION BAG**

(71) Applicant: **Sweet Goodbye Pty Ltd**, Dunsborough (AU)

(72) Inventor: **Natalie Venosi**, Dunsborough (AU)

(**) Term: **15 Years**

(21) Appl. No.: **29/568,408**

(22) Filed: **Jun. 17, 2016**

(30) **Foreign Application Priority Data**

Dec. 18, 2015 (AU) 201516932

(51) **LOC (11) Cl.** **99-00**

(52) **U.S. Cl.**
USPC **D99/5; D99/8**

(58) **Field of Classification Search**

USPC D99/5, 8, 10, 11, 12, 14, 17, 25; 27/1, 9, 27/19, 29, 30; 119/843; 128/870, 875, 128/876; 5/627, 628, 482; D24/118, D24/178, 184, 190, 192, 232; D30/109, D30/199; 224/547, 601, 191; D3/214, D3/222, 903, 215, 227, 900, 216; 190/125; 2/69.5

CPC A61G 17/08; A61G 17/00; A61G 1/1044; A61G 1/048; A61G 1/01

See application file for complete search history.

(56) **References Cited**

U.S. PATENT DOCUMENTS

- 1,963,267 A * 6/1934 Harder A61G 19/00 27/26
- 2,283,178 A * 5/1942 Brown A61F 13/49004 604/392
- 2,350,573 A * 6/1944 Smith, Jr. A61G 1/01 5/627

- 2,366,082 A * 12/1944 Baker A61G 1/007 5/628
- 2,503,314 A * 4/1950 Atwood A61G 1/003 280/659
- 2,547,466 A * 4/1951 Hoder A41B 13/06 128/872
- 2,675,564 A * 4/1954 Hughes A61G 1/01 128/870
- D173,089 S * 9/1954 Reich D3/226
- 2,880,427 A * 4/1959 Atwood A61G 1/013 5/184
- 3,034,132 A * 5/1962 Landsberger A41B 13/06 2/69.5
- 3,041,638 A * 7/1962 Lo Vico A45C 9/00 190/2
- 3,088,128 A * 5/1963 Waddington A61G 1/00 5/626
- 3,151,343 A * 10/1964 McCormick A47D 13/02 5/627

(Continued)

Primary Examiner — Paula Allen Greene

(57) **CLAIM**

The ornamental design for a pet burial or cremation bag, as shown and described.

DESCRIPTION

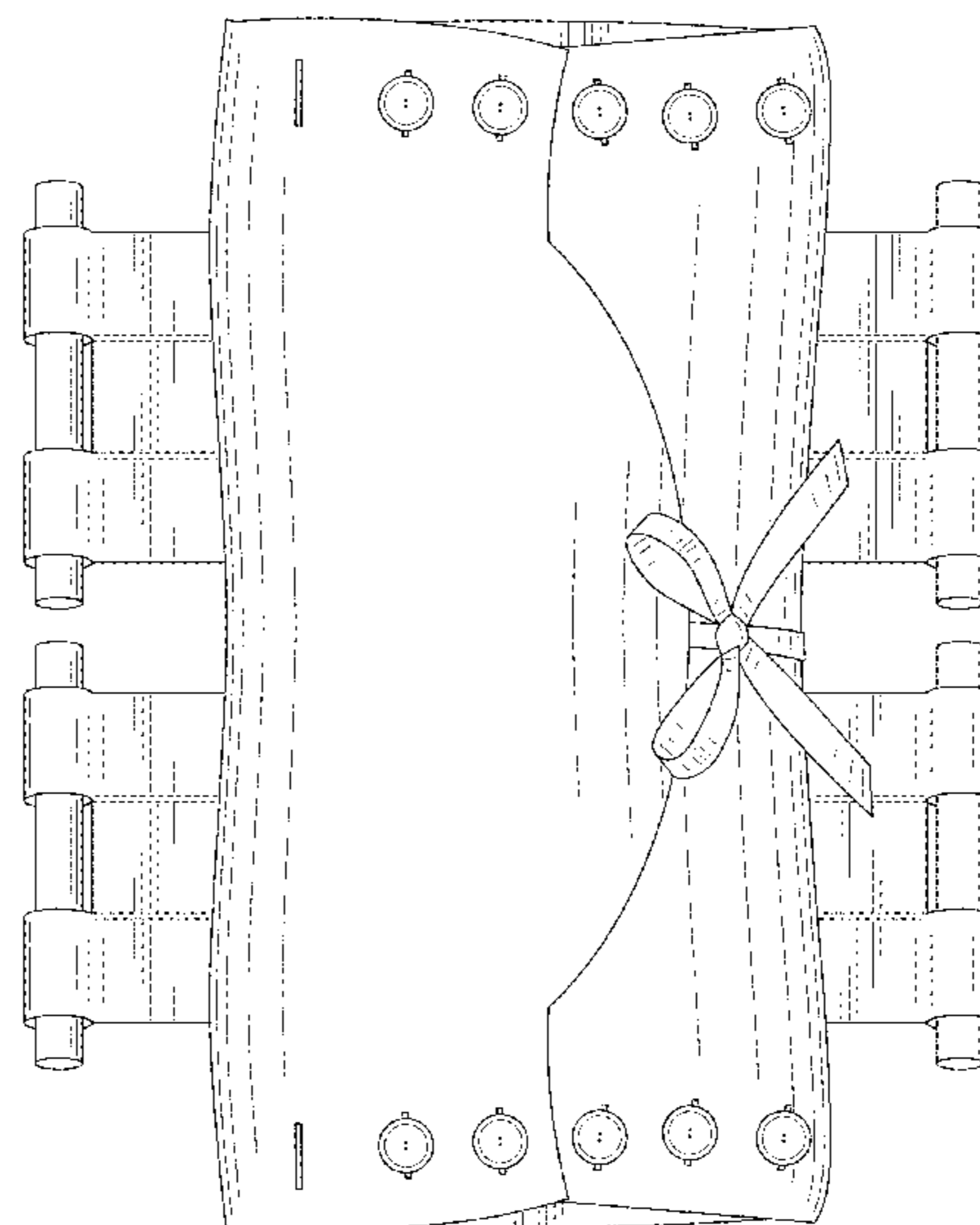
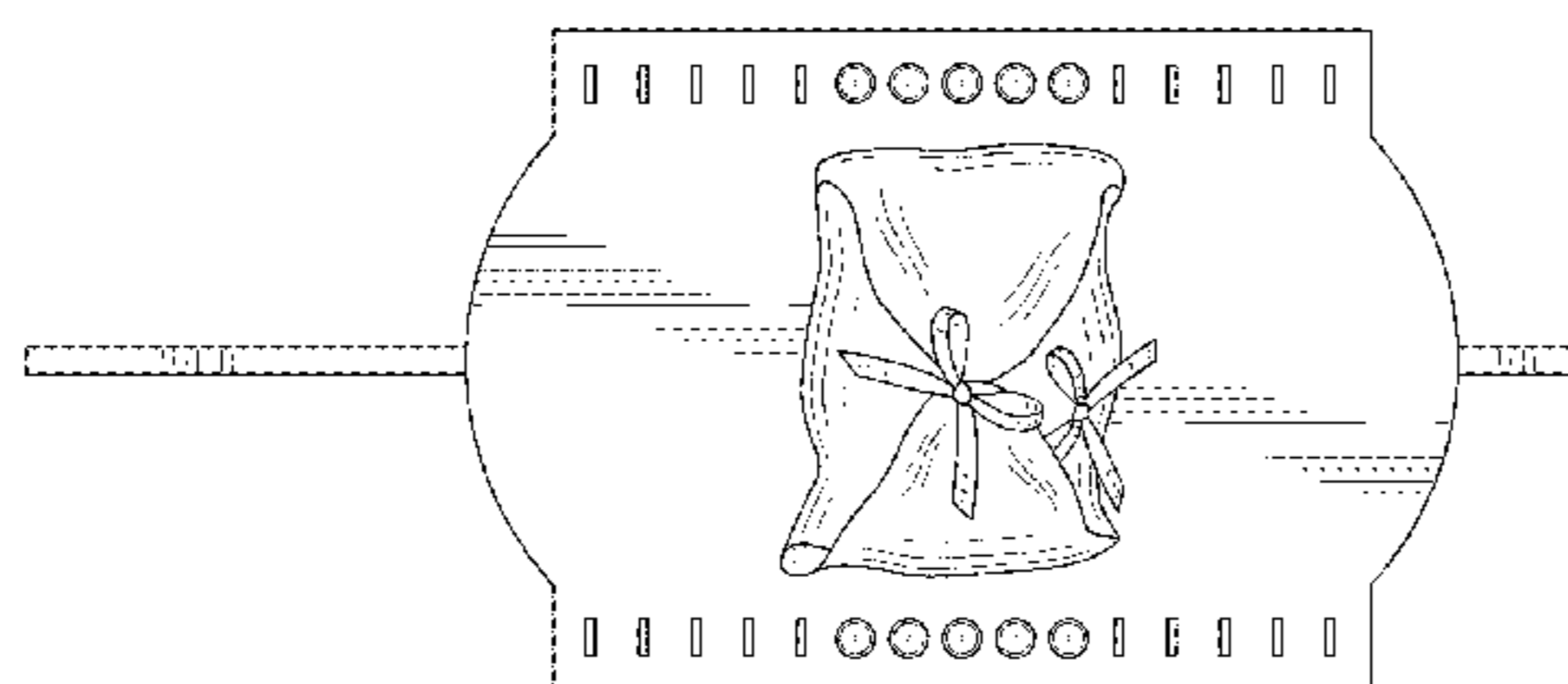
FIG. 1 is a top side plan view of my new design for a pet burial or cremation bag, in an open, unfolded first configuration;

FIG. 2 is a bottom side plan view of my design of FIG. 1; FIG. 3 is a top side plan view of my design, in a second configuration, with an inside layer folded closed and with ties tied together; and,

FIG. 4 is a top side plan view of my design, in a third configuration, with an outer layer folded closed over the inner layer and with buttons buttoned up and with ties tied together, resting on a cradle shown in FIG. 2.

No claim is made to texture, surface finish, or surface ornamentation.

1 Claim, 4 Drawing Sheets



(56)

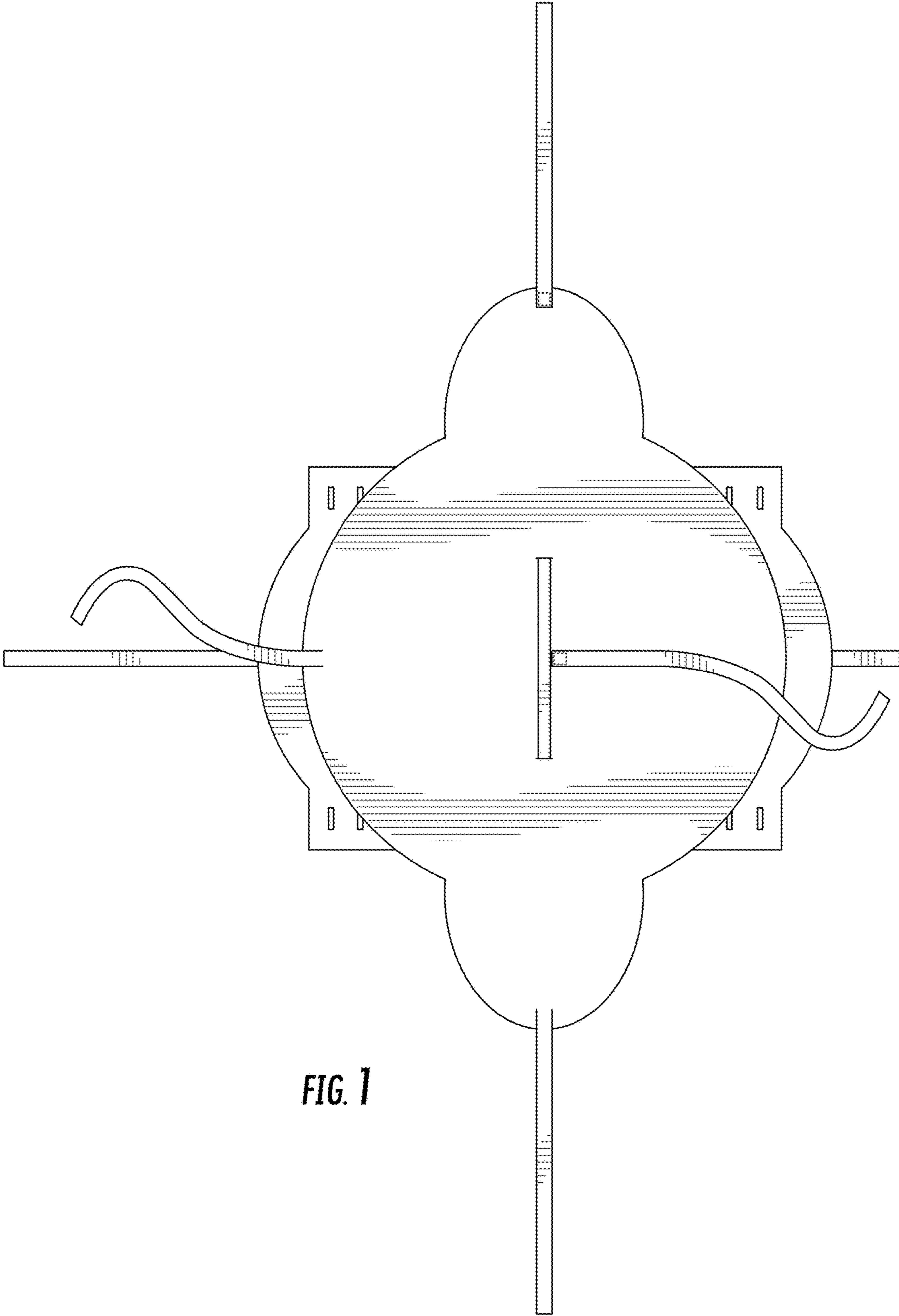
References Cited

U.S. PATENT DOCUMENTS

3,229,873 A * 1/1966 Hershman A47D 13/025
224/160
3,323,150 A * 6/1967 Render A47D 15/008
128/872
3,476,108 A * 11/1969 Matukas A61F 5/37
128/879
3,481,517 A * 12/1969 Aukerman A47D 13/025
224/160
3,489,194 A * 1/1970 Hoover A45C 9/00
190/1
3,547,079 A * 12/1970 Bassett A01K 1/0254
119/497
3,658,964 A * 4/1972 Pocilujko A61K 31/19
514/568
3,737,923 A * 6/1973 Prolo A61G 1/01
128/870
3,739,399 A * 6/1973 Sheahon A41B 13/06
2/69.5
3,775,784 A * 12/1973 Fry A61G 1/003
5/81.1 C
4,008,687 A * 2/1977 Keys A01K 1/0353
119/482
4,137,870 A * 2/1979 Cano A01K 13/006
119/416
4,186,453 A * 2/1980 Burns A61G 1/044
5/494
4,428,514 A * 1/1984 Elf A47D 13/025
224/155
D277,811 S * 3/1985 Moore D3/214
4,577,591 A * 3/1986 Wesseldine A01K 23/00
119/850
4,597,121 A * 7/1986 Bouma A41B 13/06
2/69
D289,806 S * 5/1987 Hadaway D30/151
4,667,355 A * 5/1987 Nishijima A61G 1/003
5/625
D302,610 S * 8/1989 Slawinski D30/109
4,886,150 A * 12/1989 Fitzsimmons A45C 9/00
190/1
D313,291 S * 12/1990 Shanley D30/145
5,046,204 A * 9/1991 Mohler A41B 13/06
2/69

5,060,597 A * 10/1991 Fredericks A01K 13/003
119/678
D322,695 S * 12/1991 LaDue 224/159
5,121,742 A * 6/1992 Engen A61F 5/0125
602/16
5,121,743 A * 6/1992 Bishop A61F 5/05866
128/879
5,211,186 A * 5/1993 Shoemaker A61F 5/05883
128/869
5,341,548 A * 8/1994 Zerick A22B 7/008
190/125
D356,210 S * 3/1995 Howell D3/227
5,402,869 A * 4/1995 Saltzman A45C 7/0086
150/113
5,662,640 A * 9/1997 Daniels A01K 23/00
119/856
5,950,261 A * 9/1999 Hay A41B 13/06
2/69
6,052,877 A * 4/2000 Richard A22B 7/008
27/1
D425,696 S * 5/2000 Swanke D3/213
D438,361 S * 2/2001 Robinson D99/5
D443,400 S * 6/2001 Robinson D99/5
D579,172 S * 10/2008 Mytych D99/5
D629,584 S * 12/2010 Riehl D99/5
D632,455 S * 2/2011 School D99/5
D636,452 S * 4/2011 Majors D21/803
D654,245 S * 2/2012 School D99/5
D725,734 S * 3/2015 Sosnowski D21/803
D741,064 S * 10/2015 Ramos D3/299
D786,425 S * 5/2017 Fahl D24/118
2004/0019969 A1 * 2/2004 Gatten A41B 13/06
5/482
2009/0260203 A1 * 10/2009 Baumhauer A61G 17/06
27/1
2011/0119831 A1 * 5/2011 Rincon A61G 1/01
5/627
2014/0174378 A1 * 6/2014 Bartholomew A61G 1/01
119/843
2015/0150386 A1 * 6/2015 Patel A47D 15/008
5/424
2015/0283007 A1 * 10/2015 Carlson A61G 1/013
5/627
2016/0051424 A1 * 2/2016 Starr A61G 7/1023
128/876

* cited by examiner



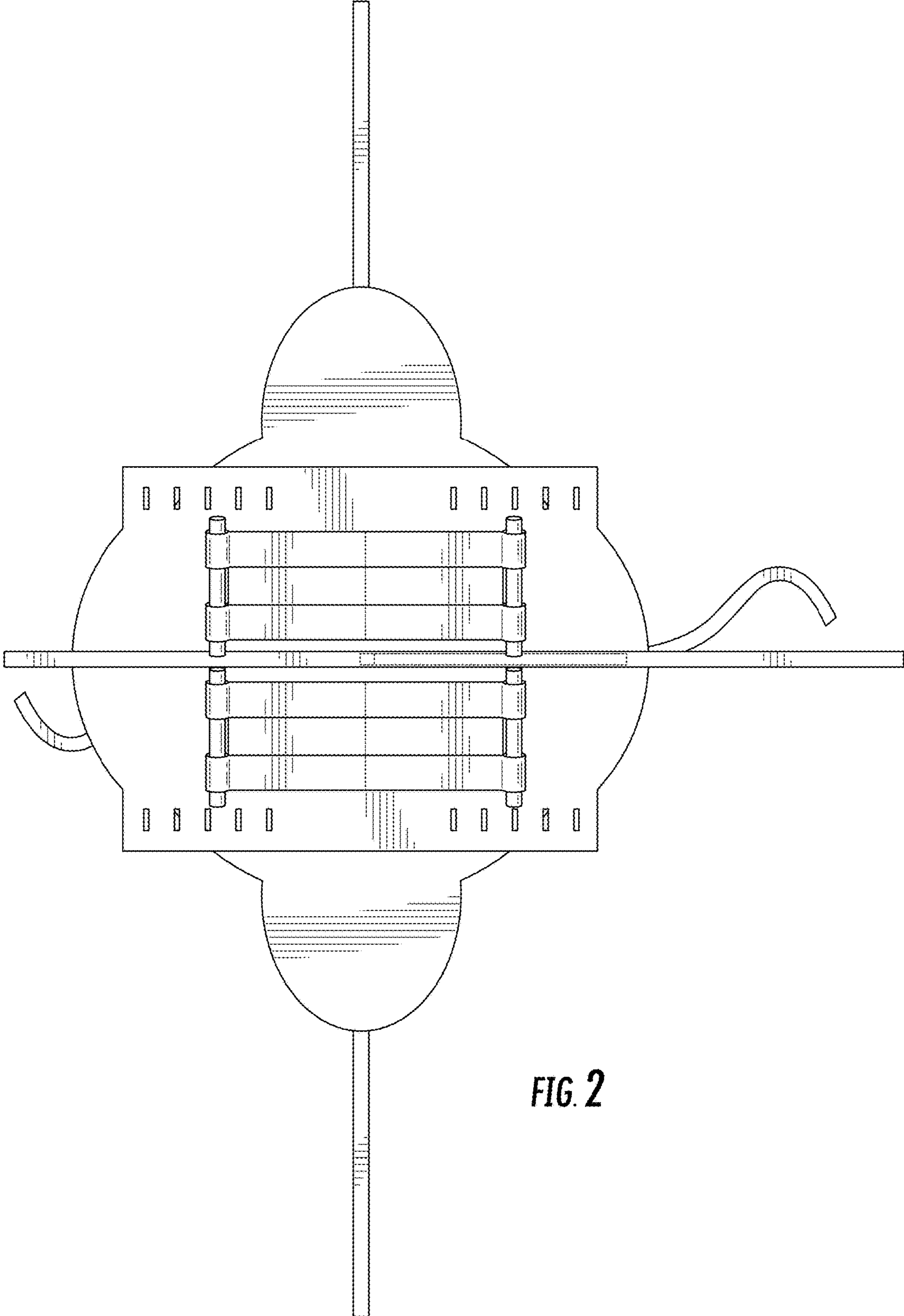


FIG. 2

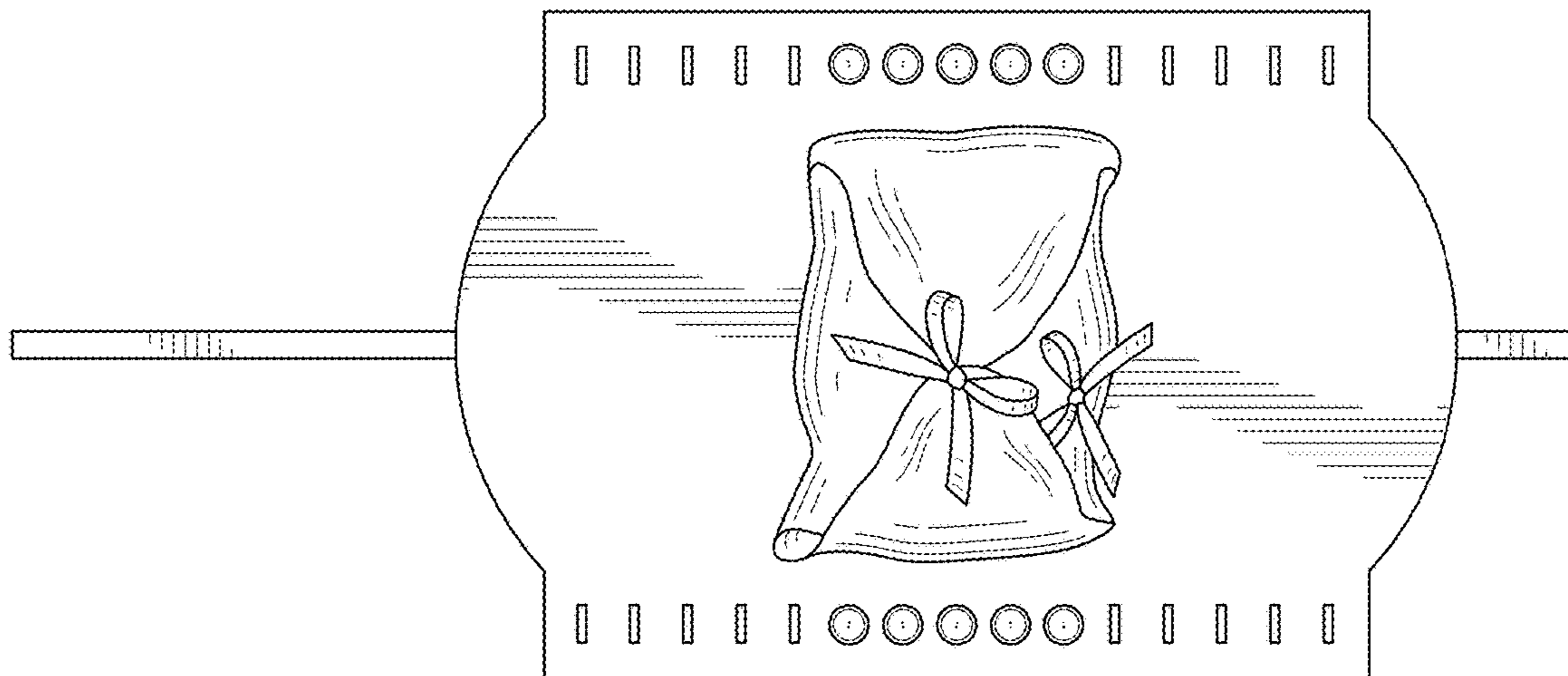


FIG. 3

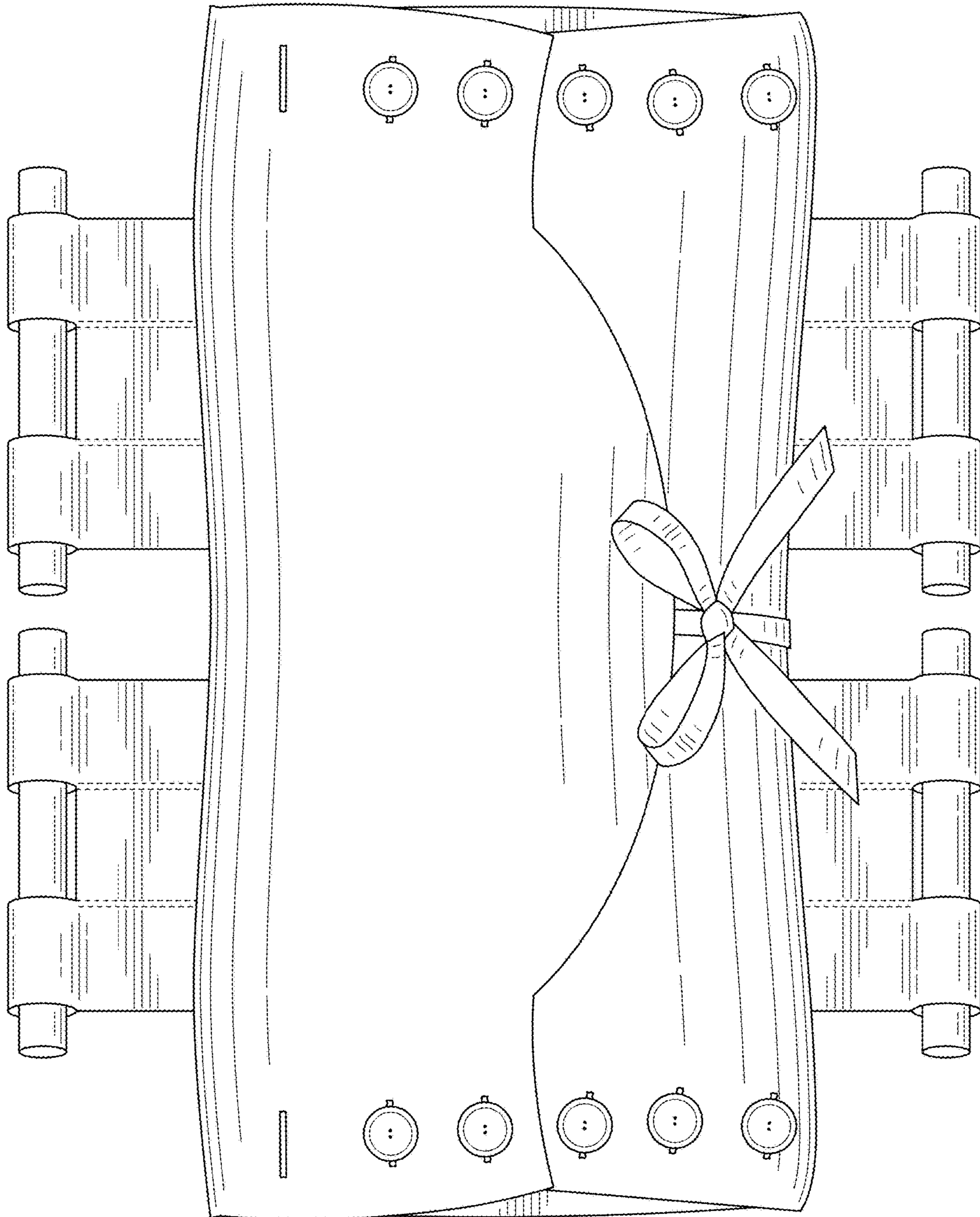


FIG. 4