



US00D809734S

(12) **United States Design Patent** (10) **Patent No.:** **US D809,734 S**
Kennard et al. (45) **Date of Patent:** **** Feb. 6, 2018**

(54) **LIFTING DEVICE**
(71) Applicant: **Theodosier Pty Ltd**, Naremburn (AU)
(72) Inventors: **Rory Campbell Kennard**, Artarmon (AU); **Michael Chen**, Artarmon (AU); **Thomas Barna**, Artarmon (AU)
(73) Assignee: **THEODOSIER PTY LTD**, Naremburn, NSW (AU)

D320,686 S * 10/1991 Still D34/34
D322,948 S * 1/1992 DeMichele D12/101
5,224,612 A 7/1993 Shirley
5,261,640 A 11/1993 Yuan
5,597,081 A 1/1997 Shirley
D407,999 S * 4/1999 Greaves D12/128
D583,518 S * 12/2008 Thorner D30/151
7,669,255 B2 3/2010 Raney
7,712,582 B2 5/2010 Burton et al.

(Continued)

(**) Term: **15 Years**
(21) Appl. No.: **29/565,009**
(22) Filed: **May 17, 2016**

(30) **Foreign Application Priority Data**
Feb. 19, 2016 (EP) 002993378
(51) **LOC (11) Cl.** **12-05**
(52) **U.S. Cl.**
USPC **D34/34**
(58) **Field of Classification Search**
USPC D34/1, 28, 31, 34; D12/14, 101;
414/563, 426, 522, 539; 280/402, 414.1,
280/656
CPC B60P 1/483
See application file for complete search history.

(56) **References Cited**
U.S. PATENT DOCUMENTS
2,675,209 A 4/1954 Freed
2,804,979 A 9/1957 Lassiter
4,118,010 A 10/1978 Hanscom
4,135,627 A 1/1979 McInerney
D274,571 S * 7/1984 Vermette D34/34
4,586,724 A * 5/1986 Sargent A01B 59/04
280/656
D288,912 S * 3/1987 Lucas D12/101
D301,127 S * 5/1989 Lindblom D12/14
4,934,659 A 6/1990 Yoke

OTHER PUBLICATIONS

Amazon " Dragway Tools 3 Ton 6000 LB Heavy Duty Engine Hoist Cherry Picker Shop Crane ", www.Amazon.com. Jul. 6, 2010. shown in p. 1, Item # B00295PBCG.*

(Continued)

Primary Examiner — Cynthia Ramirez
Assistant Examiner — Michael A Maharajh
(74) *Attorney, Agent, or Firm* — Whitham, Curtis & Cook, P.C.

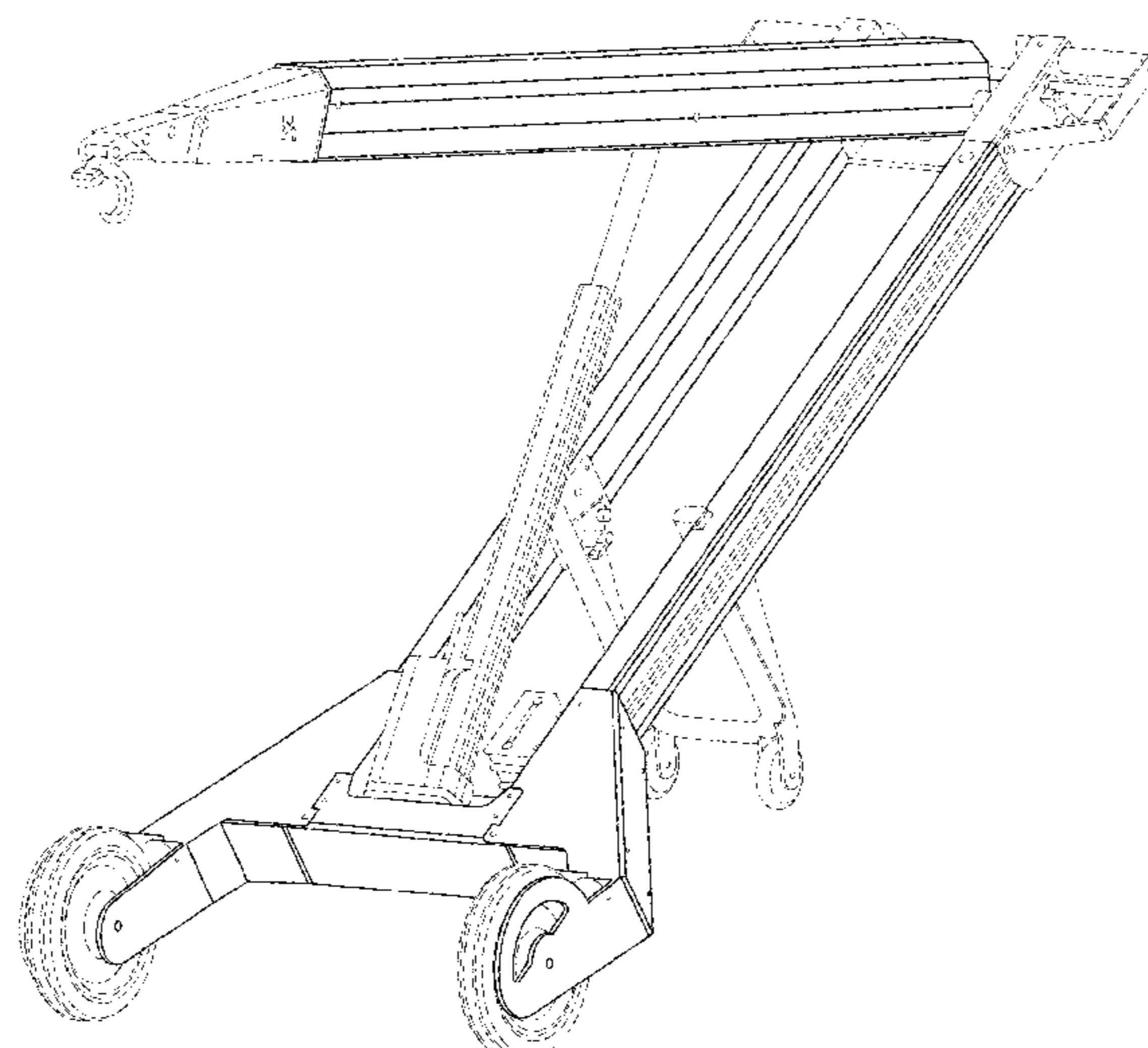
(57) **CLAIM**

The ornamental design for a lifting device, as shown and described.

DESCRIPTION

FIG. 1 is an isometric view of a lifting device, showing our new design;
FIG. 2 is a top plan view of the lifting device;
FIG. 3 is a bottom plan view of the lifting device;
FIG. 4 is a right side view of the lifting device;
FIG. 5 is a left side view of the lifting device;
FIG. 6 is a front view of the lifting device; and,
FIG. 7 is a rear view of the lifting device.
The broken lines shown in the figures are for the purpose of illustrating portions of the lifting device and form no part of the claimed design.

1 Claim, 7 Drawing Sheets



(56)

References Cited

U.S. PATENT DOCUMENTS

2007/0246911 A1* 10/2007 Sawyer B60P 3/1033
280/414.1
2015/0123059 A1* 5/2015 West B62B 3/0612
254/9 R

OTHER PUBLICATIONS

Probst Handling Equipment. "Uni Mobile UM". <<http://probst.com.au/products/vacuum/um.htm>> Retrieved Nov. 13, 2014.

* cited by examiner

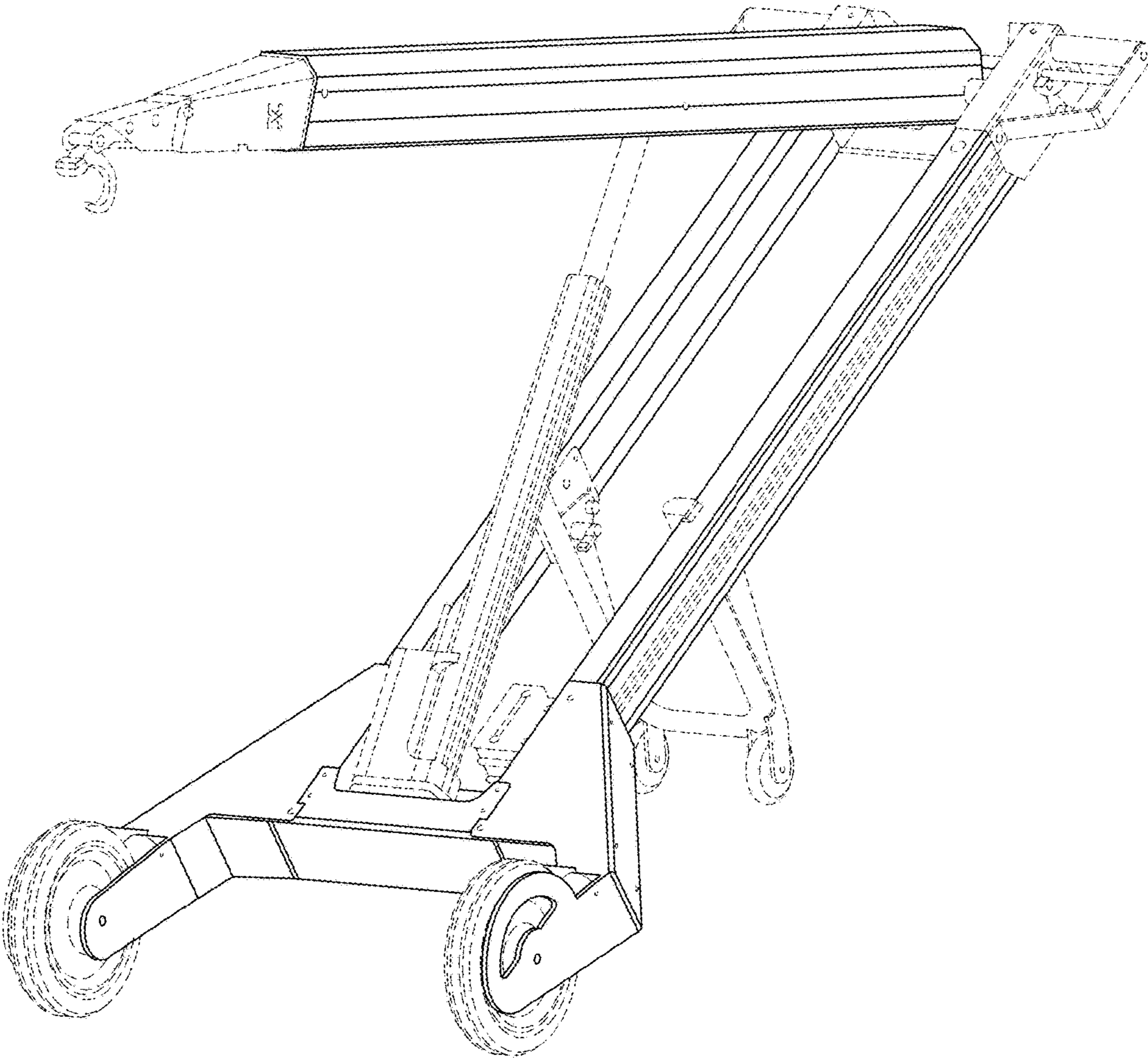


FIG. 1

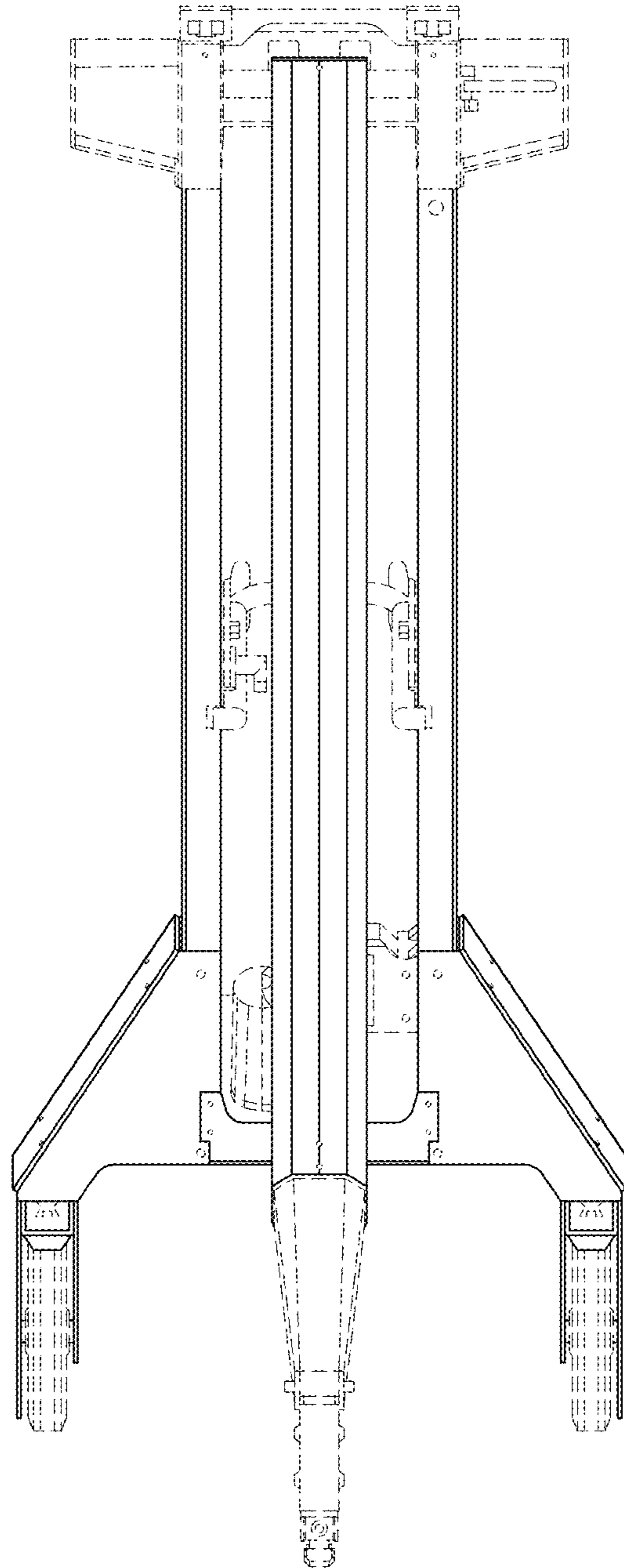


FIG. 2

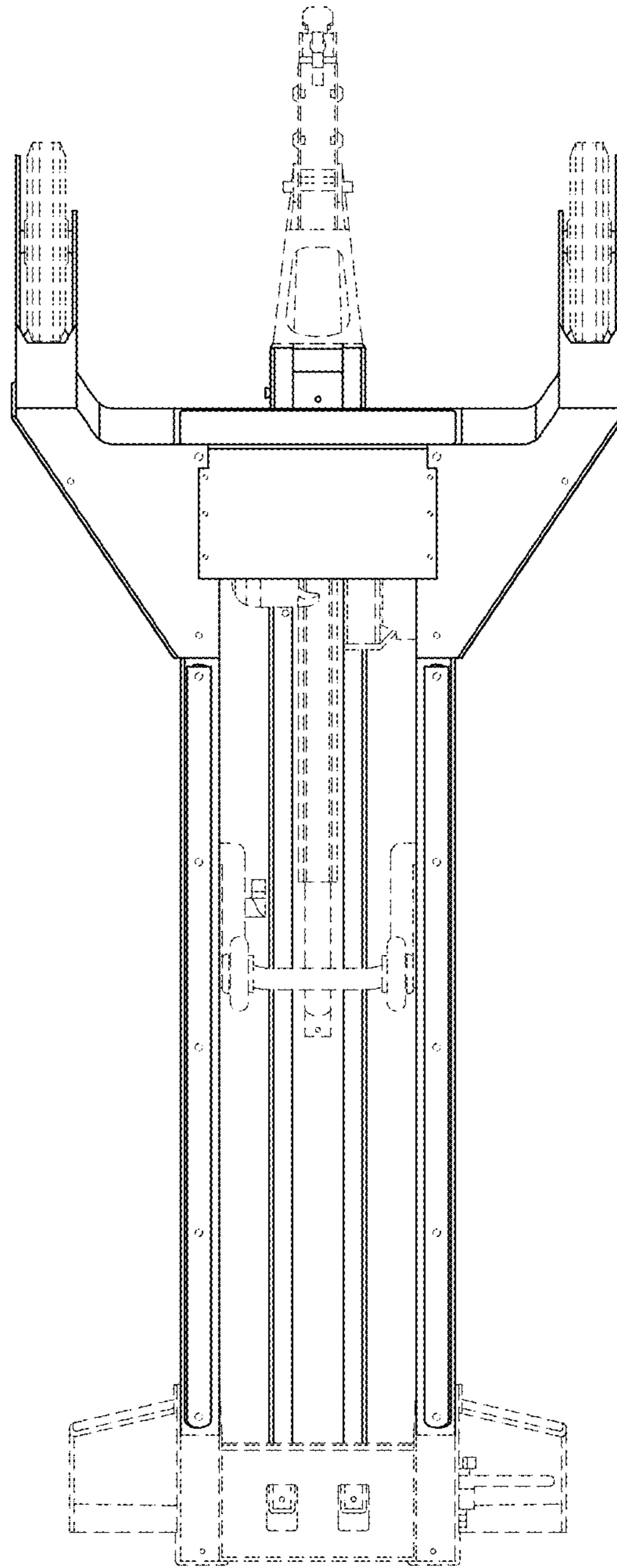


FIG. 3

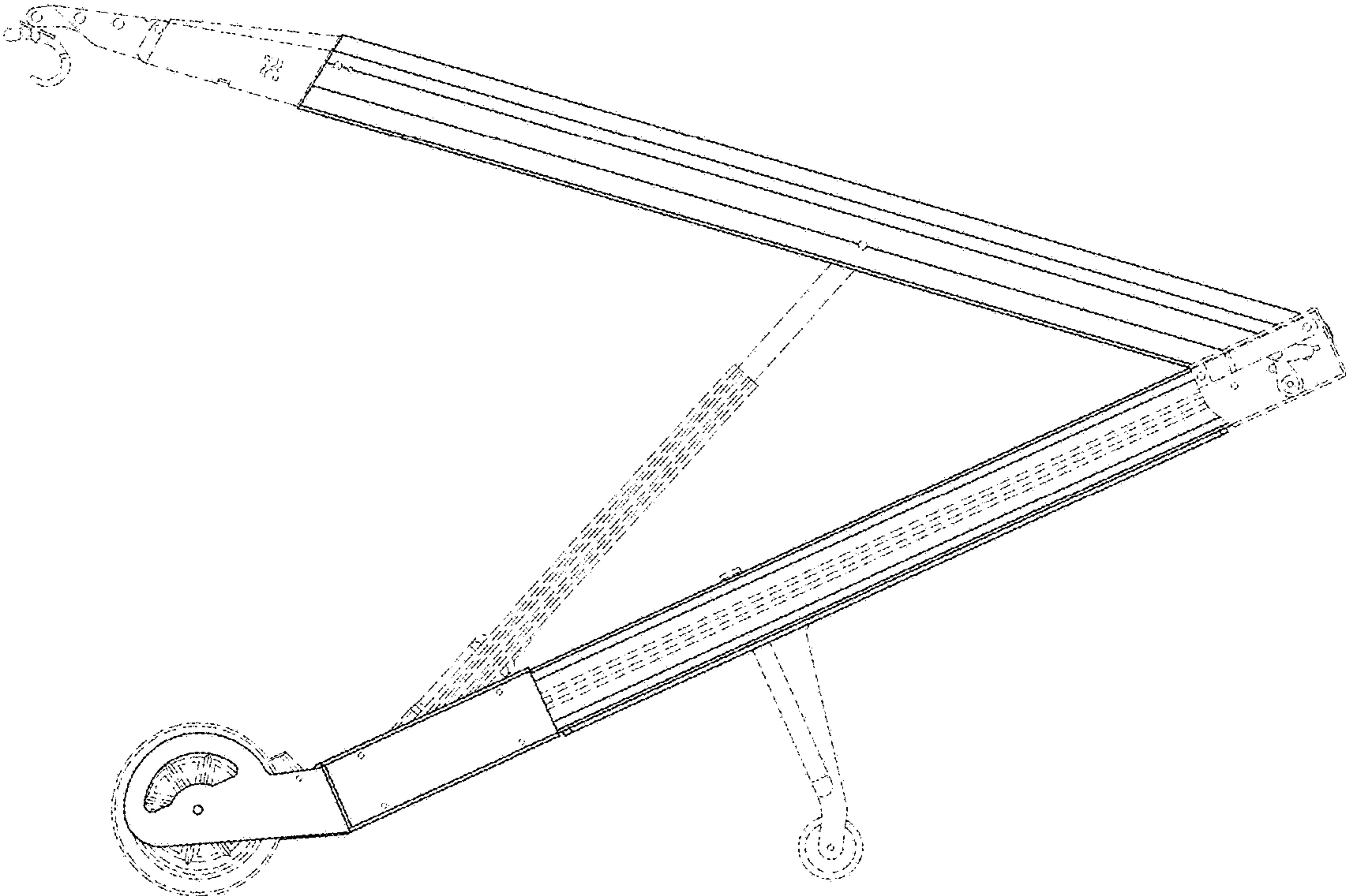


FIG. 4

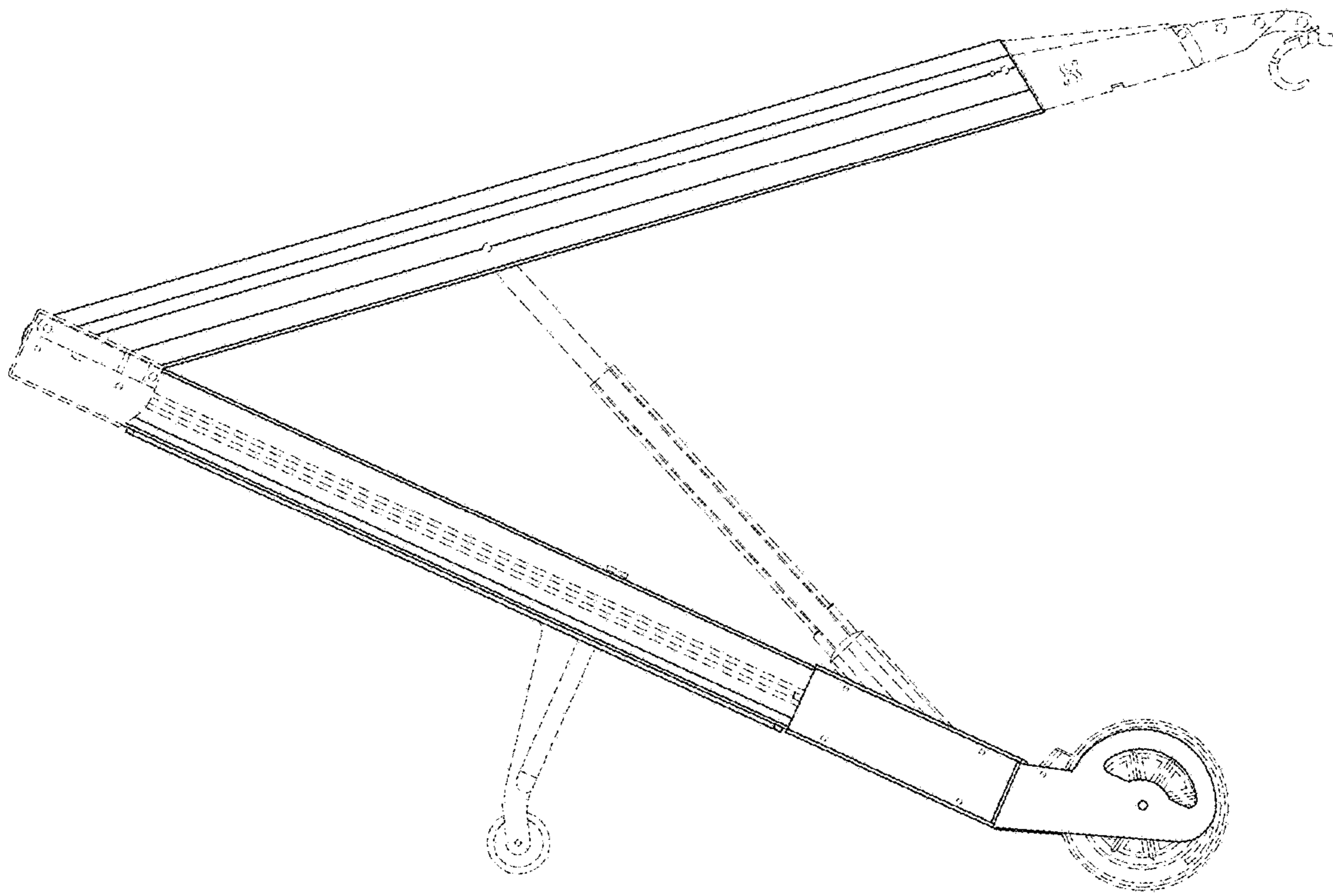


FIG. 5

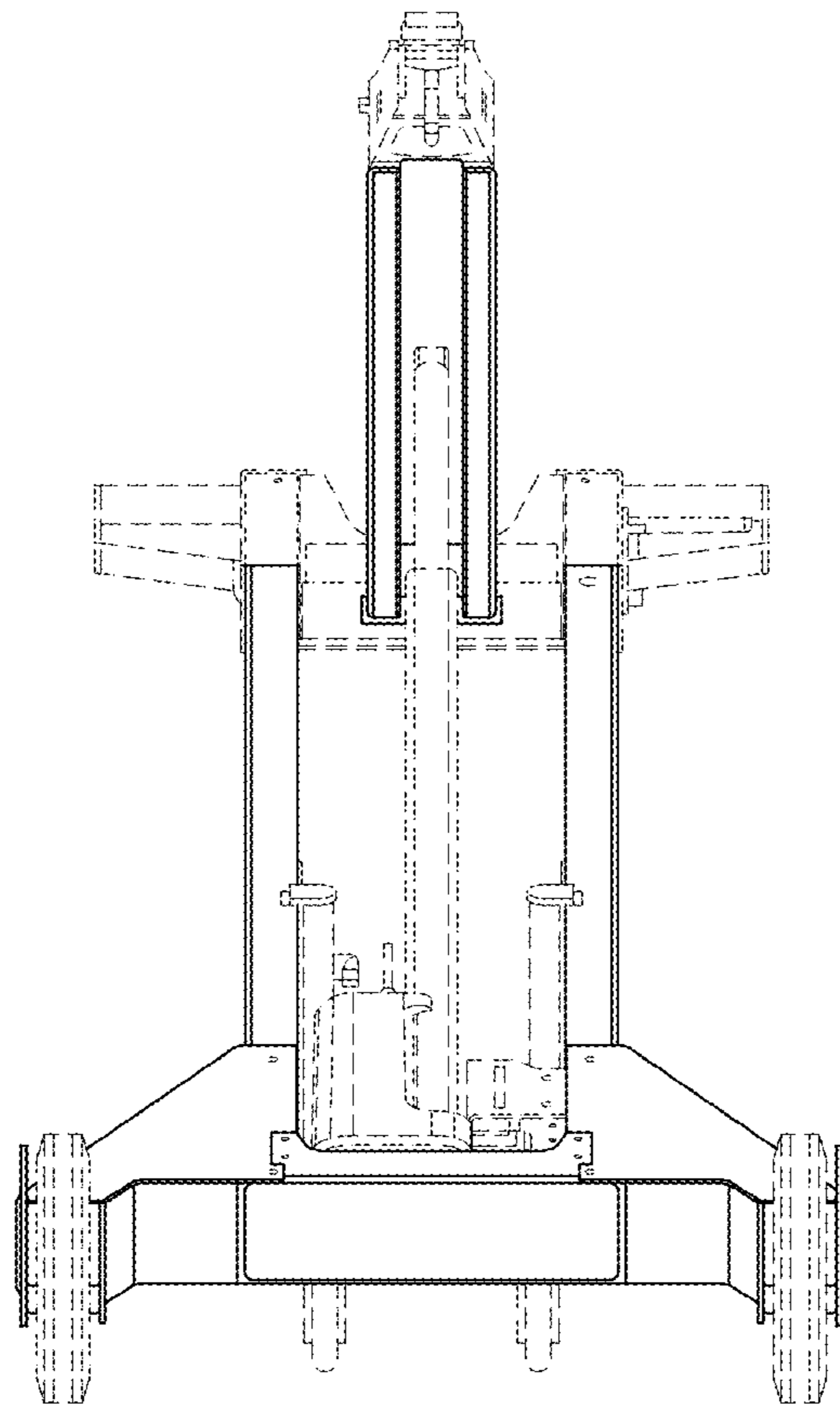


FIG. 6

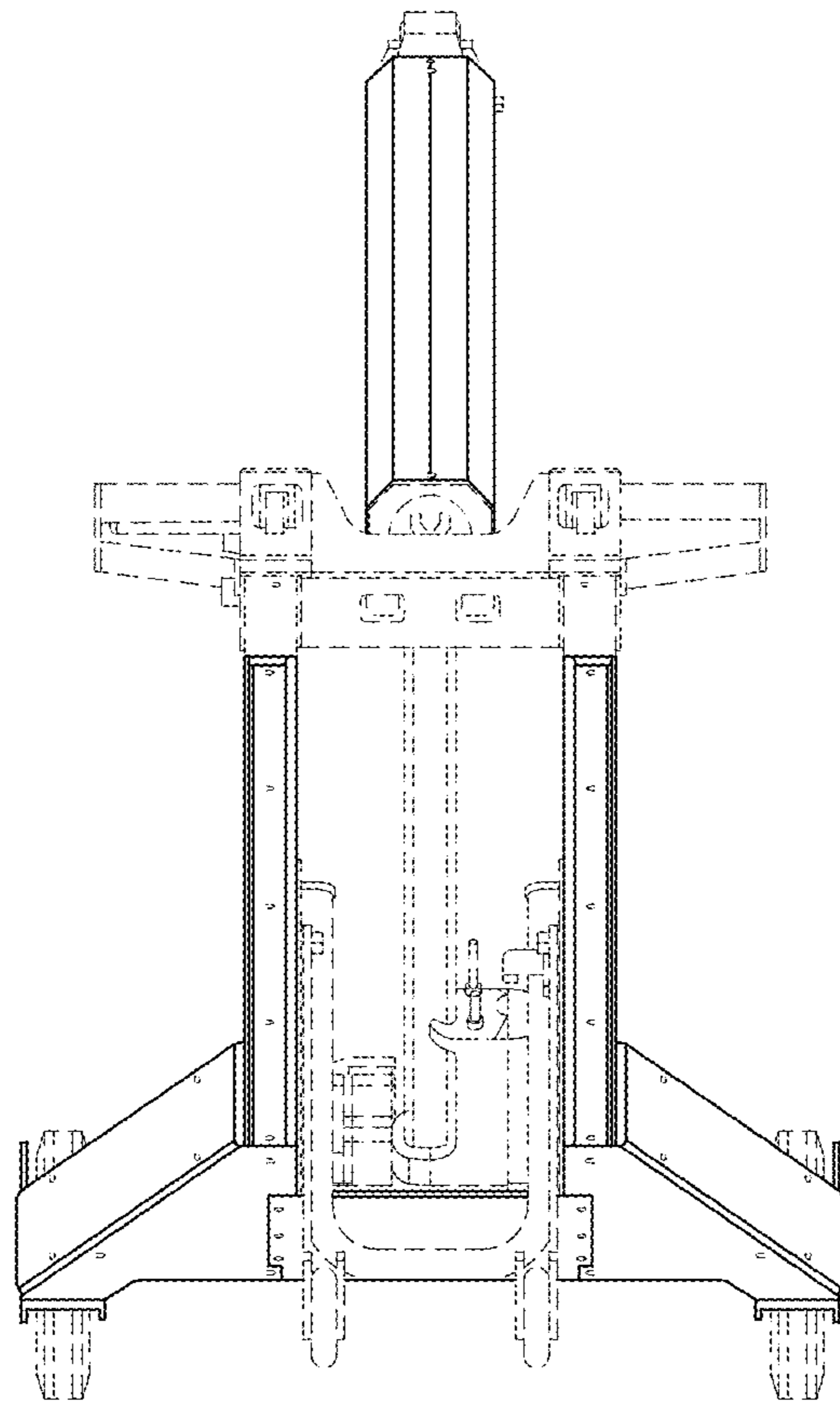


FIG. 7