



US00D809733S

(12) **United States Design Patent**
Newgent et al.

(10) **Patent No.: US D809,733 S**
(45) **Date of Patent: ** Feb. 6, 2018**

- (54) **PALLET JACK REEL STAND**
- (71) Applicants: **James Newgent**, Magnolia, TX (US);
Tammy Newgent, Magnolia, TX (US)
- (72) Inventors: **James Newgent**, Magnolia, TX (US);
Tammy Newgent, Magnolia, TX (US)
- (**) Term: **15 Years**
- (21) Appl. No.: **29/595,595**
- (22) Filed: **Feb. 28, 2017**
- (51) **LOC (11) Cl. 12-05**
- (52) **U.S. Cl.**
USPC **D34/31**
- (58) **Field of Classification Search**
USPC D34/28, 31, 33, 34, 35, 36, 38;
280/43.12, 38, 481, 43.23; 414/911;
242/423.1, 129.6, 559.1; 254/100, 134
CPC B62B 3/06; B62B 3/0606; B62B 2203/20;
B62B 2207/04; B66F 9/12; B66F 9/06;
B65H 2405/422; B65H 75/40; B65H
19/12
See application file for complete search history.

- 3,298,667 A * 1/1967 Grantham B66F 3/08
254/100
- 4,030,679 A * 6/1977 Pelletier B65H 16/06
242/559.1
- D419,741 S * 1/2000 Johansson D34/31
- D530,878 S * 10/2006 Ruppert D34/23
- D640,031 S * 6/2011 Kretschmer D34/34

* cited by examiner

Primary Examiner — Cynthia Ramirez
Assistant Examiner — Gino Colan
(74) *Attorney, Agent, or Firm* — Law Office of Jeff
Williams; J. Oliver Williams

(57) **CLAIM**

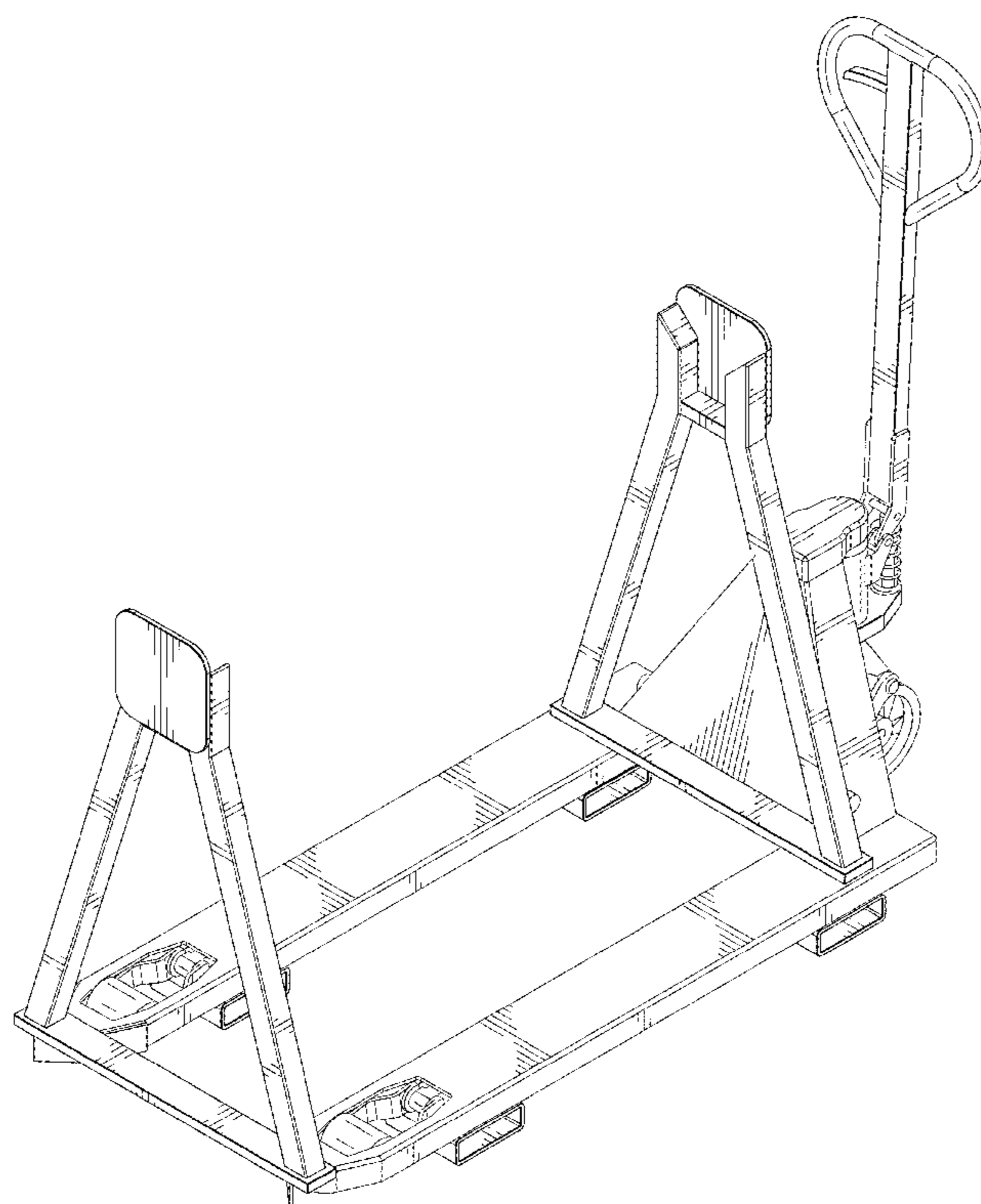
The ornamental design for a pallet jack reel stand, as shown and described.

DESCRIPTION

FIG. 1 is an isometric view of a pallet jack reel stand showing our new design.
FIG. 2 is a front view of the pallet jack reel stand of FIG. 1.
FIG. 3 is a rear view of the pallet jack reel stand of FIG. 1.
FIG. 4 is a right view of the pallet jack reel stand of FIG. 1.
FIG. 5 is a left view of the pallet jack reel stand of FIG. 1.
FIG. 6 is a top view of the pallet jack reel stand of FIG. 1; and,
FIG. 7 is a bottom view of the pallet jack reel stand of FIG. 1.

1 Claim, 7 Drawing Sheets

- (56) **References Cited**
U.S. PATENT DOCUMENTS
1,629,644 A * 5/1927 Speirs E21B 19/008
242/129.6
3,286,985 A * 11/1966 Edera B66F 3/42
280/43.23



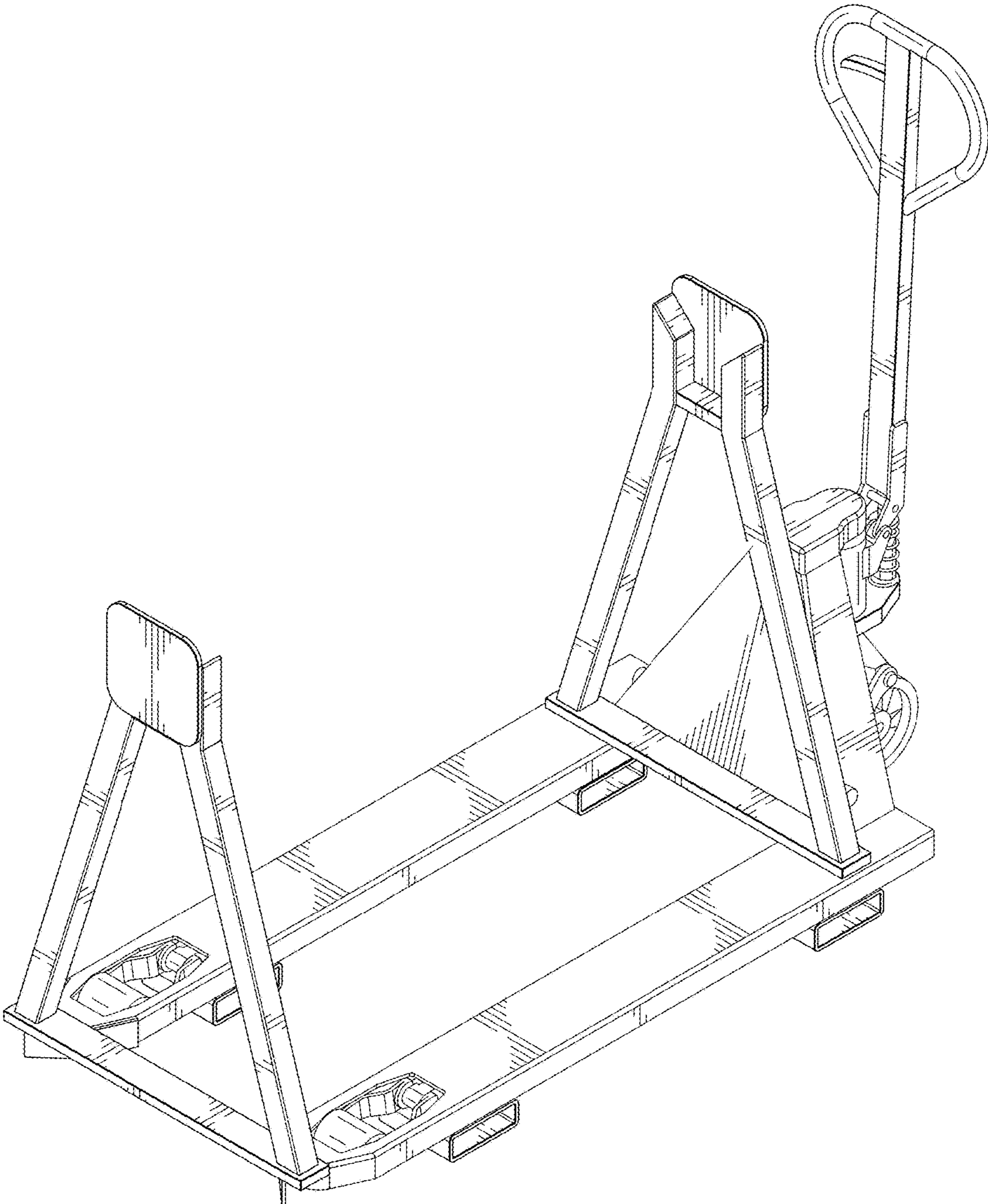


FIG. 1

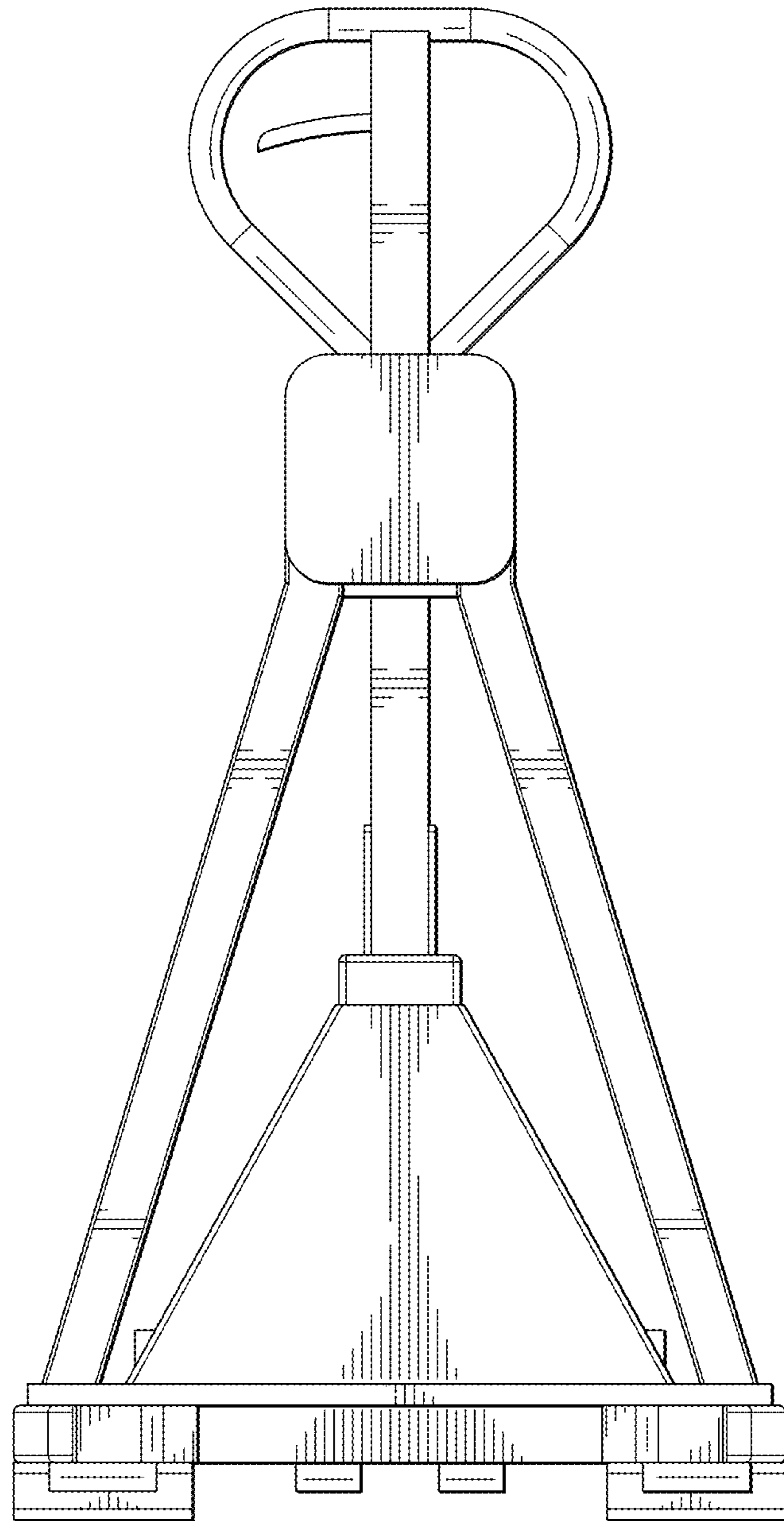


FIG. 2

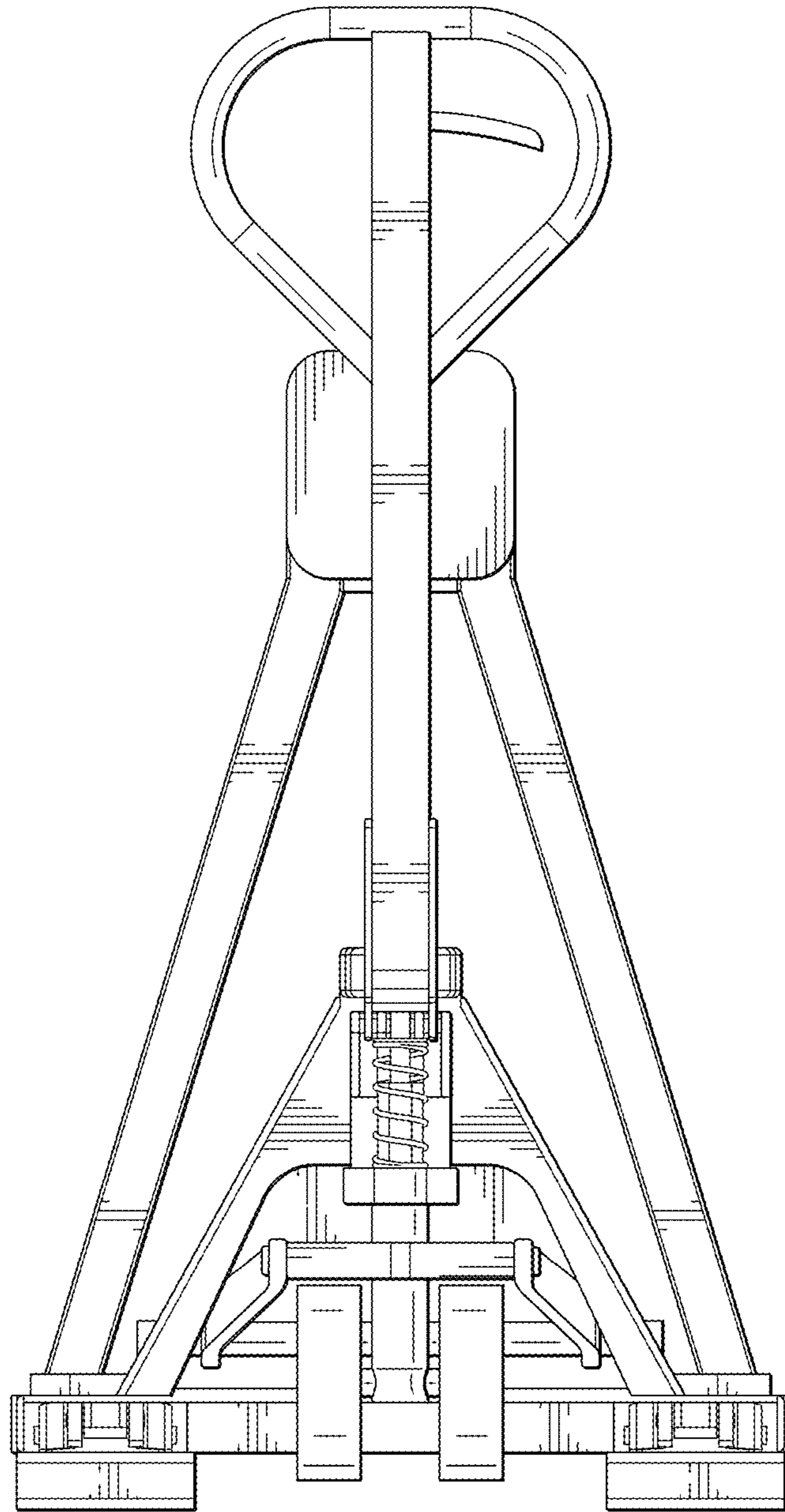


FIG. 3

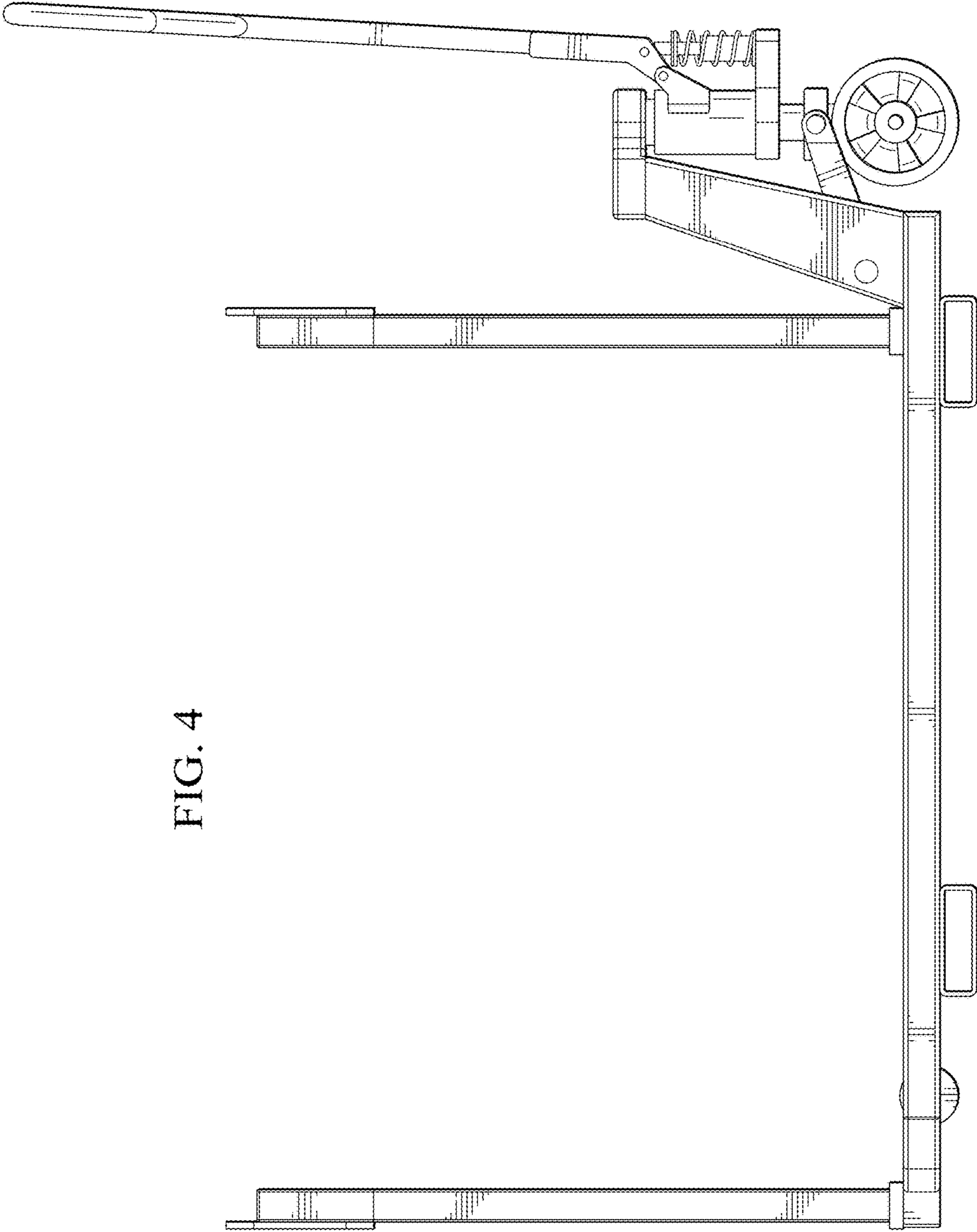
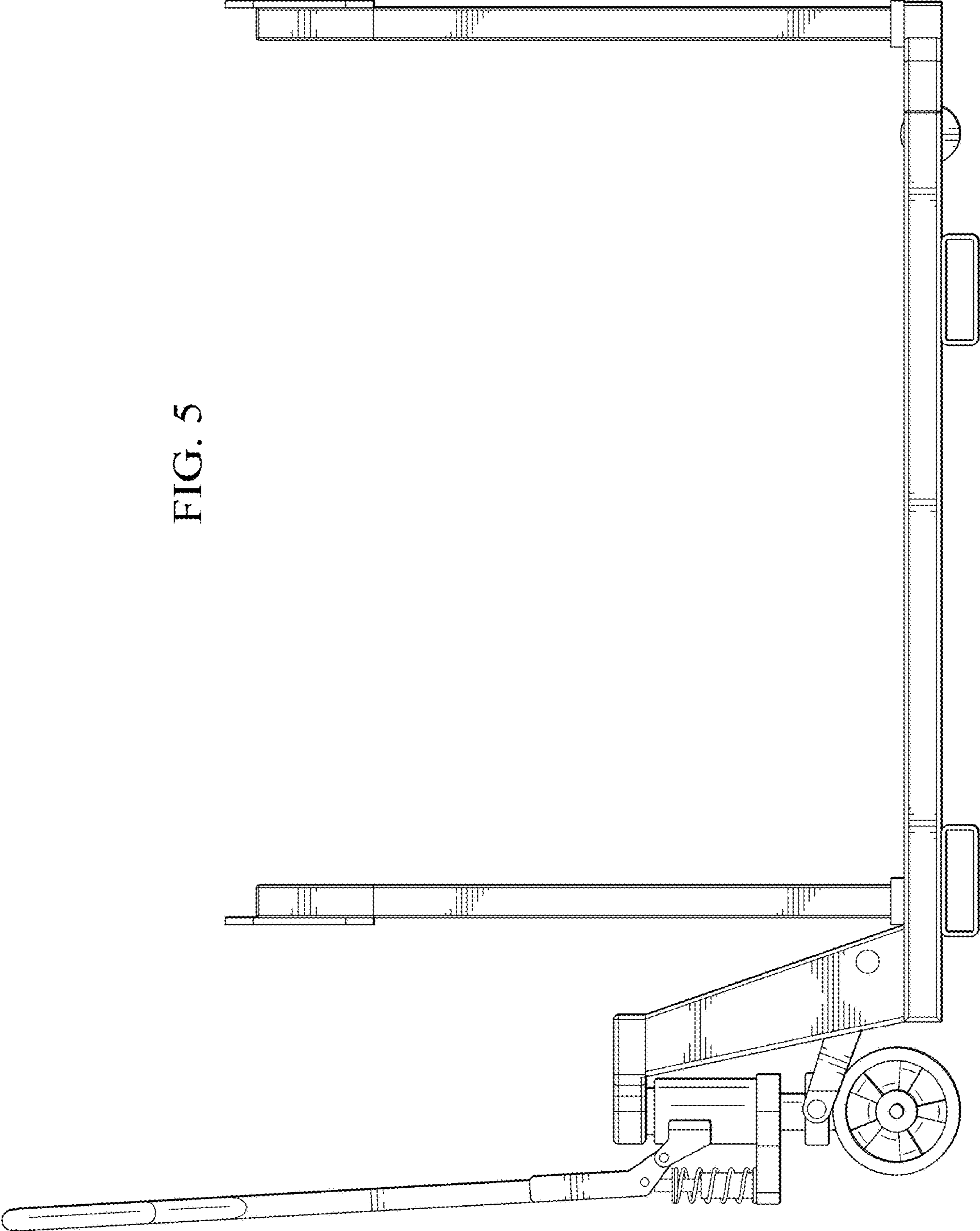


FIG. 4

FIG. 5



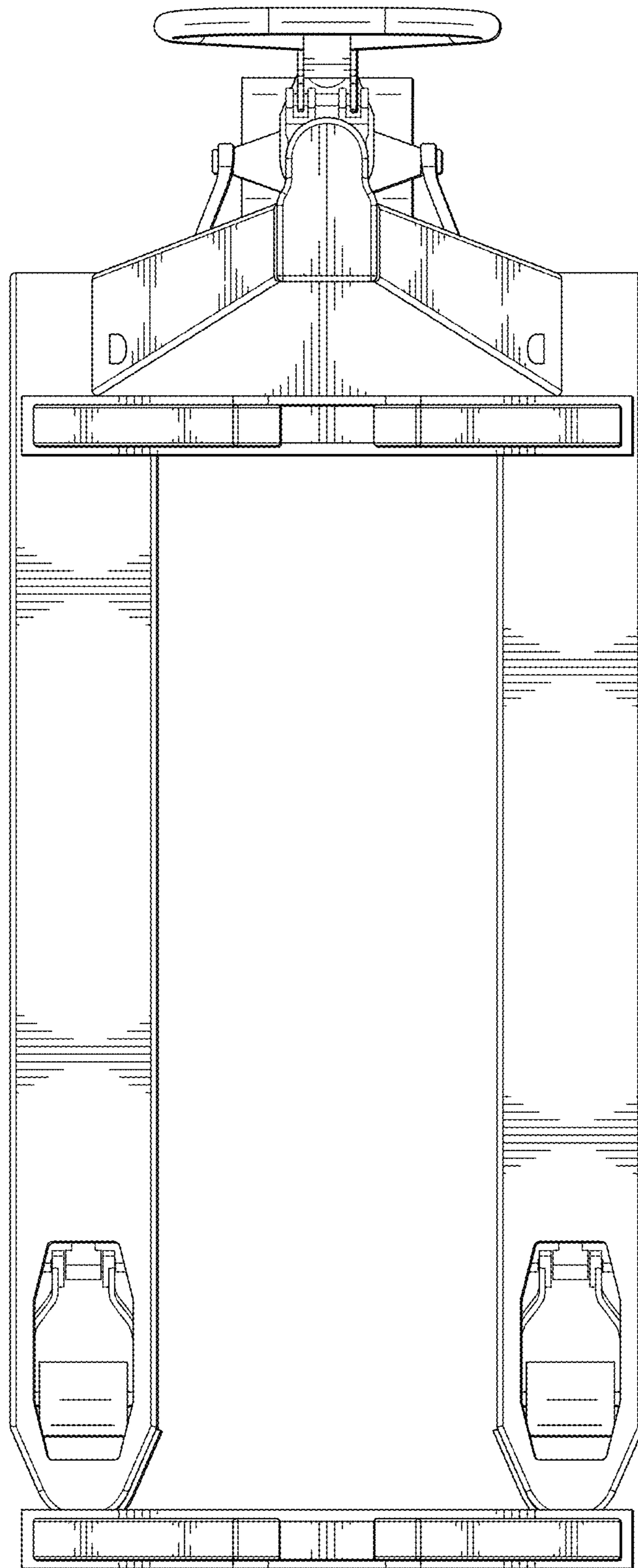


FIG. 6

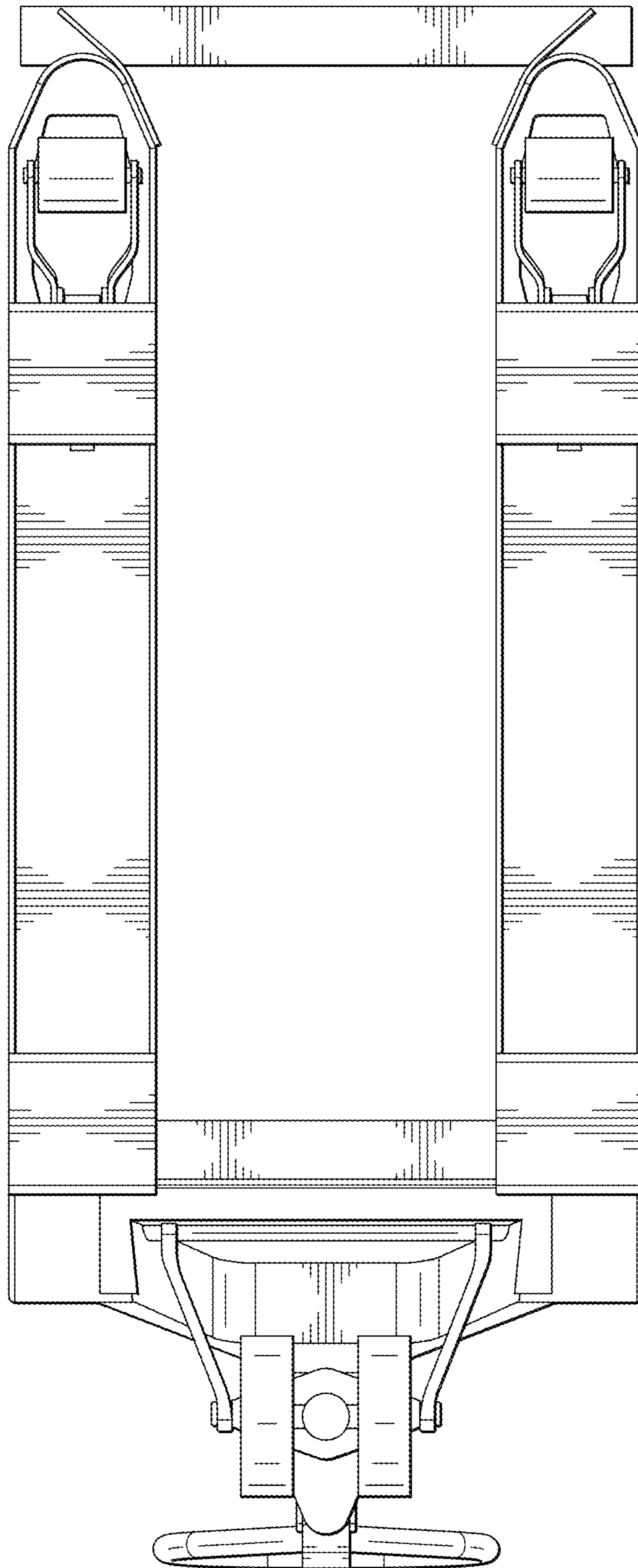


FIG. 7