



US00D809732S

(12) **United States Design Patent** (10) **Patent No.:** **US D809,732 S**
Lee (45) **Date of Patent:** **** Feb. 6, 2018**

(54) **FRAME FOR WHEELBARROW**
(71) Applicant: **GREEN PAL ENT. Co., LTD.**, Taipei (TW)
(72) Inventor: **Eddie Lee**, Taipei (TW)
(73) Assignee: **Green Pal Ent. Co., Ltd.**, Taipei (TW)
(**) Term: **15 Years**

2007/0267830 A1* 11/2007 Feick B62B 1/18
280/47.31
2007/0290467 A1* 12/2007 Gonzalez B62B 1/22
280/47.31
2008/0079228 A1* 4/2008 Rye B62B 1/20
280/47.31
2008/0164668 A1* 7/2008 Feick B62B 1/20
280/47.31
2008/0265537 A1* 10/2008 Lin B62B 1/24
280/47.31

(21) Appl. No.: **29/576,767**
(22) Filed: **Sep. 7, 2016**
(51) **LOC (11) Cl.** **12-02**
(52) **U.S. Cl.**
USPC **D34/27**
(58) **Field of Classification Search**
USPC 280/33.991, 33.992, 33.993, 33.997,
280/47.18, 47.31, 47.34; 298/2, 3, 5;
D34/12, 13, 14, 15, 16, 17, 18, 19, 20,
D34/21, 22, 23, 24, 25, 26, 27
CPC B62B 1/18; B62B 2205/10
See application file for complete search history.

OTHER PUBLICATIONS

McLendon, "EasyLifter Wheelbarrow", Dec. 4, 2017. <https://www.mclendons.com/33551-6-cu-ft-Eazy-Lift-Wheelbarrow.aspx>.
Shown on p. 1. (Year: 2017).*

* cited by examiner

Primary Examiner — Cynthia Ramirez
Assistant Examiner — Michael A Maharajh
(74) *Attorney, Agent, or Firm* — Alan D. Kamrath;
Kamrath IP Lawfirm, P.A.

(56) **References Cited**

U.S. PATENT DOCUMENTS

5,884,924 A * 3/1999 Fairchild B62B 1/18
280/47.31
D463,893 S * 10/2002 Hoffmann D34/16
D501,972 S * 2/2005 Hillbohm D34/16
D501,974 S * 2/2005 Lawson D34/27
6,886,838 B1 * 5/2005 Zimmerman B62B 1/22
280/47.31
D646,040 S * 9/2011 Halsted D34/27
D649,317 S * 11/2011 Nolin D34/12
8,997,903 B2 * 4/2015 Vandelinde B62B 5/0066
180/11
2005/0127626 A1* 6/2005 Haemmerlin B62B 1/20
280/47.31
2005/0212237 A1* 9/2005 Lin B62B 1/002
280/47.31
2007/0257456 A1* 11/2007 Feick B62B 1/208
280/47.31

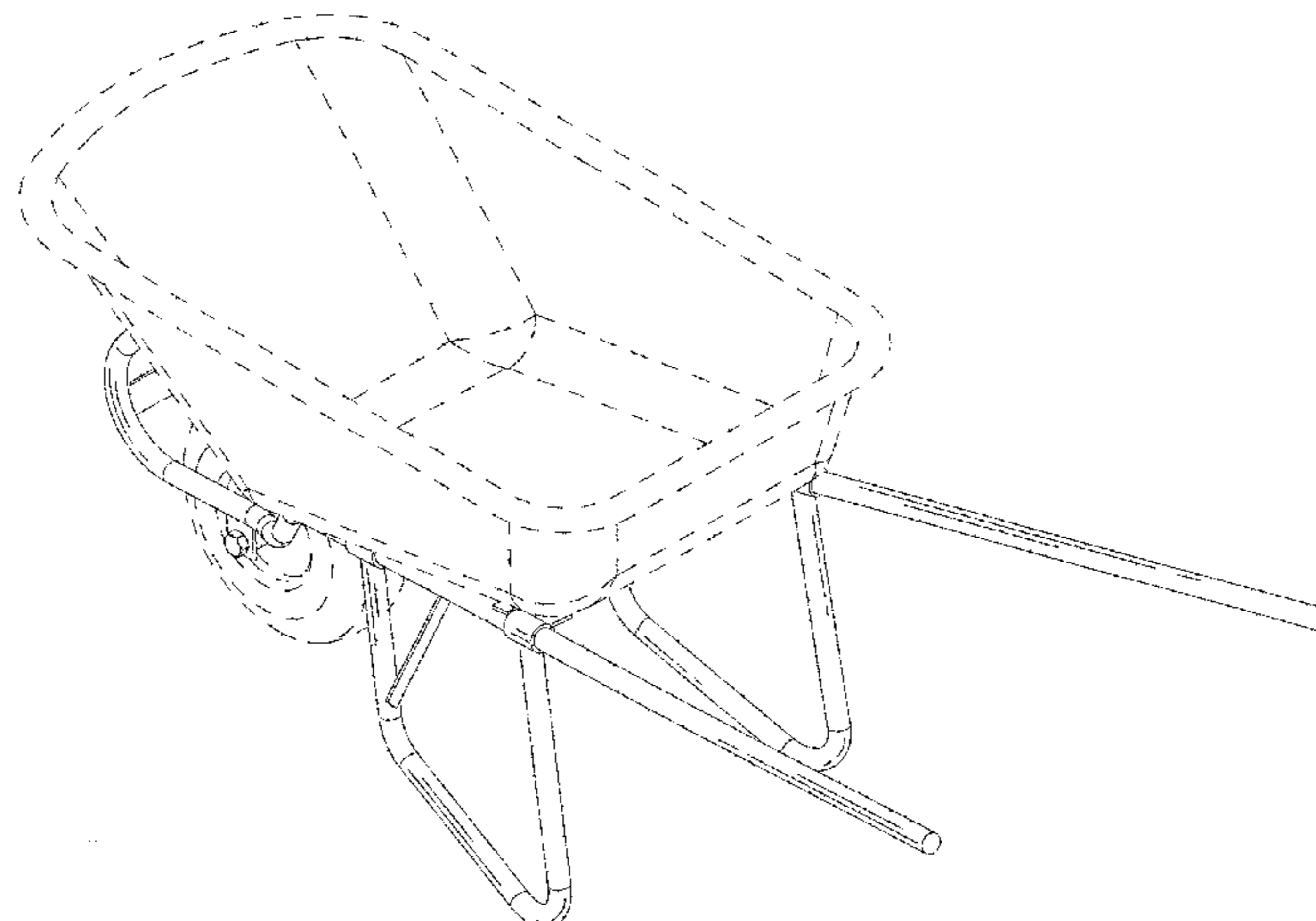
(57) **CLAIM**

The ornamental design for a frame for wheelbarrow, as shown and described.

DESCRIPTION

FIG. 1 is a perspective view of a frame for wheelbarrow showing my new design;
FIG. 2 is a front view thereof;
FIG. 3 is a rear view thereof;
FIG. 4 is a left view thereof;
FIG. 5 is a right view thereof;
FIG. 6 is a top view thereof; and,
FIG. 7 is a bottom view thereof.
The broken lines depict portions of the frame for wheelbarrow in which the design is embodied that are not considered part of the claimed design.

1 Claim, 7 Drawing Sheets



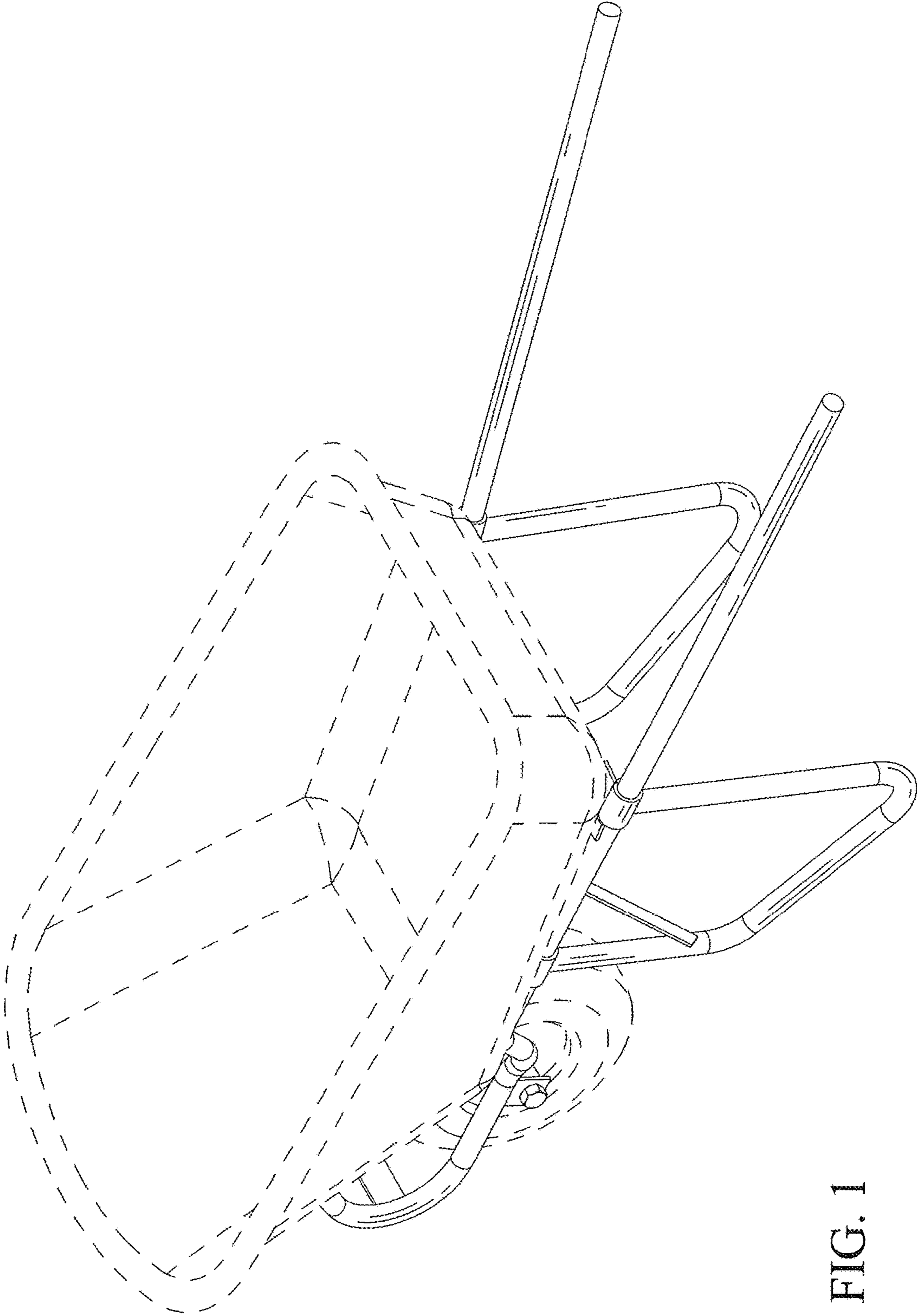


FIG. 1

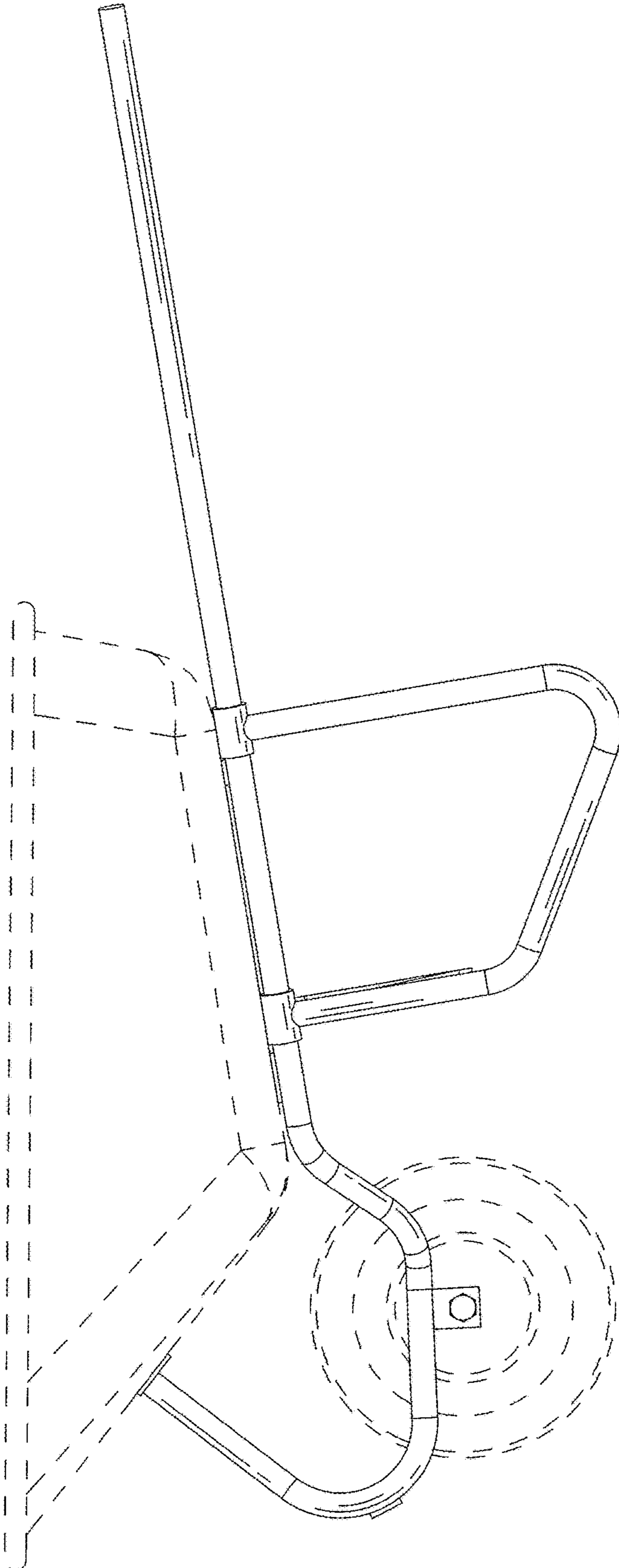


FIG. 2

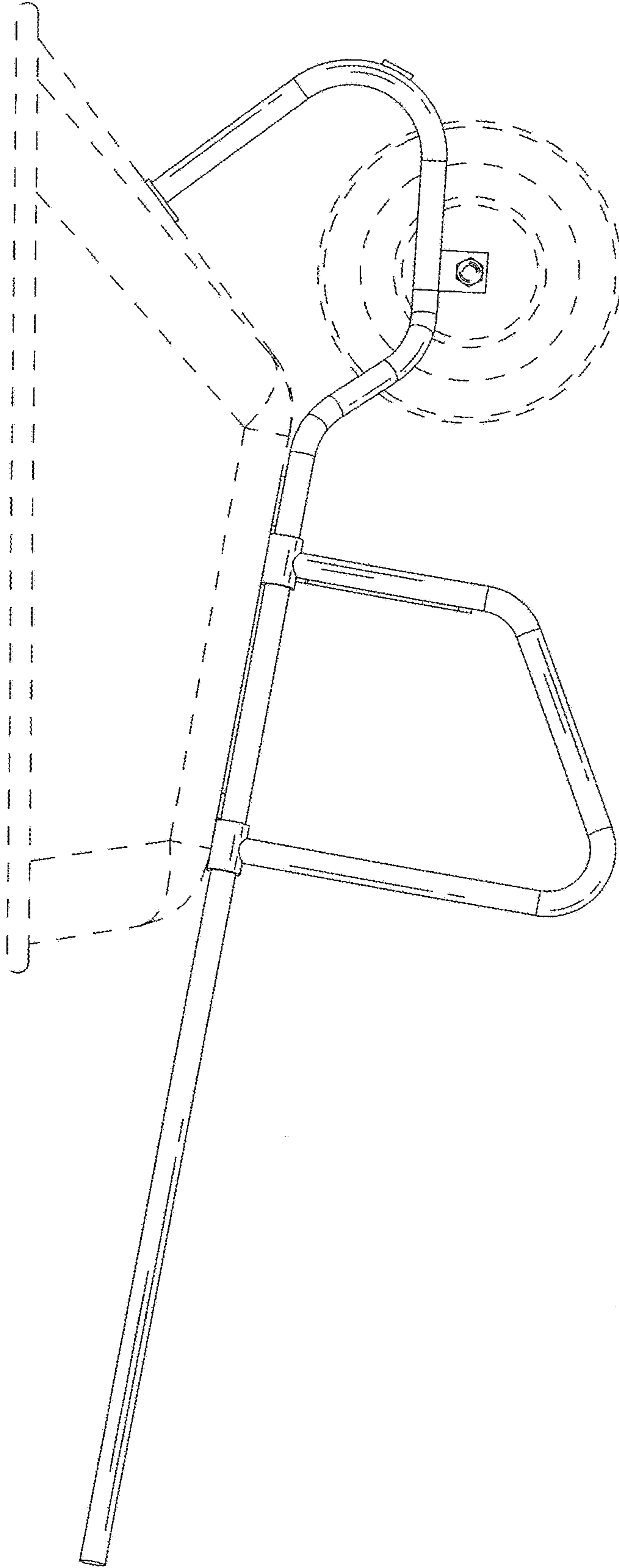


FIG. 3

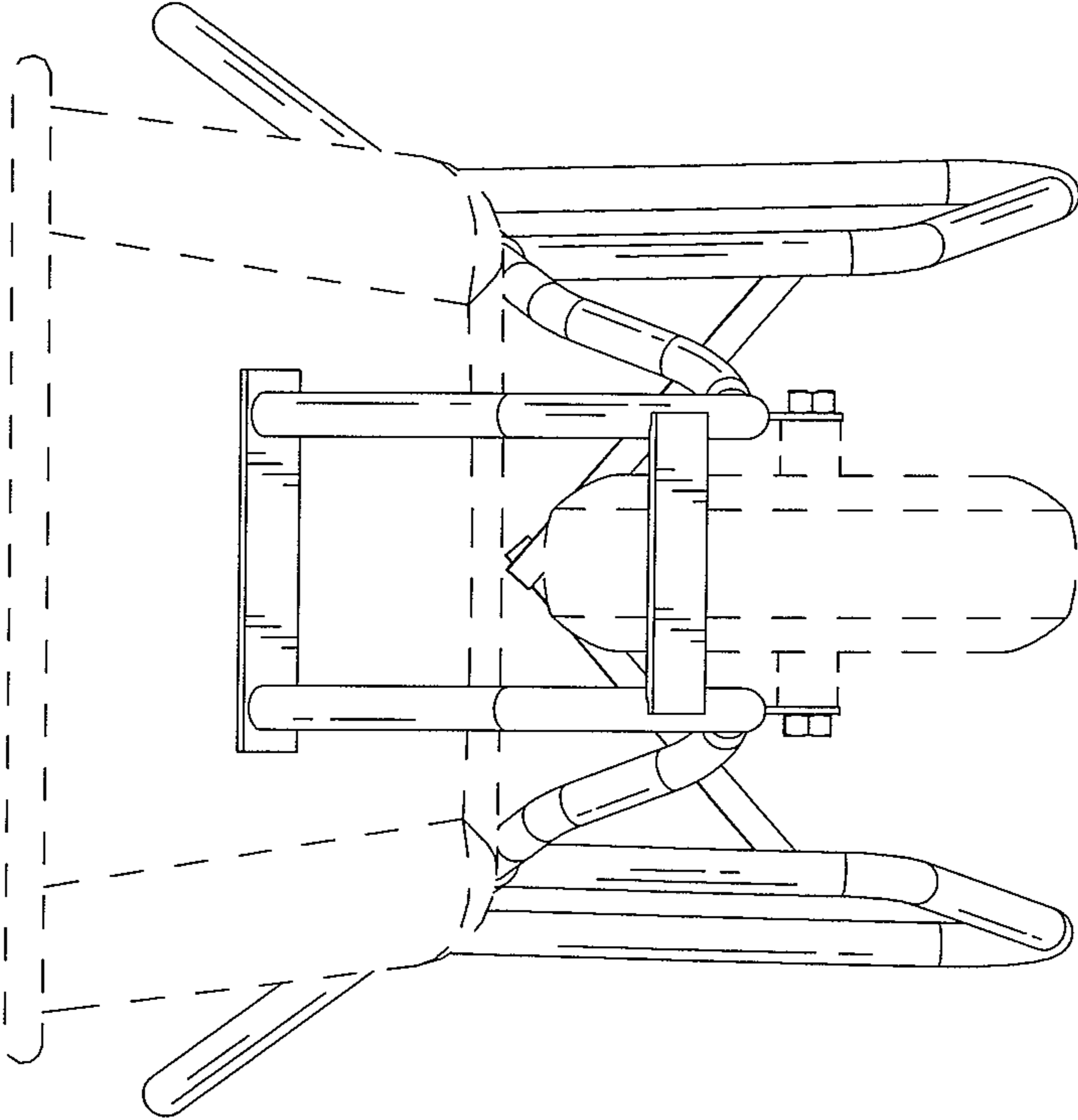


FIG. 4

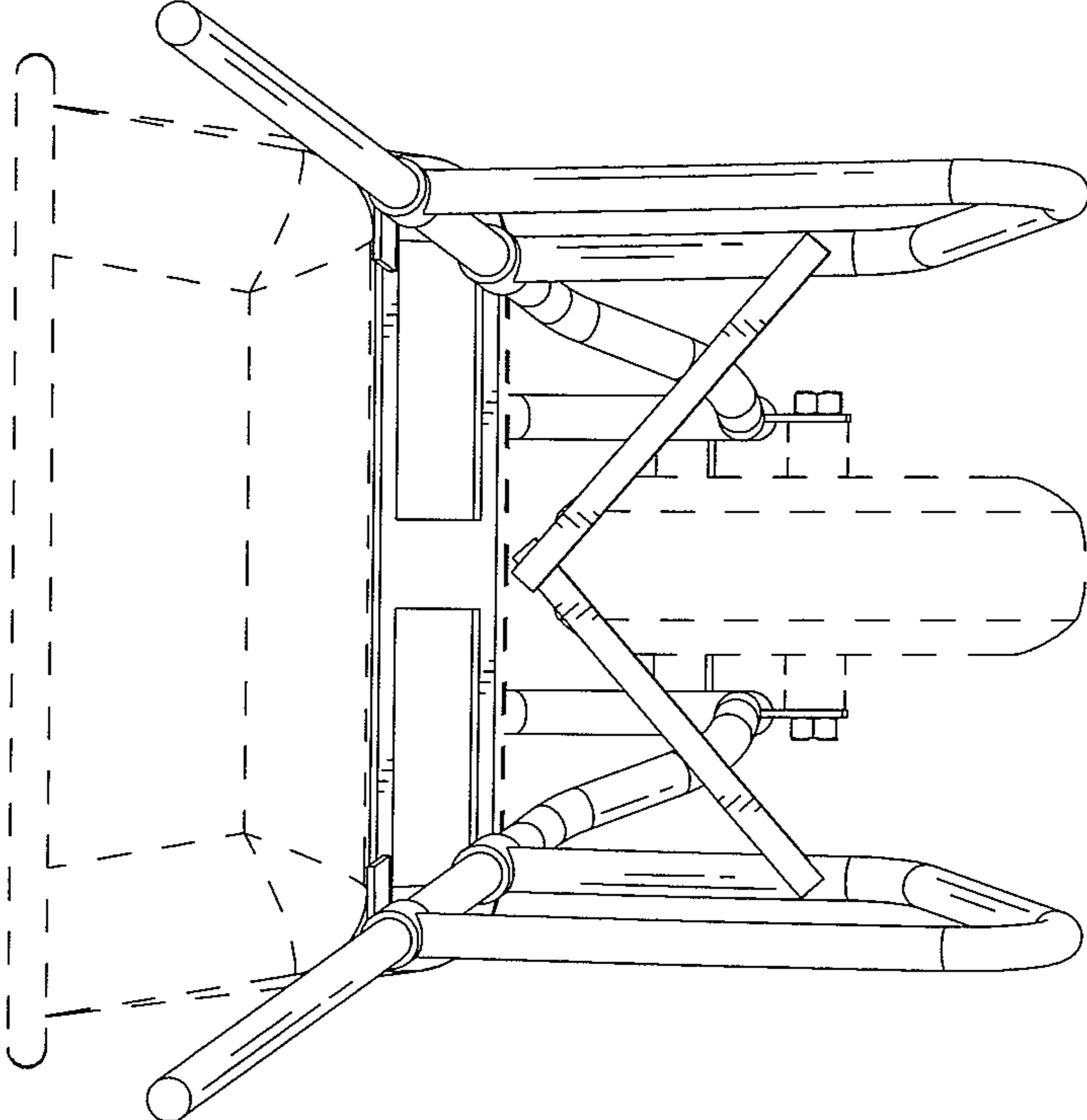


FIG. 5

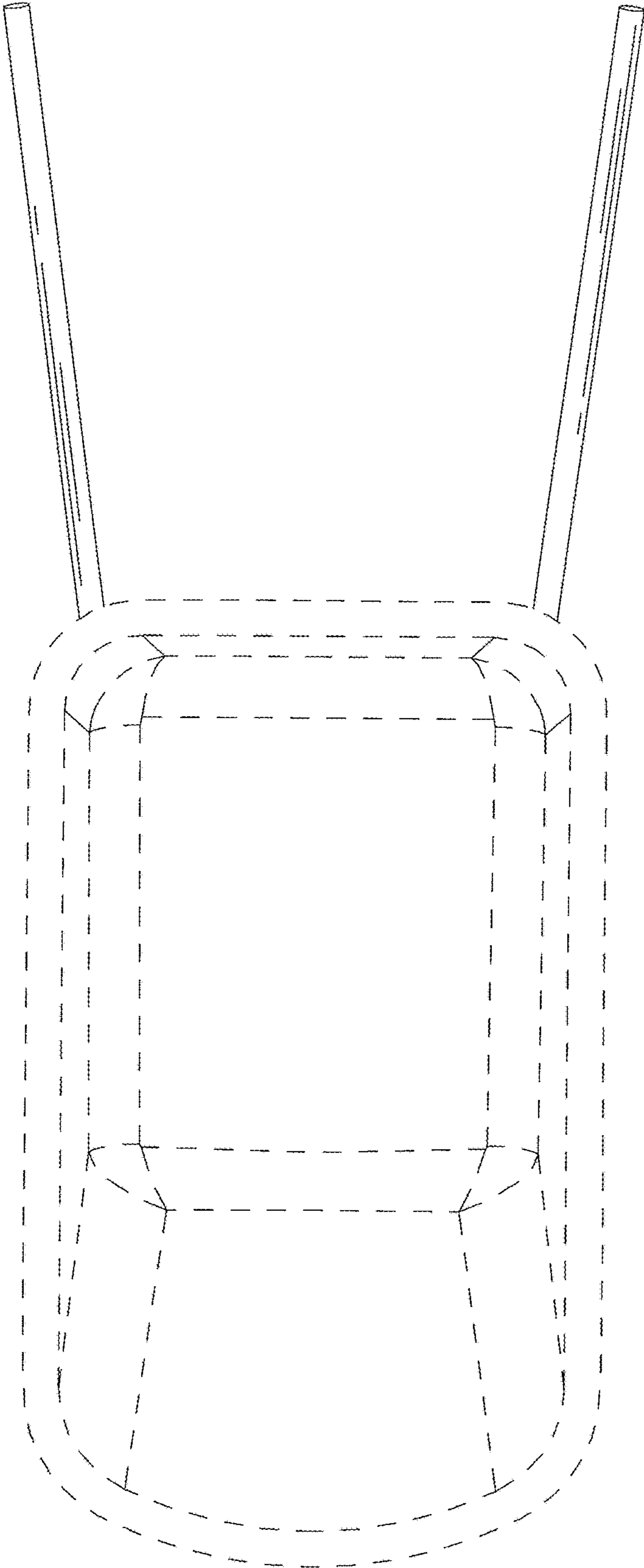


FIG. 6

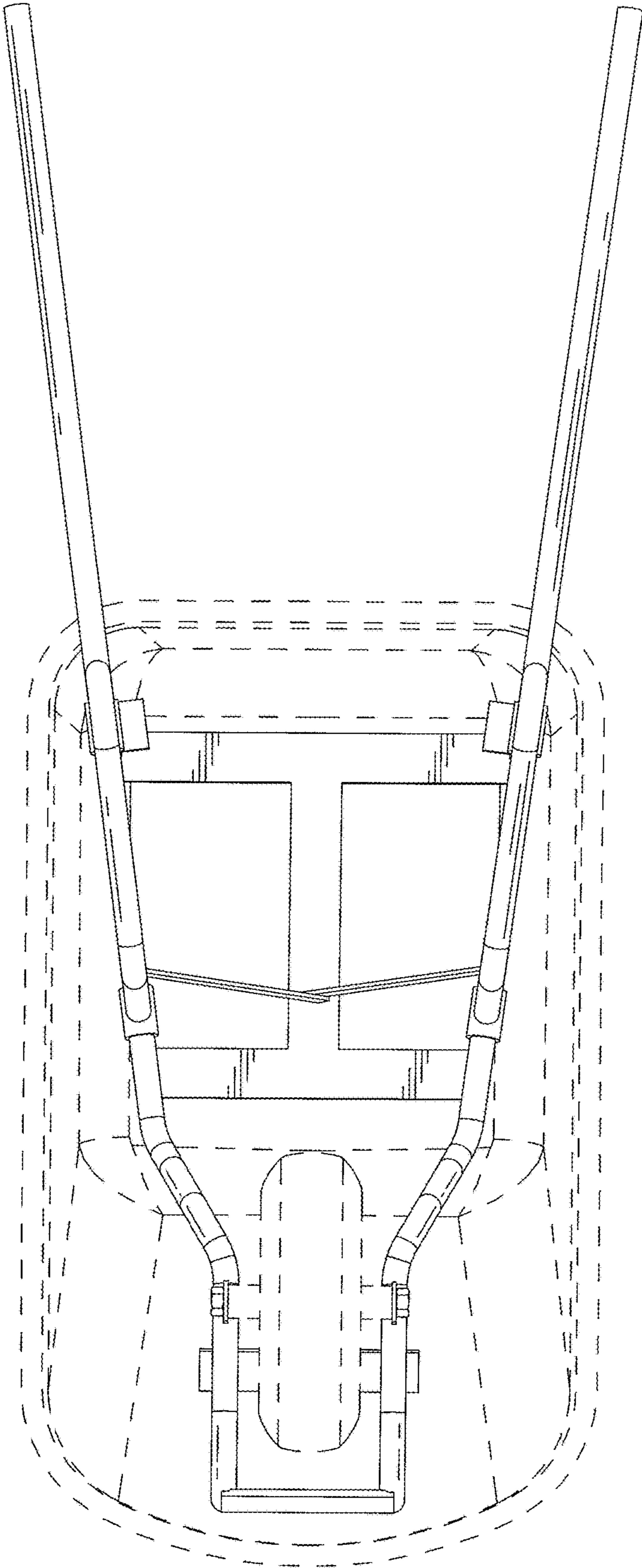


FIG. 7