

US00D809731S

(12) **United States Design Patent** (10) **Patent No.:** **US D809,731 S**  
**Salomon et al.** (45) **Date of Patent:** **\*\* Feb. 6, 2018**

(54) **SHOPPING TROLLEY**  
(71) Applicants: **Leah Lia Salomon**, Tel Aviv (IL);  
**Dekel Salomon**, Tel Aviv (IL)  
(72) Inventors: **Leah Lia Salomon**, Tel Aviv (IL);  
**Dekel Salomon**, Tel Aviv (IL)

(\*\*) Term: **15 Years**  
(21) Appl. No.: **29/566,503**

(22) Filed: **May 31, 2016**

(30) **Foreign Application Priority Data**

Dec. 2, 2015 (IL) ..... 57777

(51) **LOC (11) Cl.** ..... **12-05**

(52) **U.S. Cl.**  
USPC ..... **D34/25**

(58) **Field of Classification Search**  
USPC ..... D34/12-27; 280/651, 33.998, 47.38,  
280/47.19, 47.24, 47.26, 79.3, 33.991,  
280/33.995, 47.371, 655; D32/27  
CPC .... B62B 3/14; B62B 3/1496; B62B 2501/065  
See application file for complete search history.

(56) **References Cited**

**U.S. PATENT DOCUMENTS**

3,876,223 A \* 4/1975 O'Reilly ..... B62B 1/26  
280/47.19  
4,607,857 A \* 8/1986 LeSage ..... A47J 37/1271  
220/263  
D352,147 S \* 11/1994 Dymant ..... D34/12  
D669,652 S \* 10/2012 Hauser-Gracher ..... D34/25  
D773,770 S \* 12/2016 Olmos ..... D34/17  
2002/0195782 A1 \* 12/2002 Cates ..... B62B 1/10  
280/47.26

2004/0145158 A1\* 7/2004 Giampavolo ..... B62B 1/12  
280/651  
2004/0201188 A1\* 10/2004 Sadow ..... B60B 37/10  
280/47.26  
2006/0226618 A1\* 10/2006 Marklevitz ..... A47B 47/0075  
280/47.26

\* cited by examiner

*Primary Examiner* — Cynthia Ramirez  
(74) *Attorney, Agent, or Firm* — William Dippert;  
Laurence Greenberg; Werner Stemer

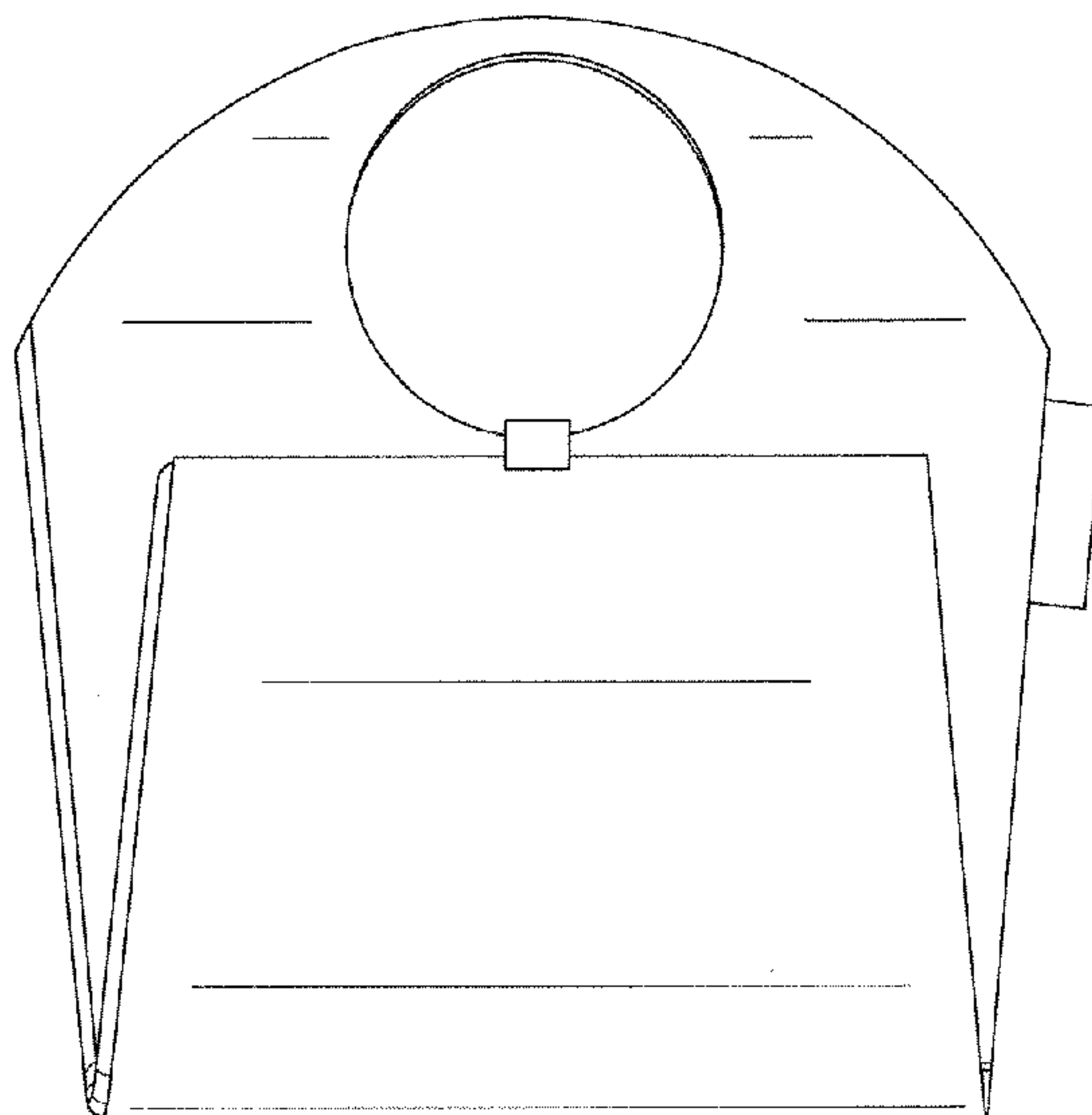
(57) **CLAIM**

The ornamental design for a shopping trolley, as shown and described.

**DESCRIPTION**

FIG. 1 is a front elevational view of a shopping trolley showing our new design in a folded state.  
FIG. 2 is a rear elevational view thereof.  
FIG. 3 is a right side elevational view thereof.  
FIG. 4 is a left side elevational view thereof.  
FIG. 5 is a top elevational view thereof.  
FIG. 6 is a bottom elevational view thereof.  
FIG. 7 is an isometric view thereof.  
FIG. 8 is a front elevational view showing the shopping trolley in a deployed state.  
FIG. 9 is a rear elevational view thereof.  
FIG. 10 is a right side elevational view thereof.  
FIG. 11 is a left side elevational view thereof.  
FIG. 12 is a top elevational view thereof.  
FIG. 13 is a bottom elevational view thereof; and,  
FIG. 14 is an isometric view thereof.  
The dotted lines in FIG. 13 are intended to indicate portions of the shopping trolley not forming part of the claimed design.

**1 Claim, 9 Drawing Sheets**



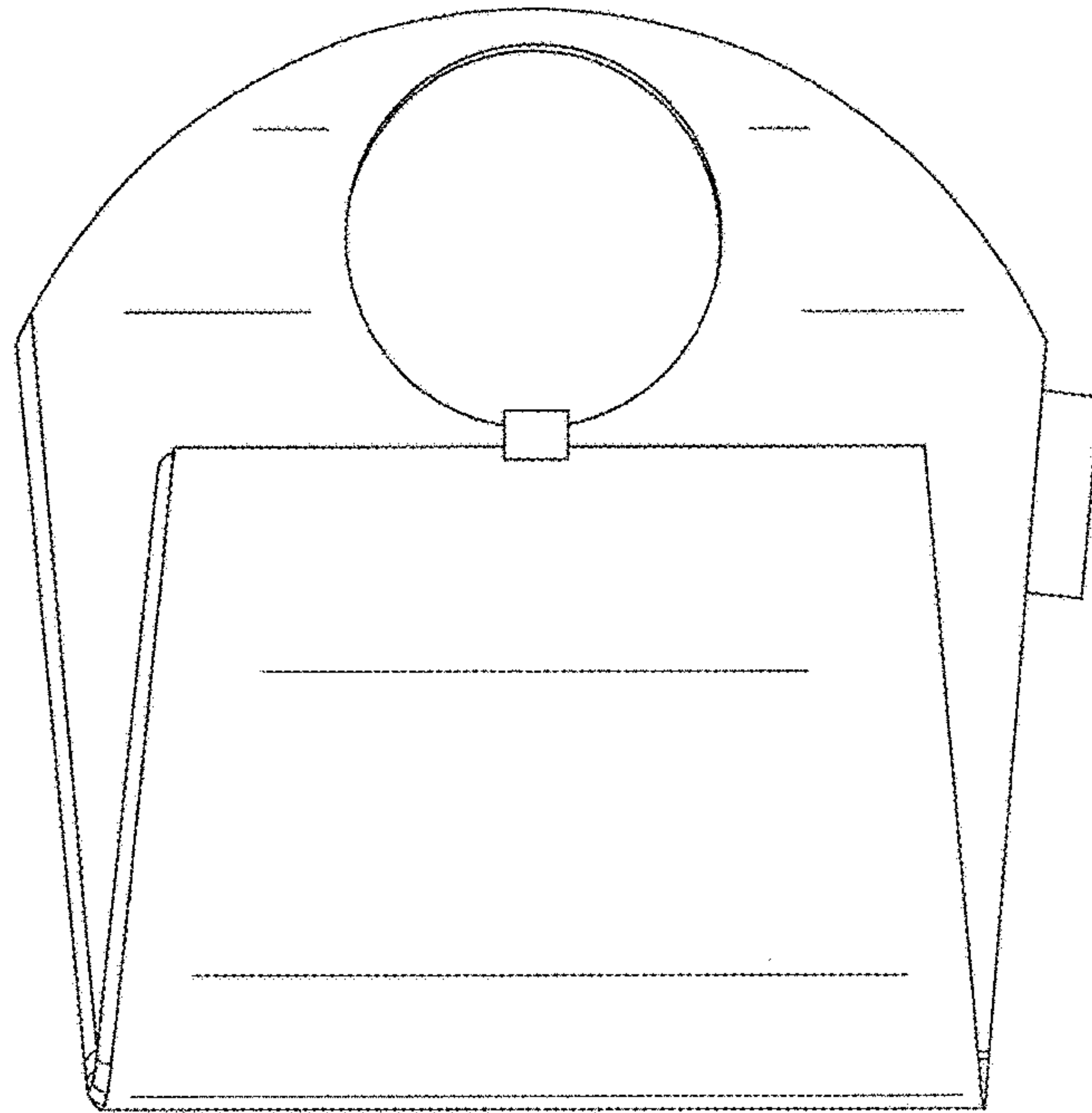


Fig. 1

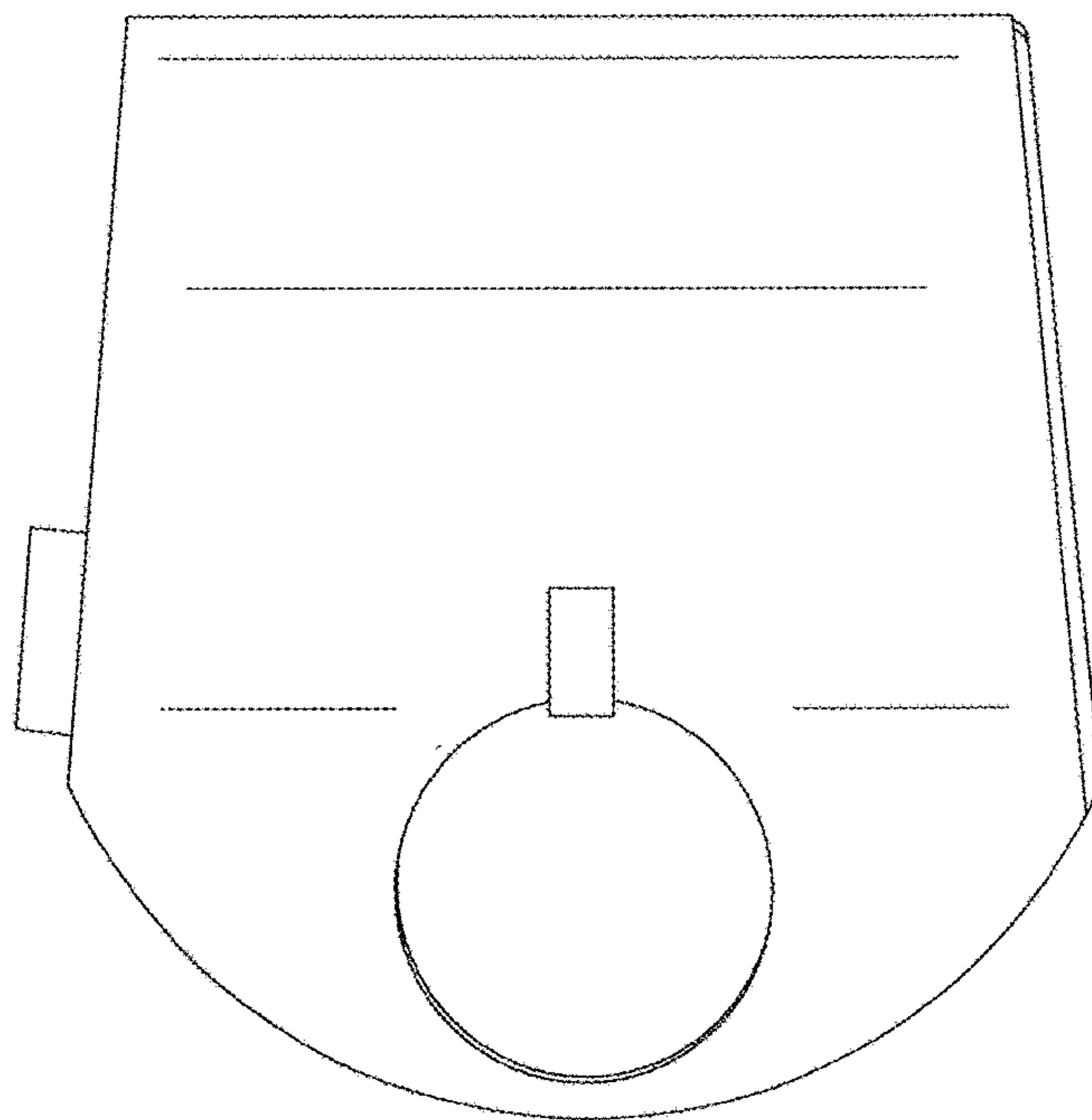


Fig. 2

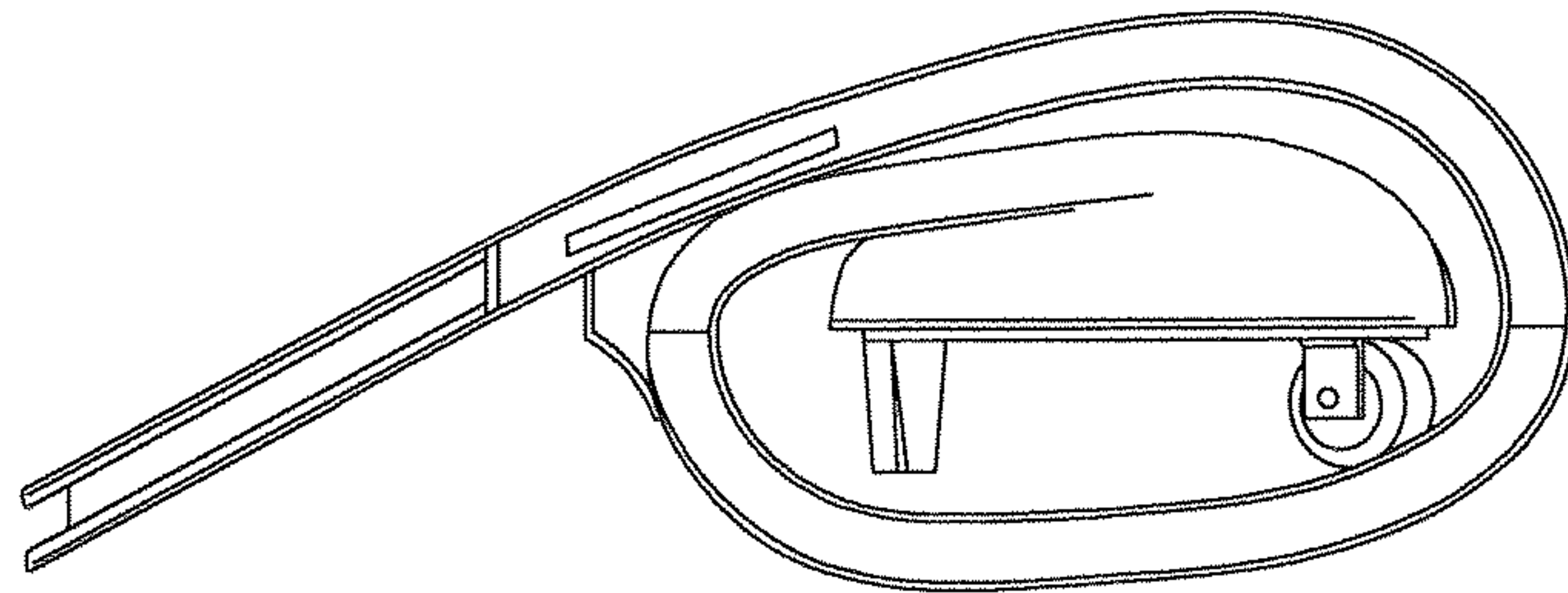


Fig. 3

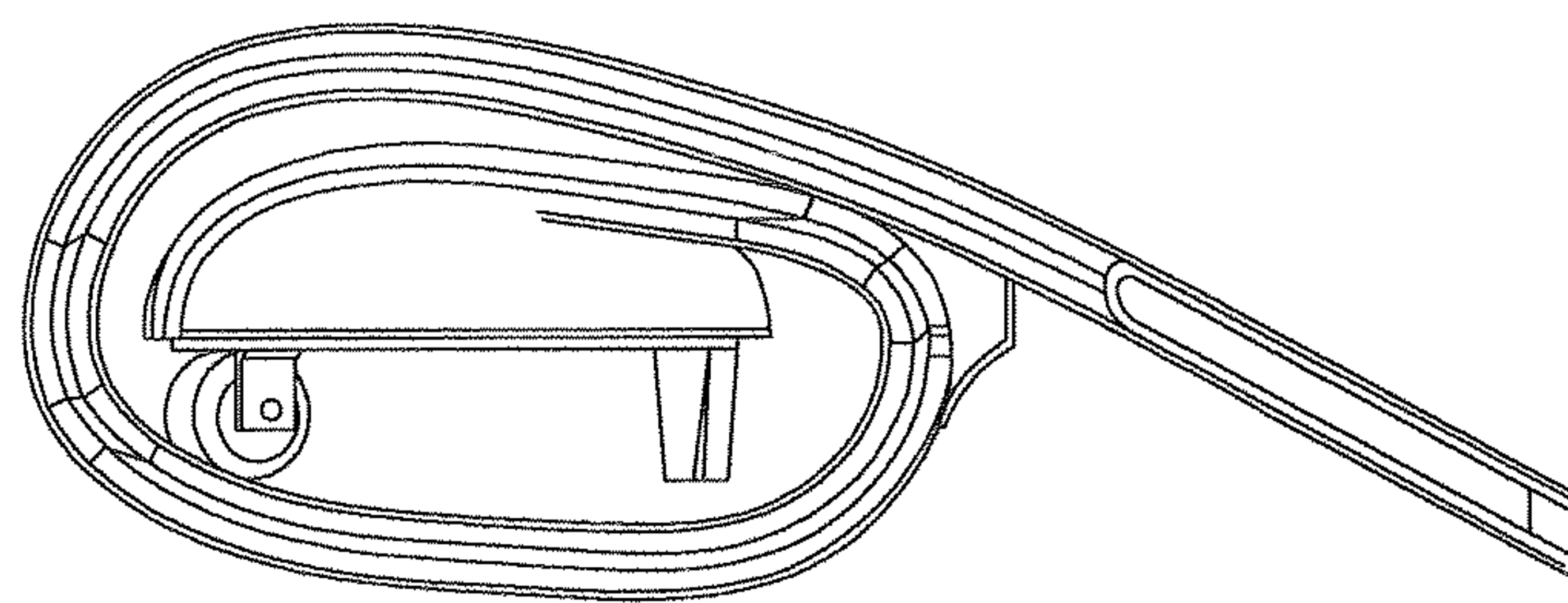


Fig. 4

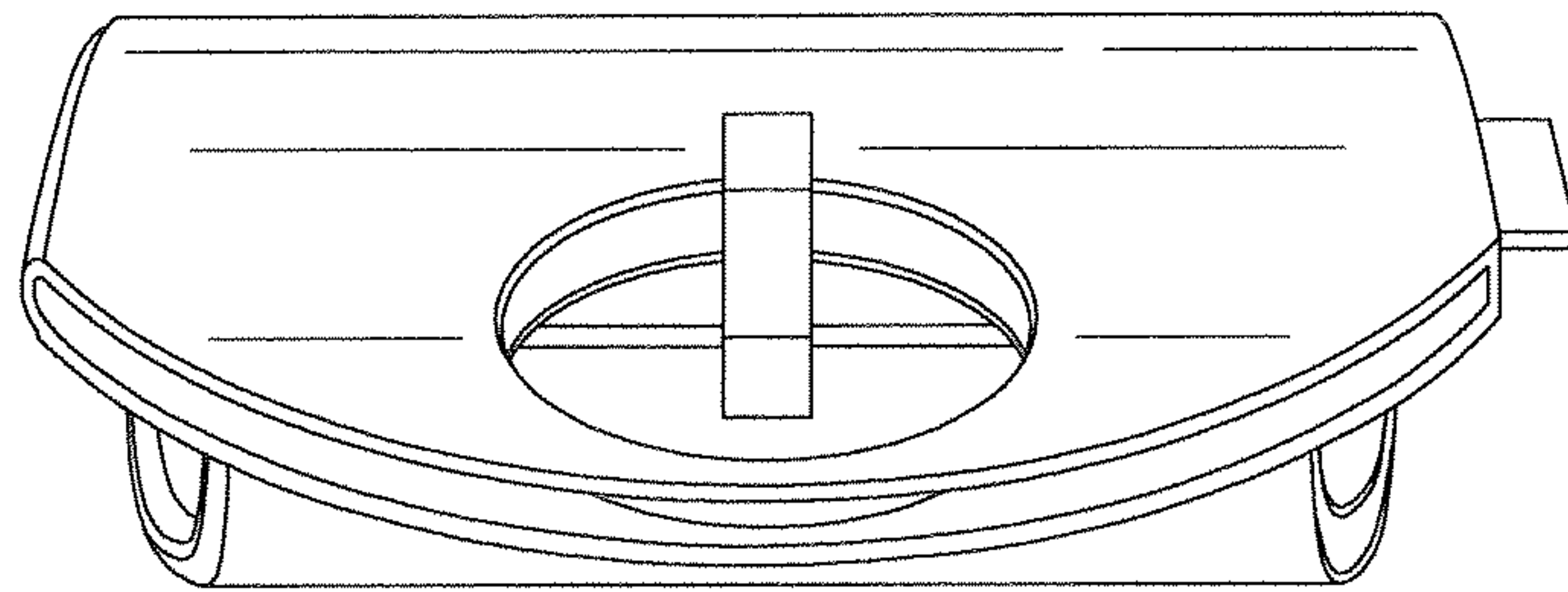


Fig. 5

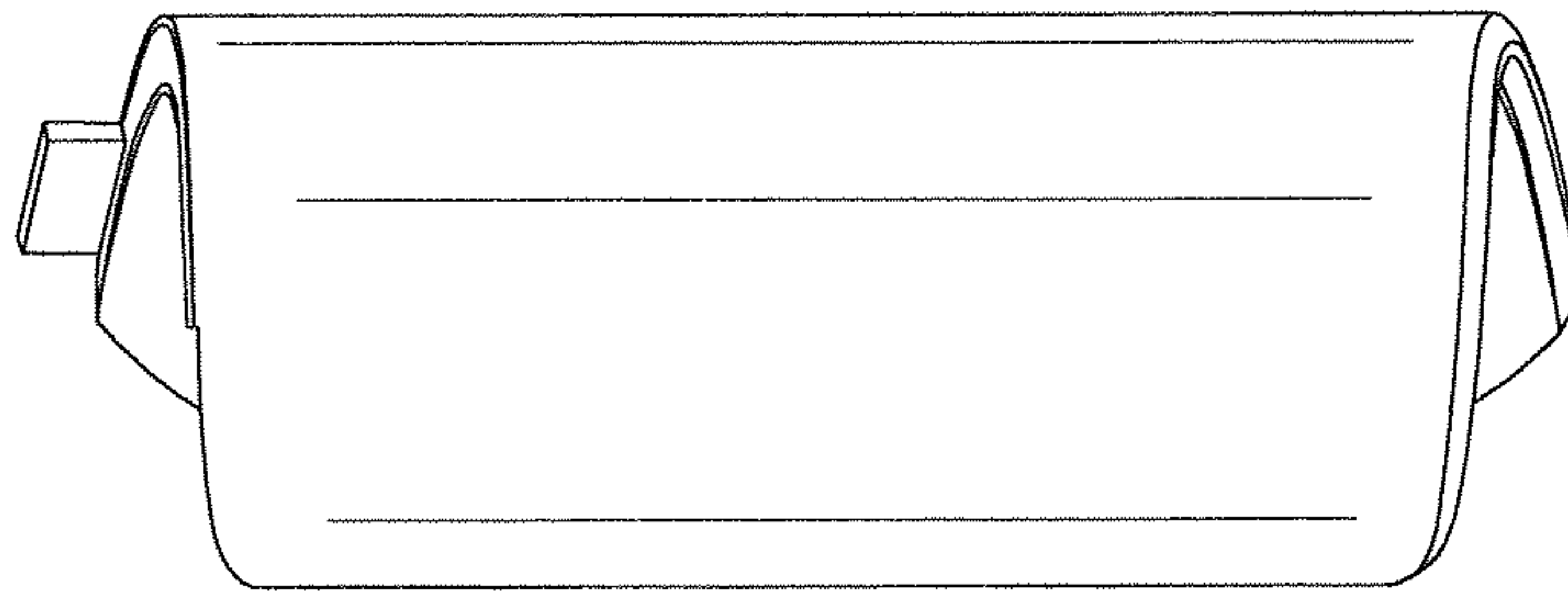


Fig. 6

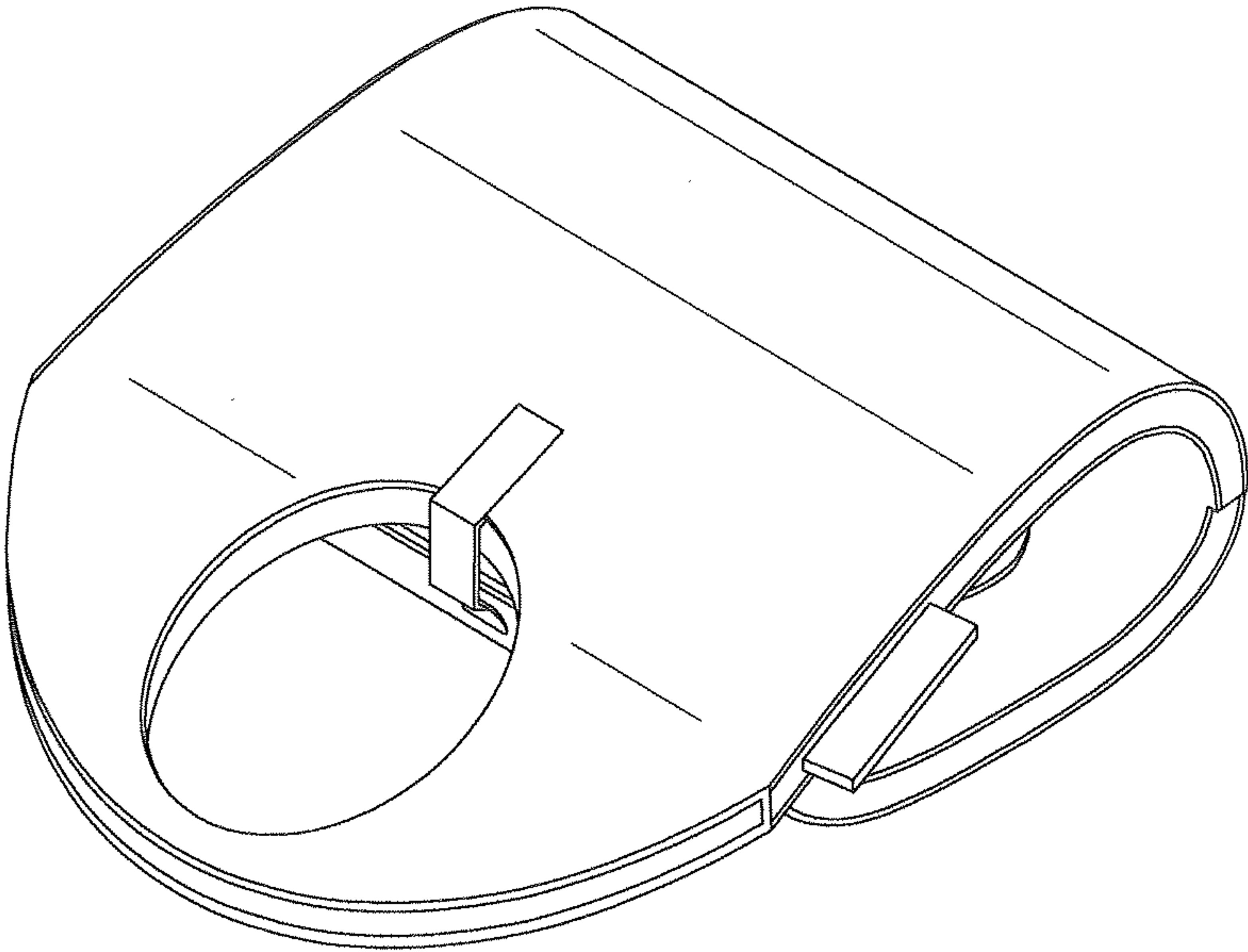


Fig. 7

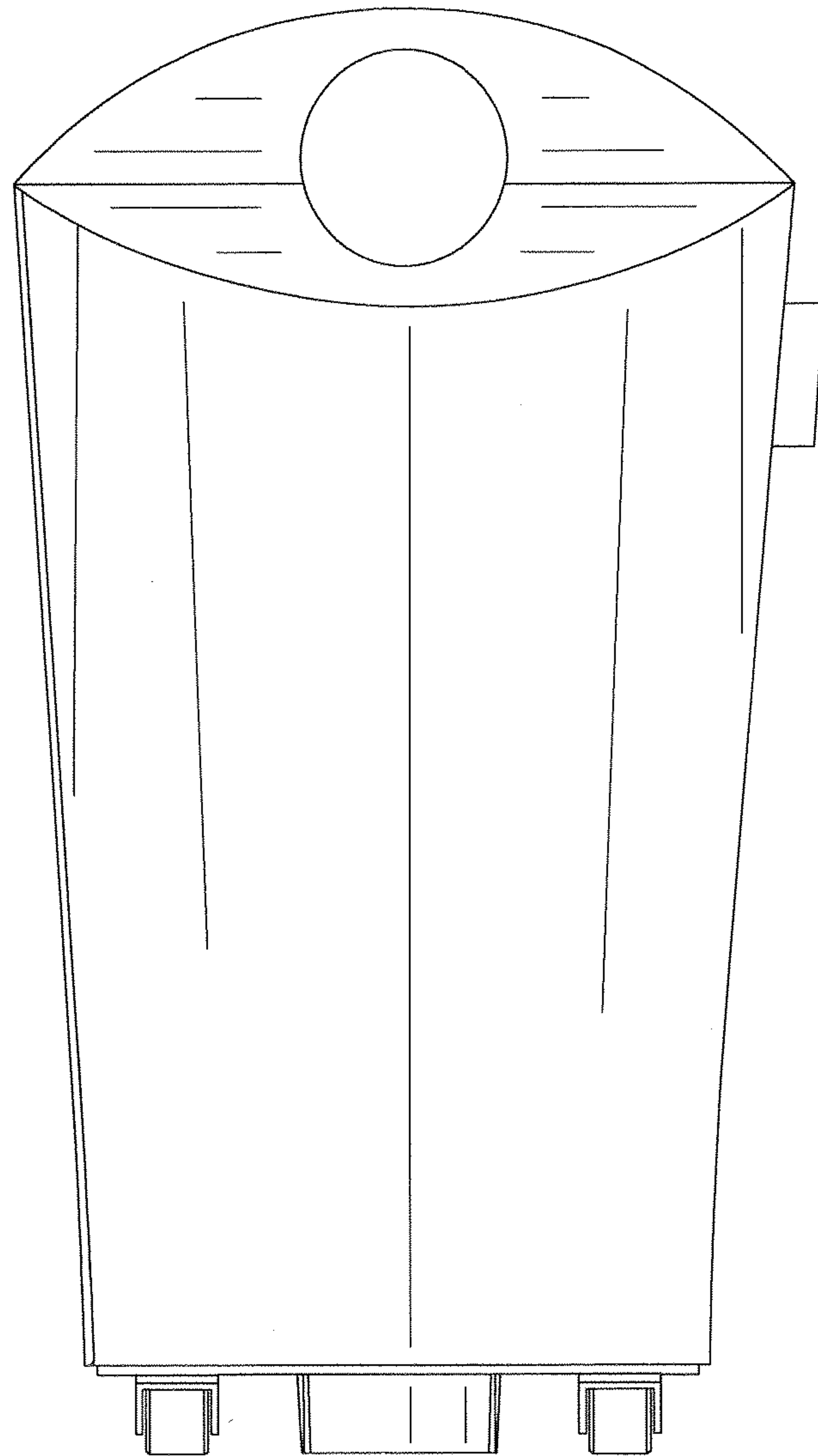


Fig. 8



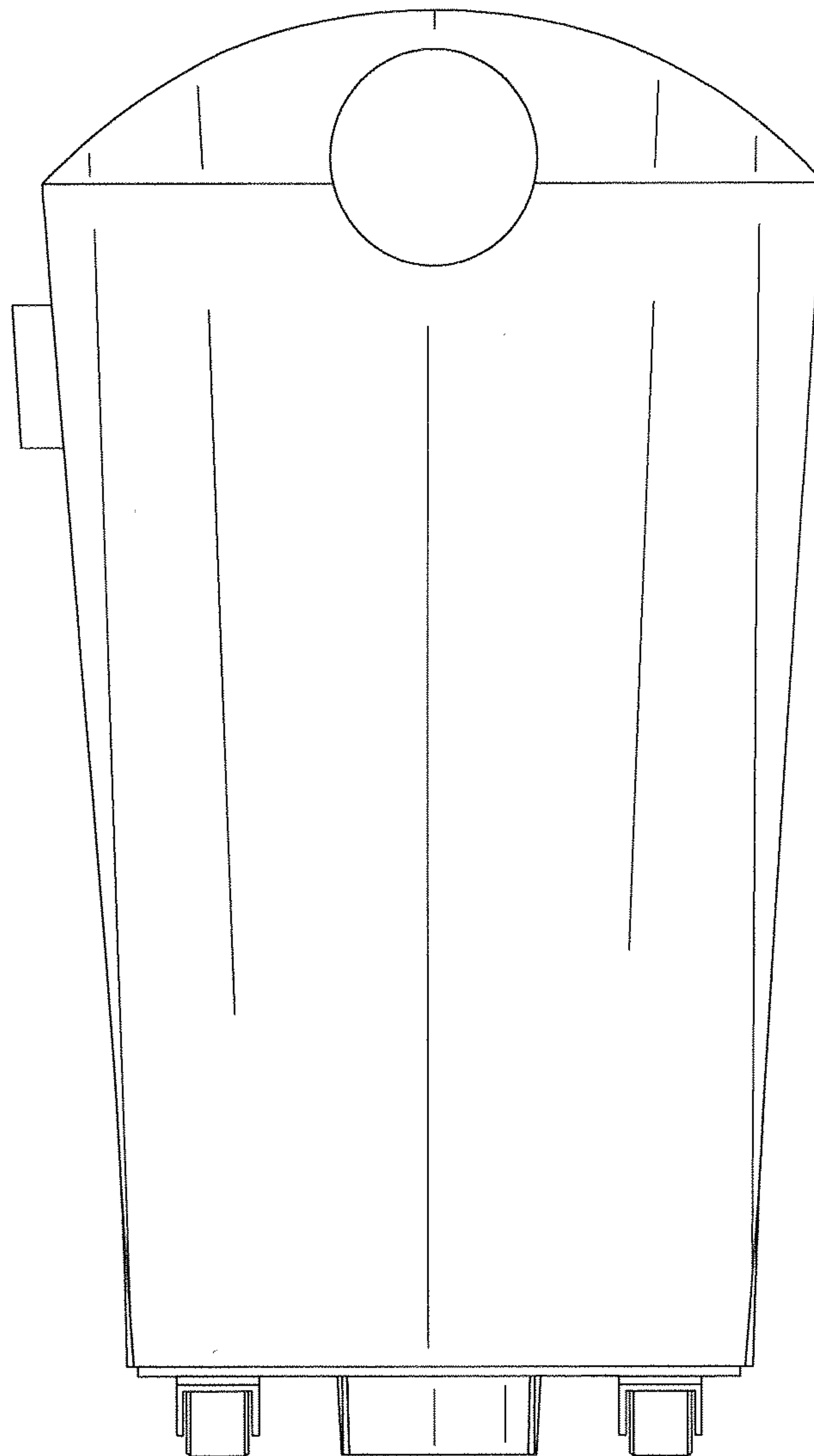


Fig. 9

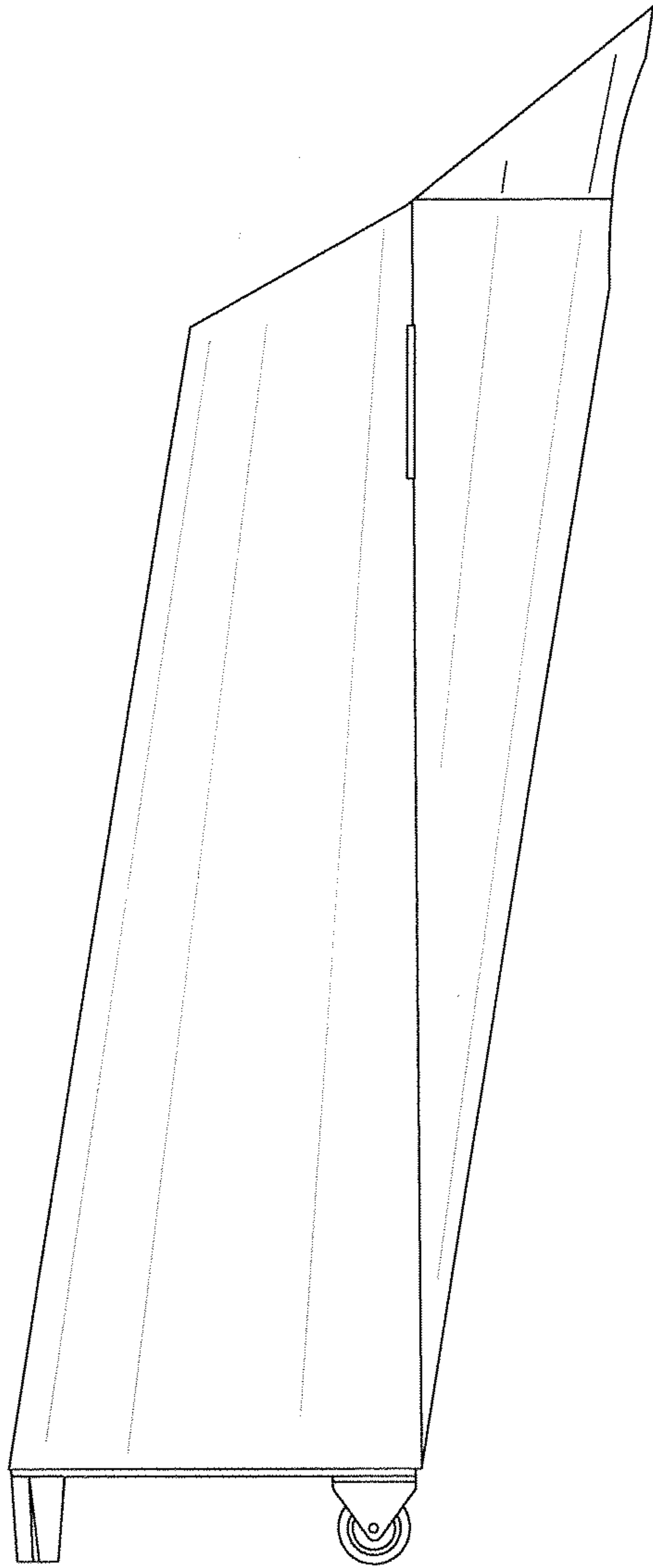


Fig. 10

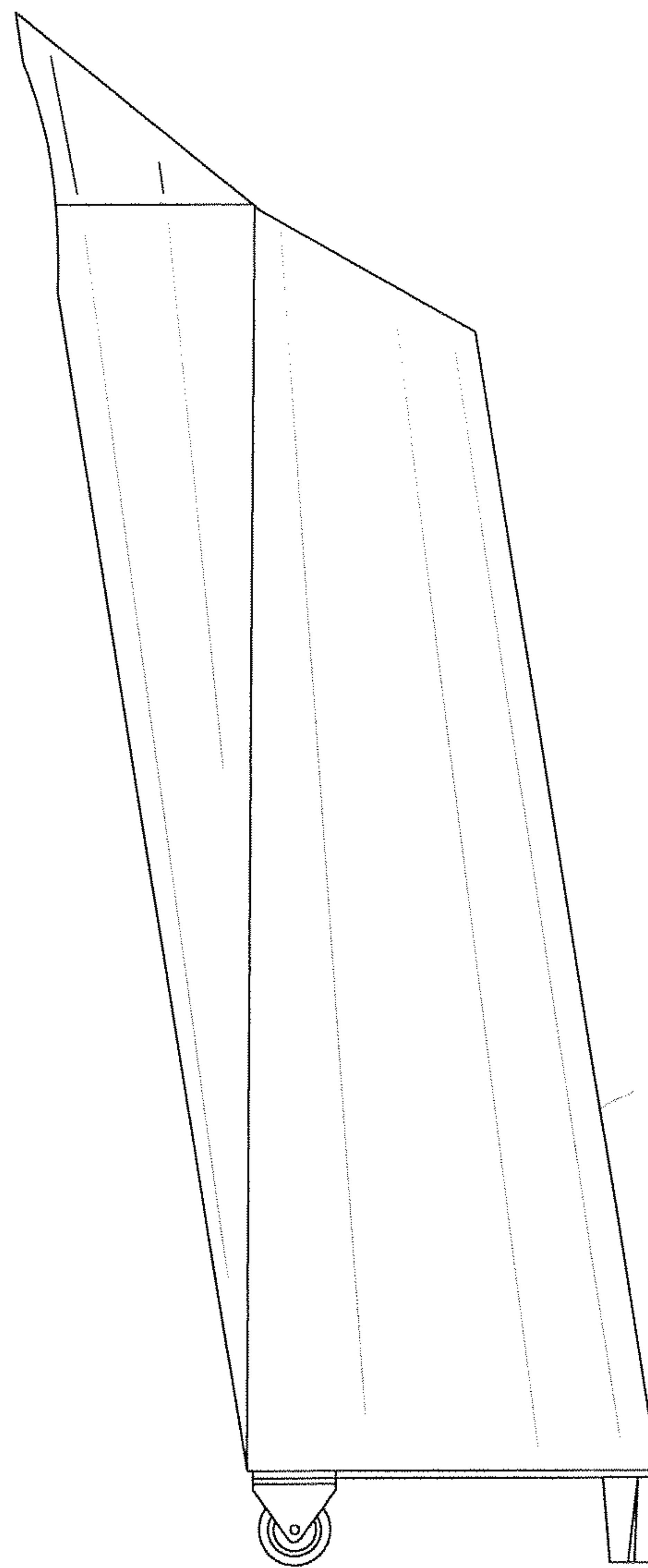


Fig. 11



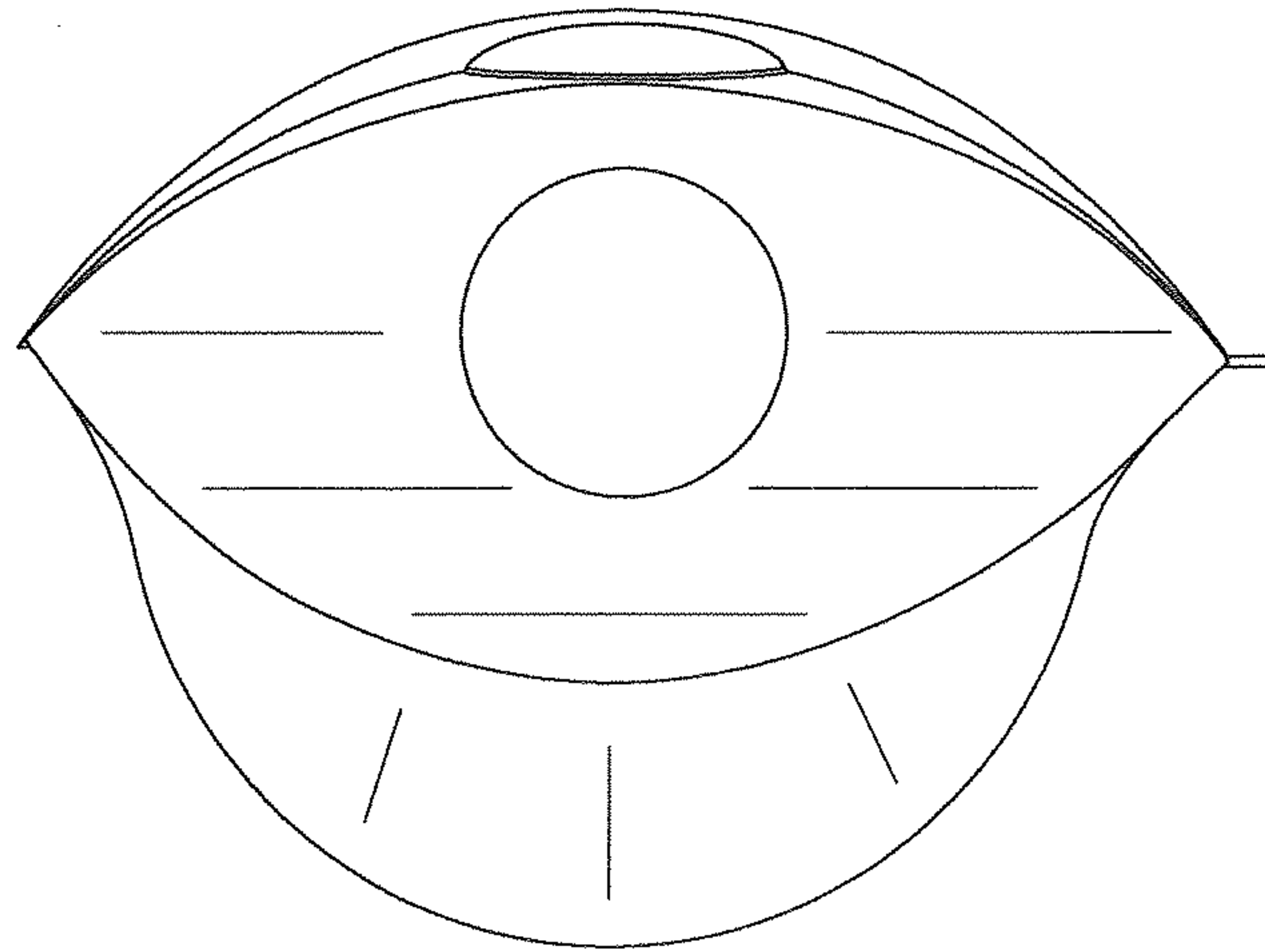


Fig. 12

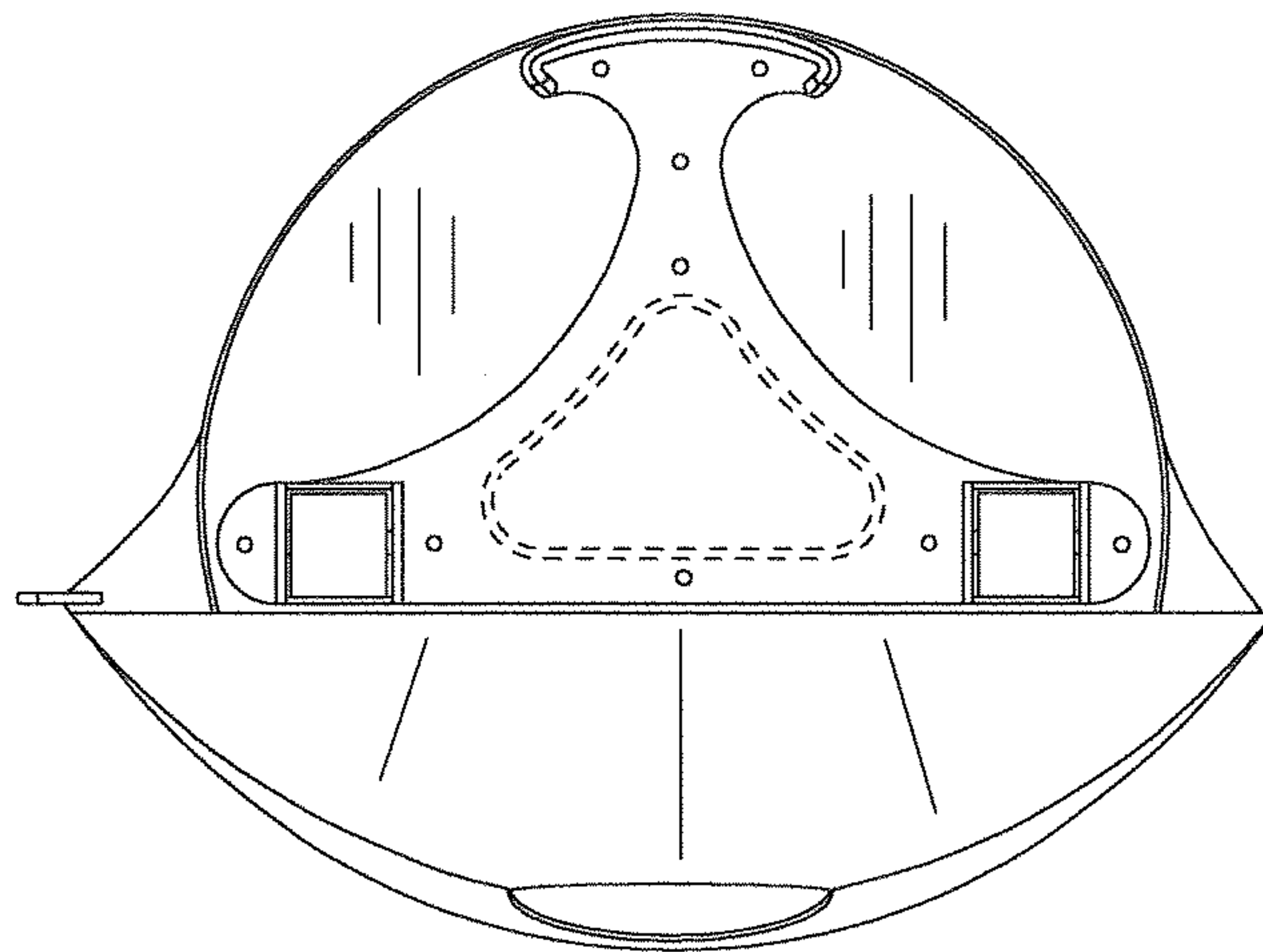


Fig. 13

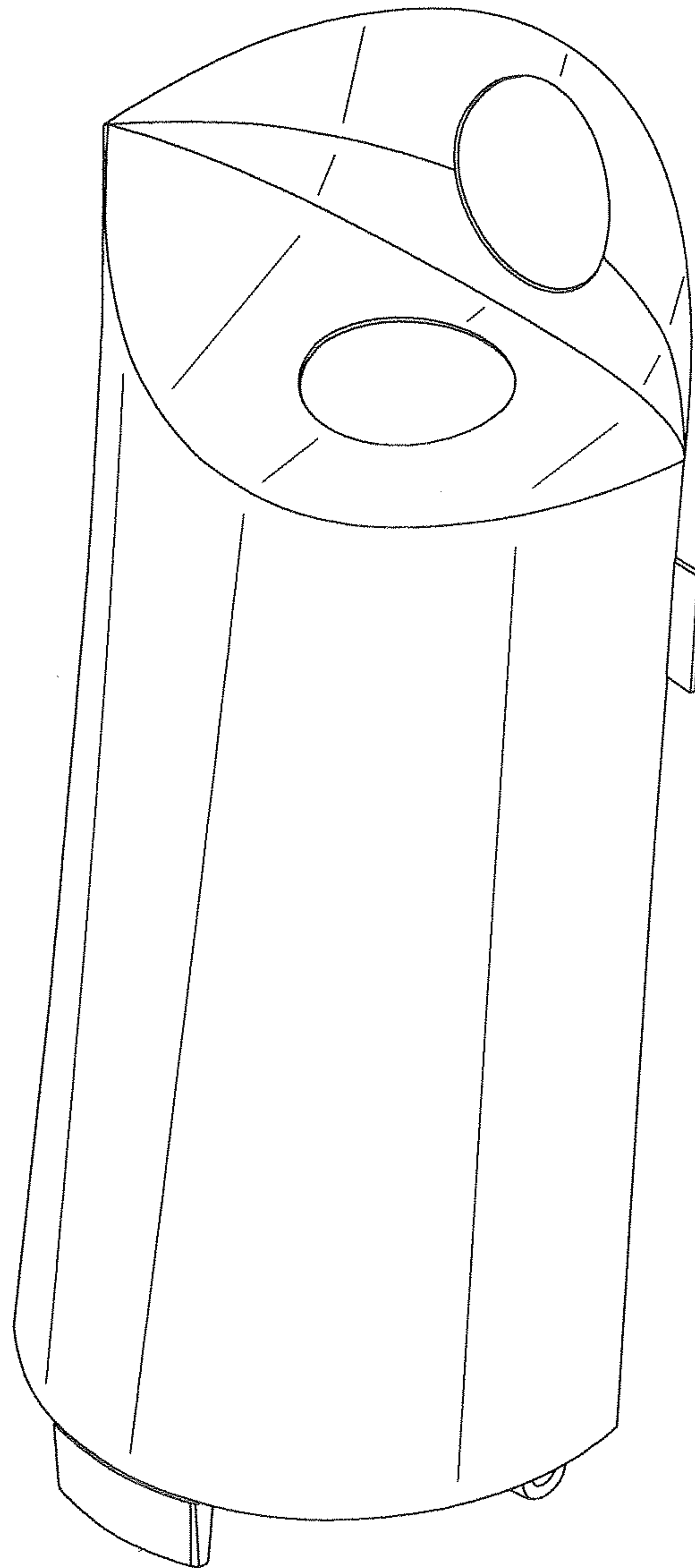


Fig. 14