



US00D809730S

(12) **United States Design Patent** (10) **Patent No.:** **US D809,730 S**
Churchvara et al. (45) **Date of Patent:** **** Feb. 6, 2018**

(54) **CART**
(71) Applicant: **Veltek Associates, Inc.**, Malvern, PA (US)
(72) Inventors: **Jeffrey Churchvara**, Downingtown, PA (US); **Arthur L. Vellutato, Jr.**, Malvern, PA (US); **Yefim Gudesblat**, Exton, PA (US); **Vladislav Gydesblat**, Exton, PA (US)
(73) Assignee: **Veltek Associates, Inc.**, Malvern, PA (US)

3,698,733 A 10/1972 Isaacs
3,759,538 A 9/1973 Fabiano
3,869,052 A 3/1975 Leahy
3,934,895 A 1/1976 Fox
4,109,926 A 8/1978 Lane
4,222,580 A 9/1980 Krokonko
4,354,791 A 10/1982 Antonellis
4,670,227 A 6/1987 Smith
5,072,960 A 12/1991 Sperko
D344,382 S * 2/1994 Conaway D34/17
D381,168 S * 7/1997 Delmerico D34/19
D391,032 S * 2/1998 Delmerico D34/20
5,735,367 A 4/1998 Brubaker
5,758,888 A 6/1998 Burgan et al.
(Continued)

(**) Term: **15 Years**

FOREIGN PATENT DOCUMENTS

(21) Appl. No.: **29/569,050**

JP 2005125858 A 5/2005

(22) Filed: **Jun. 23, 2016**

OTHER PUBLICATIONS

Related U.S. Application Data

International Search Report & Written Opinion issued in PCT/US2015/067110 dated May 20, 2016, 12 pages.

(63) Continuation-in-part of application No. 14/979,330, filed on Dec. 22, 2015.

Primary Examiner — Cynthia Ramirez

(51) **LOC (11) Cl.** **12-02**

(74) *Attorney, Agent, or Firm* — Blank Rome LLP

(52) **U.S. Cl.**
USPC **D34/21**

(57) **CLAIM**

(58) **Field of Classification Search**
USPC D34/12-27; 280/641, 47.35, 79.3
CPC B62B 3/02; B62B 1/12; B62B 2202/67
See application file for complete search history.

The ornamental design for a cart, as shown and described.

DESCRIPTION

(56) **References Cited**

FIG. 1 is a front perspective view of a cart showing our new design;

U.S. PATENT DOCUMENTS

FIG. 2 is a rear perspective view thereof;

274,258 A 3/1883 Bedell
2,507,732 A 5/1950 Morgan
2,790,196 A 4/1957 Rideout et al.
2,886,186 A * 5/1959 Hamilton A47B 31/00
108/189
3,023,021 A 2/1962 Fricke et al.
3,125,353 A 3/1964 Gohmann
3,137,250 A 6/1964 Hutchinson

FIG. 3 is a front view thereof;

FIG. 4 is a rear view thereof;

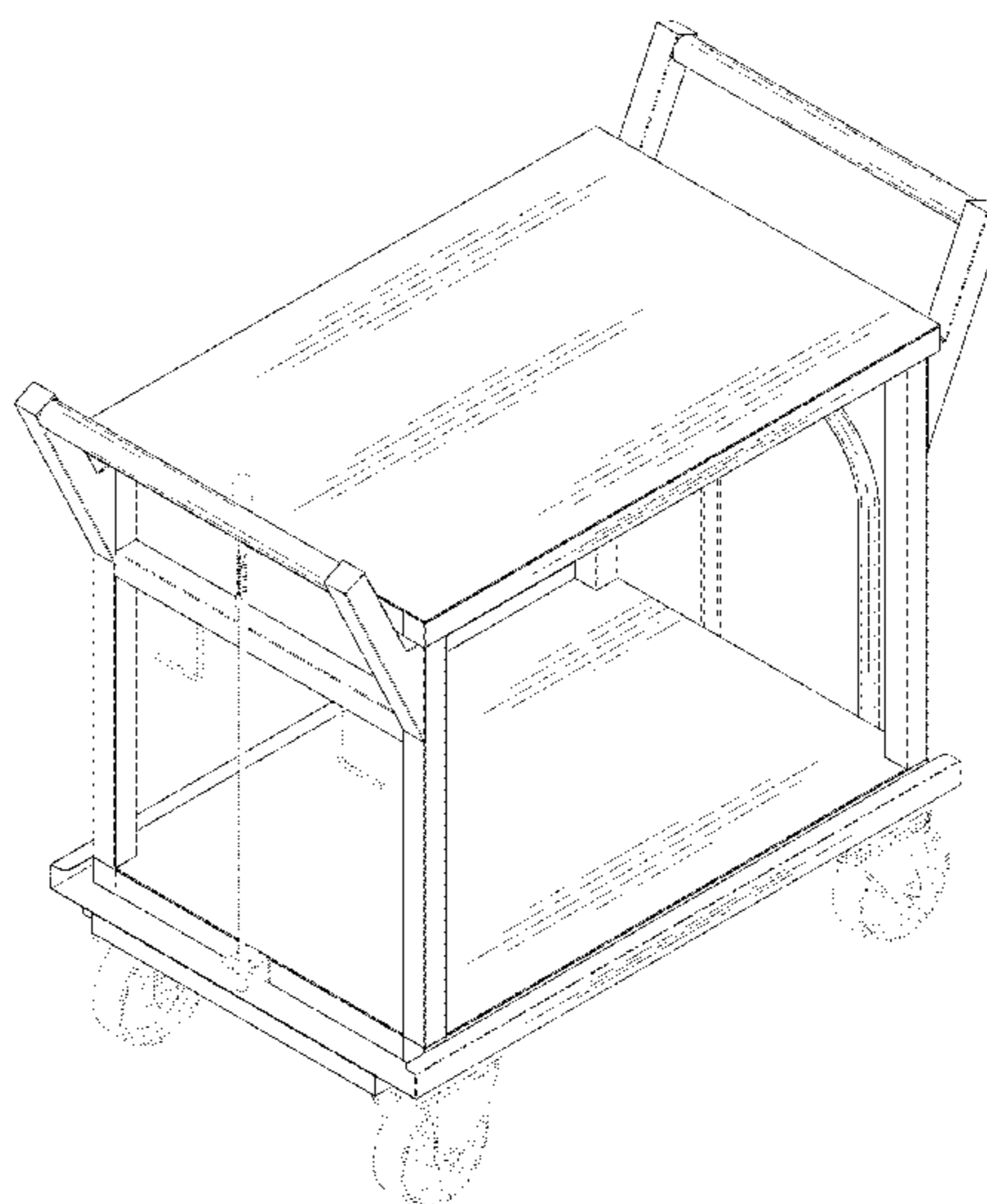
FIG. 5 is a left-side view thereof;

FIG. 6 is a right-side view thereof;

FIG. 7 is a top view thereof; and,

FIG. 8 is a bottom view thereof.

1 Claim, 8 Drawing Sheets



(56)

References Cited

U.S. PATENT DOCUMENTS

5,839,739	A *	11/1998	Shannon	B62B 5/06 134/21
6,027,190	A	2/2000	Stewart	
6,042,127	A	3/2000	Rupolo	
6,394,743	B1	5/2002	Marsden et al.	
6,416,143	B1	7/2002	Janson	
6,695,564	B2	2/2004	Pfisterer	
D493,019	S *	7/2004	Lovegrove	D34/17
D554,323	S *	10/2007	Roth	D34/12
7,377,538	B2 *	5/2008	Stuart	B62B 3/027 280/651
D618,419	S *	6/2010	Catron	D34/12
D710,064	S *	7/2014	Schumaker	D34/17
D780,397	S *	2/2017	Nicoll	D34/21
2003/0205875	A1	11/2003	Ondrasik et al.	
2003/0205878	A1	11/2003	Martis et al.	
2004/0011000	A1	1/2004	Lagerstedt	
2004/0066012	A1 *	4/2004	Choi	B62B 3/02 280/47.35
2005/0012286	A1	1/2005	Woodrow	
2014/0217690	A1 *	8/2014	Schumaker	B62B 3/005 280/47.35

* cited by examiner

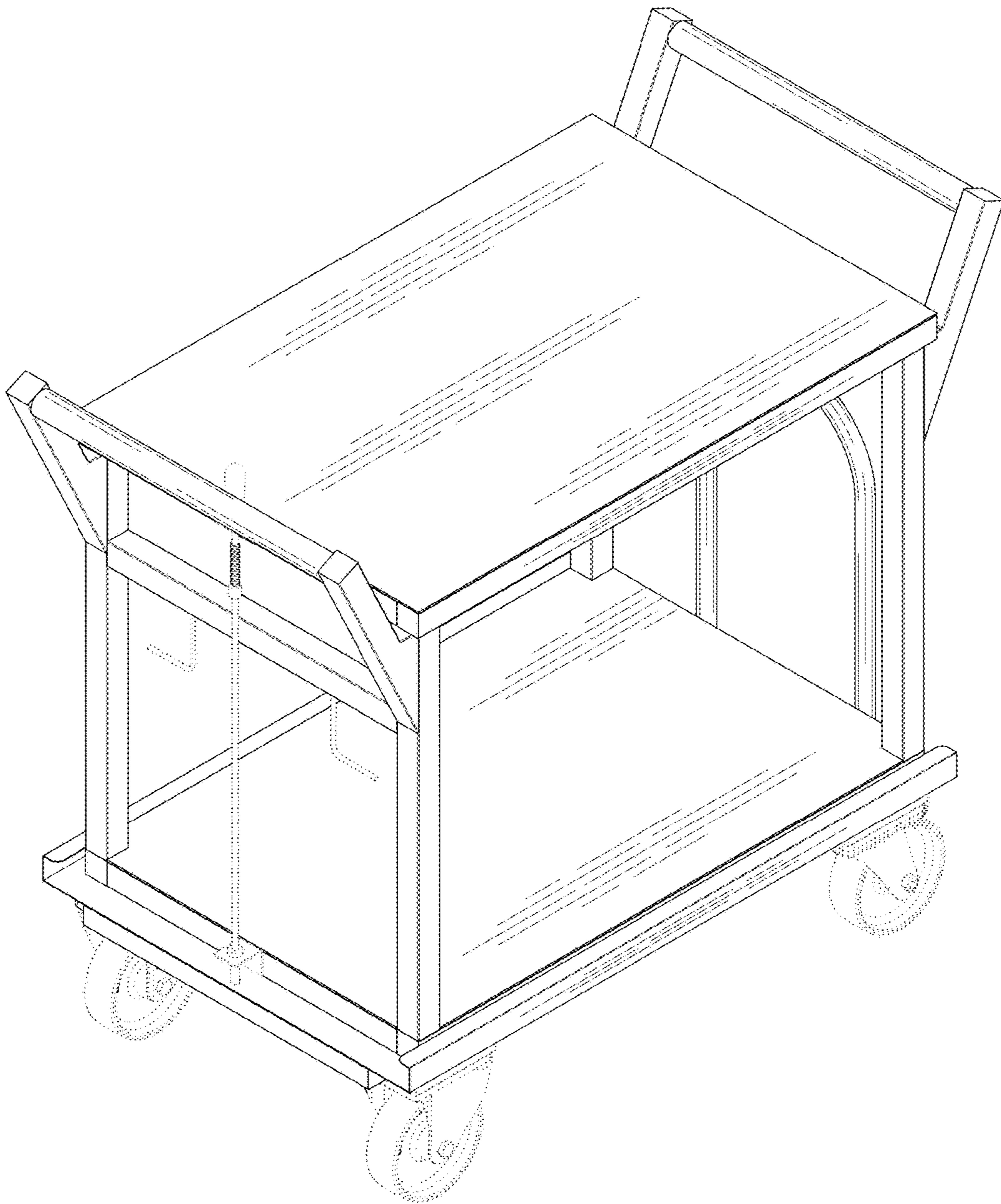


FIG. 1

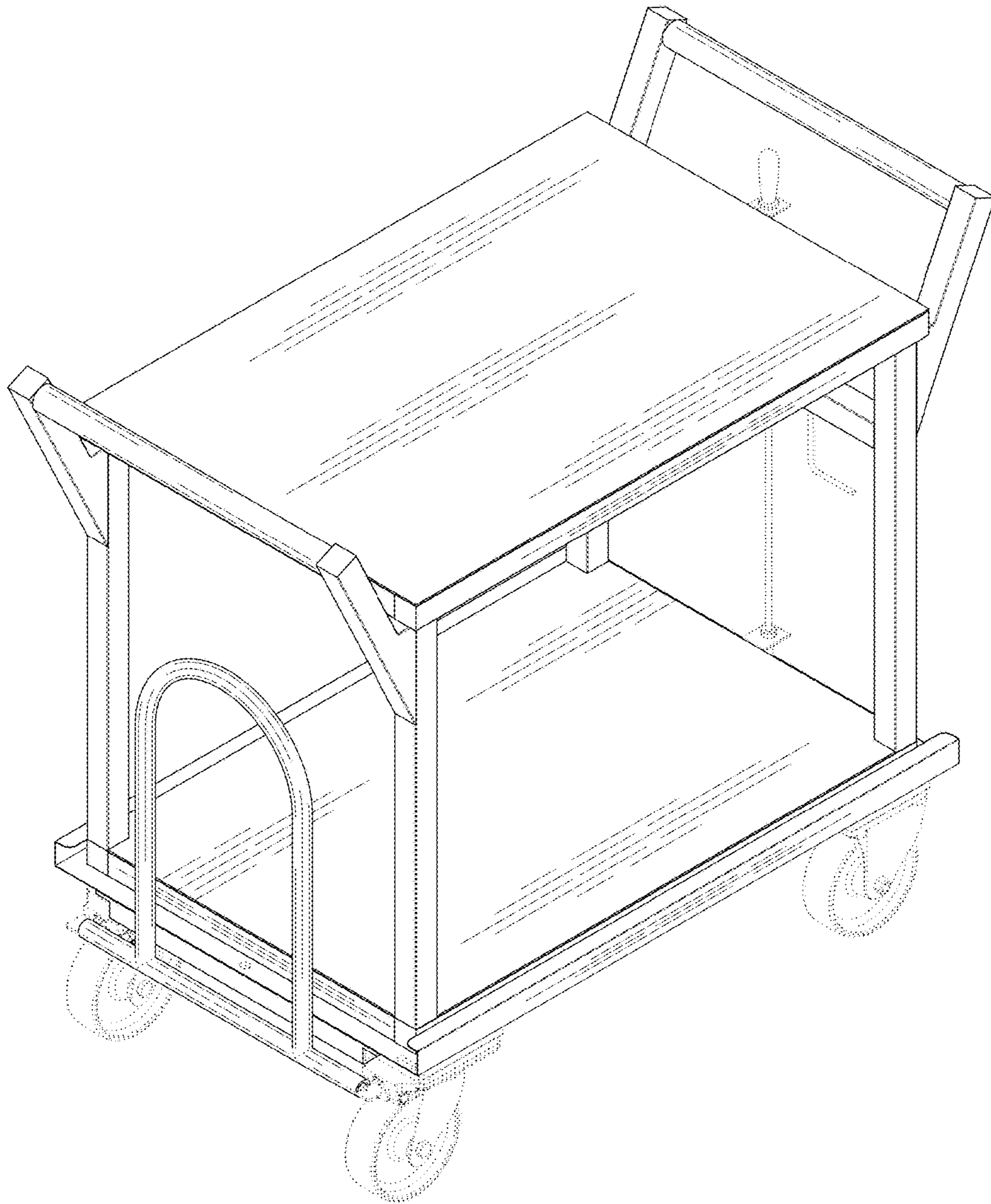


FIG. 2

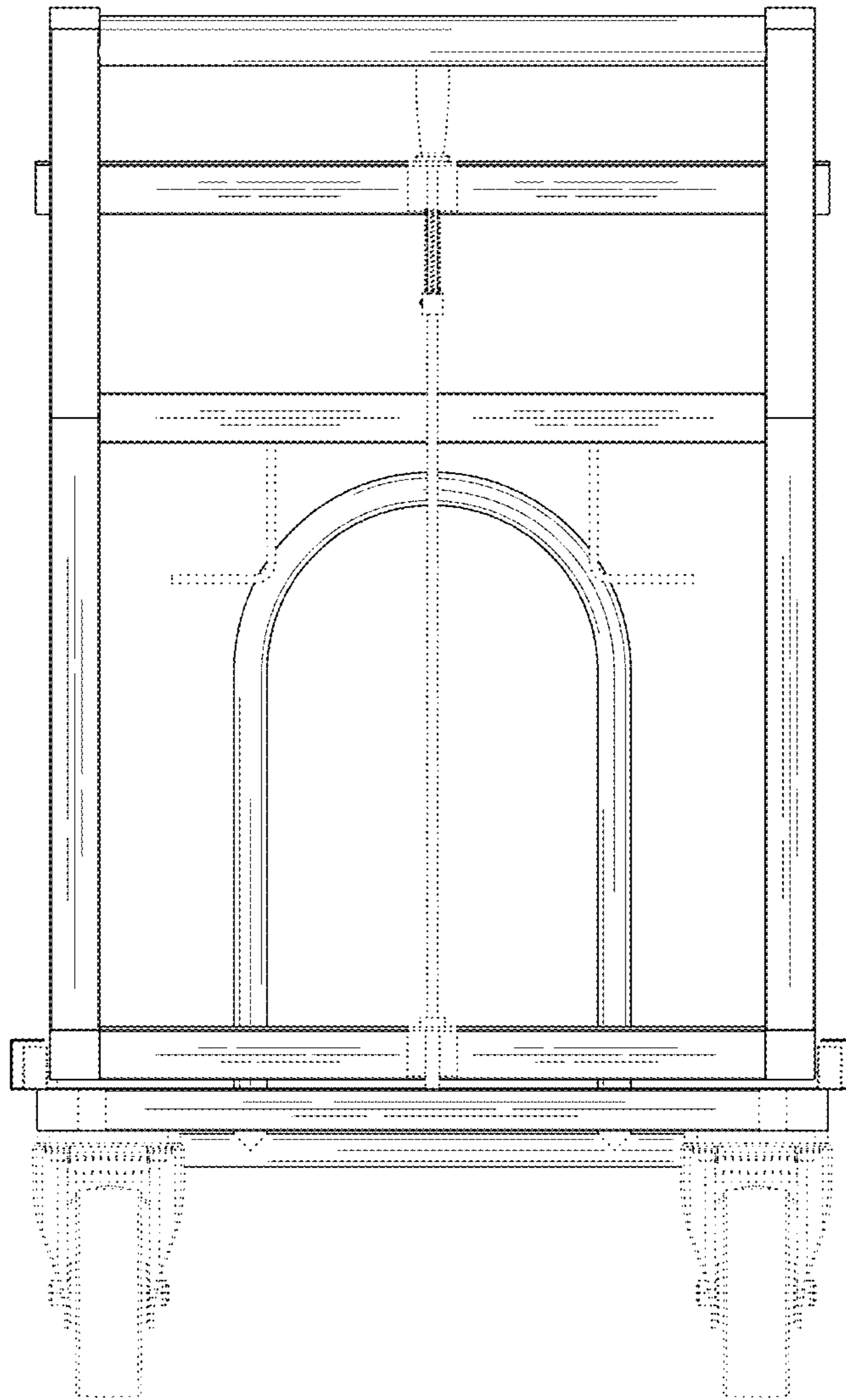


FIG. 3

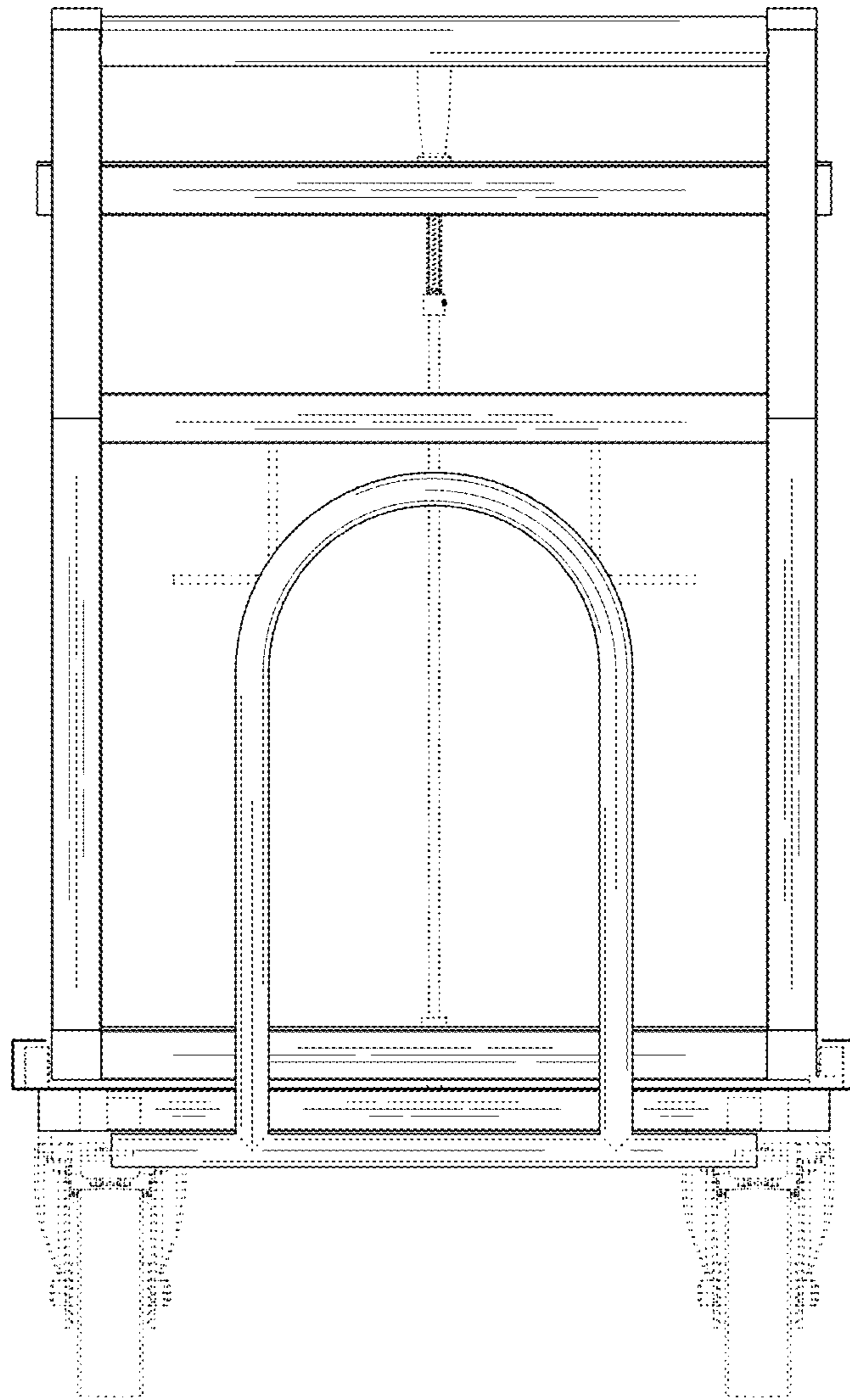


FIG. 4

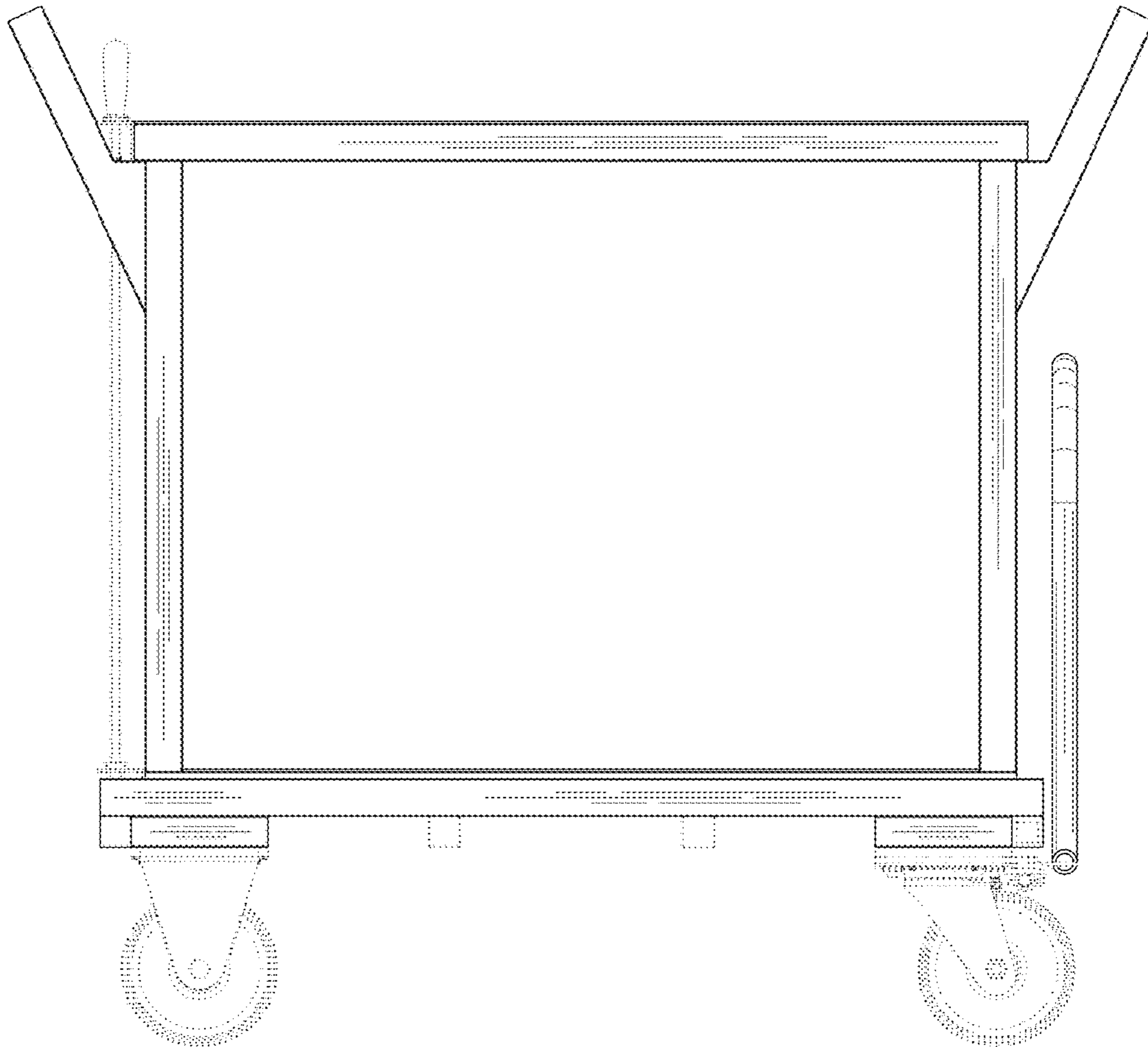


FIG. 5

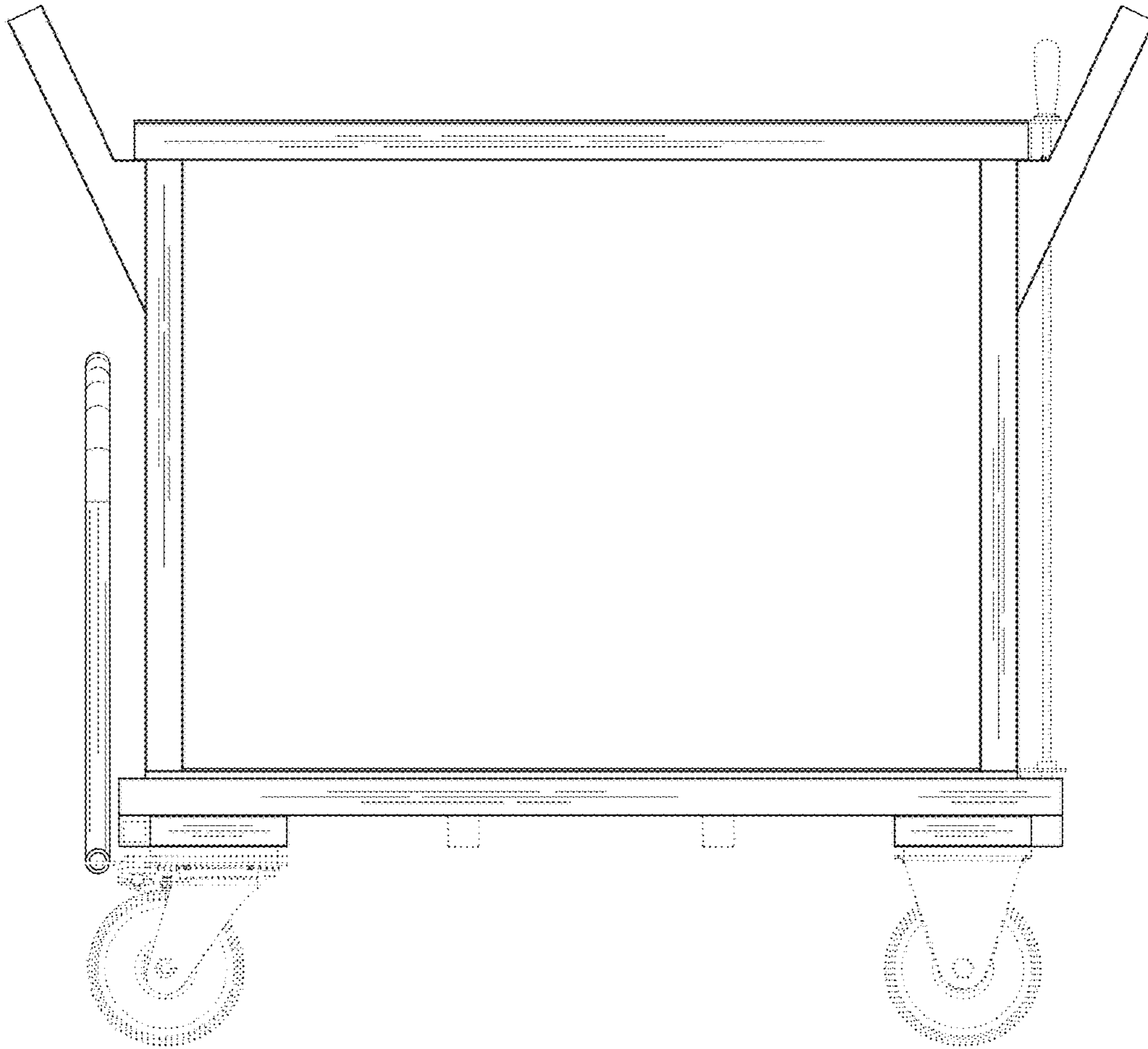


FIG. 6

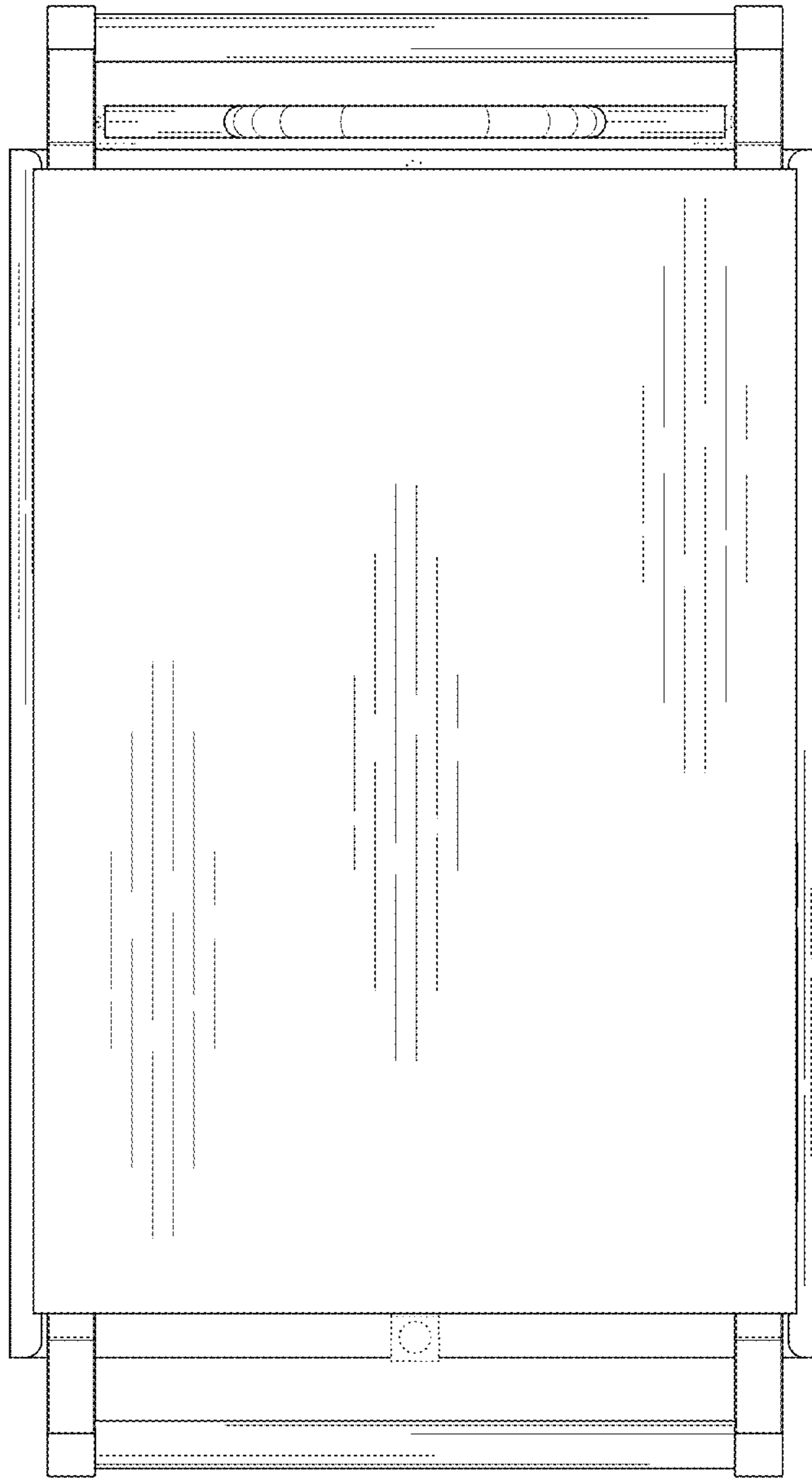


FIG. 7

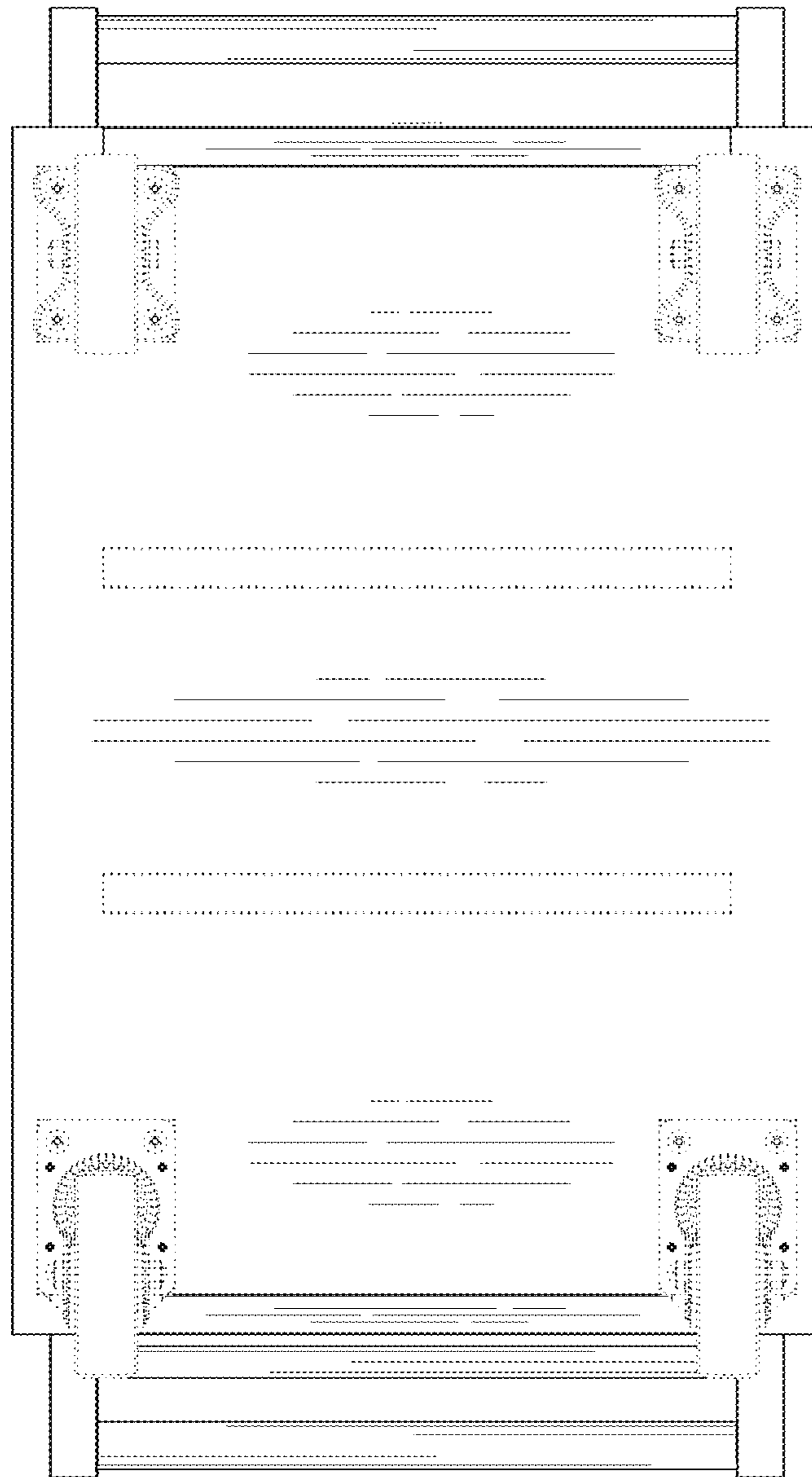


FIG. 8