



US00D809728S

(12) **United States Design Patent** (10) **Patent No.:** **US D809,728 S**
Bowen (45) **Date of Patent:** **** Feb. 6, 2018**

(54) **TRASH RECEPTACLE**
(71) Applicant: **Art Design Works LLC**, Lexington, MA (US)
(72) Inventor: **Allen Bowen**, Beverly, MA (US)
(73) Assignee: **Art Design Works LLC**, Lexington, MA (US)
(**) Term: **15 Years**
(21) Appl. No.: **29/569,712**
(22) Filed: **Jun. 29, 2016**
(51) **LOC (11) Cl.** **09-09**
(52) **U.S. Cl.**
USPC **D34/7**
(58) **Field of Classification Search**
USPC D34/1, 2, 3, 4, 5, 6, 7, 8, 9, 10, 11, 12, D34/13, 14, 17, 19, 20, 21, 22, 25; 220/255, 495, 500, 625, 262, 263, 264, 220/908, 908.1, 909, 910, 911; 232/43.1-43.5; 210/526; 43/55; D19/65, 75, 95, 100; D8/323, 324, 325, D8/326, 327, 328, 329; 16/225, 382, 82, 16/374
CPC E05D 3/02; E05D 7/00; E05D 11/082; E05D 11/1014; E05D 5/04; E05D 2003/025; E05D 2700/04; E05D 7/1044
See application file for complete search history.

(56) **References Cited**
U.S. PATENT DOCUMENTS
1,323,757 A * 12/1919 Gogay E06B 1/52 16/382
D262,188 S * 12/1981 Thompson D8/327
(Continued)

Primary Examiner — Cynthia Ramirez
Assistant Examiner — Michael Maharajh

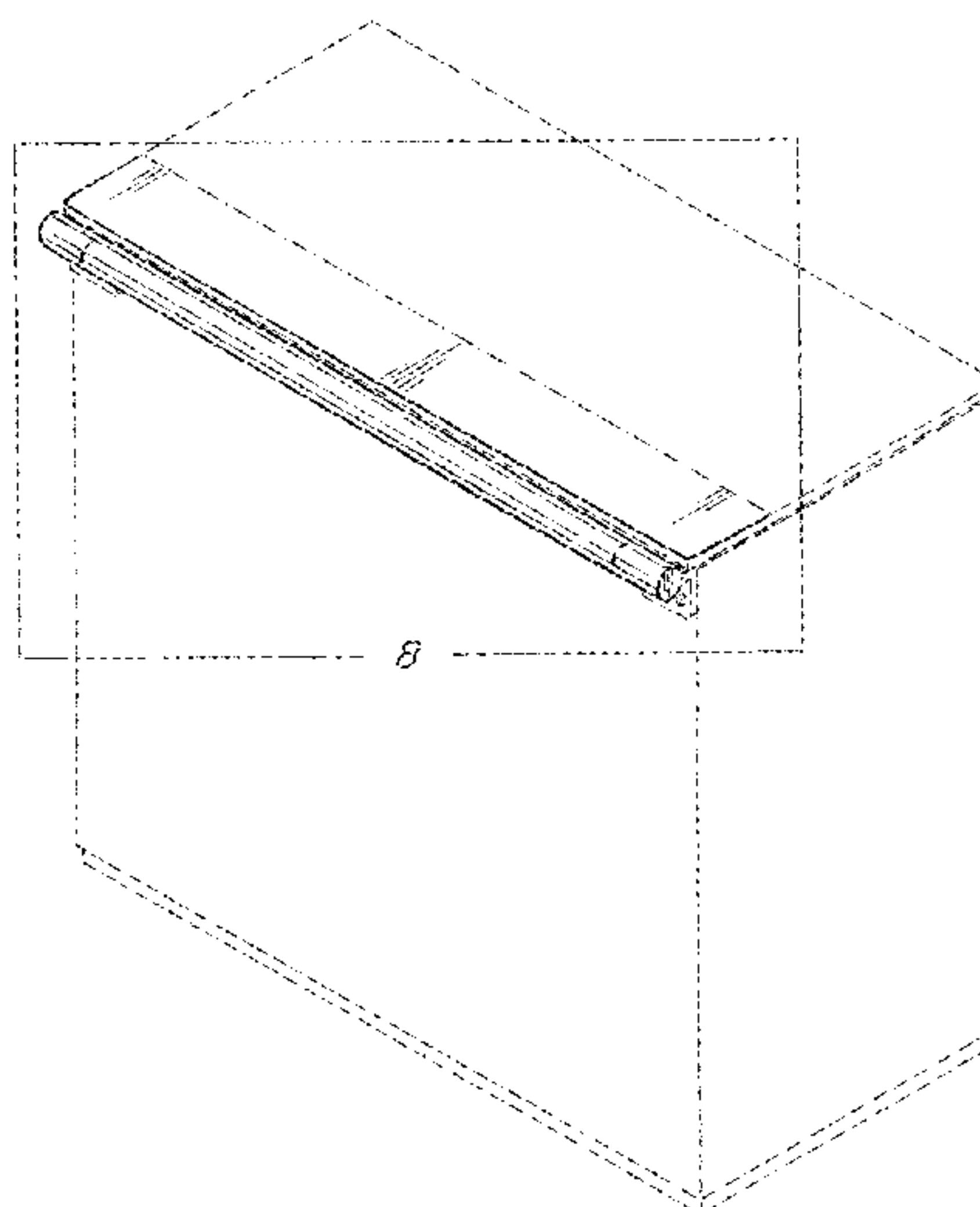
(74) *Attorney, Agent, or Firm* — Wolf, Greenfield & Sacks, P.C.

(57) **CLAIM**
The ornamental design for a trash receptacle, as shown and described.

DESCRIPTION

FIG. 1 is a top, rear, left side perspective view of the trash receptacle showing my new design;
FIG. 2 is a front elevation view thereof;
FIG. 3 is a rear elevation view thereof;
FIG. 4 is a left side elevation view thereof;
FIG. 5 is a right side elevation view thereof;
FIG. 6 is a top plan view thereof;
FIG. 7 is a bottom plan view thereof;
FIG. 8 is an enlarged fragmentary perspective view of the portion shown within the rectangular area identified as 8 in FIG. 1;
FIG. 9 is an enlarged fragmentary perspective view of the portion shown within the rectangular area identified as 9 in FIG. 2;
FIG. 10 is an enlarged fragmentary perspective view of the portion shown within the rectangular area identified as 10 in FIG. 3;
FIG. 11 is an enlarged fragmentary perspective view of the portion shown within the rectangular area identified as 11 in FIG. 4;
FIG. 12 is an enlarged fragmentary perspective view of the portion shown within the rectangular area identified as 12 in FIG. 5;
FIG. 13 is an enlarged fragmentary perspective view of the portion shown within the rectangular area identified as 13 in FIG. 6; and,
FIG. 14 is an enlarged fragmentary perspective view of the portion shown within the rectangular area identified as 14 in FIG. 7.
The dash-dash broken lines represent portions of the trash receptacle that form no part of the claimed design. The dot-dash broken lines represent boundaries of the claimed design and form no part of the claimed design.

1 Claim, 10 Drawing Sheets



(56)

References Cited

U.S. PATENT DOCUMENTS

6,003,203 A * 12/1999 Fowlston B65D 43/168
16/225
6,050,442 A * 4/2000 Wysocki B65F 1/004
220/909
D623,041 S * 9/2010 Ayrest D8/323
D710,181 S * 8/2014 Christensen D8/323
9,206,632 B1 * 12/2015 Fields E05D 7/1005
2010/0301720 A1 * 12/2010 Anderson A47B 21/06
16/82
2011/0197392 A1 * 8/2011 Yamaoka E05D 11/1014
16/82
2012/0240354 A1 * 9/2012 Heninger E05D 5/10
16/374
2013/0276266 A1 * 10/2013 Pendarvis E05D 1/02
16/225
2014/0238986 A1 * 8/2014 Crawford B65F 1/1638
220/211

* cited by examiner

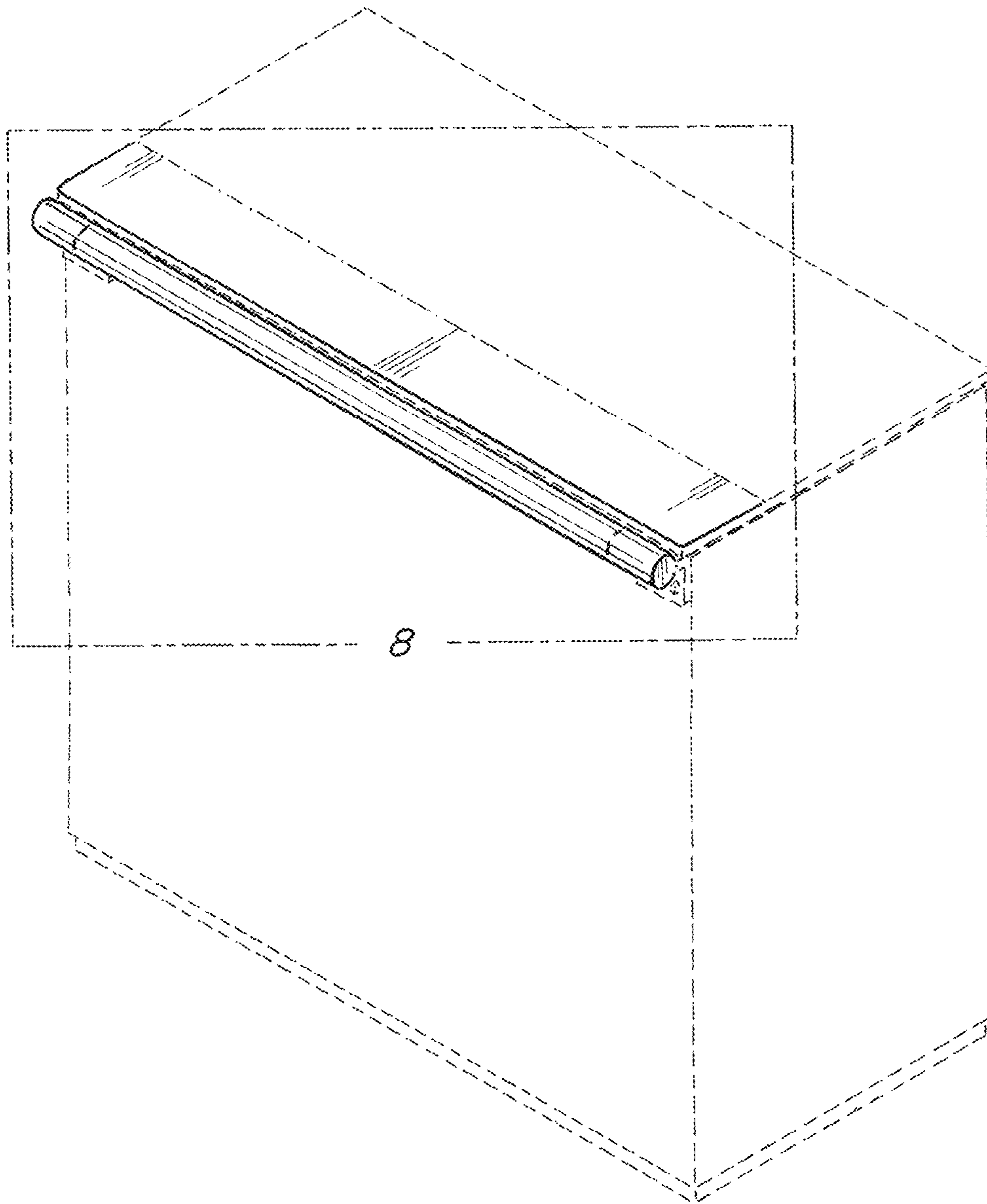


Fig. 1

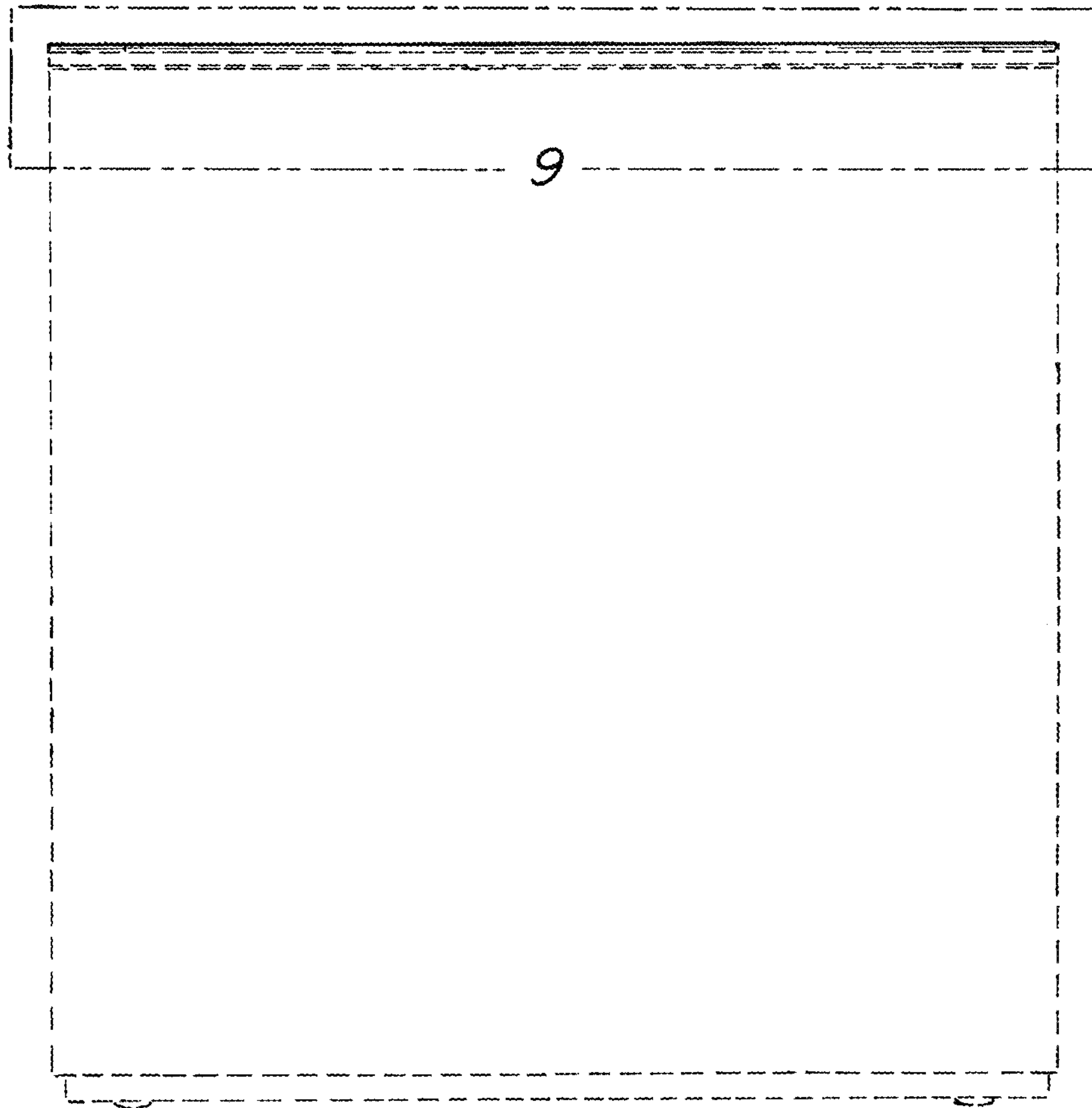


Fig. 2

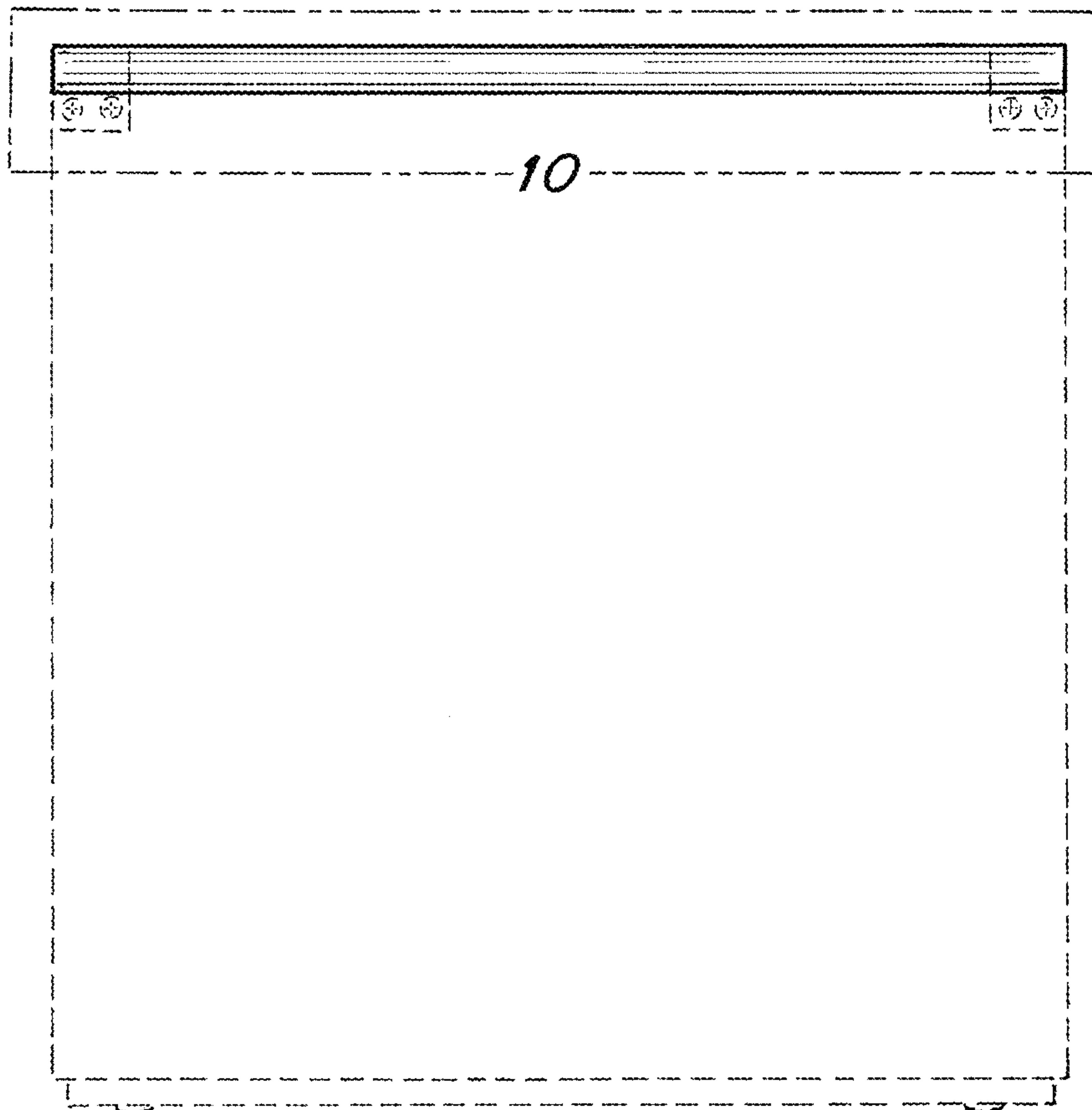


Fig. 3

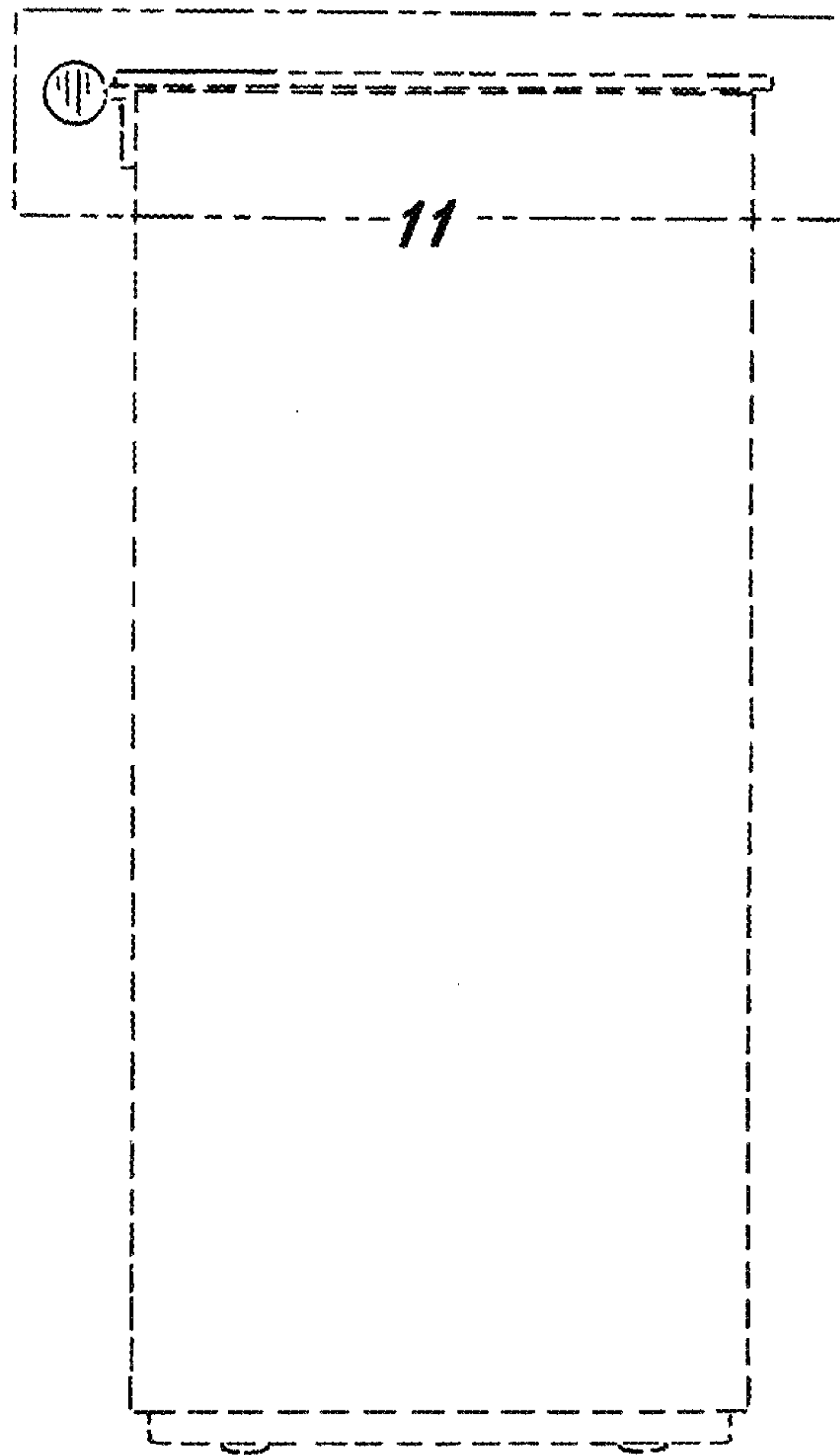


Fig. 4

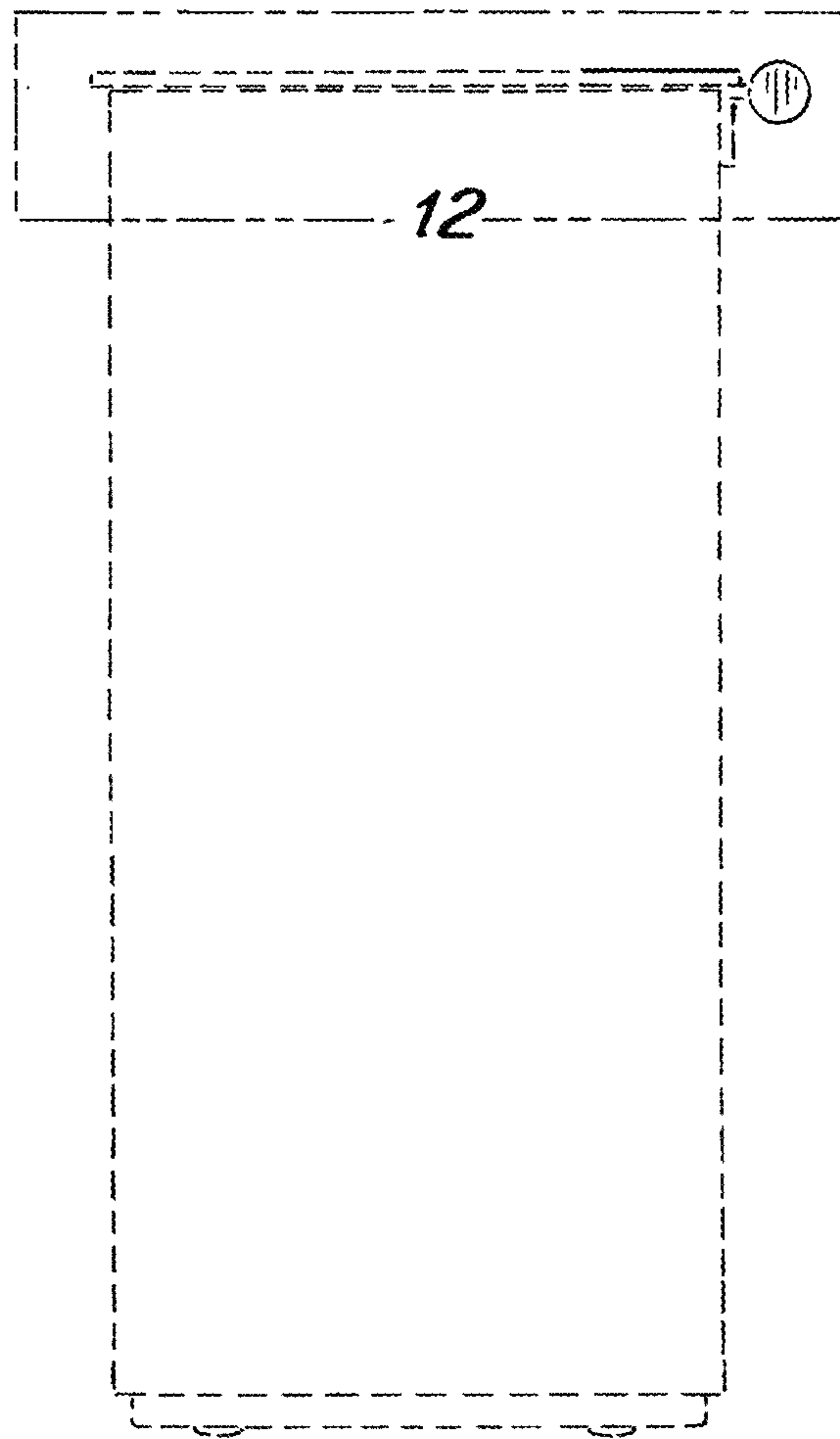


Fig. 5

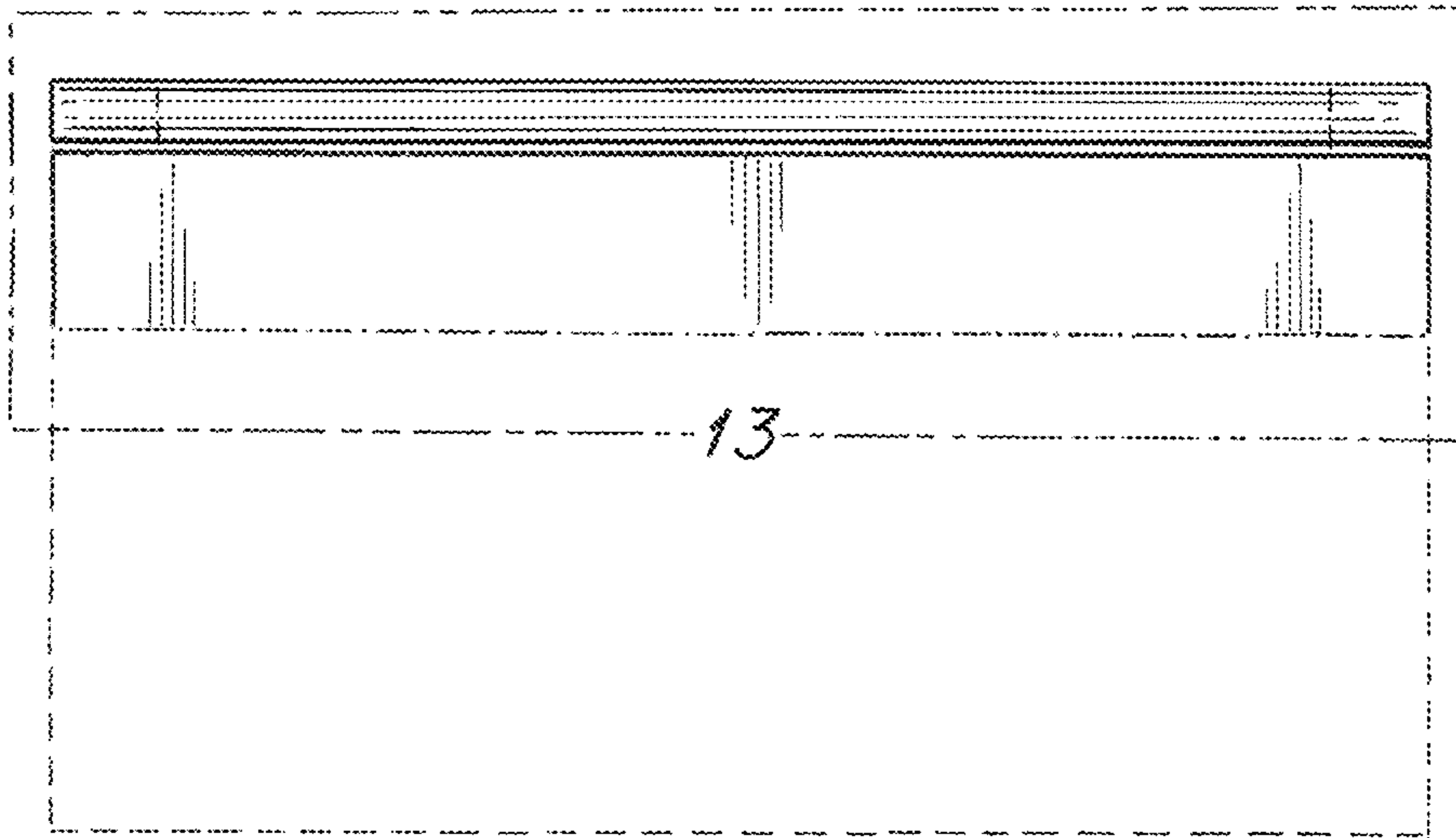


Fig. 6

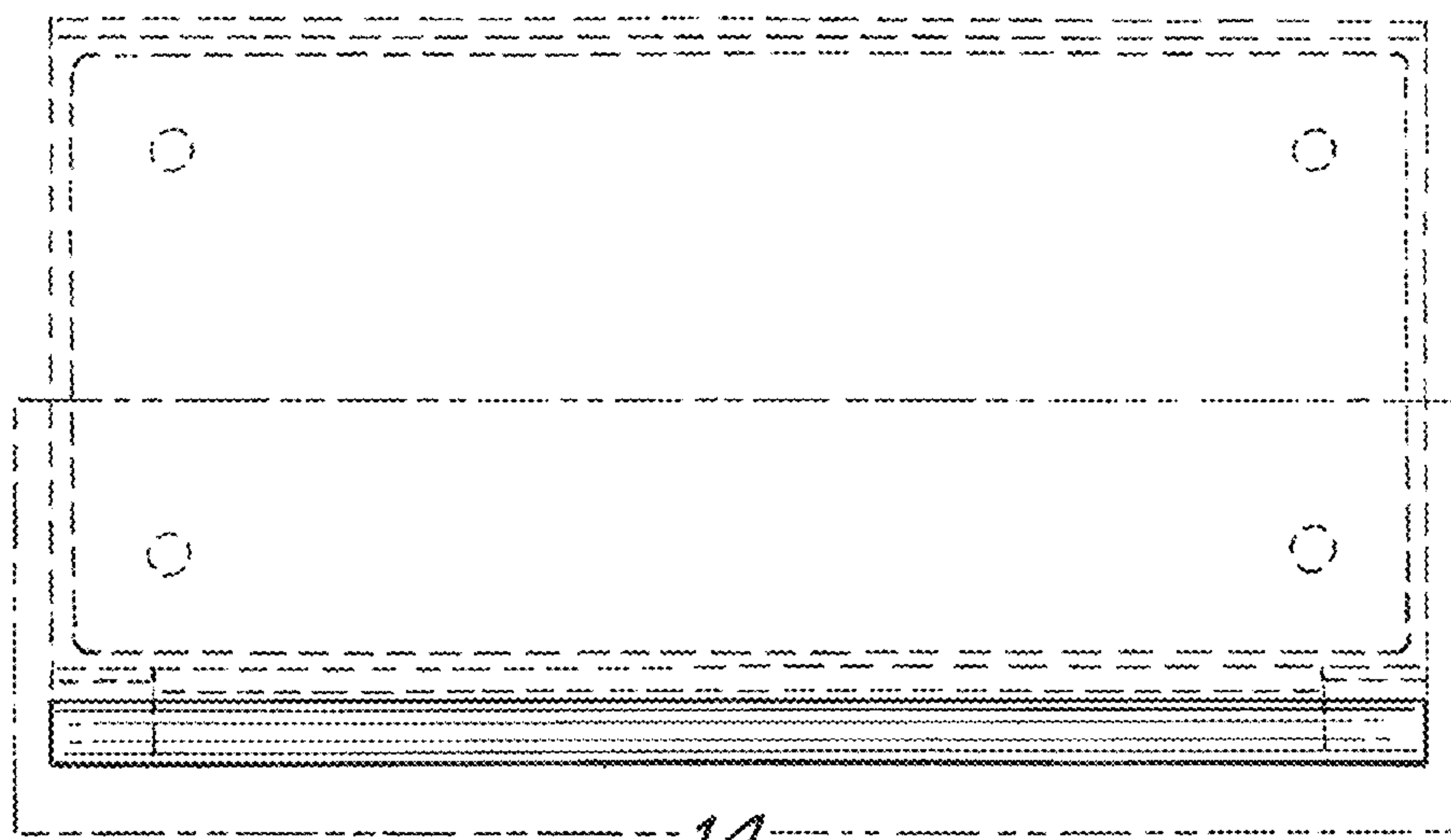


Fig. 7

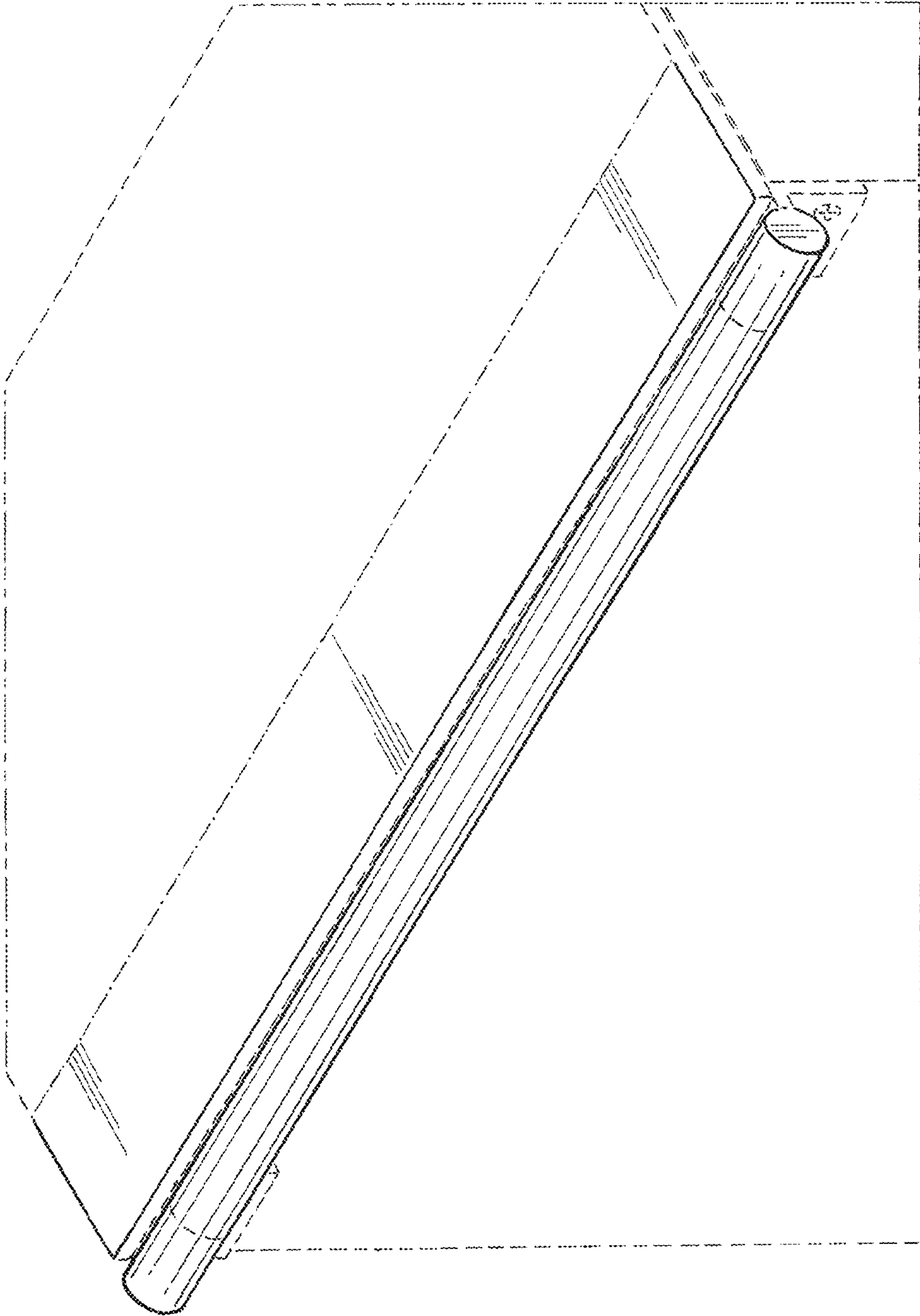


Fig. 8

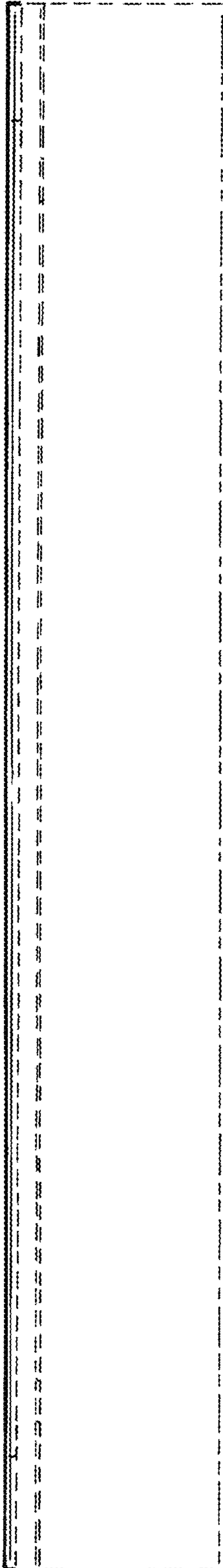


Fig. 9

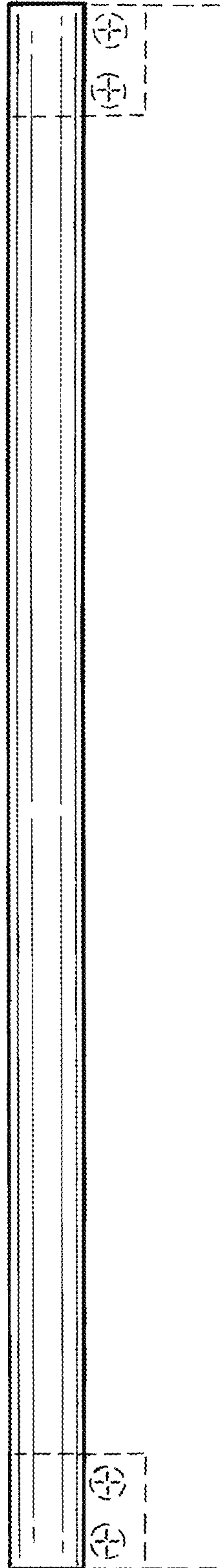


Fig. 10

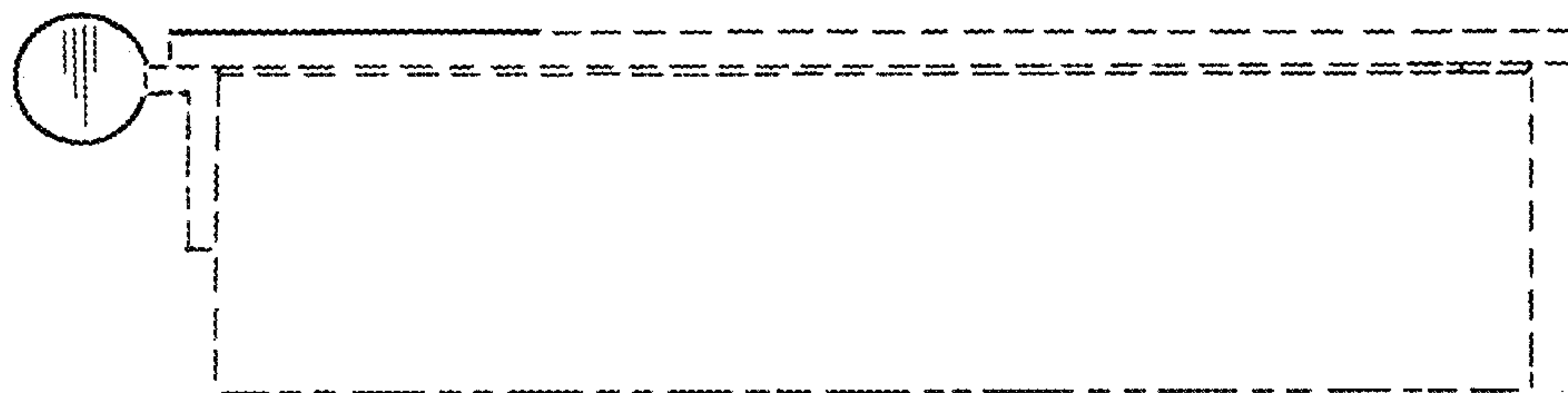


Fig. 11

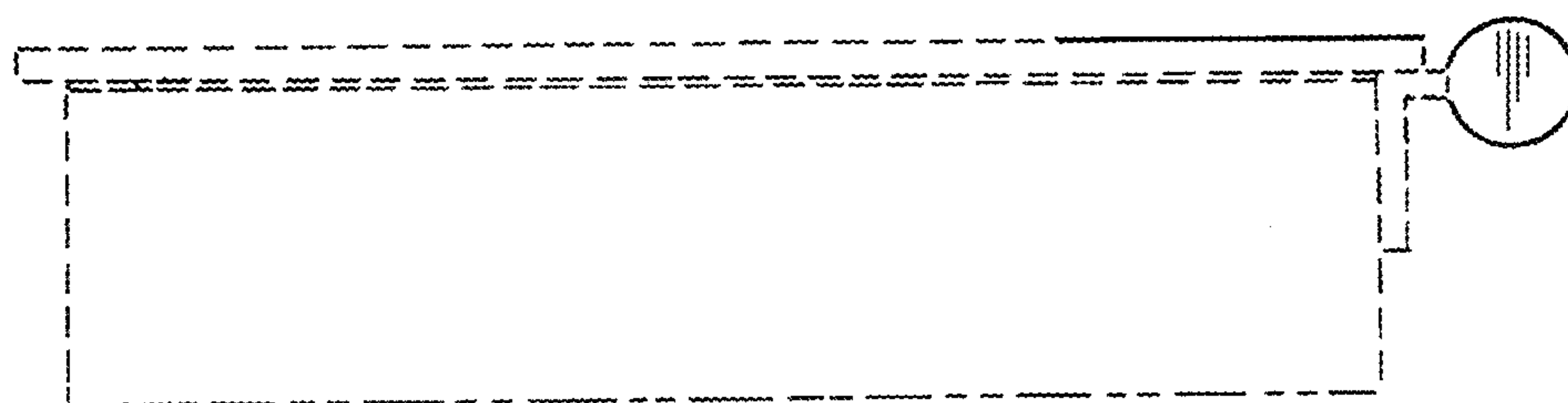


Fig. 12

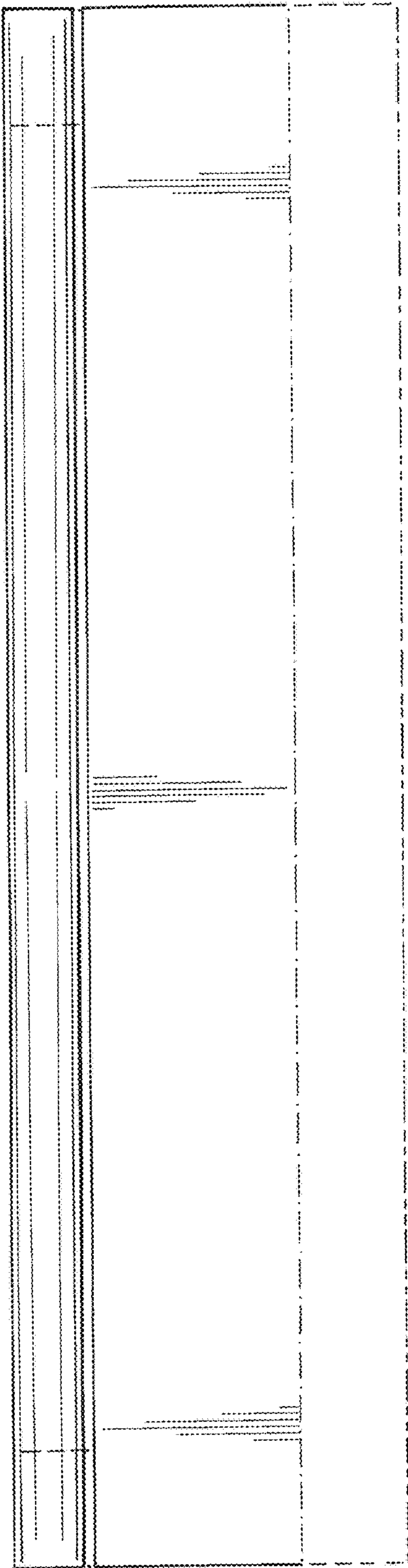


Fig. 13

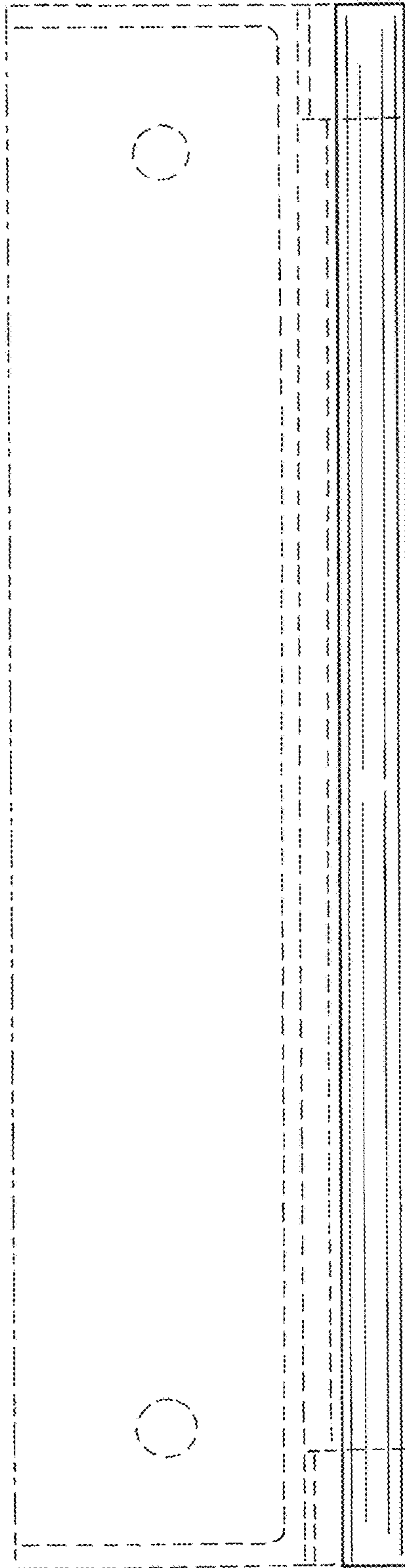


Fig. 14