



US00D809727S

(12) **United States Design Patent** (10) **Patent No.:** **US D809,727 S**
Bensussan et al. (45) **Date of Patent:** **** *Feb. 6, 2018**

- (54) **CLEANING BUCKET**
- (71) Applicant: **Unger Marketing International, LLC**,
Bridgeport, CT (US)
- (72) Inventors: **Bernard Leon Bensussan**, Monroe, CT
(US); **Raymond E. Clepper**, Brooklyn,
NY (US); **Joseph K. Patterson**,
Monroe, CT (US)
- (73) Assignee: **UNGER MARKETING
INTERNATIONAL, LLC**, Bridgeport,
CT (US)
- (*) Notice: This patent is subject to a terminal dis-
claimer.
- (**) Term: **14 Years**
- (21) Appl. No.: **29/480,620**
- (22) Filed: **Jan. 28, 2014**
- (51) **LOC (11) Cl.** **07-07**
- (52) **U.S. Cl.**
USPC **D32/53**
- (58) **Field of Classification Search**
USPC D32/53-54; 220/904, 500, 528, 532
CPC A47L 13/58; A47J 47/18; B44D 3/12
See application file for complete search history.

5,094,375 A 3/1992 Wright
5,615,797 A 4/1997 Ripamonti
5,676,241 A 10/1997 Degoix
D411,674 S * 6/1999 Haley D32/53
D417,935 S * 12/1999 Primeau D32/53
(Continued)

FOREIGN PATENT DOCUMENTS

EP 1382535 A1 1/2004
EP 1516575 A2 3/2005
WO 2007107681 A2 9/2007

Primary Examiner — Robin V Webster
(74) *Attorney, Agent, or Firm* — Ohlandt, Greeley,
Ruggiero & Perle, L.L.P.

(57) **CLAIM**

The ornamental design for a cleaning bucket, as shown and described.

DESCRIPTION

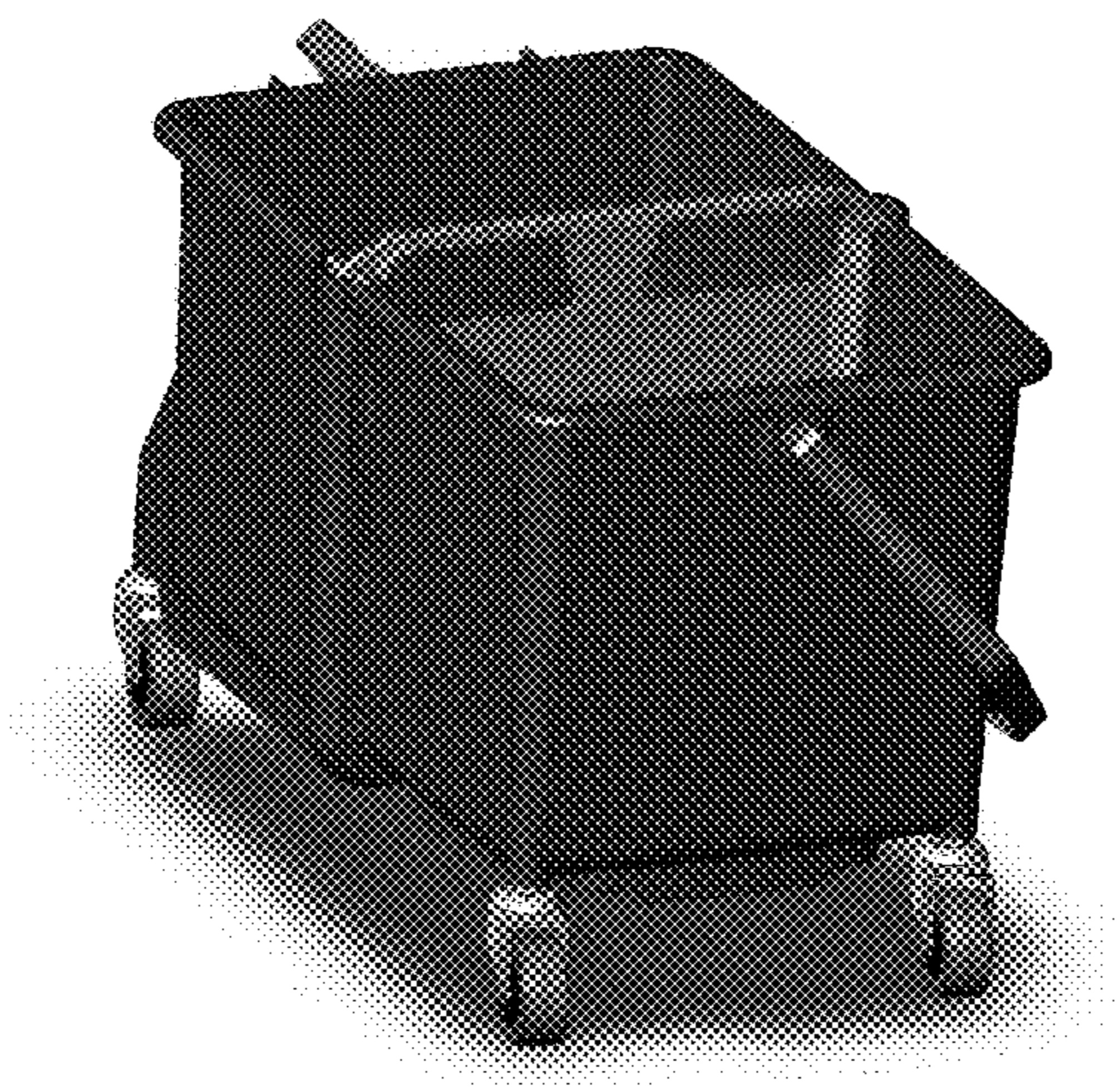
The patent or application file contains at least one drawing executed in color. Copies of this patent or patent application publication with color drawing(s) will be provided by the Office upon request and payment of the necessary fee. FIG. 1 is an end isometric view of a cleaning bucket according to the present disclosure; FIG. 2 is a side isometric view of the cleaning bucket of FIG. 1; FIG. 3 is a side view of the cleaning bucket of FIG. 1; FIG. 4 is a second, opposite side view of the cleaning bucket of FIG. 1; FIG. 5 is an end view of the cleaning bucket of FIG. 1; FIG. 6 is a second, opposite end view of the cleaning bucket of FIG. 1; FIG. 7 is a top view of the cleaning bucket of FIG. 1; and, FIG. 8 is a bottom view of the cleaning bucket of FIG. 1.

1 Claim, 8 Drawing Sheets
(8 of 8 Drawing Sheet(s) Filed in Color)

(56) **References Cited**

U.S. PATENT DOCUMENTS

166,102 A 7/1875 Hannaman
1,848,331 A 3/1932 Esslinger
2,712,668 A * 7/1955 Thiele A47J 47/18
15/264
D212,831 S * 11/1968 Koch D32/53
4,301,942 A 11/1981 Kupperman
4,436,215 A 3/1984 Kliener
4,577,773 A 3/1986 Bitel
4,713,859 A * 12/1987 Smith, Jr. A47L 13/58
15/264
5,082,139 A 1/1992 Quam



(56)

References Cited

U.S. PATENT DOCUMENTS

6,851,566	B1	2/2005	Bonner	
7,083,064	B2	8/2006	Zorzo	
7,174,600	B2 *	2/2007	Kresse A47L 13/20 15/144.2
D546,012	S *	7/2007	Casteel D32/53
D611,215	S *	3/2010	Miller D32/53
7,721,362	B2	5/2010	Martin	
7,946,445	B2	3/2011	Tytar	
7,984,820	B2	7/2011	Dancyger	
8,108,963	B2 *	2/2012	Griot G01F 19/00 15/264
D694,978	S *	12/2013	Libman D32/53
8,763,810	B2 *	7/2014	Zorzo A47L 13/58 206/515
8,770,432	B2 *	7/2014	Rueckheim A47J 47/18 206/504
2002/0096525	A1	7/2002	Bertoldo	
2004/0007577	A1	1/2004	Zorzo	
2006/0070202	A1	4/2006	Laurer	
2008/0128428	A1	6/2008	Beckerman	
2009/0057305	A1	3/2009	Moreau	
2012/0228304	A1	9/2012	Rueckheim	

* cited by examiner

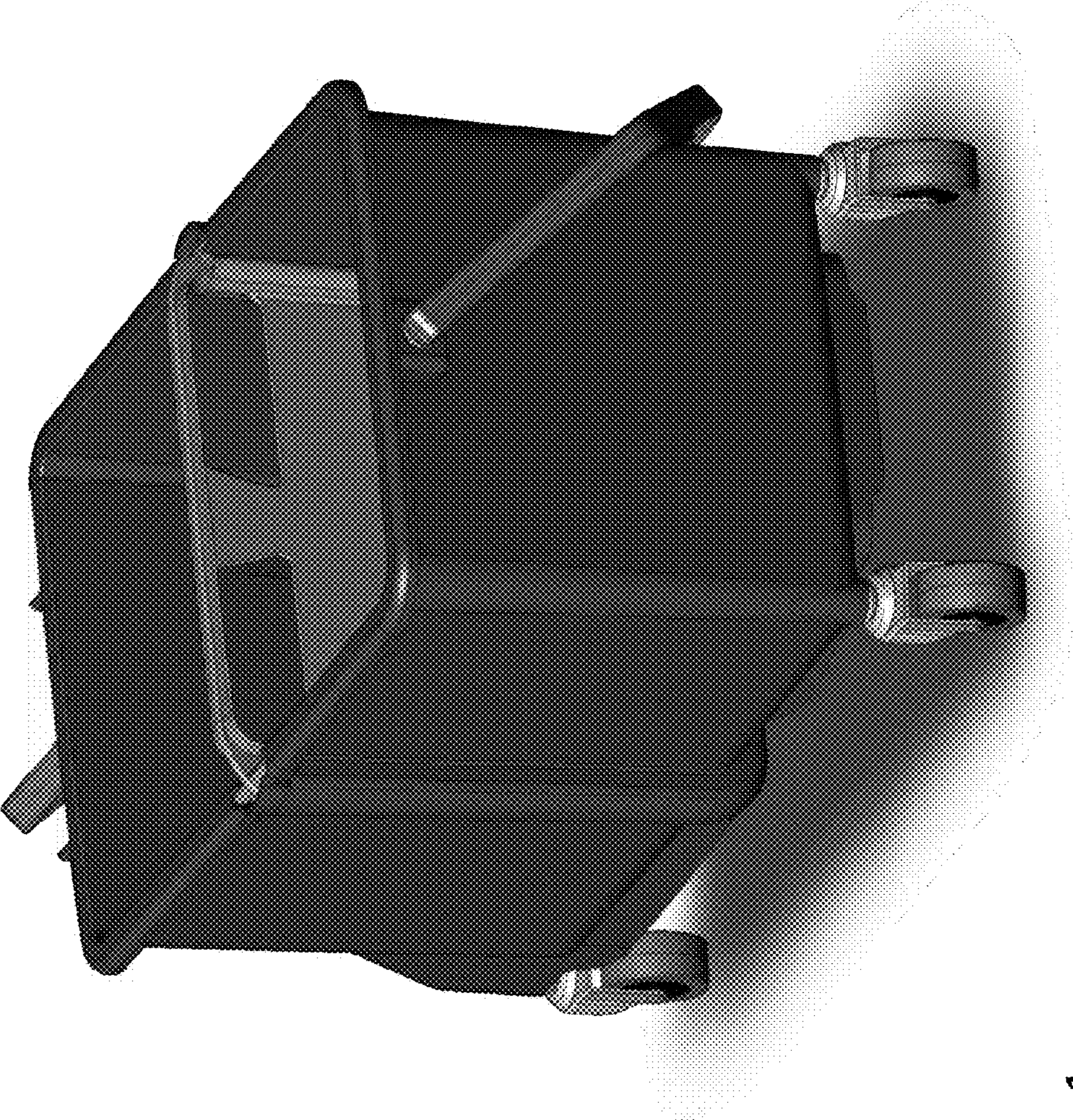


FIG. 1

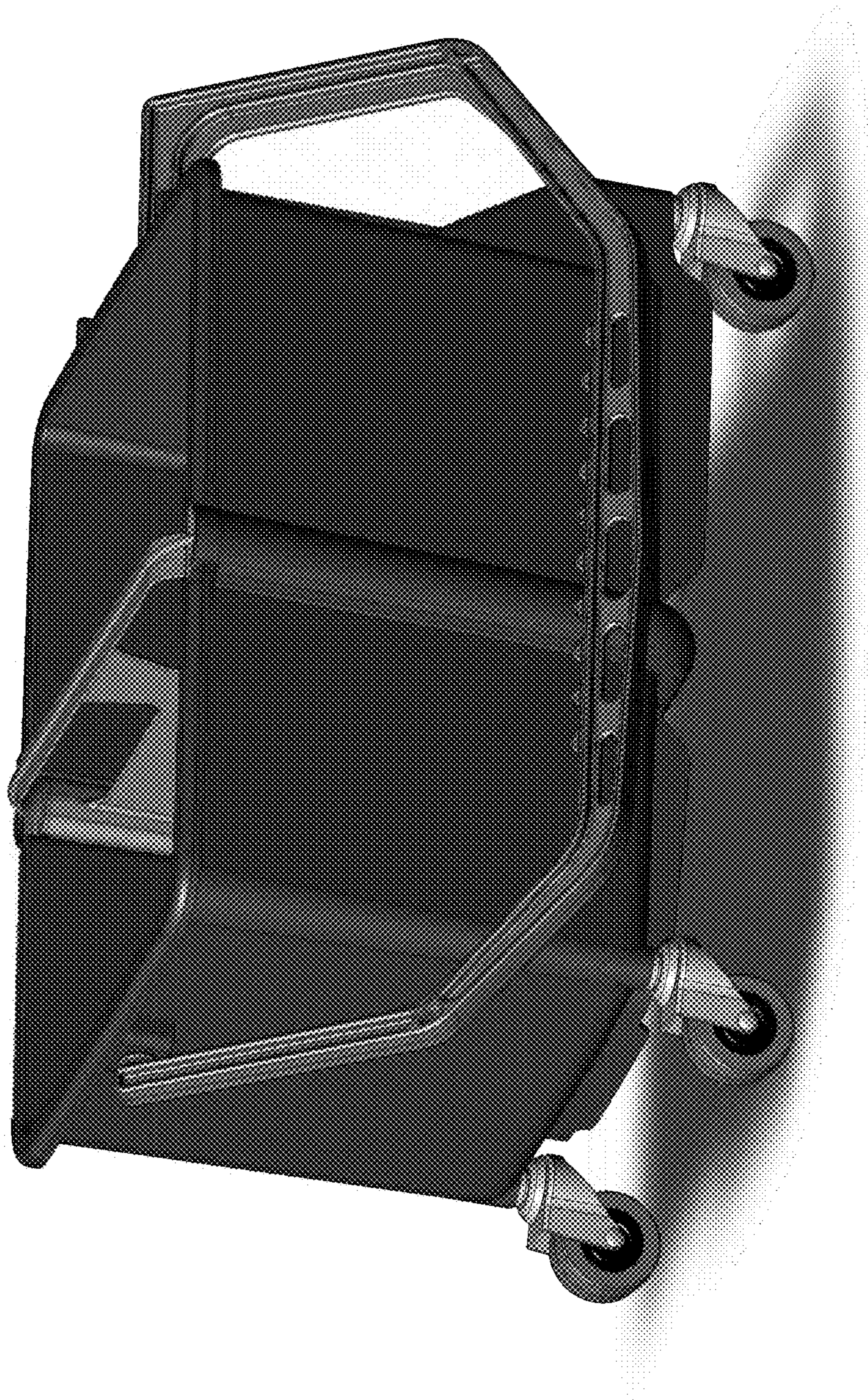


FIG. 2

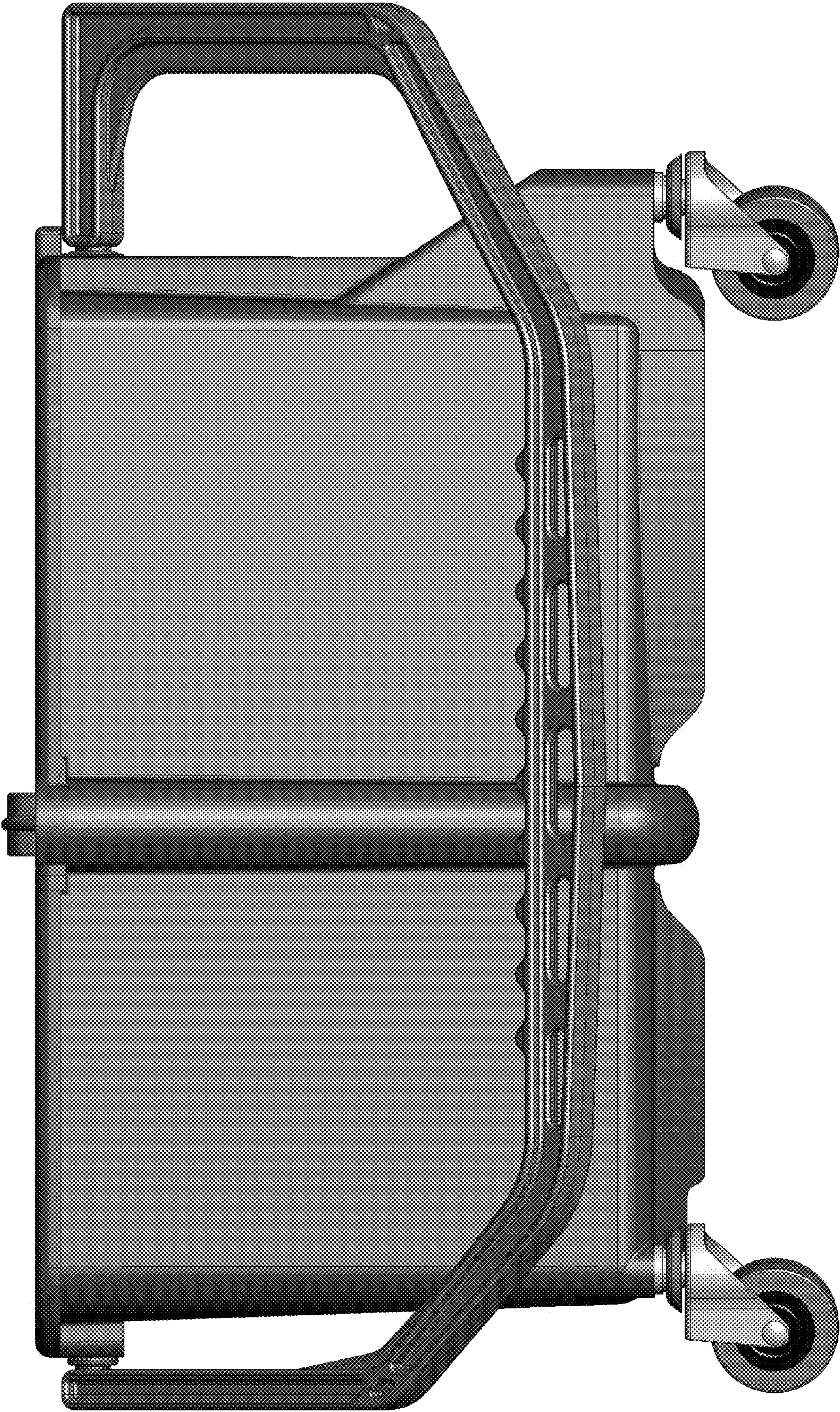


FIG. 3

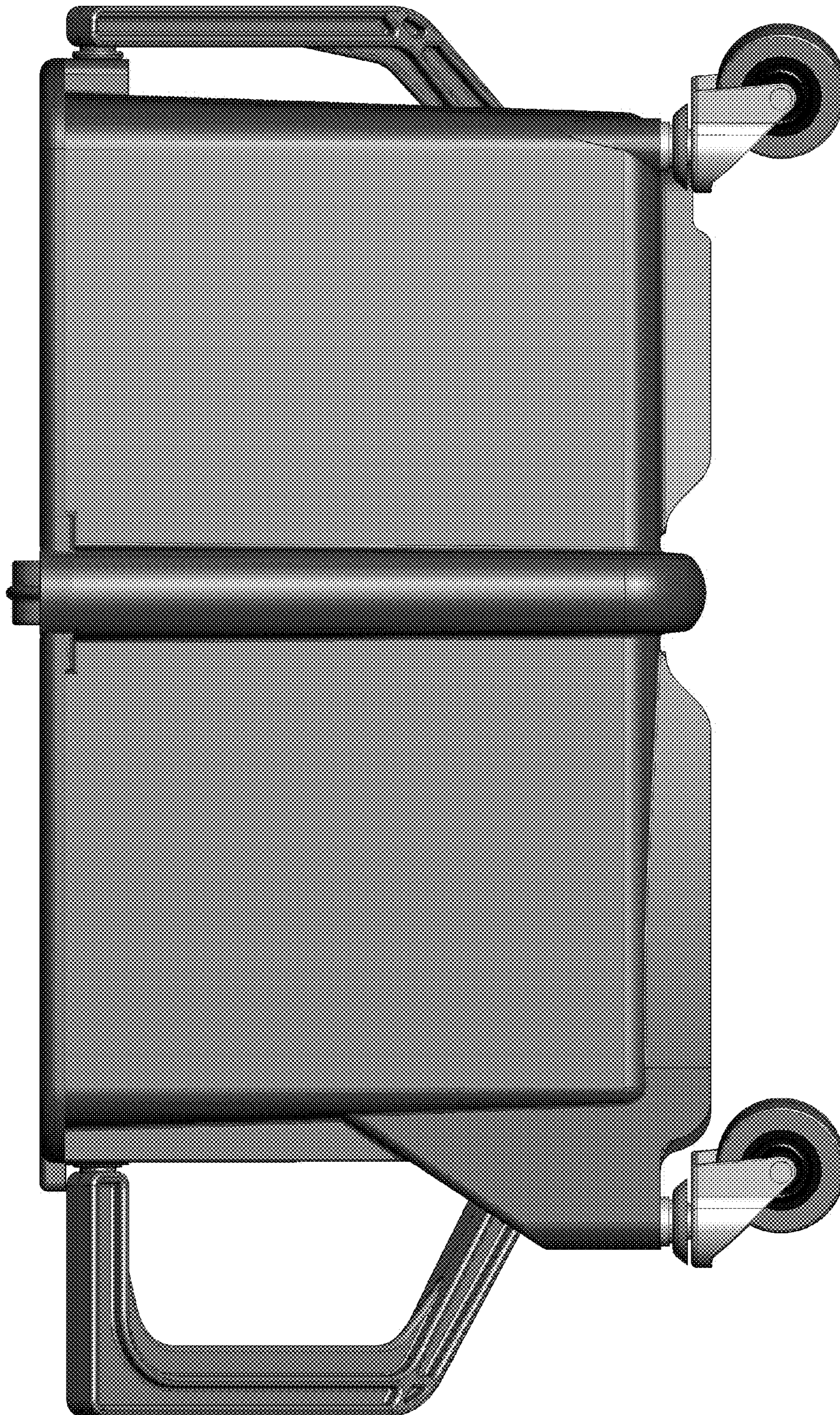


FIG. 4

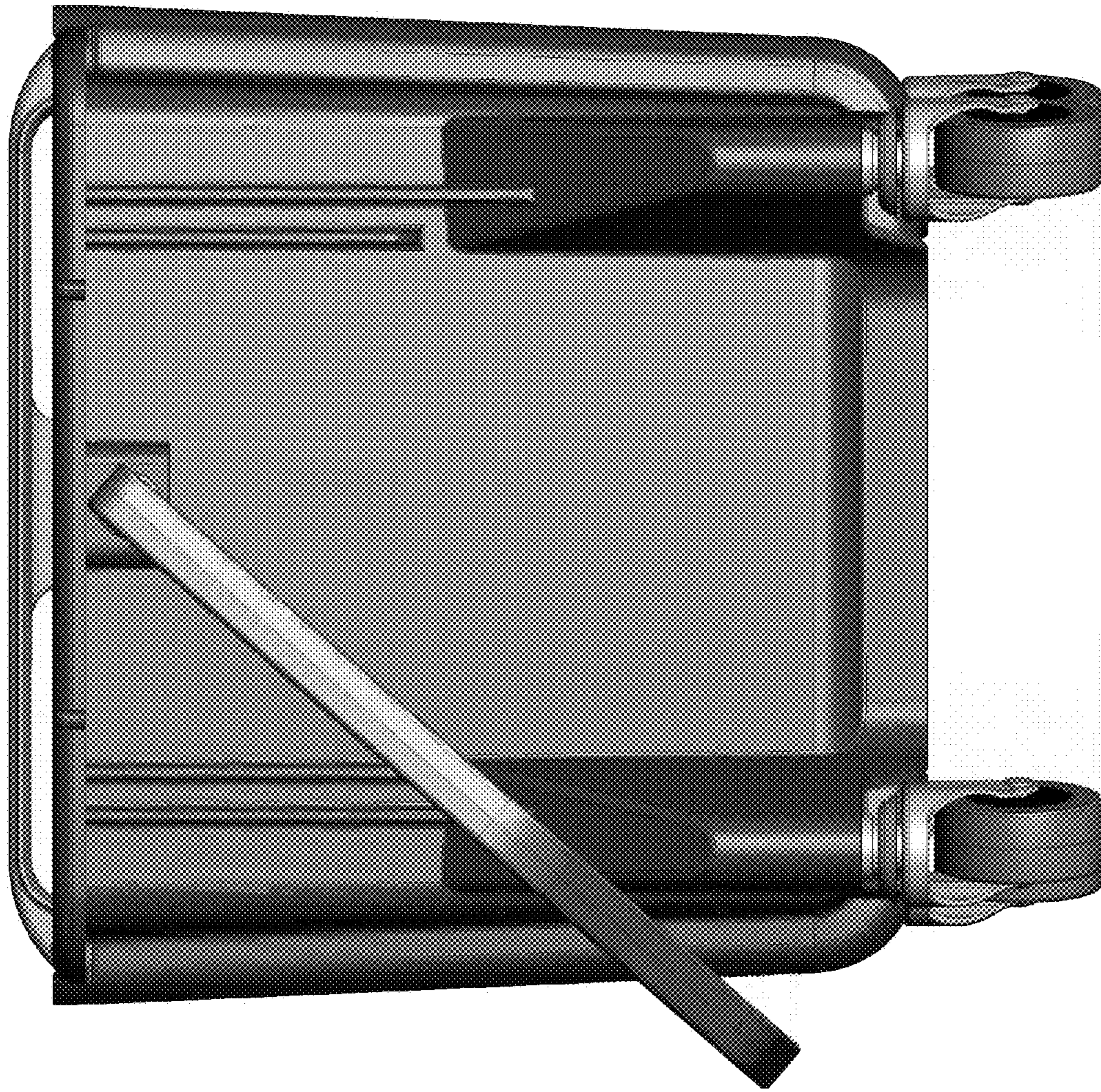


FIG. 5

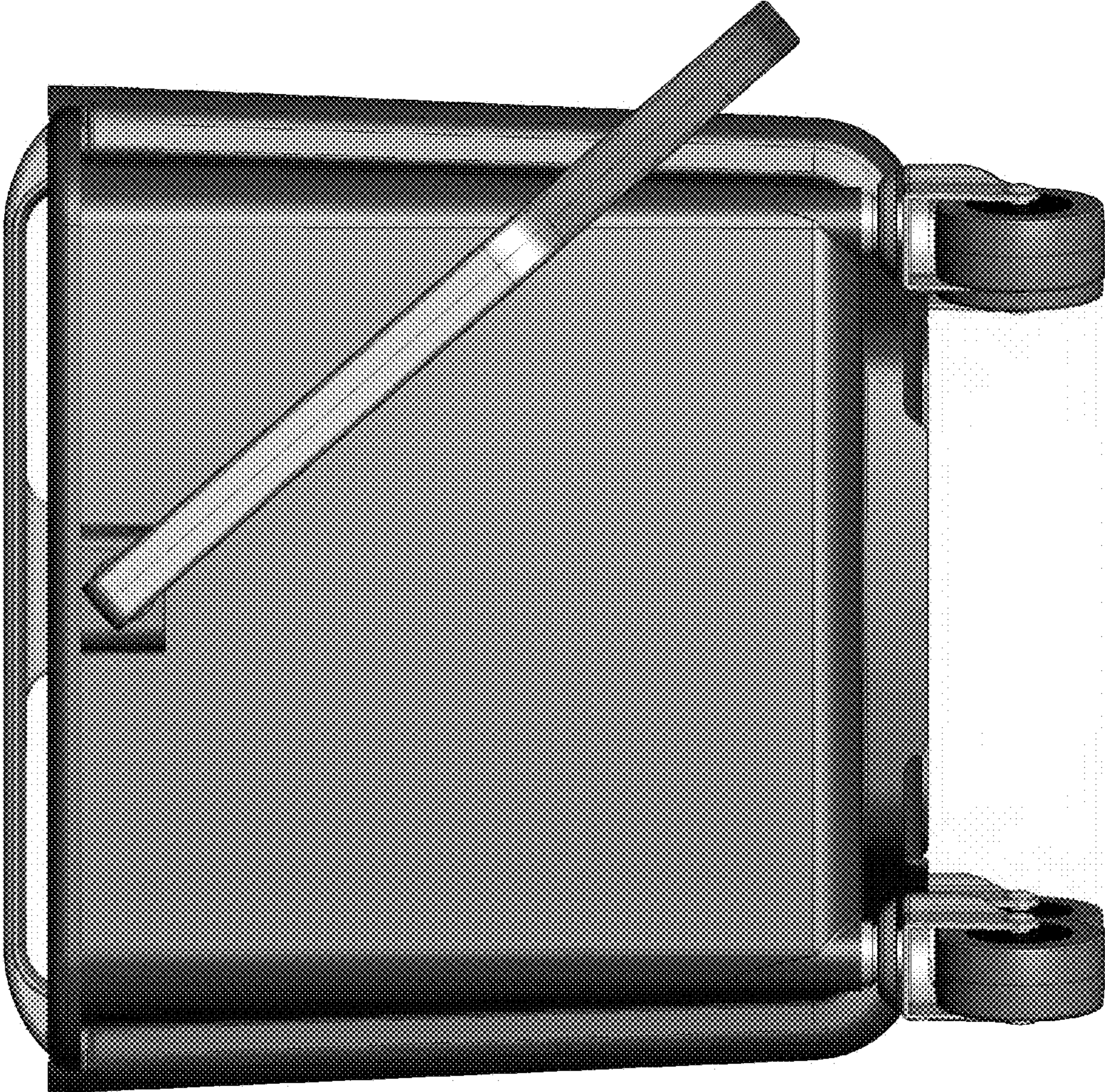


FIG. 6

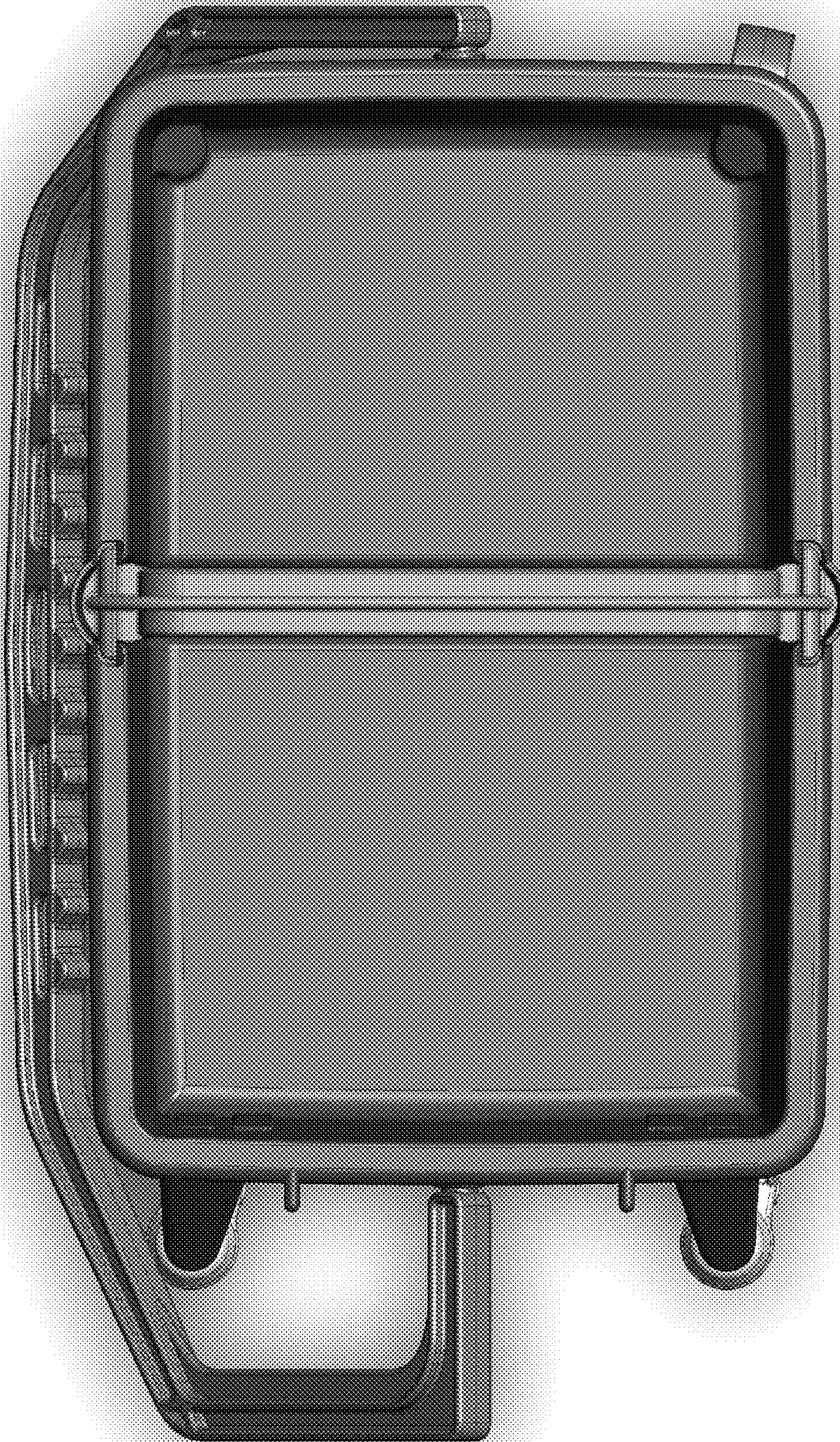


FIG. 7



FIG. 8