



US00D809725S

(12) **United States Design Patent**
Dammkoehler et al.

(10) **Patent No.:** **US D809,725 S**
(45) **Date of Patent:** **** Feb. 6, 2018**

(54) **LOWER PORTION OF A VACUUM CLEANER**

(71) Applicant: **Alfred Kaercher GmbH & Co. KG**,
Winnenden (DE)

(72) Inventors: **Denis Dammkoehler**, Backnang (DE);
Zheyi Jin, Schwaikheim (EM)

(73) Assignee: **Alfred Kaercher GmbH & Co. KG**,
Winnenden (DE)

(**) Term: **15 Years**

(21) Appl. No.: **29/560,137**

(22) Filed: **Apr. 4, 2016**

(30) **Foreign Application Priority Data**

Oct. 29, 2015 (WO) 931413501

(51) **LOC (11) Cl.** **15-05**

(52) **U.S. Cl.**
USPC **D32/31**

(58) **Field of Classification Search**
USPC D32/17-18, 21-25, 31
CPC . A47L 5/28; A47L 9/20; A47L 9/1683; A47L
9/1666; A47L 9/1608; A47L 9/18; A47L
9/0038; A47L 9/127; A47L 9/10; A47L
9/102; A47L 7/0038; B01D 50/002
See application file for complete search history.

(56) **References Cited**

U.S. PATENT DOCUMENTS

D547,507 S * 7/2007 Medema D32/31
7,814,926 B2 * 10/2010 Hoffmeier A47L 7/0028
137/205
D683,093 S * 5/2013 Kim D32/22

D685,961 S * 7/2013 Bilger D32/31
D778,015 S * 1/2017 Miller D32/31
9,668,631 B2 * 6/2017 Conrad A47L 5/225
9,675,219 B1 * 6/2017 Chaffin A47L 9/1608
D792,669 S * 7/2017 Johnson D32/31

OTHER PUBLICATIONS

Extract from catalog of Alfred Kaercher GmbH & Co. KG, "Pro-
gramme 2011 Kaercher Professional (Commercial)", cover, p. 148
and last page (Feb. 2011).

Extract from catalog of Alfred Kaercher GmbH & Co. KG, "Pro-
gramme 2011/2012 Kaercher Professional (60 Hz)", cover, p. 130
and last page (Aug. 2011).

Extract from catalog of Alfred Kaercher GmbH & Co. KG, "Pro-
gramme 2012 Kaercher Professional", cover, p. 162 and last page
(Nov. 2011).

(Continued)

Primary Examiner — Ruth McInroy

(74) *Attorney, Agent, or Firm* — Lipsitz & McAllister,
LLC

(57) **CLAIM**

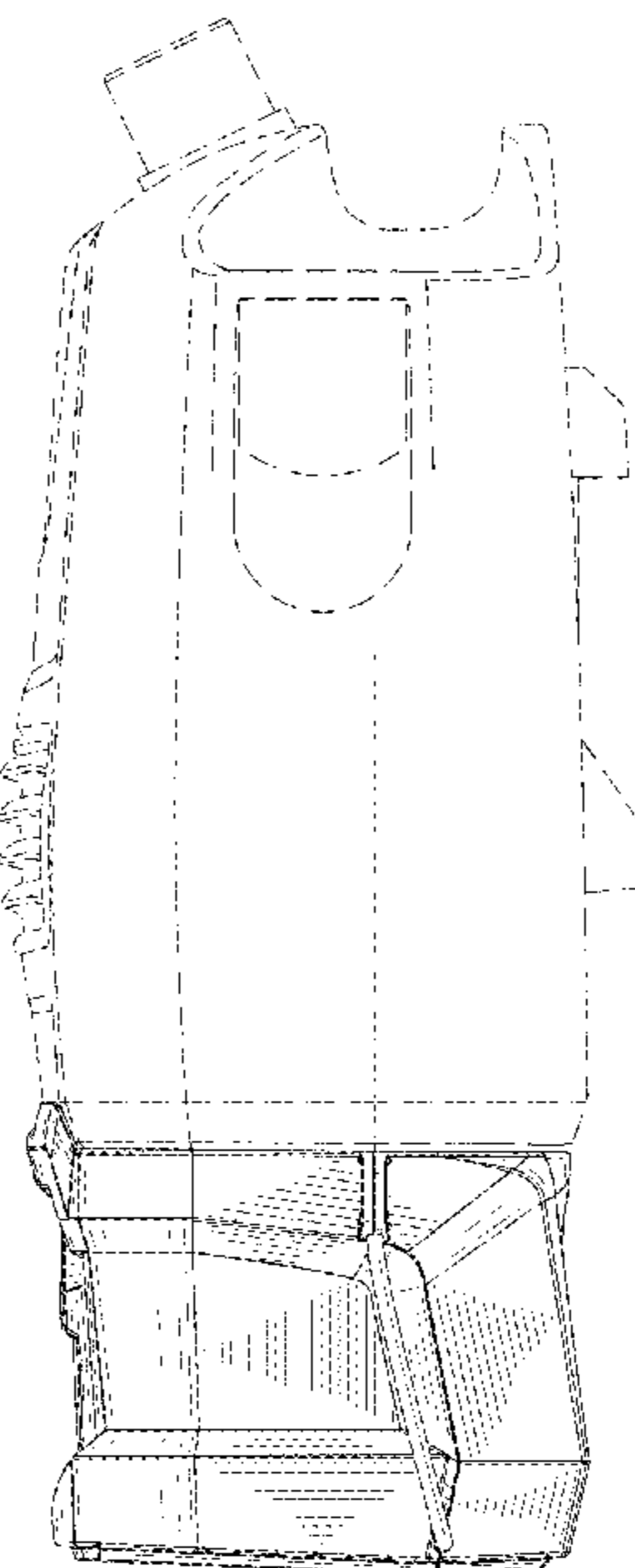
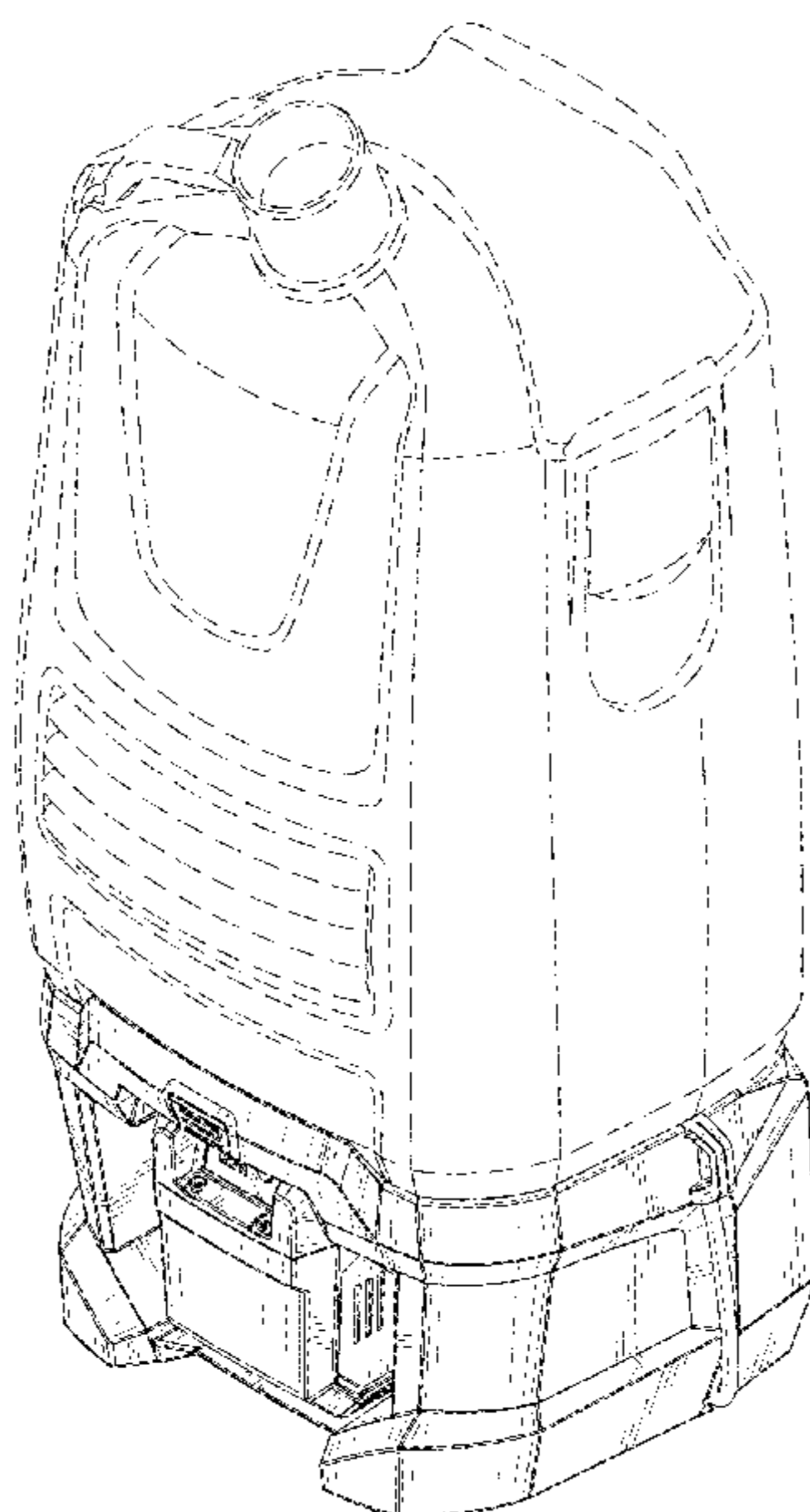
The ornamental design for a lower portion of a vacuum
cleaner, as shown and described.

DESCRIPTION

FIG. 1 is a front, top and left side perspective view of a lower
portion of a vacuum cleaner showing the new design;
FIG. 2 is a front, top and right side perspective view thereof;
FIG. 3 is a front elevational view thereof;
FIG. 4 is a left side elevational view thereof;
FIG. 5 is a rear elevational view thereof;
FIG. 6 is a right side elevational view thereof; and,
FIG. 7 is a top plan view thereof.

The broken line portions of the figures are included to show
possible environmental structure only and form no part of
the claimed design.

1 Claim, 7 Drawing Sheets



(56)

References Cited

OTHER PUBLICATIONS

Extract from catalog of Alfred Kaercher GmbH & Co. KG, "Programme 2013/2014 Kaercher Professional (60 Hz)", cover, p. 135 and last page (Aug. 2013).

Extract from catalog of Alfred Kaercher GmbH & Co. KG, "Programme 2013 Kaercher Professional", cover, p. 279 and last page (Nov. 2012).

Extract from catalog of Alfred Kaercher GmbH & Co. KG, "Programme 2014/2015 Kaercher Professional (60 Hz)", cover, p. 189 and last page (May 2014).

Extract from catalog of Alfred Kaercher GmbH & Co. KG, "Programme 2014 Kaercher Professional", cover, p. 207 and last page (Oct. 2013).

Extract from catalog of Alfred Kaercher GmbH & Co. KG, "Programme 2015 Professional", cover, p. 309 and last page (Nov. 2014).

* cited by examiner

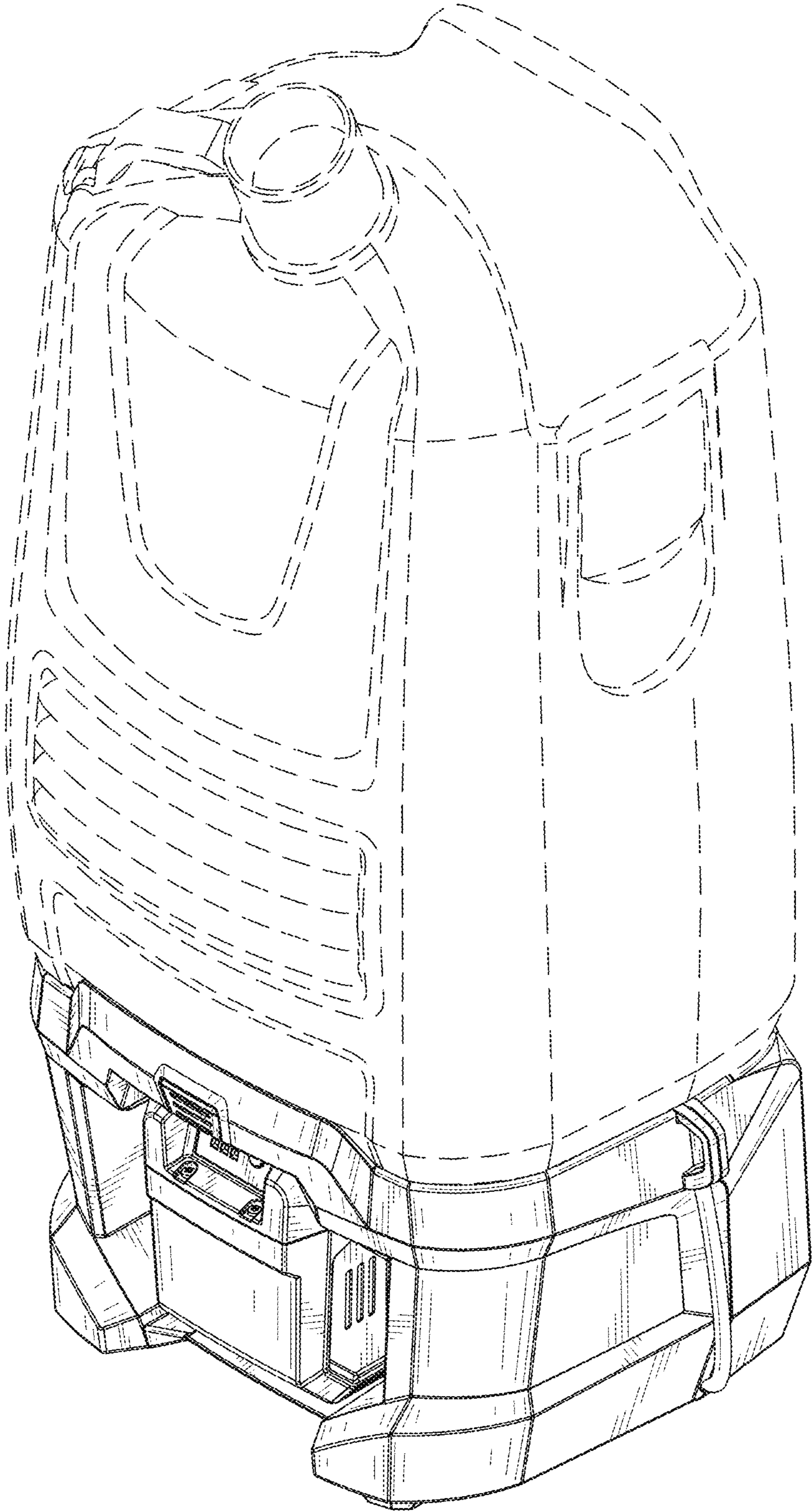


FIG. 1

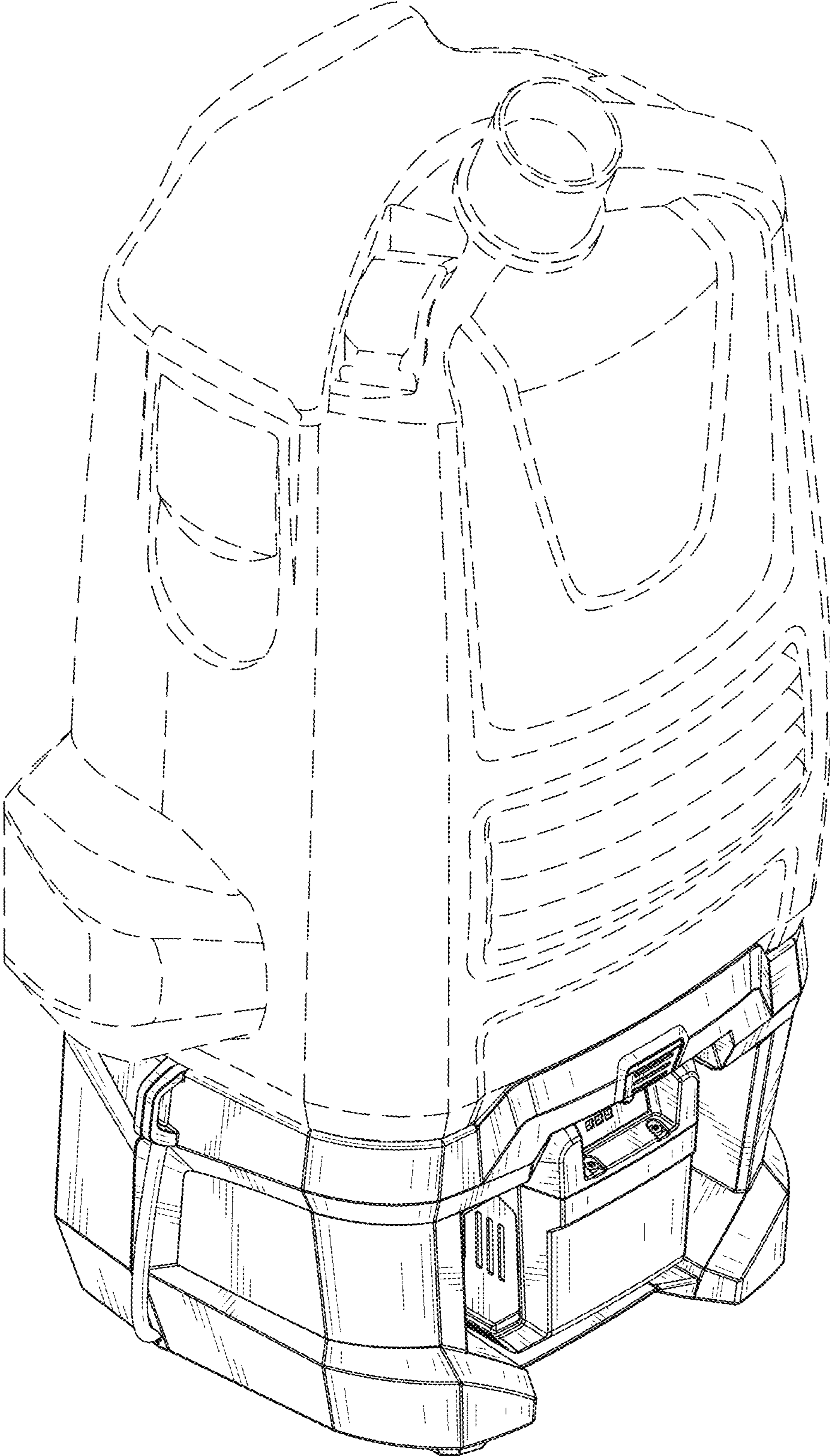


FIG. 2

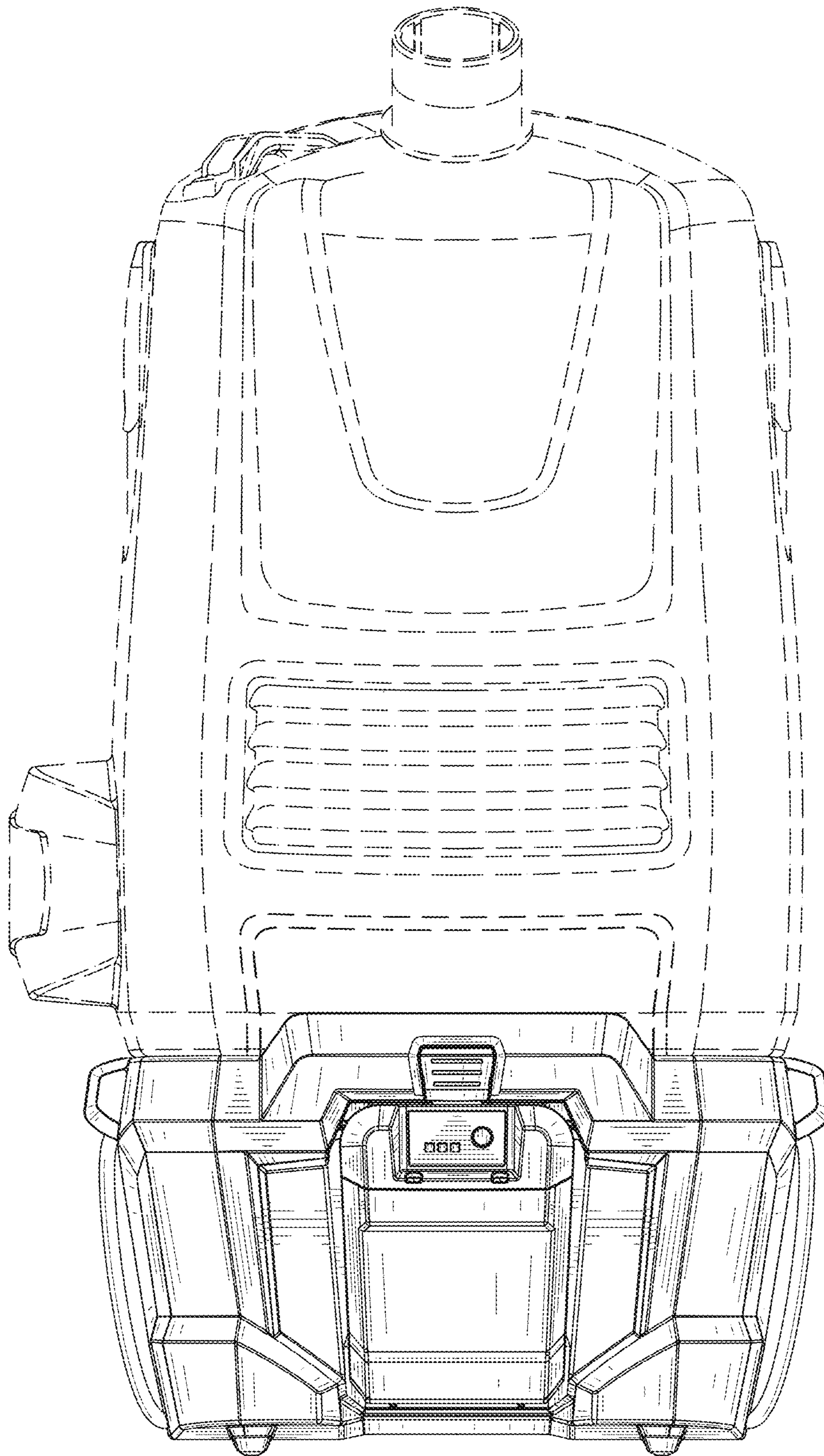


FIG. 3

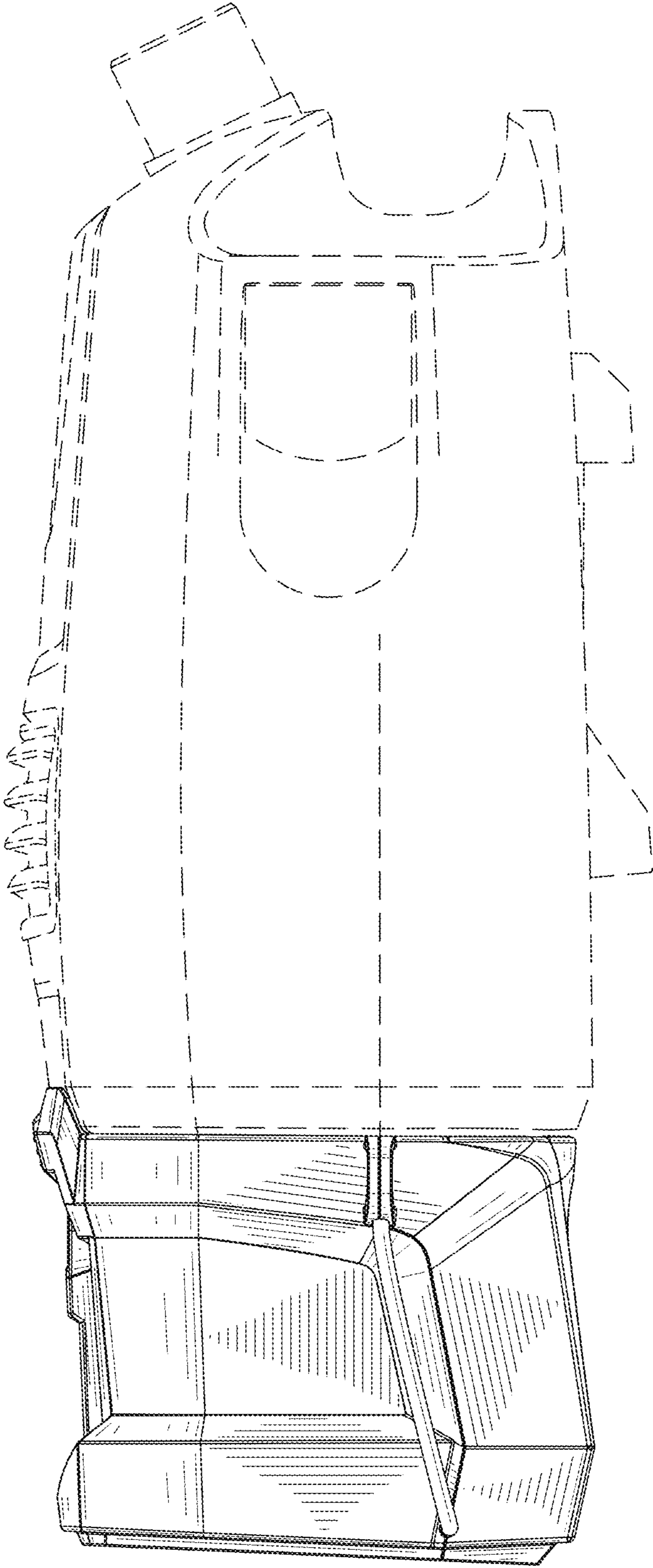


FIG. 4

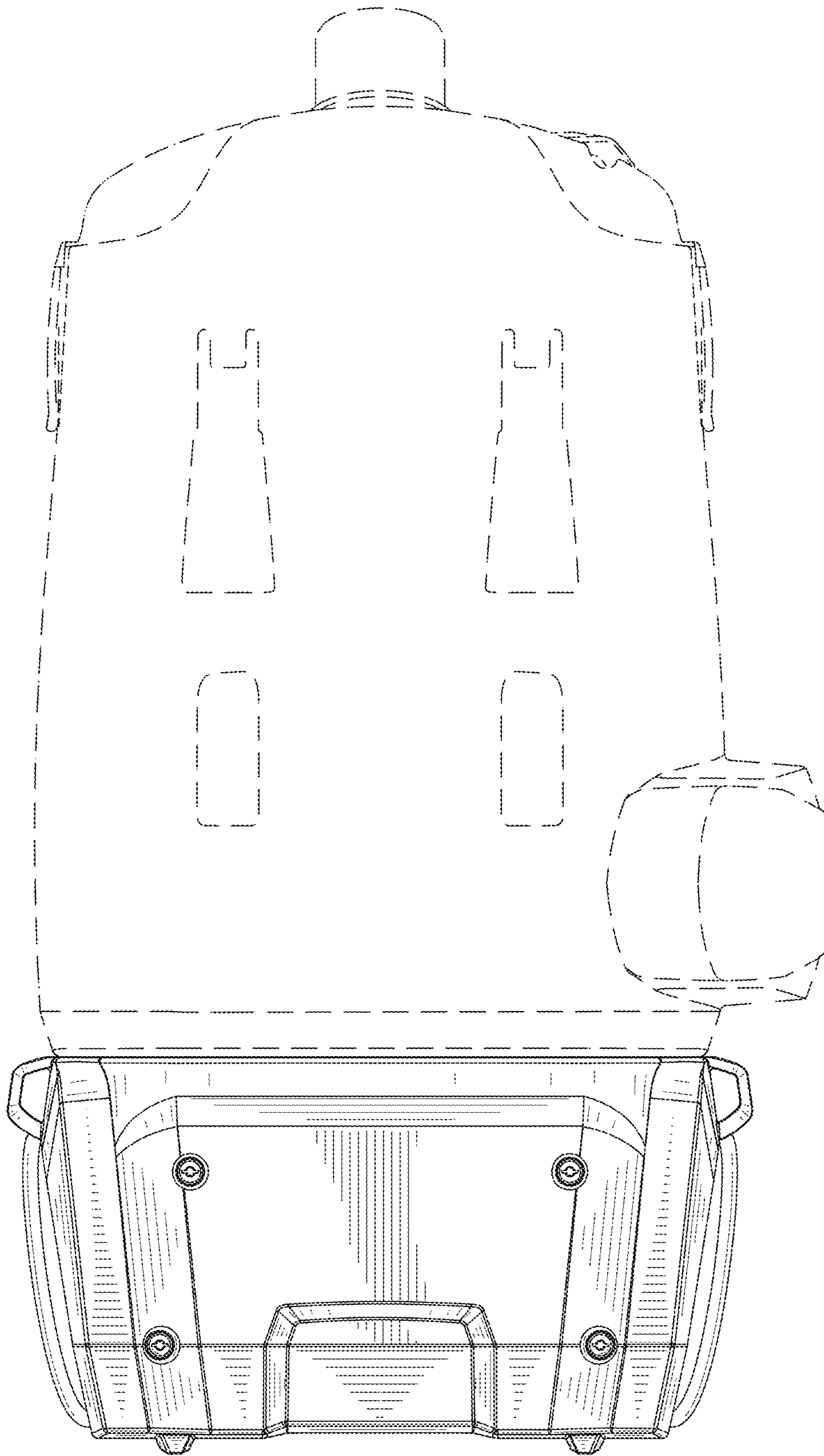


FIG. 5

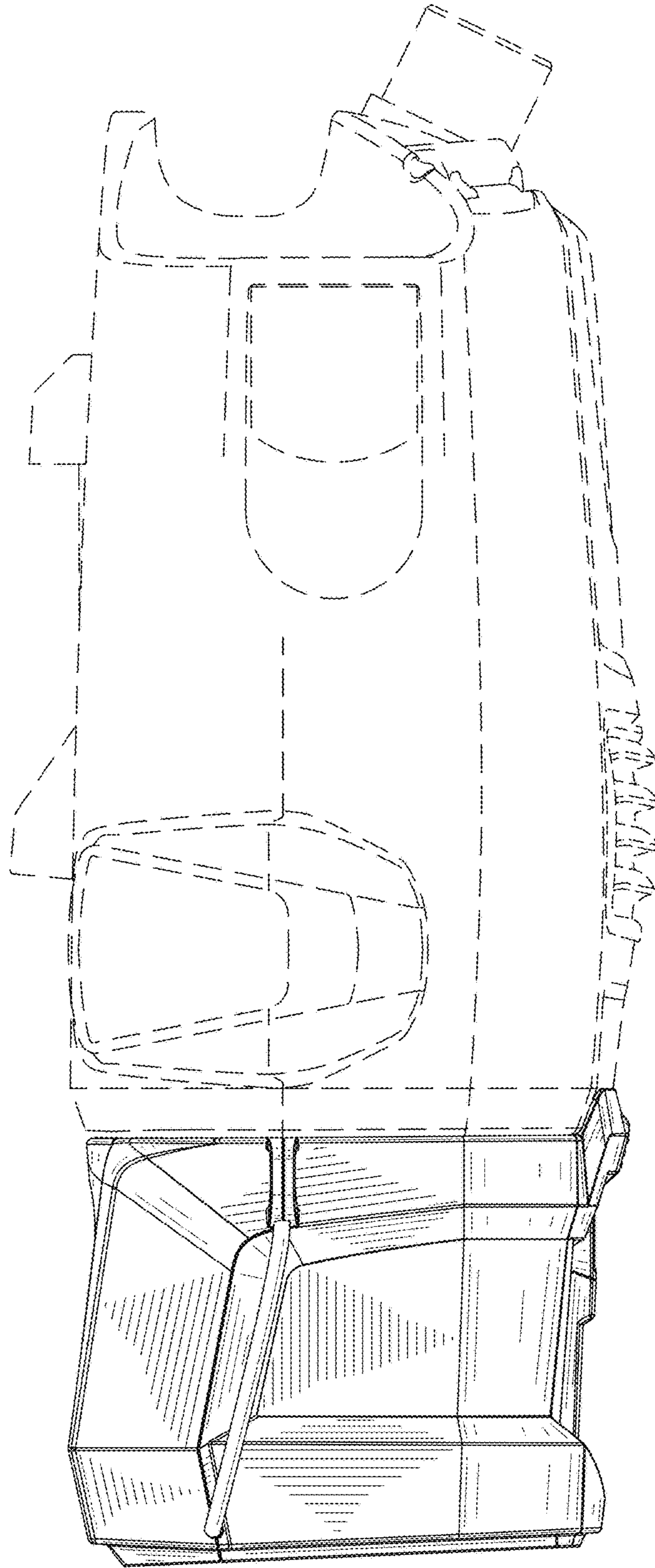


FIG. 6

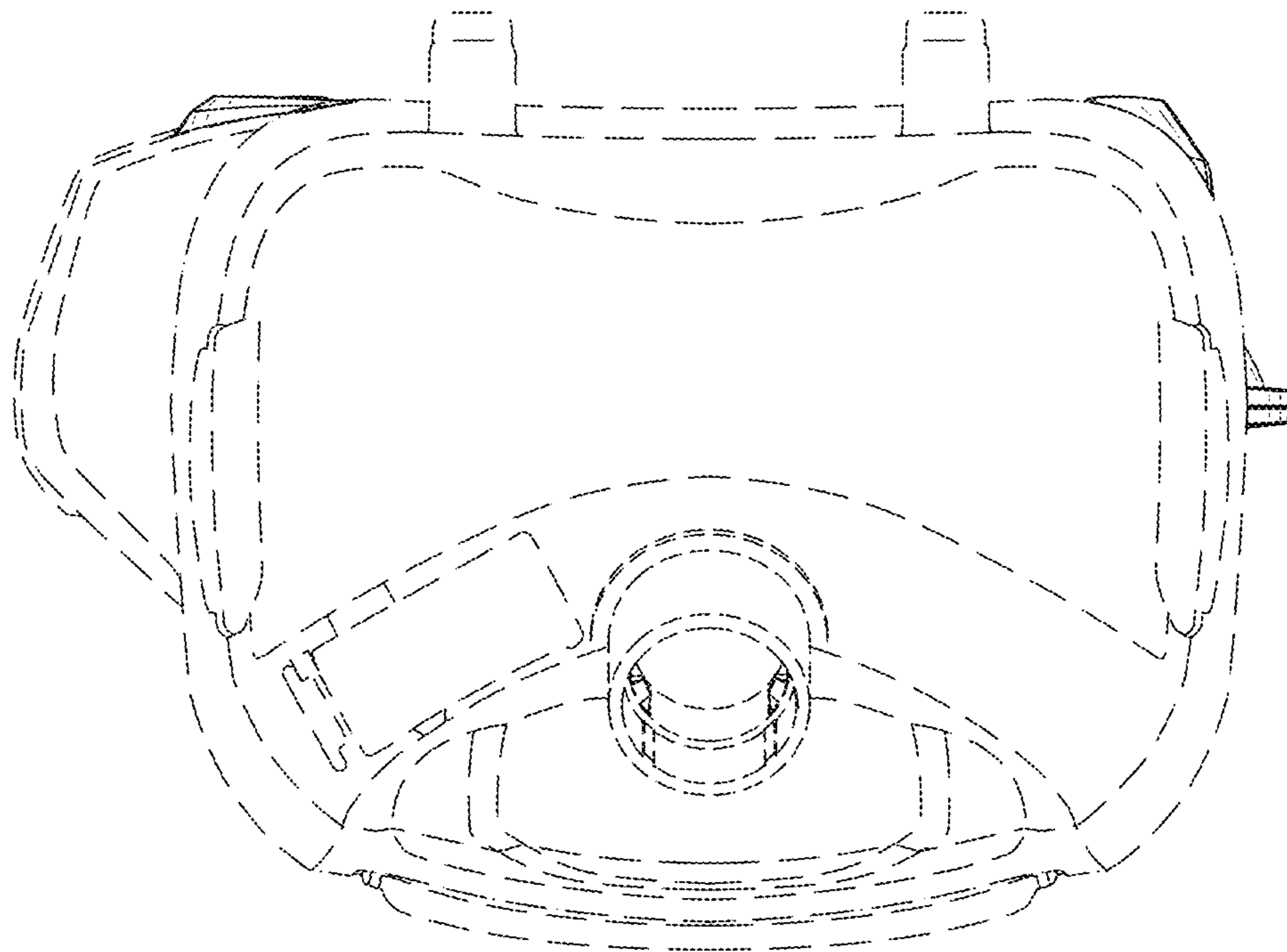


FIG. 7