

US00D809723S

(12) **United States Design Patent**
Pierzynski et al.

(10) **Patent No.:** **US D809,723 S**

(45) **Date of Patent:** **** Feb. 6, 2018**

(54) **AIR NOZZLE**

(71) Applicant: **MGA Entertainment, Inc.**, Van Nuys, CA (US)

(72) Inventors: **Andy Pierzynski**, Cuyahoga Falls, OH (US); **Jeffrey Paris**, Los Angeles, CA (US)

(73) Assignee: **MGA ENTERTAINMENT, INC.**, Van Nuys, CA (US)

(**) Term: **15 Years**

(21) Appl. No.: **29/573,121**

(22) Filed: **Aug. 2, 2016**

(51) **LOC (11) Cl.** **15-05**

(52) **U.S. Cl.**
USPC **D32/25**

(58) **Field of Classification Search**
USPC D32/14, 15, 16, 28, 17, 18, 21, 25;
D15/12; D23/321, 344, 315, 345, 412,
D23/414, 300.1, 346, 415.1
CPC ... A47L 5/14; A47L 9/32; A01G 1/125; F04B
17/00; F04B 35/04
See application file for complete search history.

(56) **References Cited**

U.S. PATENT DOCUMENTS

2,068,496	A *	1/1937	Linghammar	A47L 9/02 15/415.1
3,618,157	A *	11/1971	Bassin	E01H 1/0809 15/330
4,223,419	A *	9/1980	Sato	A47L 5/14 15/327.5
4,391,017	A *	7/1983	Bruensicke	A47L 7/0014 138/89
D279,319	S *	6/1985	McCloskey	D32/15
D297,274	S *	8/1988	Komiya	D32/15
4,955,106	A *	9/1990	Stein	A47L 5/32 15/323

D319,714	S *	9/1991	Gierke	D32/15
5,083,340	A *	1/1992	Takahashi	A47L 9/02 15/405
5,251,281	A *	10/1993	Fravel, Jr.	F24H 3/0423 126/271.1
D359,603	S *	6/1995	Rakocy	D32/15

(Continued)

OTHER PUBLICATIONS

Shop-Vac 9633400 6.5-Peak HP Ultra Pro Series 12-Gallon Wet or Dry Vacuum with Detachable Blower, retrieved from Internet at Amazon.com on Jun. 15, 2016.

(Continued)

Primary Examiner — Michael A. Pratt

Assistant Examiner — Michelle E Wilson

(74) *Attorney, Agent, or Firm* — Intellectual Property Law Offices of Joel Voelzke, APC

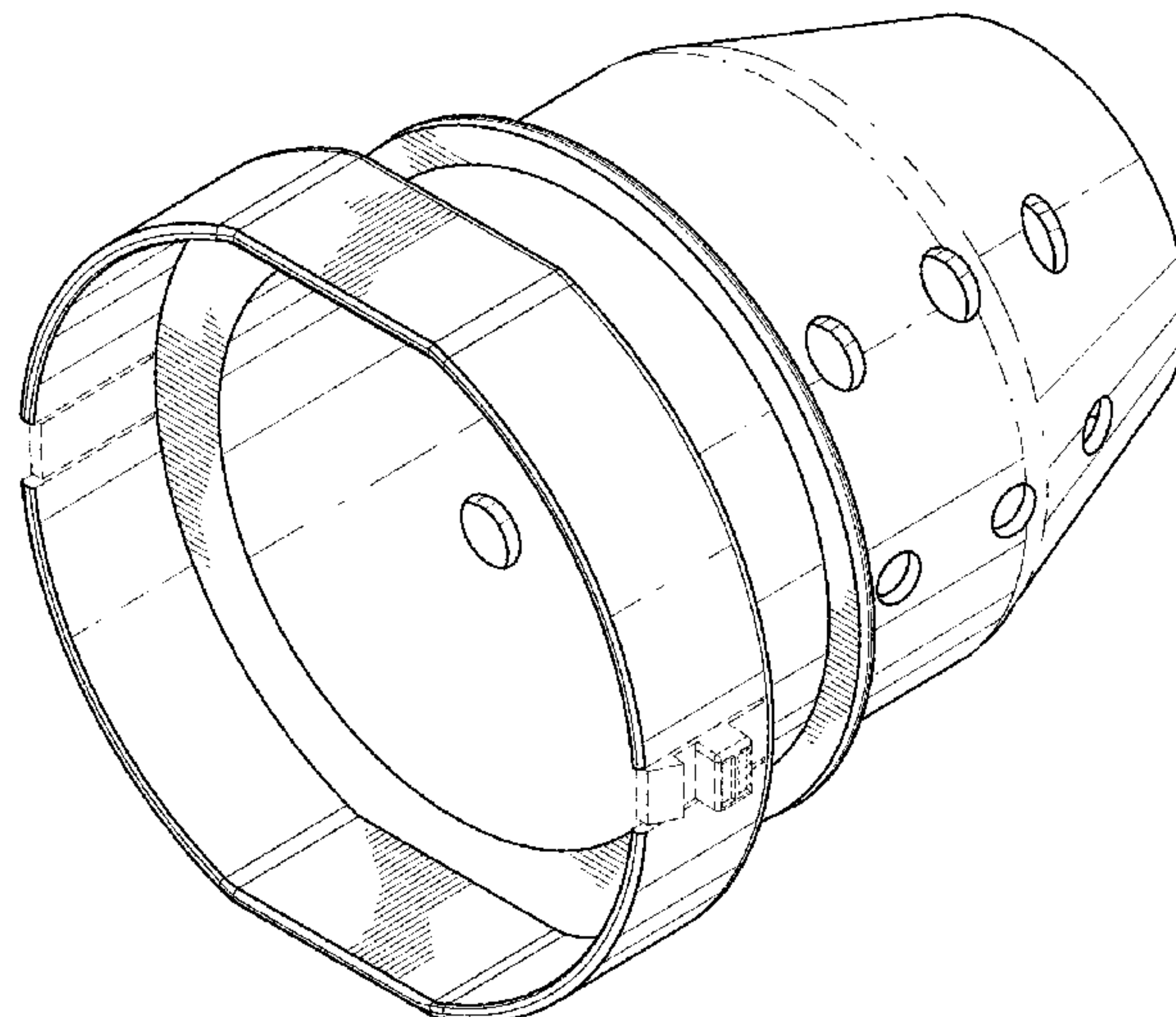
(57) **CLAIM**

The ornamental design for an air nozzle, as shown and described.

DESCRIPTION

FIG. 1 is an oblique view of an air nozzle showing our new design;
FIG. 2 is a side elevation view thereof showing the back side;
FIG. 3 is side elevation view thereof, showing the front side;
FIG. 4 is a side elevation view thereof, showing the right side;
FIG. 5 is side elevation view thereof, showing the left side;
FIG. 6 is a top plan view thereof; and,
FIG. 7 is a bottom plan view thereof.
The broken lines showing the engagement mechanisms for engaging the air nozzle to an air blower and forms no part of the claimed design.

1 Claim, 4 Drawing Sheets



(56)

References Cited

U.S. PATENT DOCUMENTS

D360,503 S * 7/1995 Lynch D15/11
 D405,570 S * 2/1999 Broecking D32/32
 5,991,973 A * 11/1999 Simpson A47L 9/0673
 15/344
 D461,604 S * 8/2002 Martin D32/15
 6,442,790 B1 * 9/2002 Svoboda A01G 1/125
 15/319
 D468,874 S * 1/2003 Nawrozki D32/15
 D469,931 S * 2/2003 Nawrozki D32/15
 D556,395 S * 11/2007 Martin D32/15
 7,735,188 B2 * 6/2010 Shaffer E01H 1/0809
 15/339
 D637,776 S * 5/2011 Tinius D32/25
 D658,832 S * 5/2012 Eden D32/32
 D666,373 S * 8/2012 Eden D32/32
 D681,894 S * 5/2013 Wu D32/31
 D741,917 S * 10/2015 Tinius D15/15
 D747,050 S * 1/2016 Martin D32/15
 D762,932 S * 8/2016 Ventress D32/32

D782,731 S * 3/2017 Smith D28/13
 D782,732 S * 3/2017 Smith D28/13
 D782,733 S * 3/2017 Smith D28/13
 D782,734 S * 3/2017 Sutter D28/18
 D785,240 S * 4/2017 Smith D28/13
 2013/0247327 A1 * 9/2013 Domingo A47L 9/08
 15/324
 2014/0007370 A1 * 1/2014 Thackery A01G 1/125
 15/327.5
 2016/0309661 A1 * 10/2016 Eakins, Jr. A01G 1/125

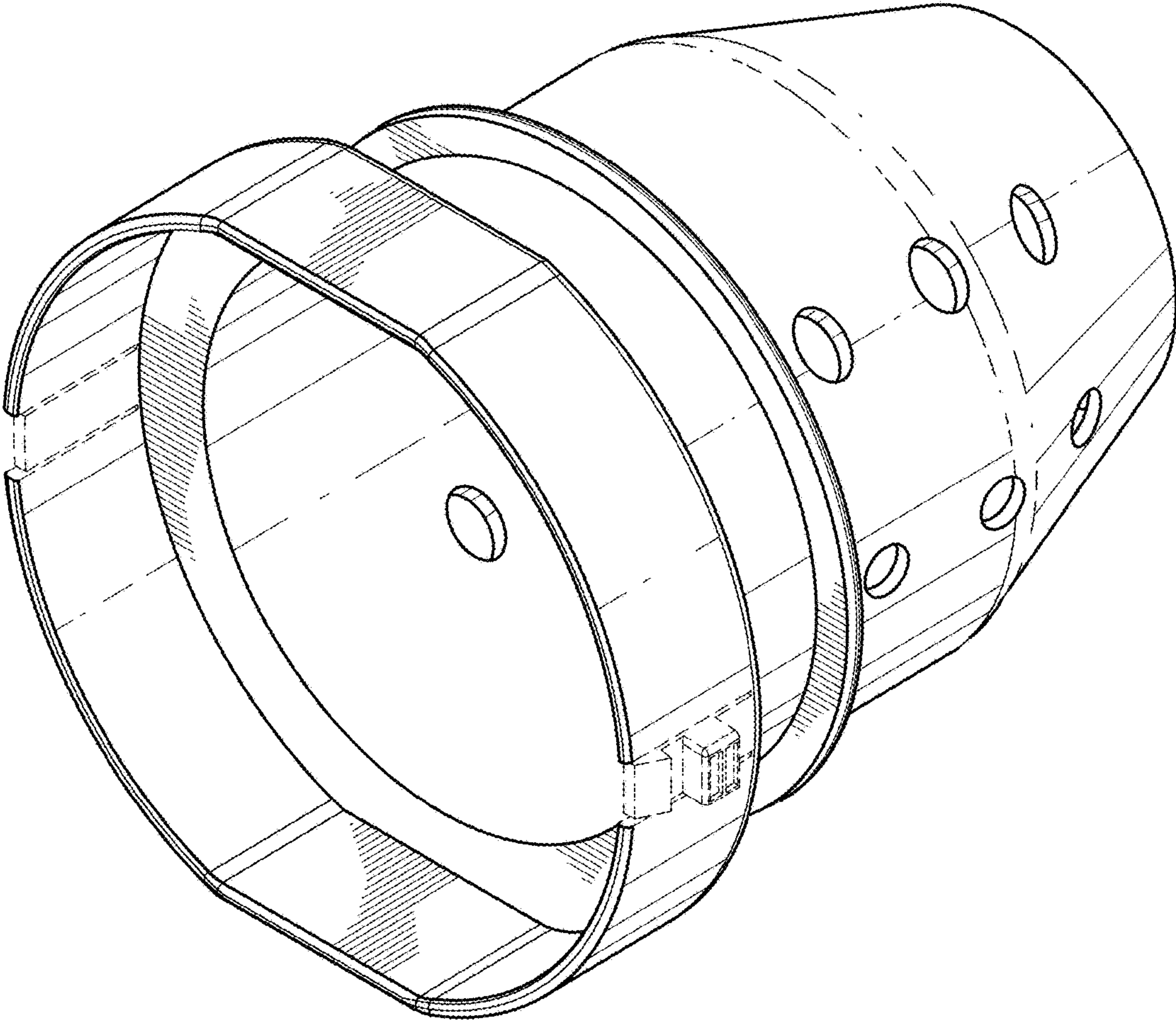
OTHER PUBLICATIONS

Workshop Wet Dry Vacuum Accessories WS17823A Wet Dry Vacuum Hose for Wet Dry Shop Vacuums, retrieved from Interent at Amazon.com on Jun. 16, 2016.

Workshop Wet Dry Vacuum Adapter WS25055A Wet Dry Shop Vacuum Adapter Combo Kit, retrieved from Internet at Amazon.com on Jun. 15, 2016.

* cited by examiner

FIG. 1



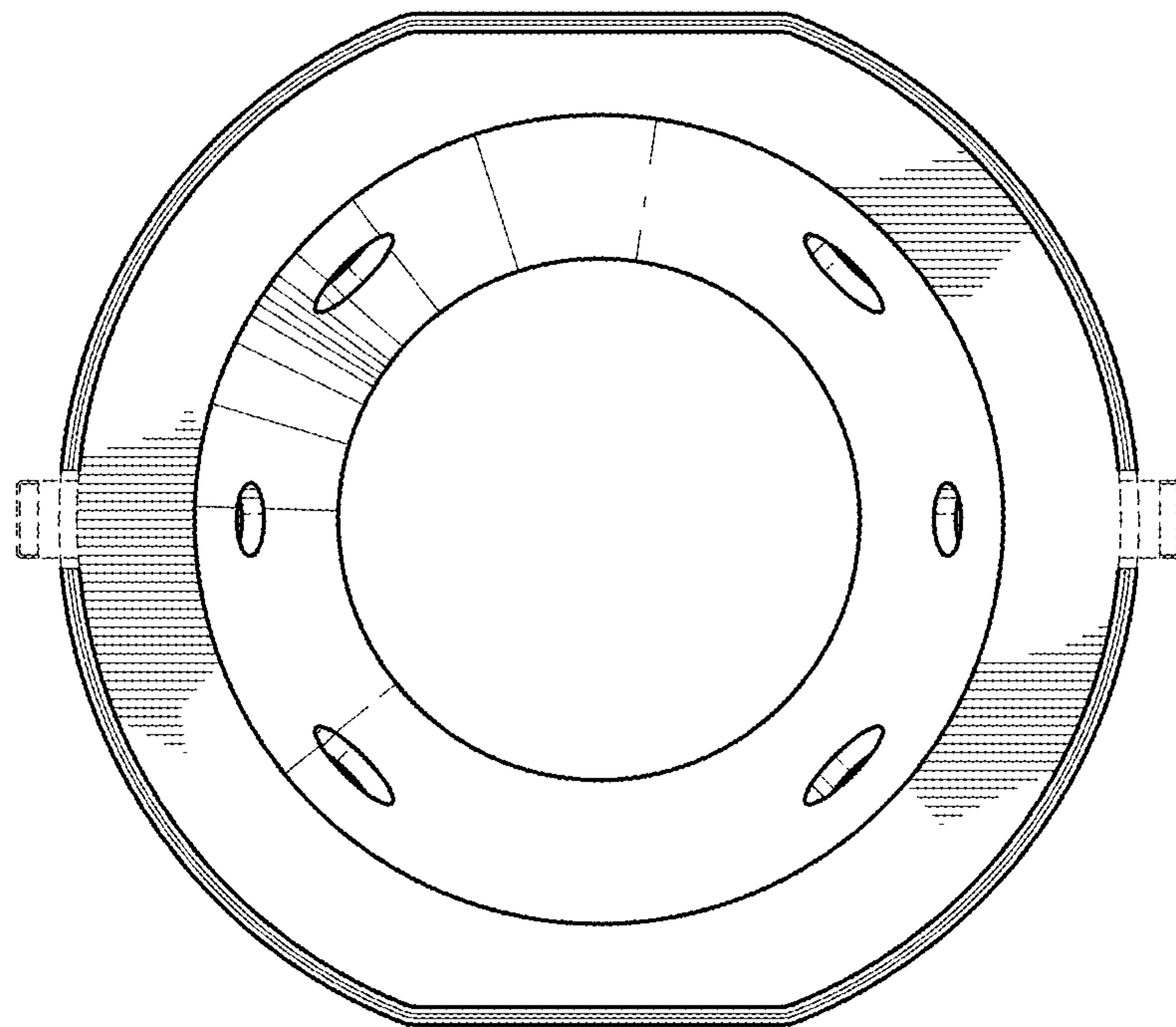


FIG. 2

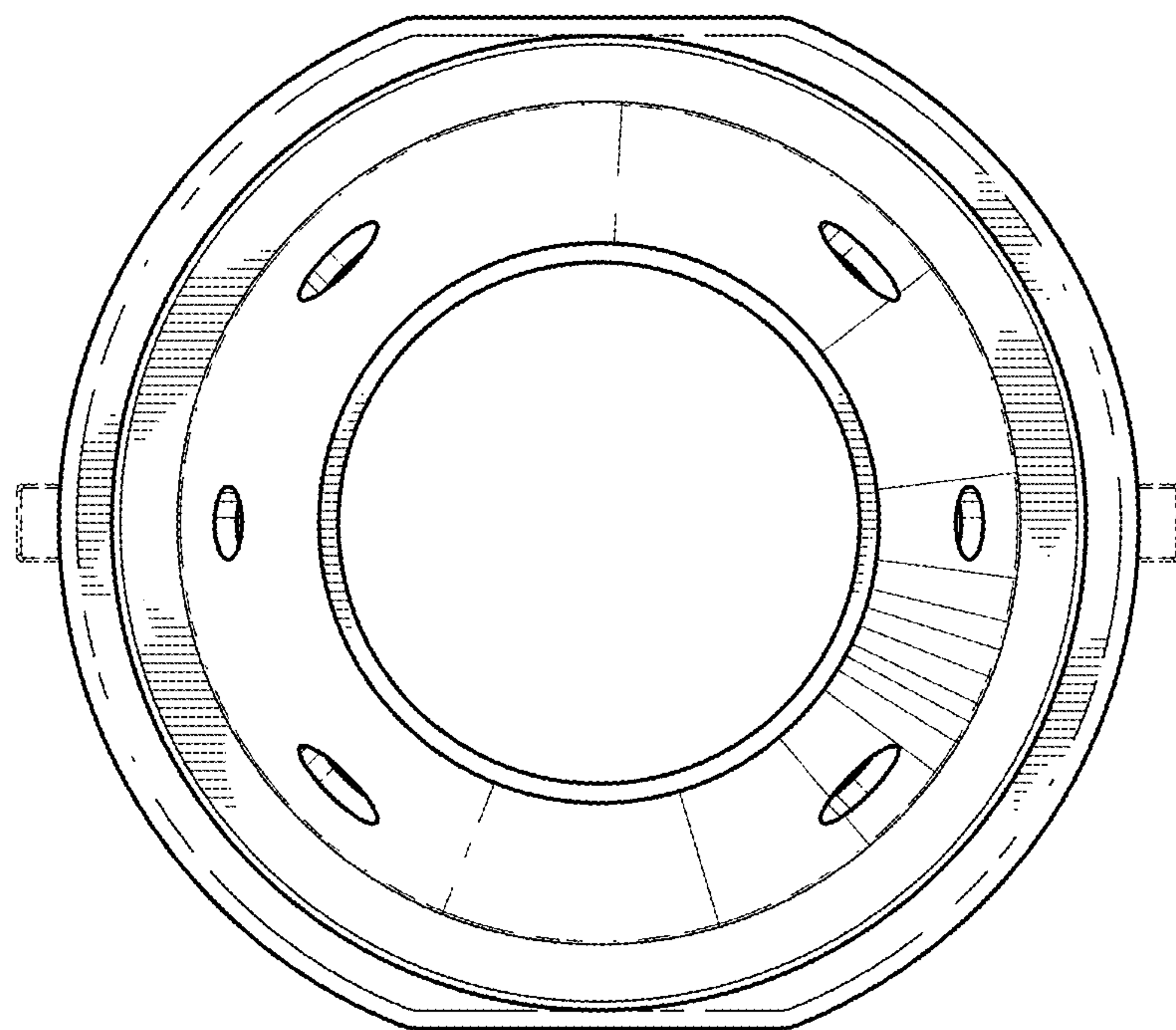


FIG. 3

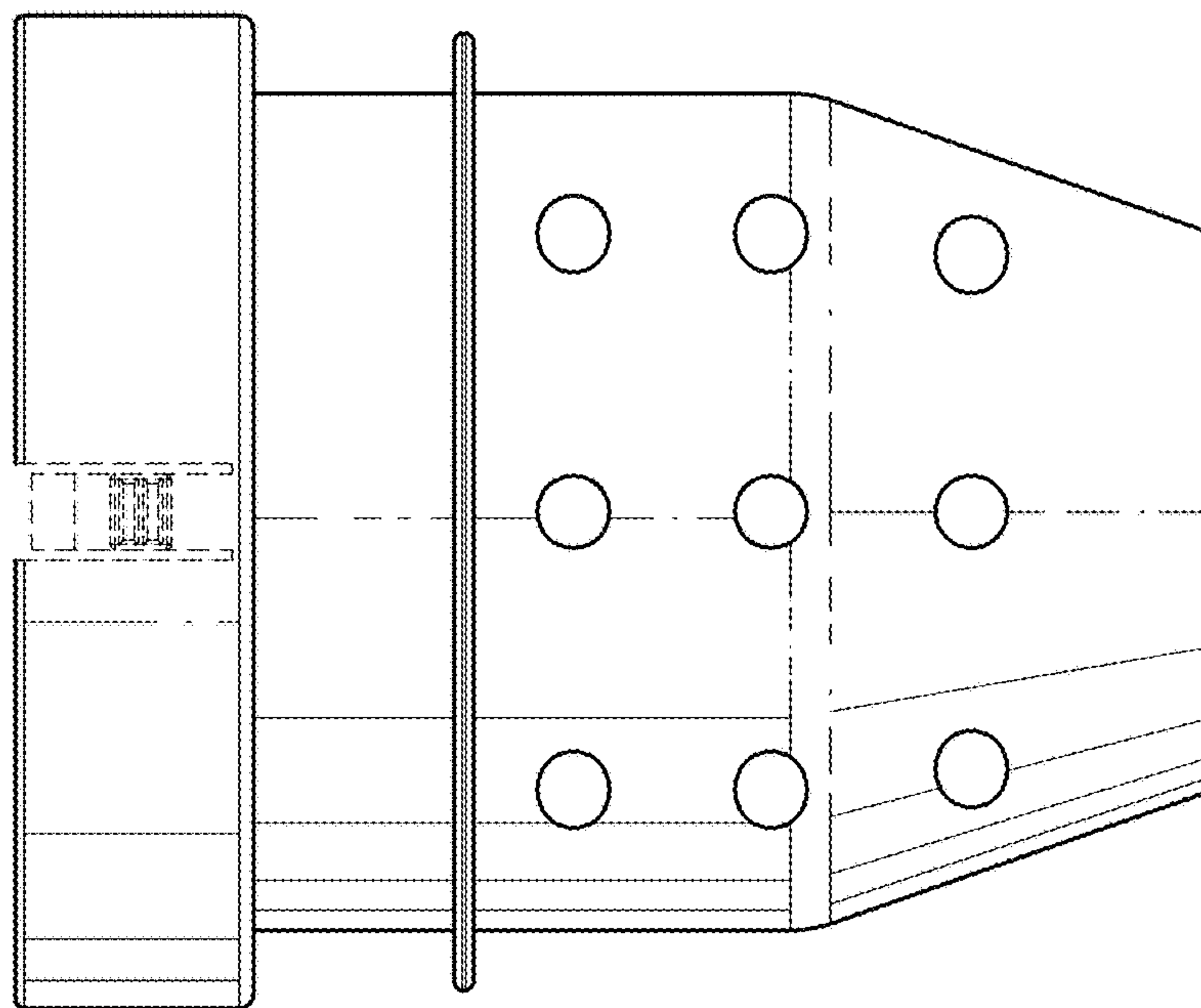


FIG. 4

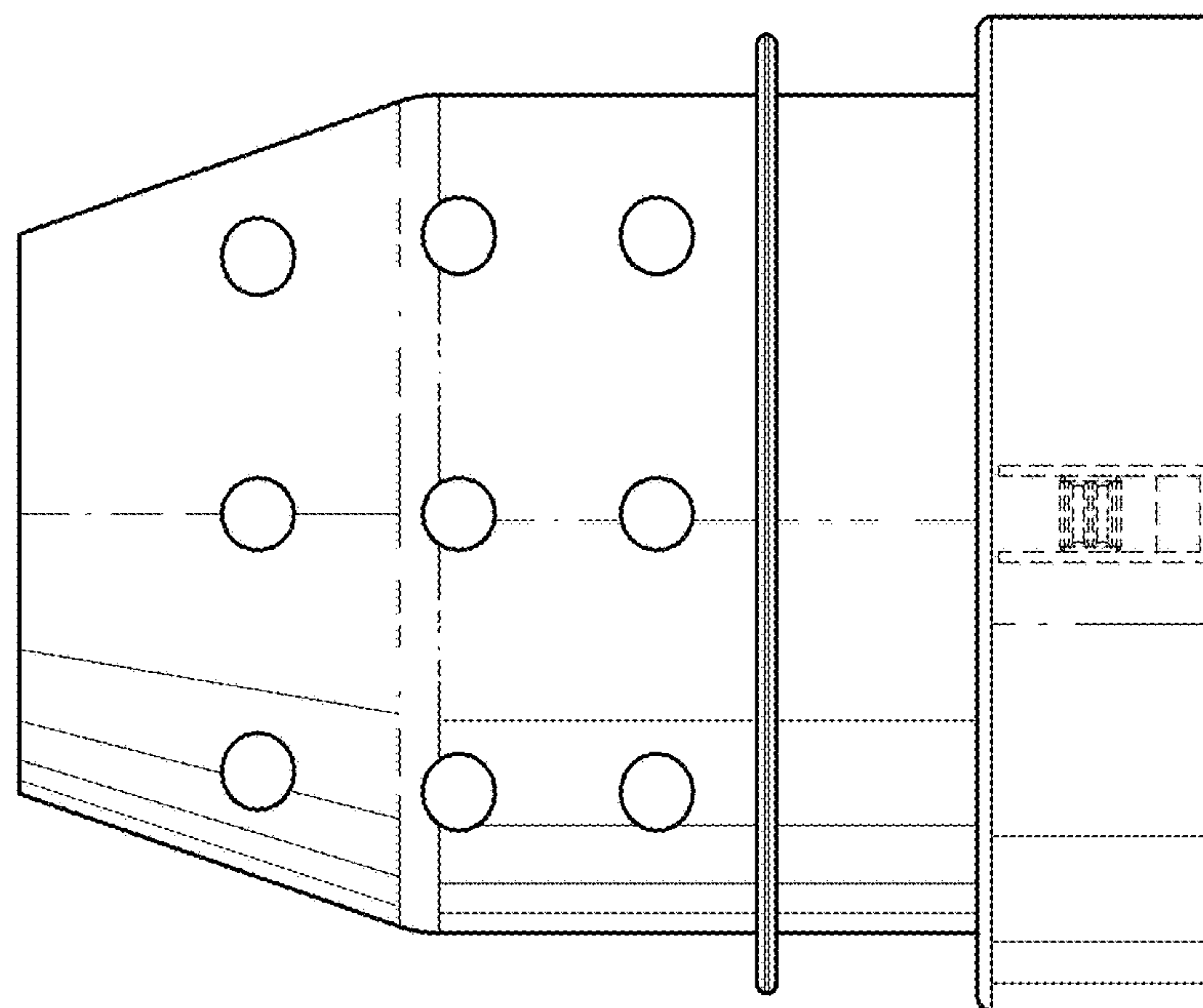


FIG. 5

FIG. 6

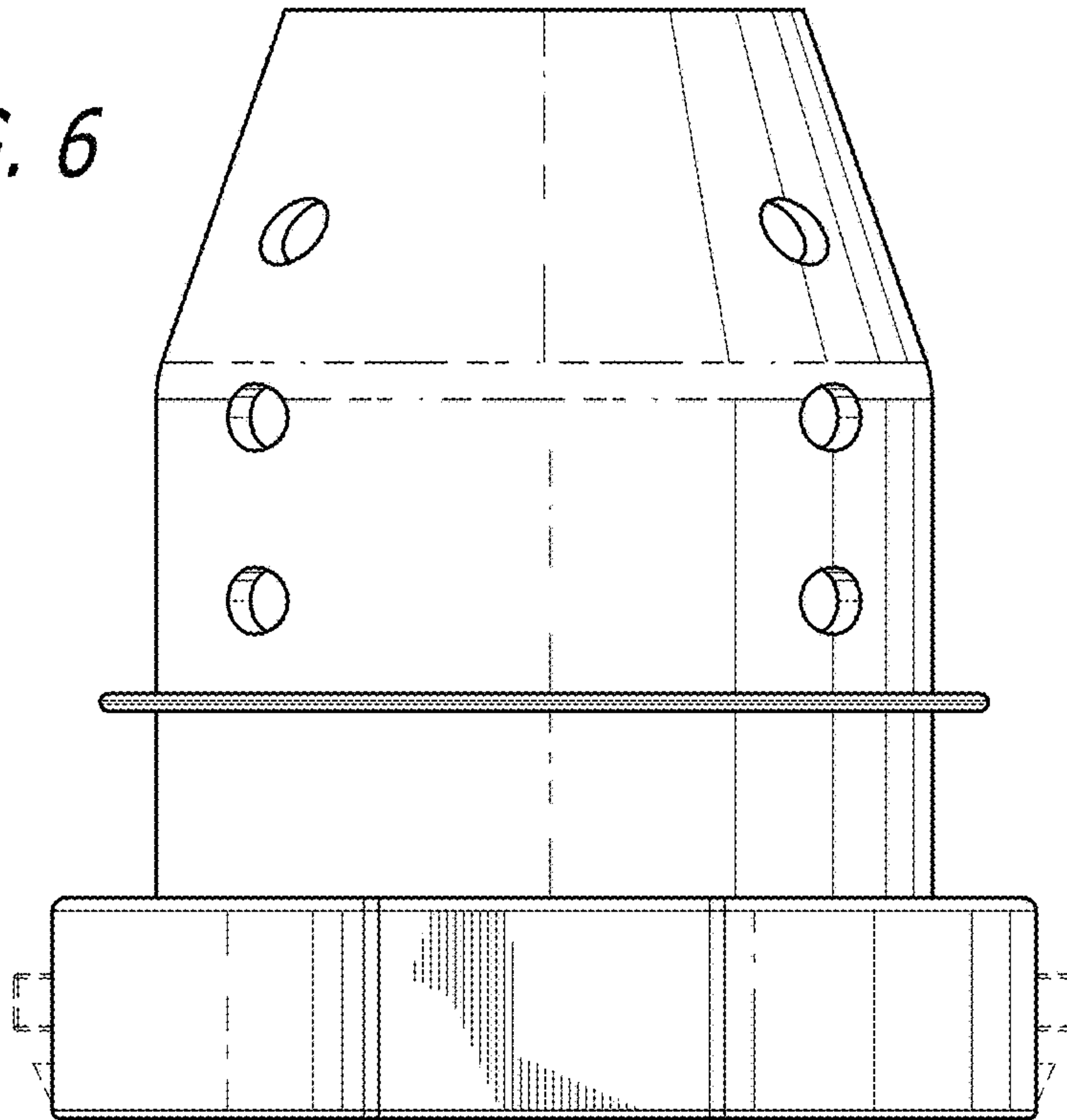


FIG. 7

