



US00D809722S

(12) **United States Design Patent** (10) **Patent No.:** **US D809,722 S**  
**Luo et al.** (45) **Date of Patent:** **\*\* \*Feb. 6, 2018**

(54) **VACUUM CLEANER**

(56) **References Cited**

(71) Applicant: **Samsung Electronics Co., Ltd.**,  
Suwon-si, Gyeonggi-do (KR)  
(72) Inventors: **Haibo Luo**, Shanghai (CN); **Masato Suzuki**, Saitama (JP); **Keiichi Minamide**, Tokyo (JP); **Hirohisa Miyazaki**, Tokyo (JP); **Chen Cui**, Shanghai (CN); **Lijun Qi**, Shanghai (CN); **Mitsuhiro Shigeri**, Yokohama (JP); **Jing Xie**, Shanghai (CN); **Chen Jun**, Shanghai (CN)

U.S. PATENT DOCUMENTS

D527,502	S	*	8/2006	Yoshimoto	.....	D32/18
D543,667	S	*	5/2007	Yoshimoto	.....	D32/18
D550,410	S	*	9/2007	Khalil	.....	D32/18
D575,013	S	*	8/2008	Gee, II	.....	D32/18
D594,607	S	*	6/2009	Farone	.....	D32/18
2009/0038108	A1	*	2/2009	Shaanan	.....	A47L 5/14 15/344
2011/0192286	A1	*	8/2011	Lee	.....	A47L 5/24 96/417
2014/0366312	A1	*	12/2014	Christensen	.....	A47L 7/0066 15/344
2015/0307066	A1	*	10/2015	Camiller	.....	B60S 3/008 296/37.13

(73) Assignee: **SAMSUNG ELECTRONICS CO., LTD.**, Gyeonggi-Do (KR)

(\*) Notice: This patent is subject to a terminal disclaimer.

(\*\*) Term: **15 Years**

(21) Appl. No.: **29/547,981**

(22) Filed: **Dec. 9, 2015**

(30) **Foreign Application Priority Data**

Jun. 10, 2015 (KR) ..... 30-2015-0029149

(51) **LOC (11) Cl.** ..... **15-05**

(52) **U.S. Cl.**  
USPC ..... **D32/21**

(58) **Field of Classification Search**  
USPC ..... D32/18, 21-23, 31, 34  
CPC ..... G06N 3/008; A47L 9/2857; A47L 9/2842;  
A47L 9/2852; A47L 9/00; A47L 9/325;  
A47L 5/36-5/367; A47L 5/24; A47L  
7/0019; A47L 7/0004; A47L 11/34; A47L  
11/29; A47L 11/30; E04H 4/1654

See application file for complete search history.

\* cited by examiner

*Primary Examiner* — Ruth McInroy

(74) *Attorney, Agent, or Firm* — Cantor Colburn LLP

(57) **CLAIM**

We claim the ornamental design for a vacuum cleaner, as shown and described.

**DESCRIPTION**

FIG. 1 is a front perspective view of a vacuum cleaner showing our new design;

FIG. 2 is a front view thereof;

FIG. 3 is a rear view thereof;

FIG. 4 is a left-side view thereof;

FIG. 5 is a right-side view thereof;

FIG. 6 is a top view thereof;

FIG. 7 is a bottom view thereof; and,

FIG. 8 is a rear perspective view thereof.

The details shown in broken lines form no part of the claimed design.

**1 Claim, 7 Drawing Sheets**

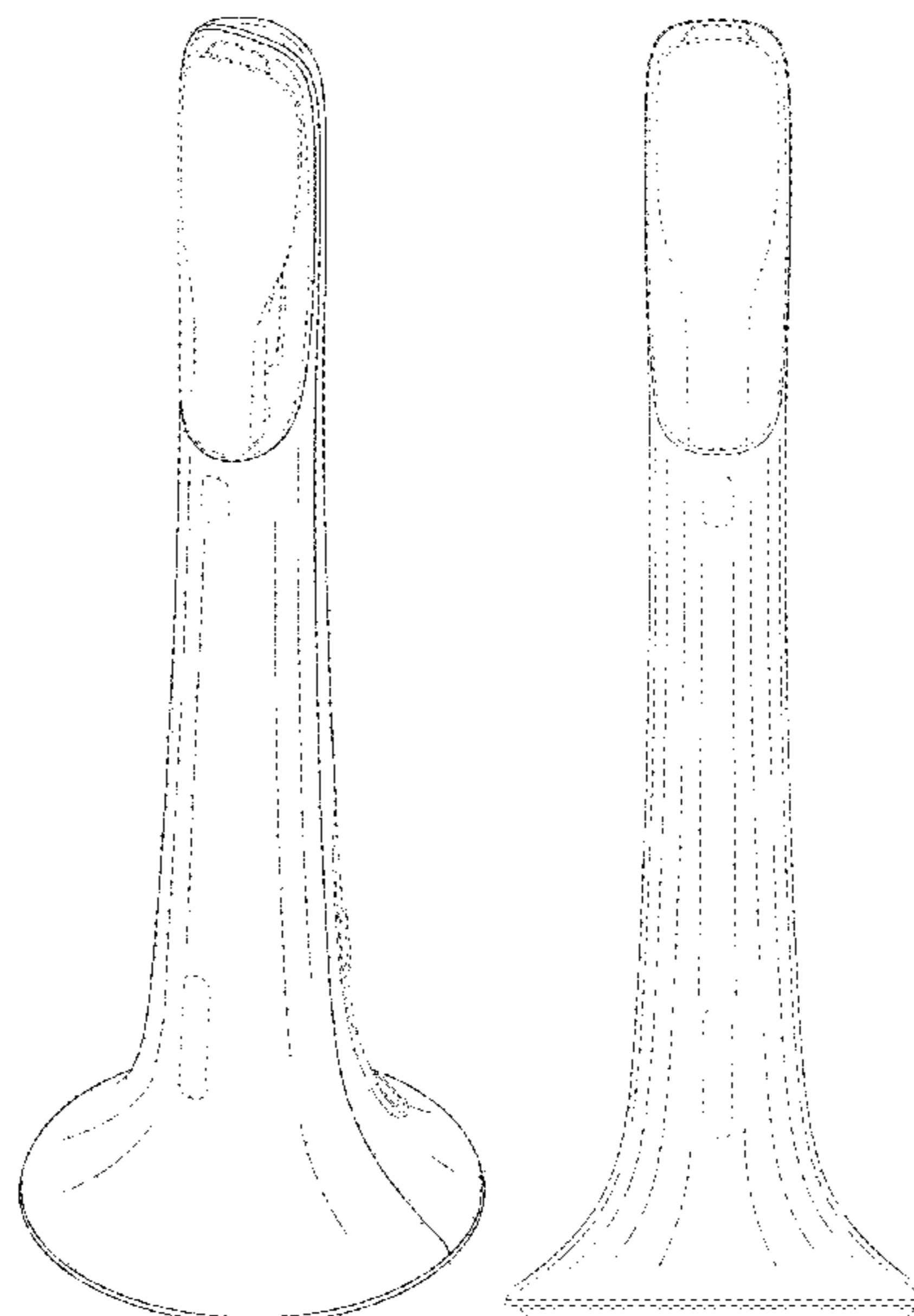


FIG. 1

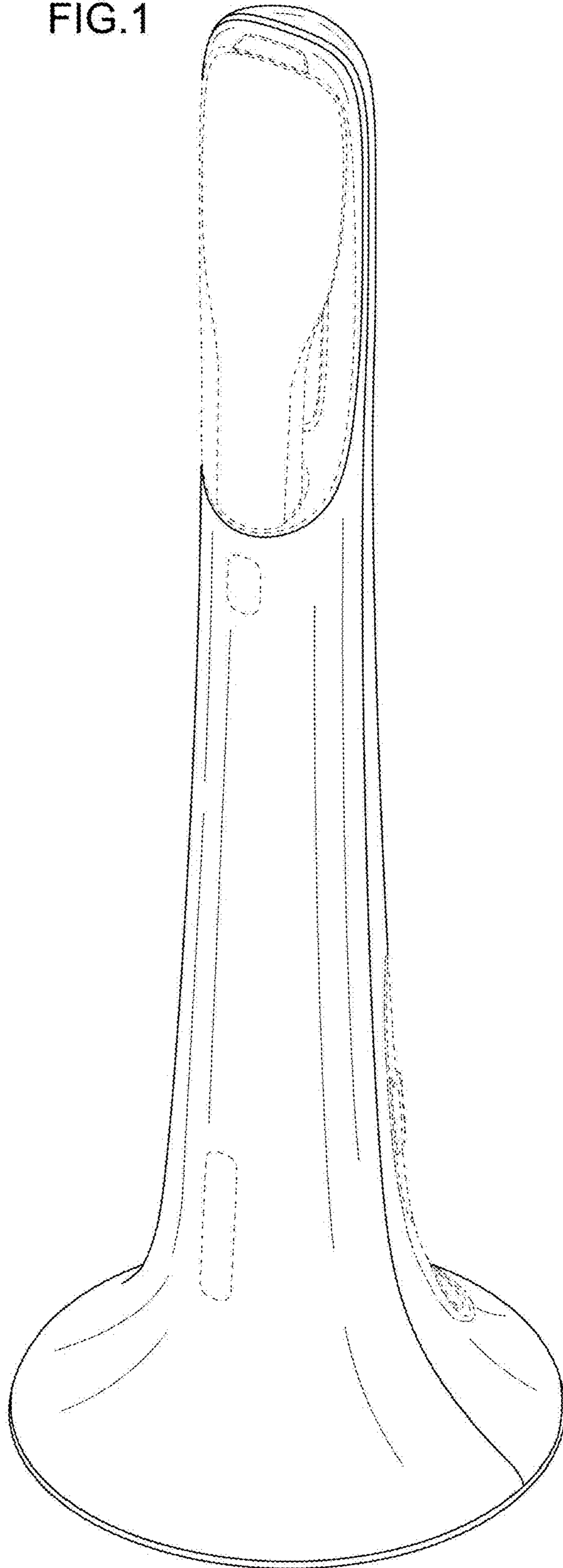


FIG.2

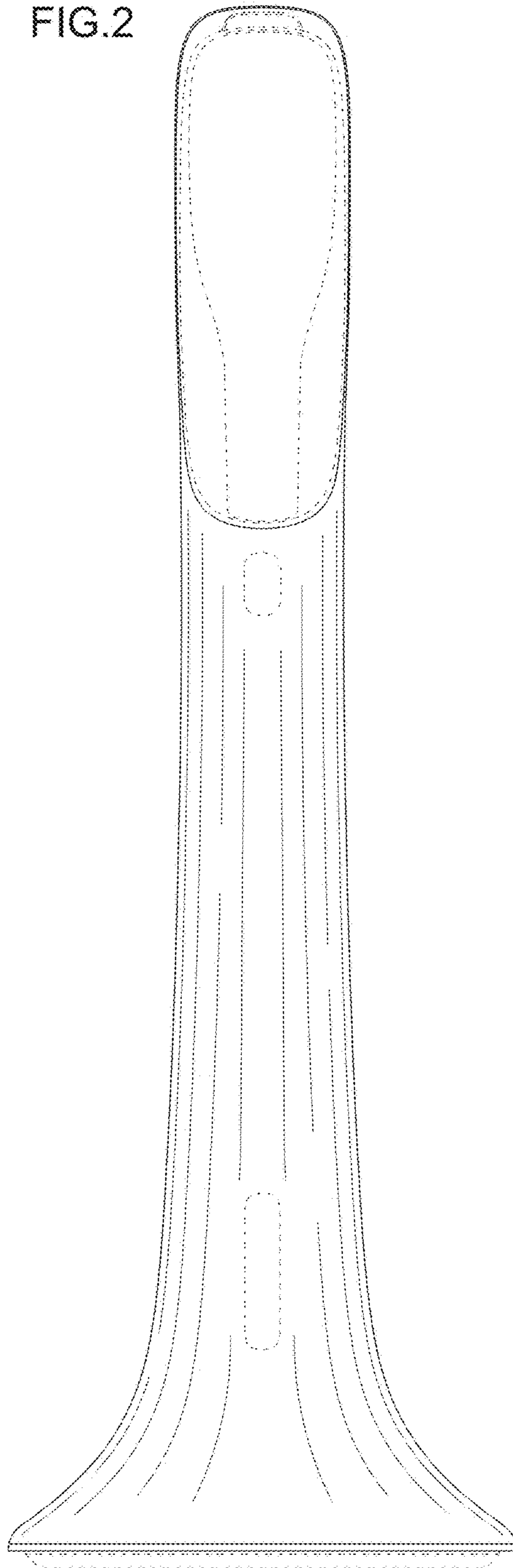


FIG.3

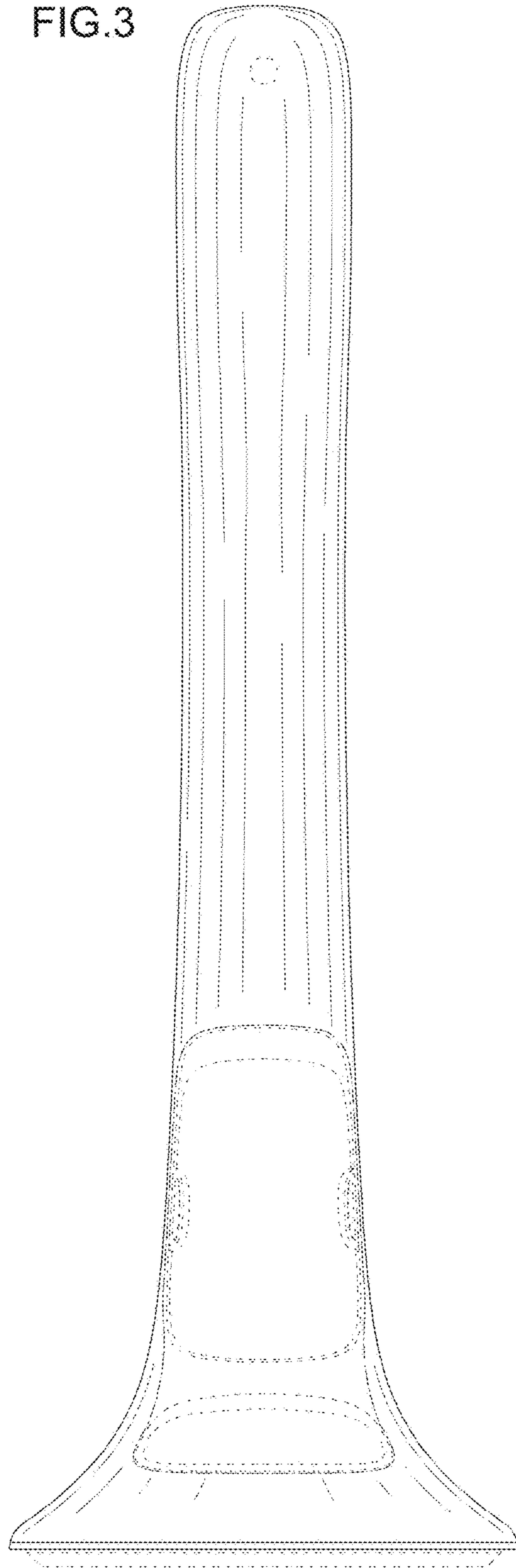


FIG.4

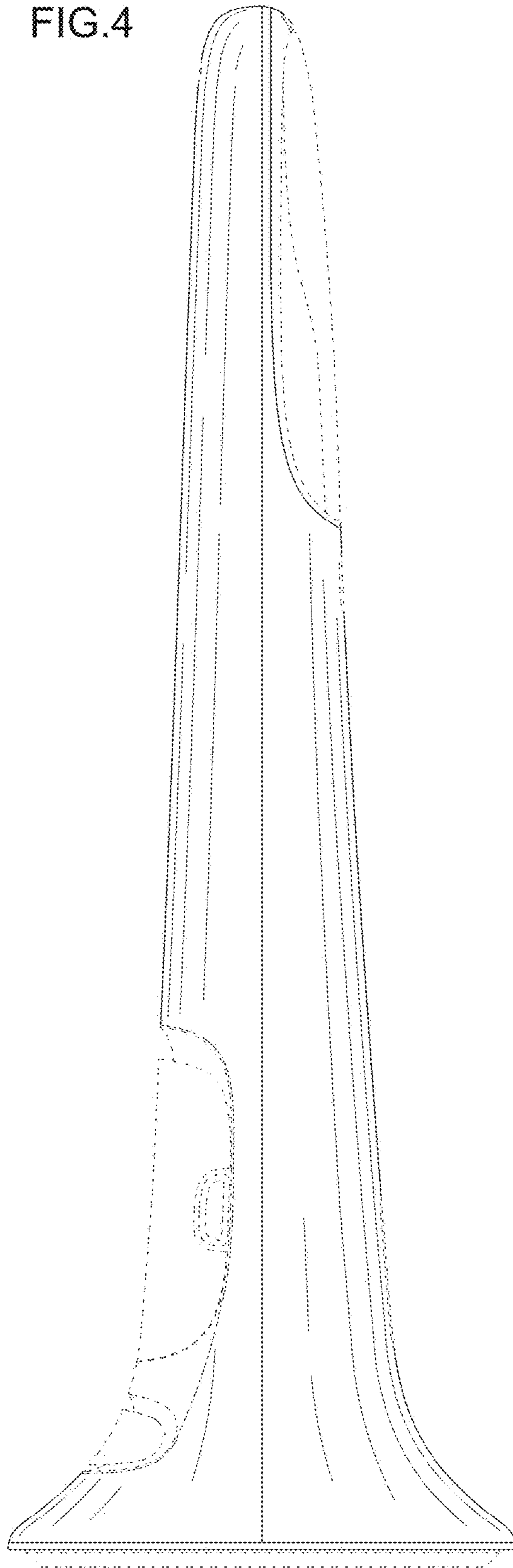


FIG. 5

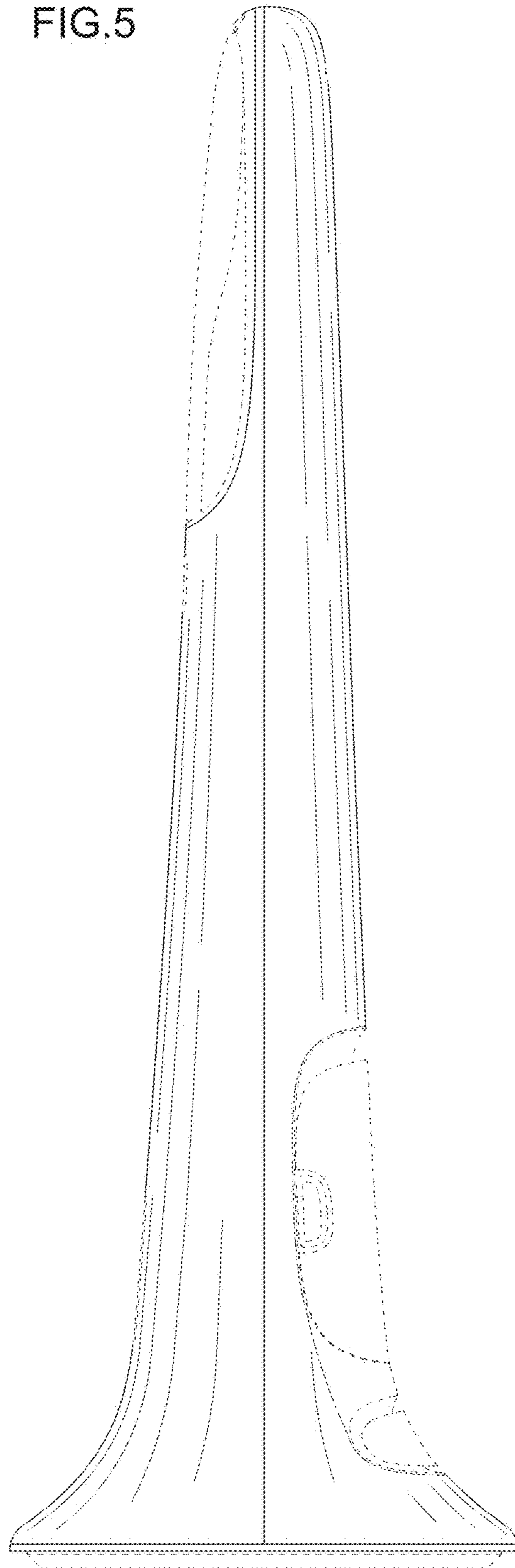


FIG.6

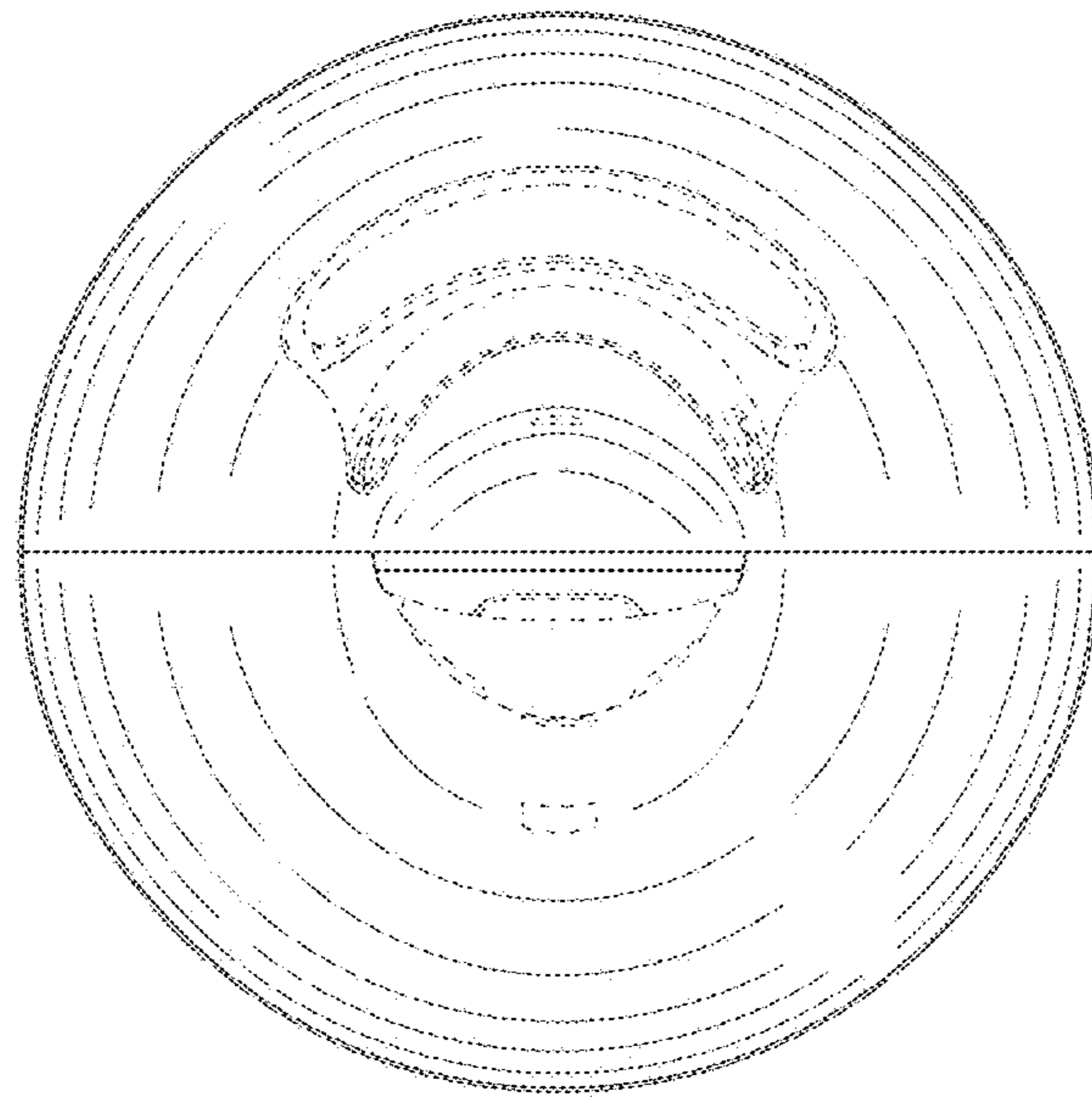


FIG.7

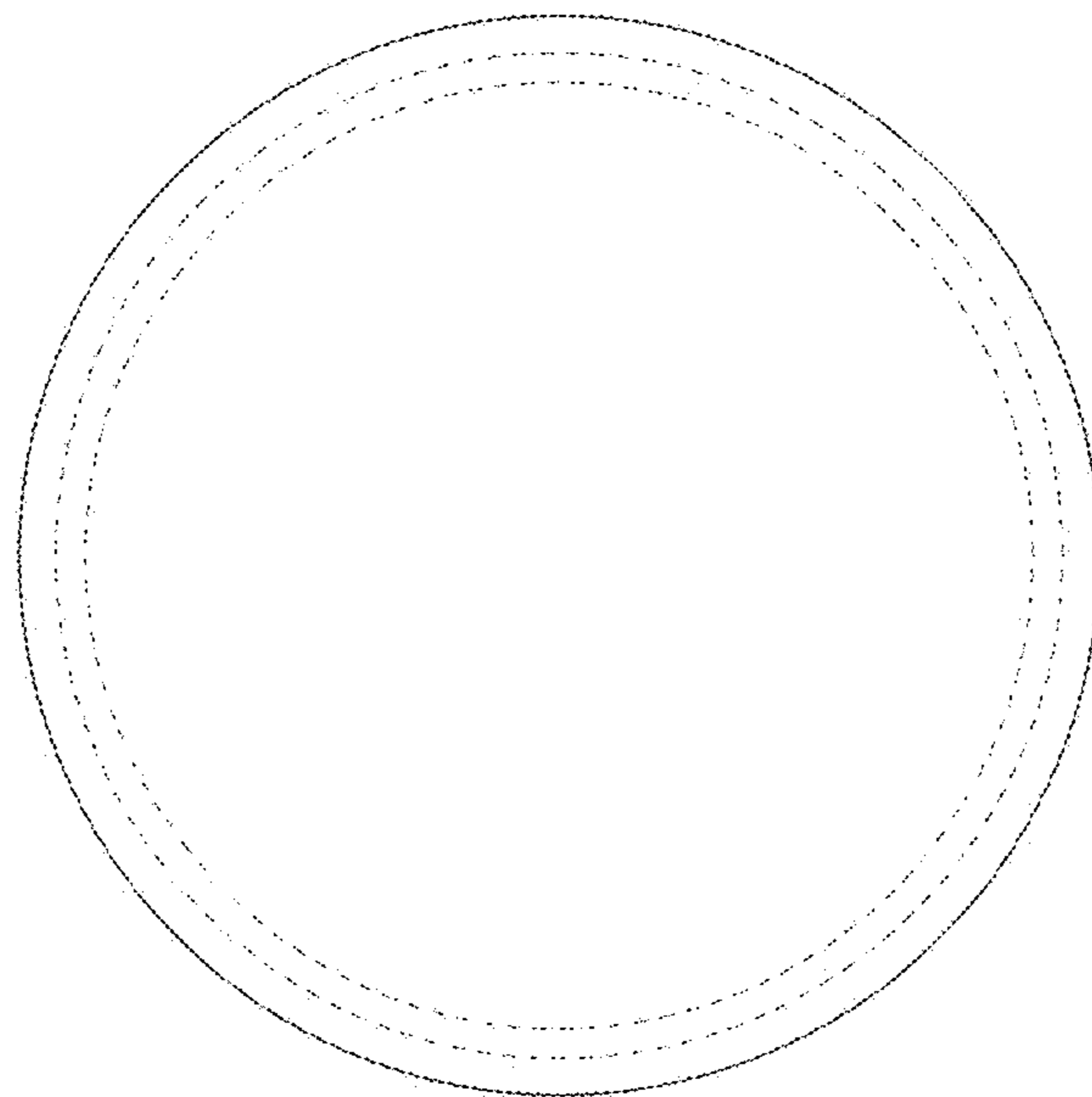


FIG.8

