



US00D809721S

(12) **United States Design Patent** (10) **Patent No.:** **US D809,721 S**
Venard et al. (45) **Date of Patent:** **** Feb. 6, 2018**

(54) **FLOOR CLEANING DEVICE**

(71) Applicant: **Kärcher North America, Inc.**,
Englewood, CO (US)

(72) Inventors: **Daniel C. Venard**, Centennial, CO
(US); **Adam Bearup**, Lakewood, CO
(US)

(73) Assignee: **Kärcher North America, Inc.**, Denver,
CO (US)

(**) Term: **14 Years**

(21) Appl. No.: **29/500,066**

(22) Filed: **Aug. 21, 2014**

Related U.S. Application Data

(63) Continuation-in-part of application No. 13/961,673,
filed on Aug. 7, 2013, now Pat. No. 9,301,661.

(51) **LOC (11) Cl.** **15-05**

(52) **U.S. Cl.**
USPC **D32/15**

(58) **Field of Classification Search**
USPC D32/1, 2, 6, 12, 15-16
CPC A47L 13/26; A47L 13/12; A47L 13/11;
A47L 13/16

See application file for complete search history.

(56) **References Cited**

U.S. PATENT DOCUMENTS

1,022,499 A	4/1912	Osterholm
1,037,027 A	8/1912	Lindberg
1,091,383 A	3/1914	Oblosser
1,243,516 A	10/1917	Harris
1,327,456 A	1/1920	Baender
1,377,721 A	5/1921	Owen et al.
1,384,999 A	7/1921	Graham
1,605,857 A	11/1926	Sherbondy

2,910,721 A	11/1959	Burrage
4,363,152 A	12/1982	Karpanty
4,369,544 A	1/1983	Parisi
4,380,844 A *	4/1983	Waldhauser A47L 11/30 15/320
4,619,010 A	10/1986	Burgoon (Continued)

FOREIGN PATENT DOCUMENTS

CA	2242793	5/1999
CA	2283539	3/2000

(Continued)

OTHER PUBLICATIONS

“3M Easy Trap Duster 5"× 125 ft,” Item #MCO55655, Jan. 16,
2013, available at https://web.archive.org/web/20130116145835/http://www.ibuyofficesupply.com/easy-trap-duster-5-x-125-ft_MCO55655, 2 pages.

(Continued)

Primary Examiner — Michael A. Pratt

Assistant Examiner — Michelle E Wilson

(74) *Attorney, Agent, or Firm* — Sheridan Ross PC

(57) **CLAIM**

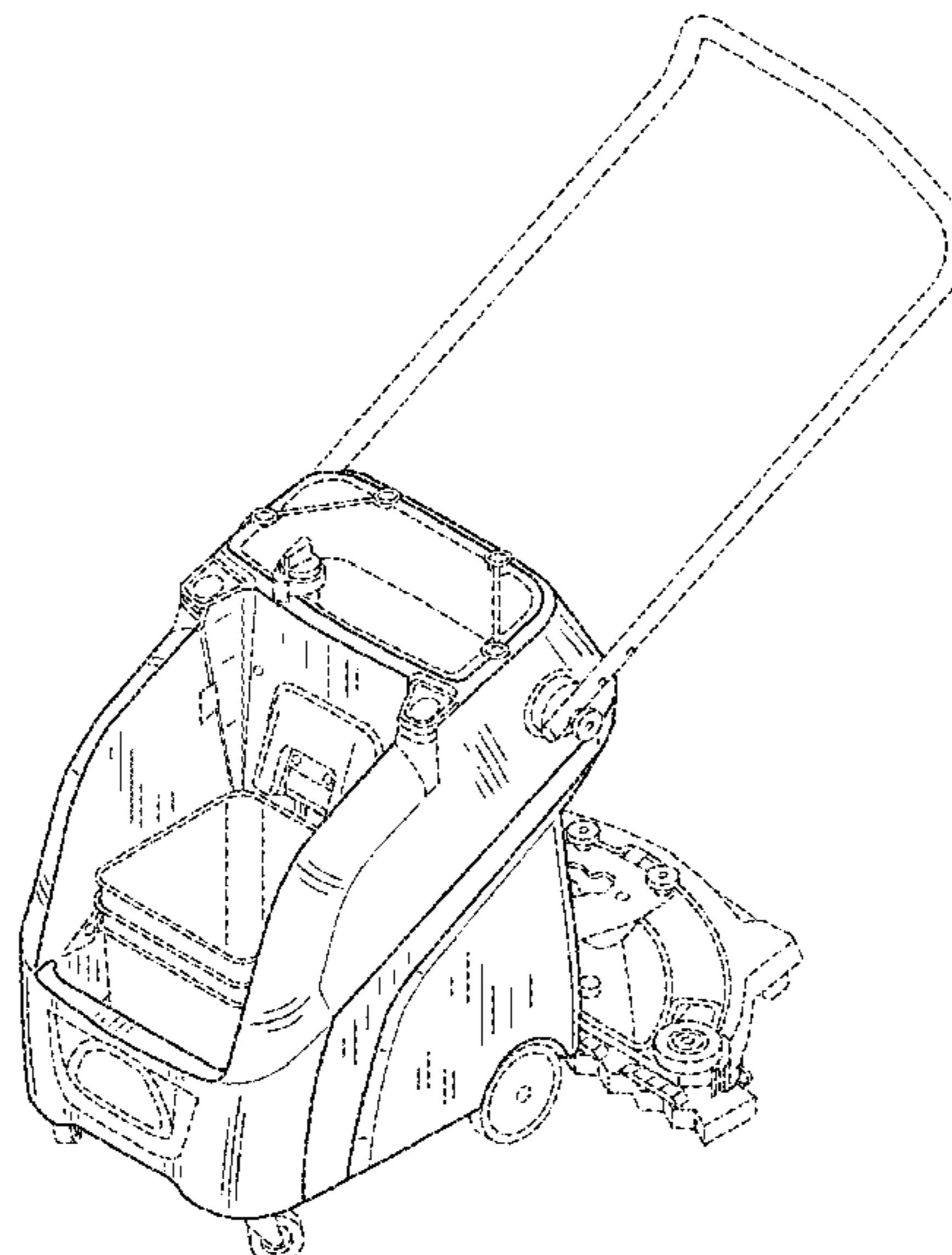
The ornamental design for a floor cleaning device, as shown
and described.

DESCRIPTION

FIG. 1 is a front perspective view of a floor cleaning device;
FIG. 2 is a front elevation view thereof;
FIG. 3 is a rear elevation view thereof;
FIG. 4 is a right elevation view thereof;
FIG. 5 is a left elevation view thereof; and,
FIG. 6 is a top plan view thereof.

The broken lines are provided for the purposes of illustrating
environment, and form no part of the claimed design.

1 Claim, 4 Drawing Sheets



(56)

References Cited

U.S. PATENT DOCUMENTS

D290,054 S * 5/1987 Block D32/15
 5,613,270 A 3/1997 Alvarez et al.
 5,768,742 A 6/1998 Kohl et al.
 6,206,980 B1 3/2001 Robinson
 6,283,170 B1 9/2001 Robinson
 6,431,217 B2 8/2002 Robinson
 6,530,117 B2 3/2003 Peterson
 6,647,585 B1 11/2003 Robinson
 6,766,556 B2 7/2004 Gergek
 6,789,552 B1 9/2004 Robinson et al.
 7,137,170 B1 11/2006 Morey et al.
 7,270,251 B1 9/2007 Robinson
 7,272,869 B1 9/2007 Robinson
 7,316,049 B1 1/2008 Robinson, Sr. et al.
 7,490,745 B1 2/2009 Robinson
 D593,717 S * 6/2009 Vernazza D32/16
 7,640,622 B2 1/2010 Vankouwenberg
 7,717,354 B1 5/2010 Robinson
 7,878,378 B1 2/2011 Robinson
 D642,343 S * 7/2011 Dammkoehler D32/16
 D659,308 S * 5/2012 Dammkoehler D32/16
 D661,853 S * 6/2012 Dammkoehler D32/16
 D693,071 S * 11/2013 Dammkoehler D32/16
 D694,969 S * 12/2013 Dammkoehler D32/16
 D712,605 S * 9/2014 Dammkoehler D32/21
 D734,573 S * 7/2015 Dammkoehler D32/16
 D737,005 S * 8/2015 Dammkoehler D32/16
 2003/0005546 A1 1/2003 Bone
 2004/0244133 A1 12/2004 Li
 2005/0081319 A1* 4/2005 Legatt A47L 11/03
 15/320
 2005/0091783 A1* 5/2005 Sepke A47L 9/0483
 15/320
 2006/0185113 A1* 8/2006 Kloeppe A47L 11/03
 15/320
 2006/0254020 A1 11/2006 Robinson
 2007/0267044 A1 11/2007 Robinson
 2008/0104792 A1* 5/2008 Coccapani A47L 11/30
 15/320
 2010/0293740 A1 11/2010 Gordon et al.
 2011/0030163 A1* 2/2011 Tucker A47L 11/305
 15/320
 2011/0132402 A1* 6/2011 Ickes, III A47L 11/40
 134/18
 2012/0317746 A1* 12/2012 Hill A47L 11/302
 15/320
 2013/0047353 A1* 2/2013 Windmeisser A47L 11/302
 15/3
 2014/0026336 A1* 1/2014 Maurer A47L 11/40
 15/3
 2014/0041146 A1 2/2014 Venard et al.

2014/0144467 A1* 5/2014 Merz A47L 11/4055
 134/6
 2015/0040945 A1 2/2015 Venard et al.
 2016/0073845 A1* 3/2016 Walz A47L 11/305
 134/18
 2016/0278598 A1* 9/2016 Werner A47L 11/2025

FOREIGN PATENT DOCUMENTS

CN	2043101	8/1989
CN	1209984	3/1999
CN	201067376	6/2008
EP	2125250	11/2011
GB	16679	5/1911
GB	643817	9/1950
KR	20100130293	12/2010

OTHER PUBLICATIONS

“Semi-Auto Scrubbers Owners Manual FANG18C,” Viper North America, 2012, 18 pages.
 English Translation of Official Action for China Patent Application No. 201380014988.0, dated Dec. 4, 2015 8 pages.
 English Translation of Official Action for China Patent Application No. 201380014988.0, dated Jul. 28, 2016 5 pages.
 International Search Report and Written Opinion for International (PCT) Patent Application No. PCT/US2015/048451, dated Dec. 4, 2015 10 pages.
 International Preliminary Report on Patentability for International (PCT) Patent Application No. PCT/US2013/053998, dated Feb. 19, 2015 8 pages.
 Notification of Grant (with English Translation) for Chinese Patent Application No. 201530047919.1, dated Jul. 22, 2015, 5 pages.
 Official Action (with English translation) for Korean Patent Application No. 30-2015-0009020, dated Jul. 2, 2015, 4 pages.
 Final Action for U.S. Appl. No. 13/961,673, dated Jun. 25, 2015, 12 pages.
 International Search Report and Written Opinion for International (PCT) Patent Application No. PCT/US2013/053998, dated Feb. 7, 2014 8 pages.
 Official Action for U.S. Appl. No. 13/961,673, dated Jan. 9, 2015, 16 pages.
 U.S. Appl. No. 14/592,423, filed Jan. 8, 2015, Venard et al.
 U.S. Appl. No. 14/592,426, filed Jan. 8, 2015, Venard et al.
 Extended Search Report for European Patent Application No. 13827475.8, dated Aug. 21, 2015 7 pages.
 Notice of Allowance with English Translation for Korea Patent Application No. 30-2015-0009020, dated Sep. 17, 2015 3 pages.
 Notice of Allowance for U.S. Appl. No. 13/961,673, dated Sep. 30, 2015 5 pages.

* cited by examiner

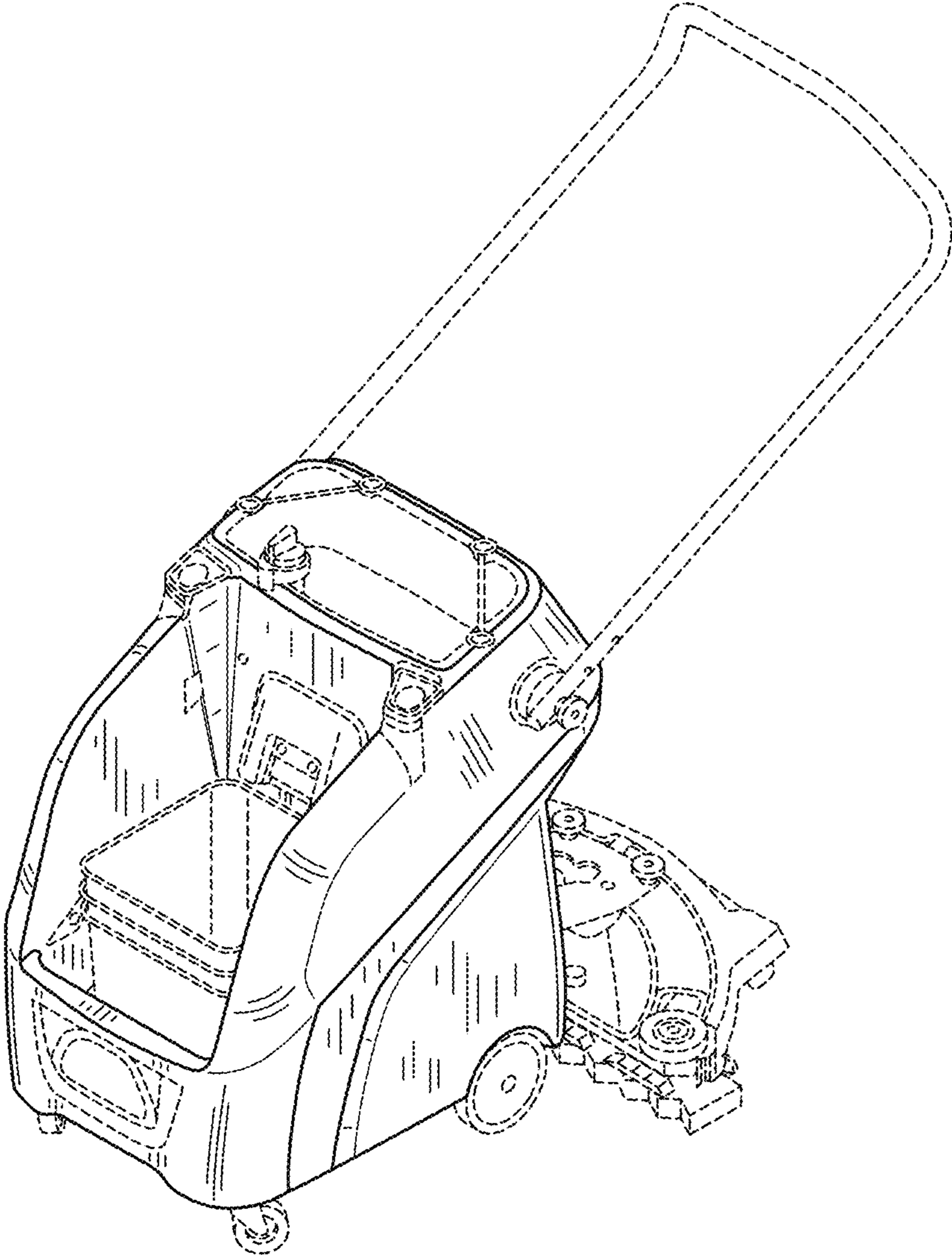


FIG.1

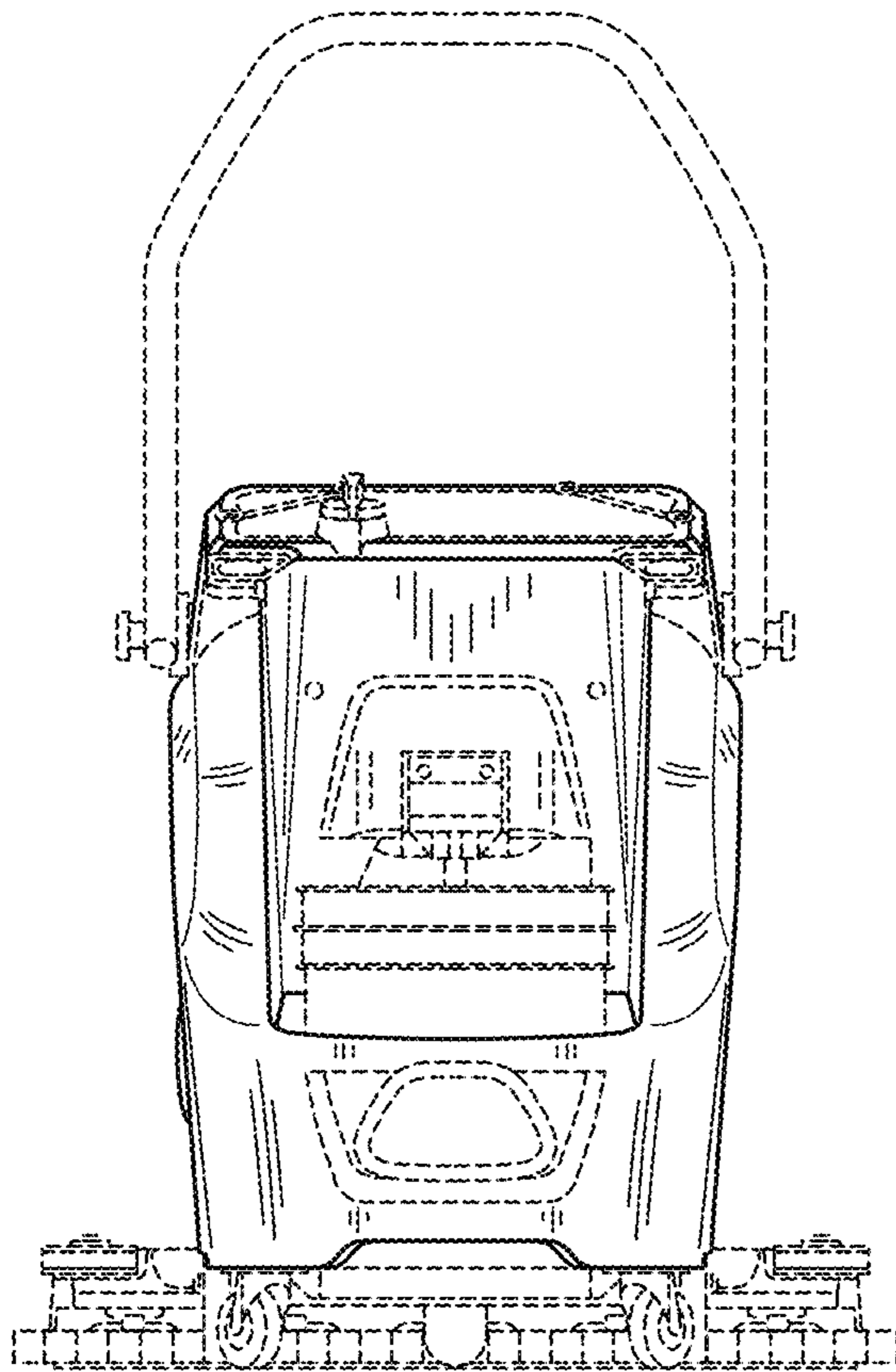


FIG. 2

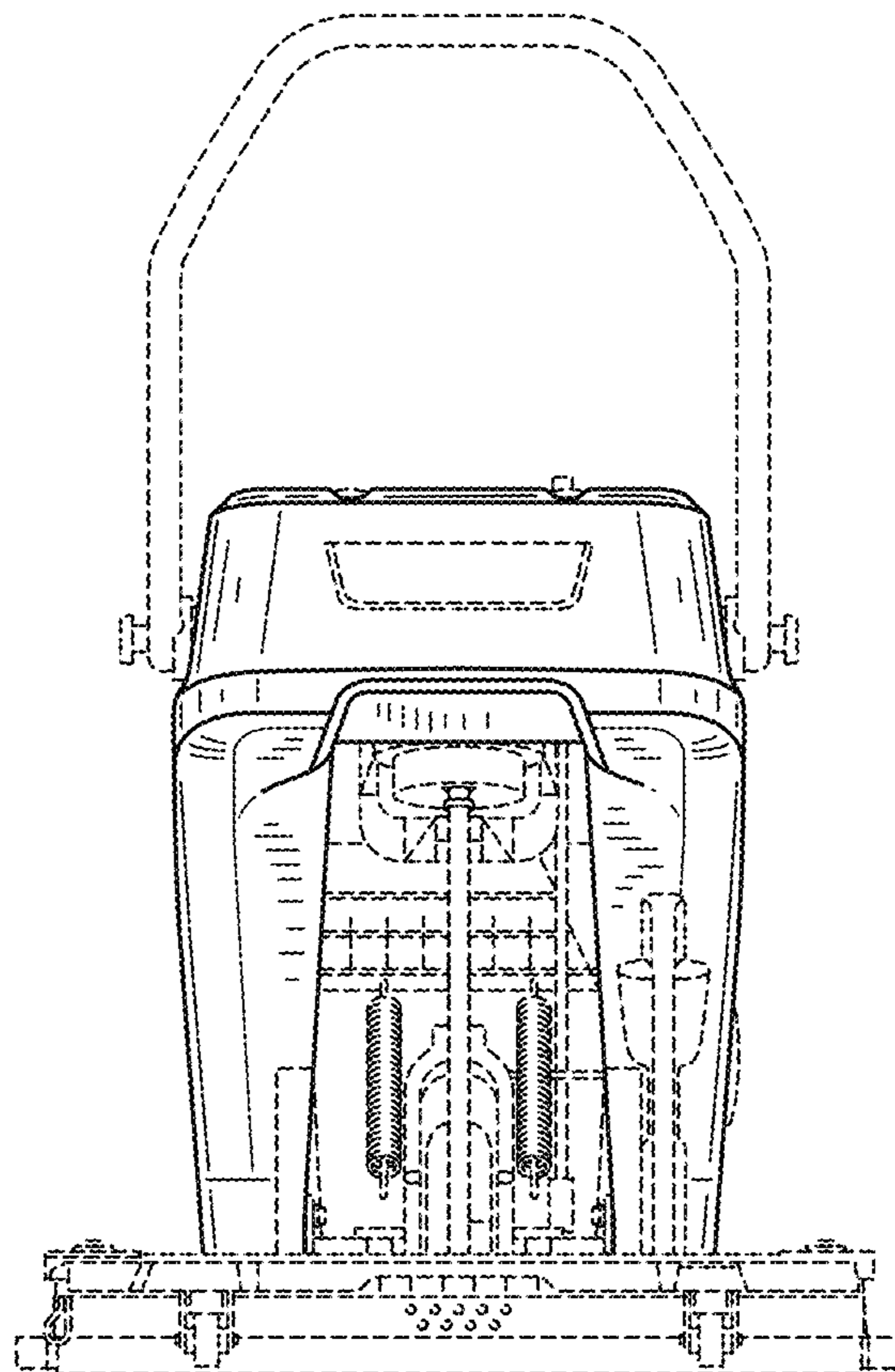


FIG. 3

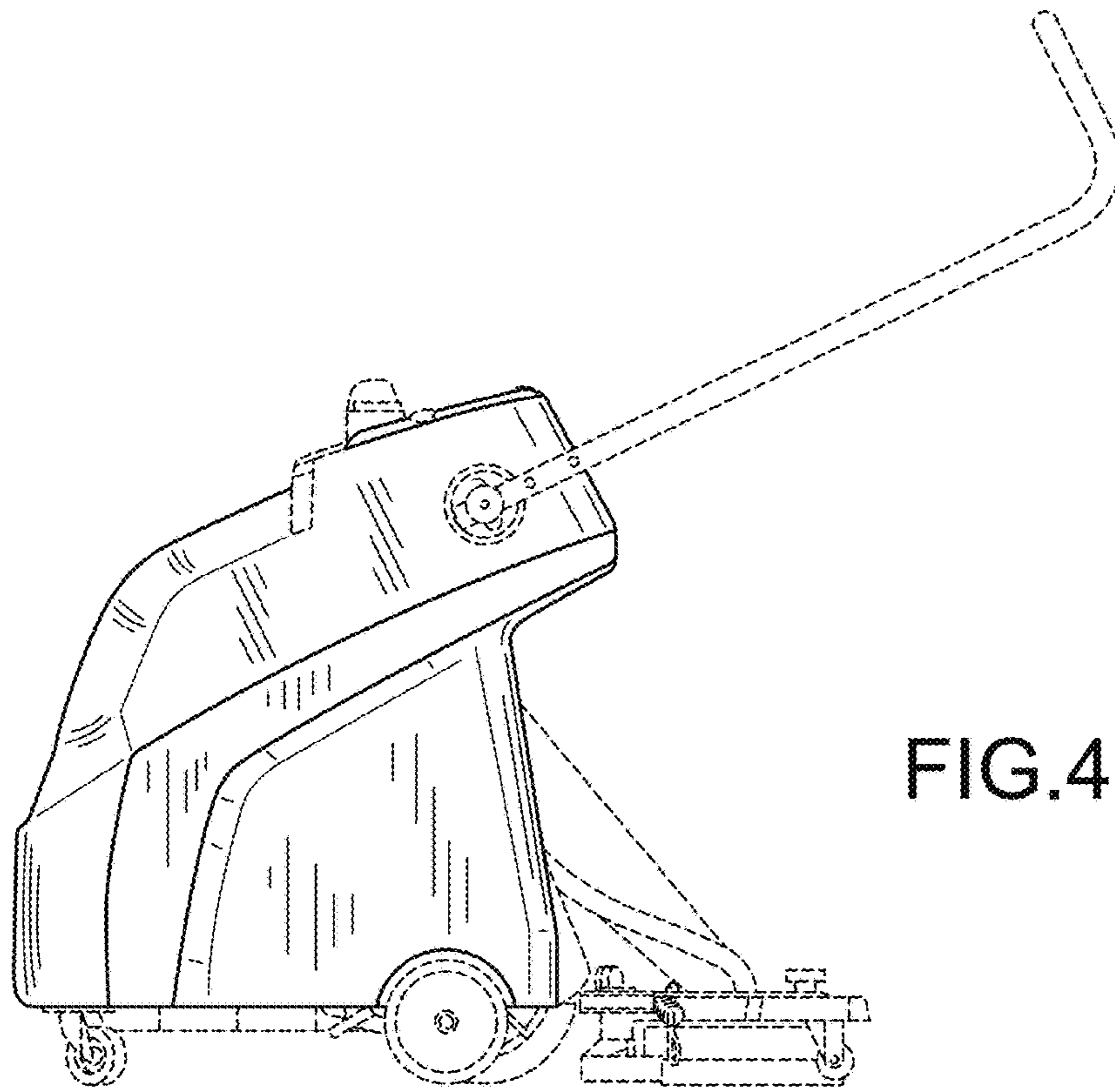


FIG. 4

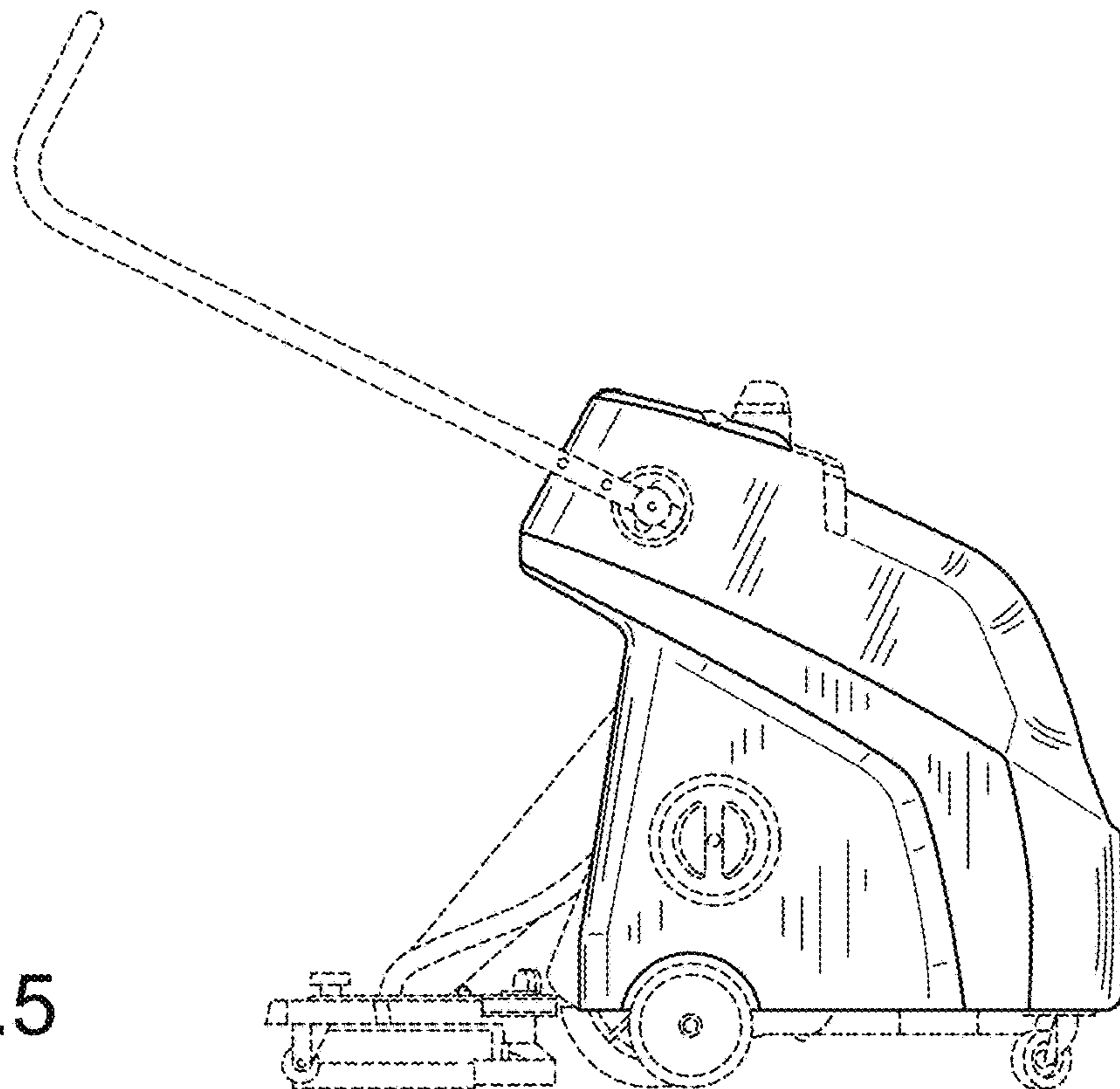


FIG. 5

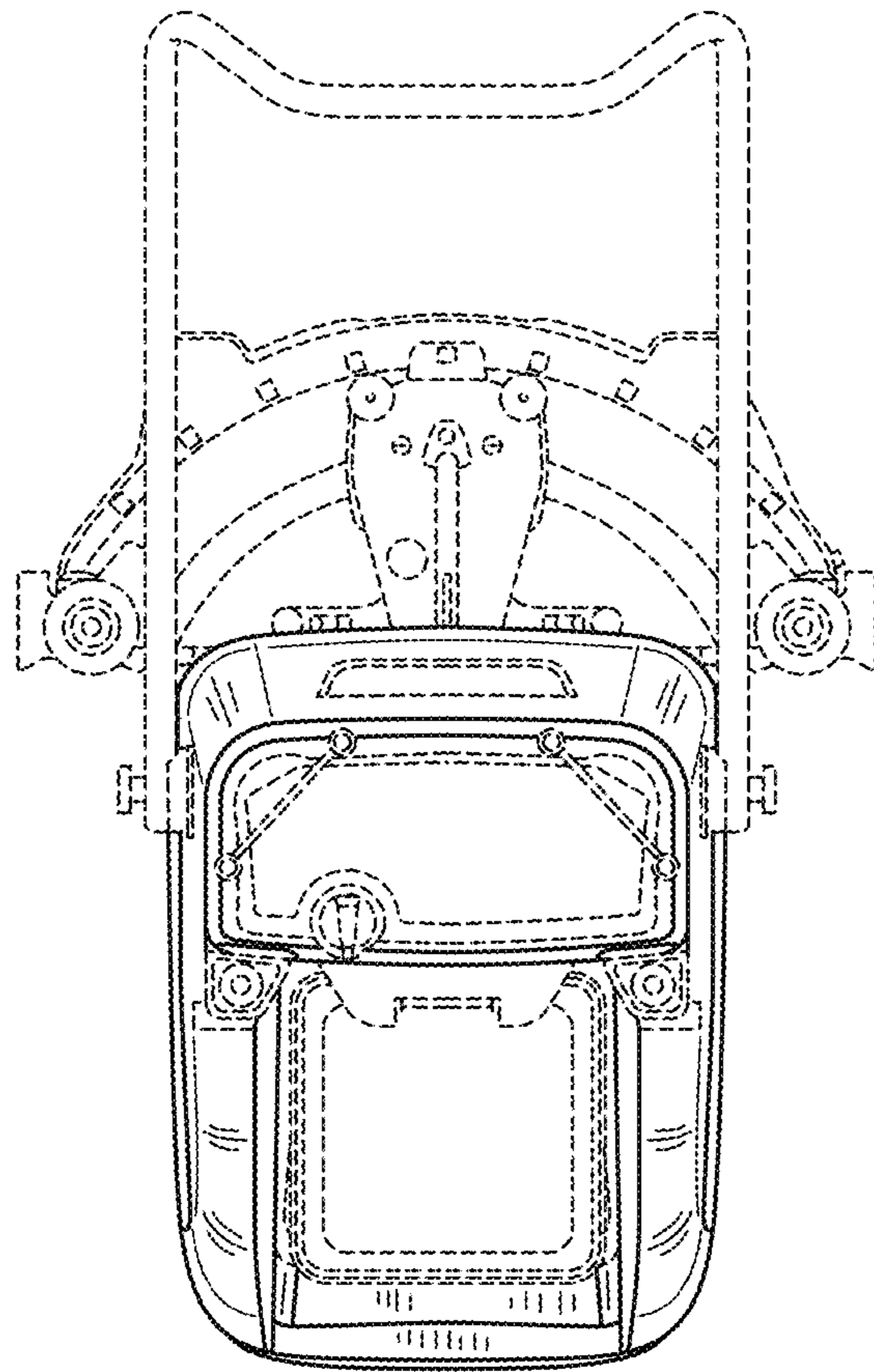


FIG.6