



US00D809720S

(12) **United States Design Patent**
Salas

(10) **Patent No.:** **US D809,720 S**

(45) **Date of Patent:** **** Feb. 6, 2018**

(54) **PLUNGER**

(71) Applicant: **Al Salas**, Sterling, MA (US)

(72) Inventor: **Al Salas**, Sterling, MA (US)

(**) Term: **15 Years**

(21) Appl. No.: **29/586,613**

(22) Filed: **Dec. 6, 2016**

(51) **LOC (11) Cl.** **15-05**

(52) **U.S. Cl.**
USPC **D32/14**

(58) **Field of Classification Search**
USPC D32/14, 25; D6/524; 206/349;
4/255.11; 16/429
CPC E03C 1/308; A47K 17/00; A46B 5/0033;
B65D 81/36
See application file for complete search history.

(56) **References Cited**

U.S. PATENT DOCUMENTS

4,622,702	A	11/1986	Allen	
4,745,641	A	5/1988	Tash	
4,768,237	A *	9/1988	Torti	E03C 1/308 4/255.05
5,114,006	A *	5/1992	Wilk	B65D 81/36 206/349
5,305,882	A *	4/1994	Kaplan	A46B 5/0033 15/144.4
5,456,356	A	10/1995	Kurzawa	
5,537,694	A	7/1996	Davenport	
D383,935	S *	9/1997	Zawalsky	D6/524
D419,806	S *	2/2000	Shafik	D32/35
6,055,680	A	5/2000	Tolbert	
6,374,427	B1	4/2002	Tash	
7,017,197	B1 *	3/2006	Williams	E03C 1/308 4/255.11
7,089,605	B2	8/2006	Jiang	
7,465,942	B2 *	12/2008	Holden	A47K 17/00 206/349

7,908,681	B2	3/2011	Nguyen et al.	
D688,489	S *	8/2013	Cohen	E03C 1/308 D6/524

9,133,610 B2 9/2015 Dressel et al.
(Continued)

FOREIGN PATENT DOCUMENTS

CN	201972210	9/2011
WO	2014018009	1/2014

OTHER PUBLICATIONS

Store Toilet Plunger posted by Plumb Craft posted date Jul. 21, 2011, © Amazon, [online], https://www.amazon.com/PlumbCraft-Toilet-Plunger-Adjustable-Storage/dp/B005BIGEEM/ref=sr_1_82_sspa?ie=UTF8&qid=1508360254&sr=8-82-spons&keywords=plunger&psc=1 (Year: 2011).*
(Continued)

Primary Examiner — Cynthia Ramirez

Assistant Examiner — Laura H Yu

(74) *Attorney, Agent, or Firm* — Gary E. Lambert; David J. Connaughton, Jr.; Lambert & Associates

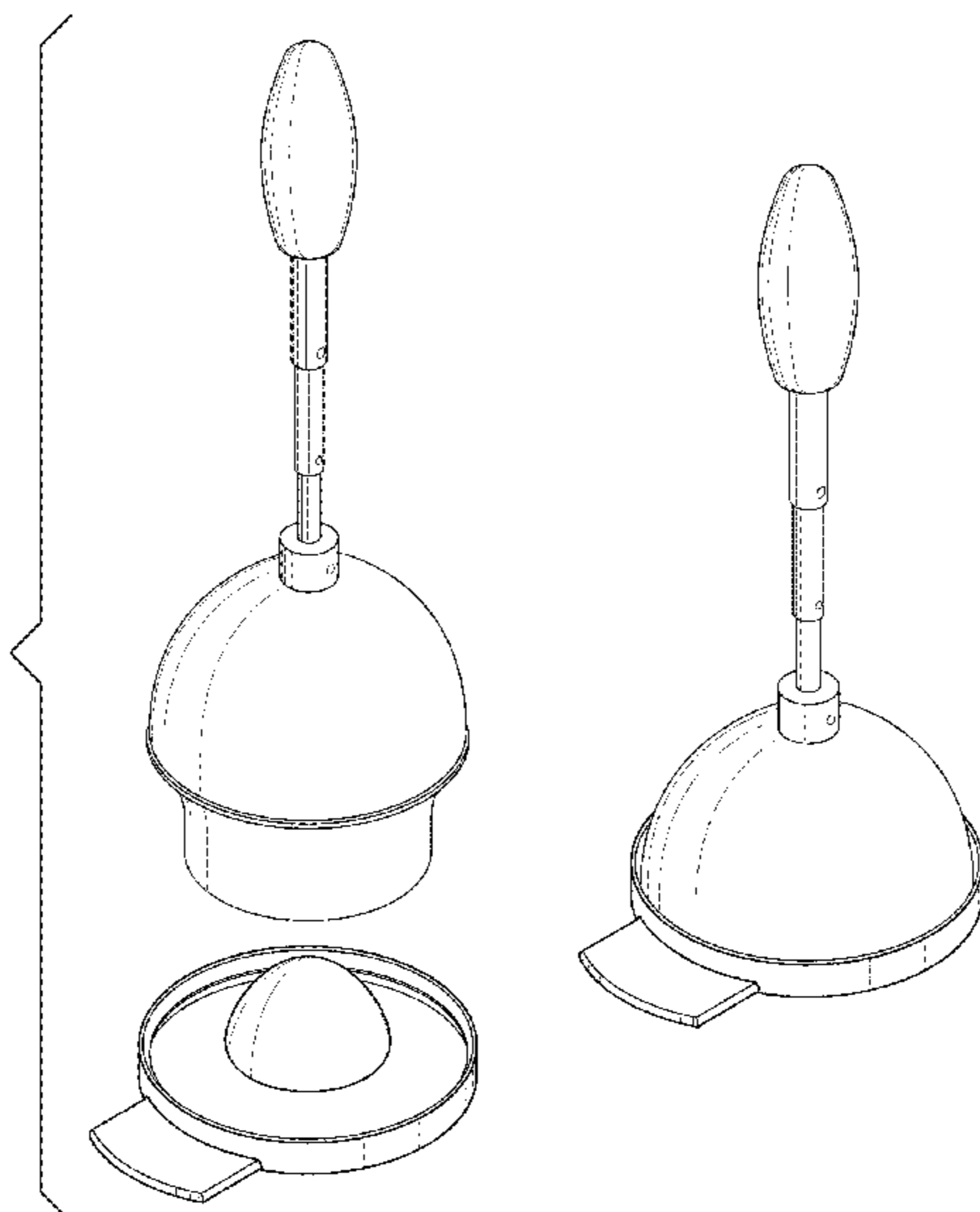
(57) **CLAIM**

The ornamental design for a plunger, as shown and described.

DESCRIPTION

FIG. 1 is an exploded isometric view of the plunger, which embodies my design;
FIG. 2 is an isometric view of the plunger;
FIG. 3 is an exploded left side view of the plunger;
FIG. 4 is an exploded right side view of the plunger;
FIG. 5 is an exploded front view of the plunger;
FIG. 6 is an exploded rear view of the plunger;
FIG. 7 is a top plan view of the plunger;
FIG. 8 is a bottom plan view of the plunger; and,
FIG. 9 is an isometric view of the plunger with the handle in an alternate configuration.

1 Claim, 4 Drawing Sheets



(56)

References Cited

U.S. PATENT DOCUMENTS

2007/0240269 A1 10/2007 Wilson

OTHER PUBLICATIONS

Mr Clean Plunger posted by Mr Clean posted review date Jul. 27, 2012, © Amazon, [online], https://www.amazon.com/Mr-Clean-440312-Turbo-Plunger/dp/B0065G84W4/ref=sr_1_14?ie=UTF8&qid=1508359852&sr=8-14&keywords=plunger (Year: 2012).*

* cited by examiner

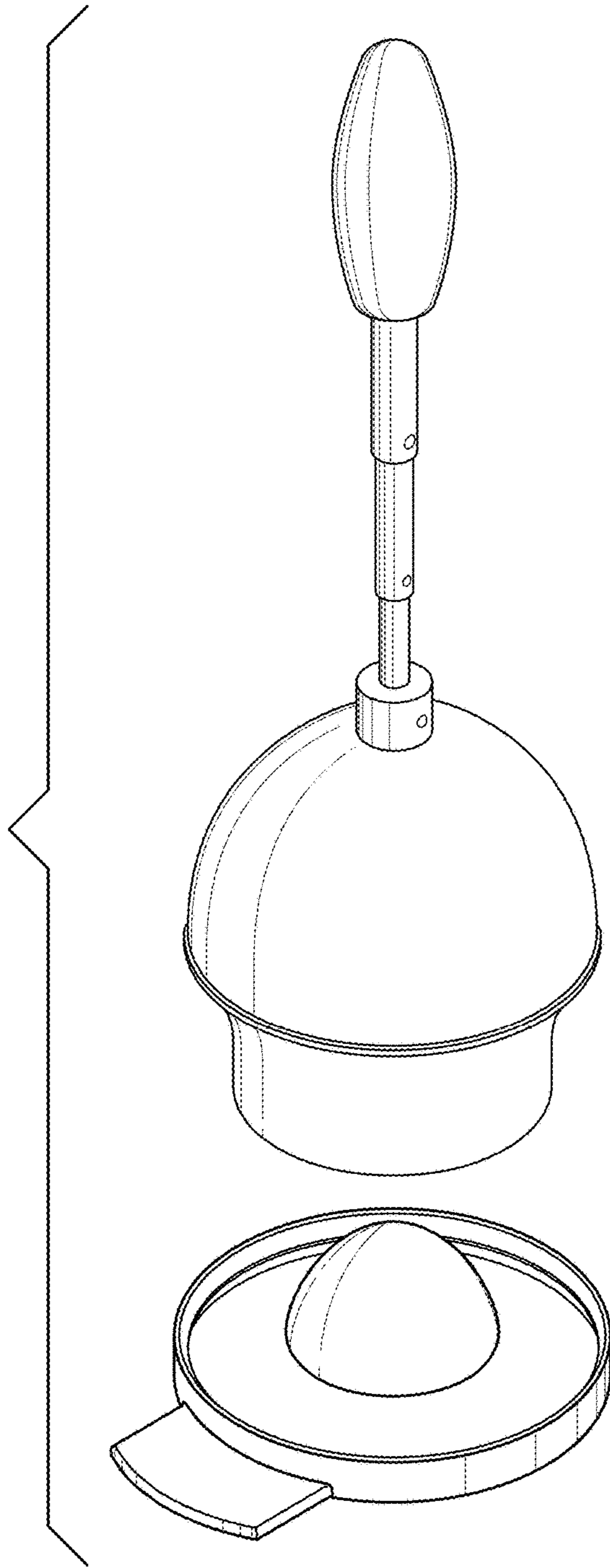


Fig. 1

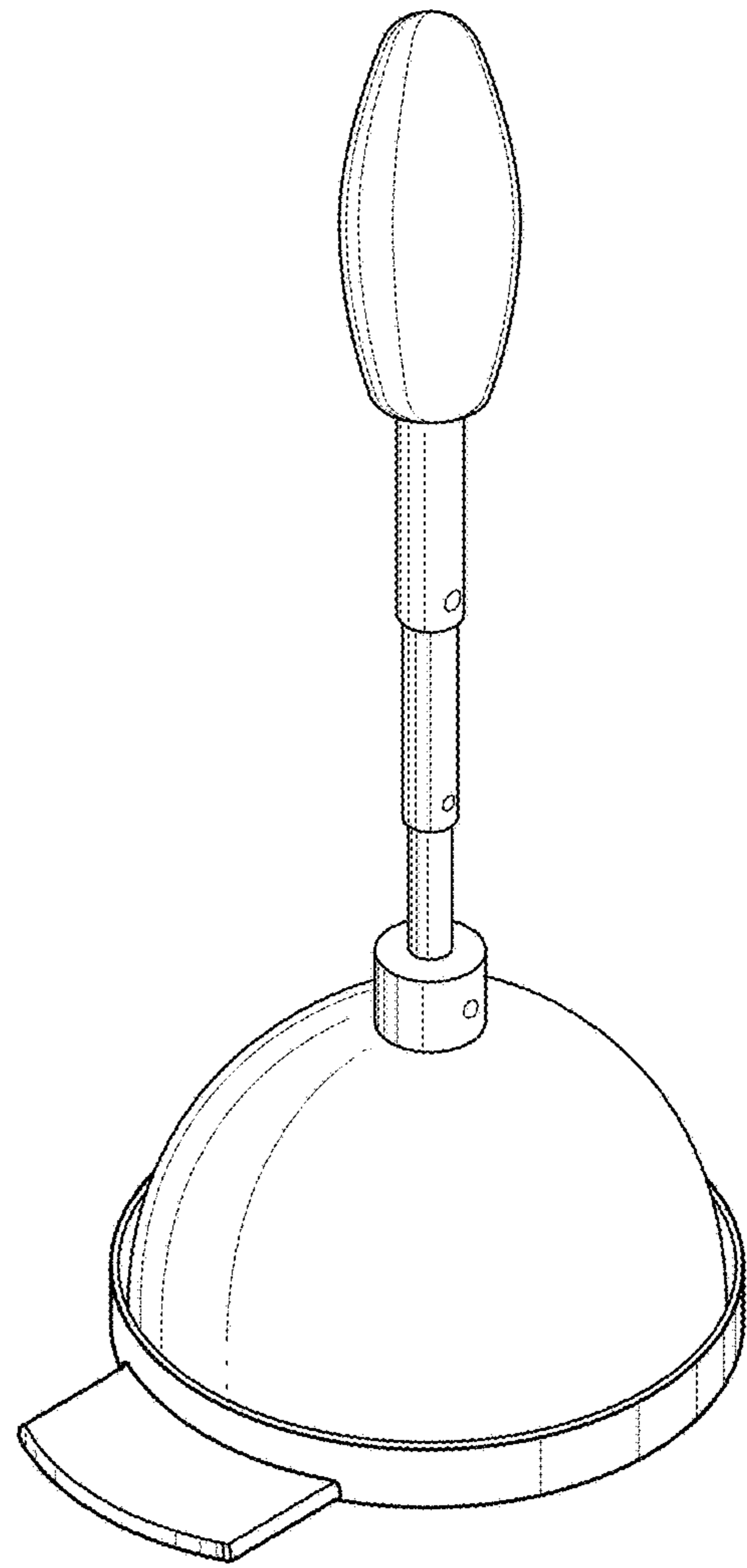


Fig. 2

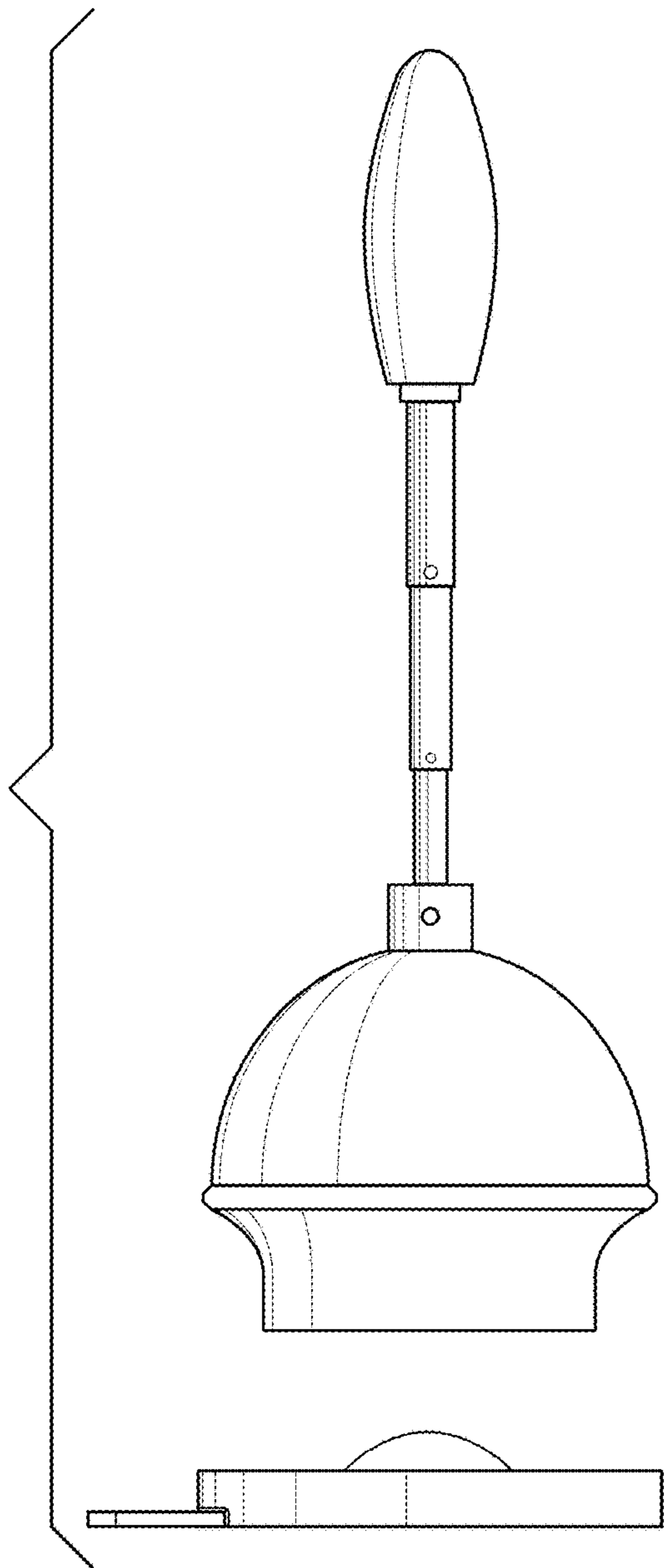


Fig. 3

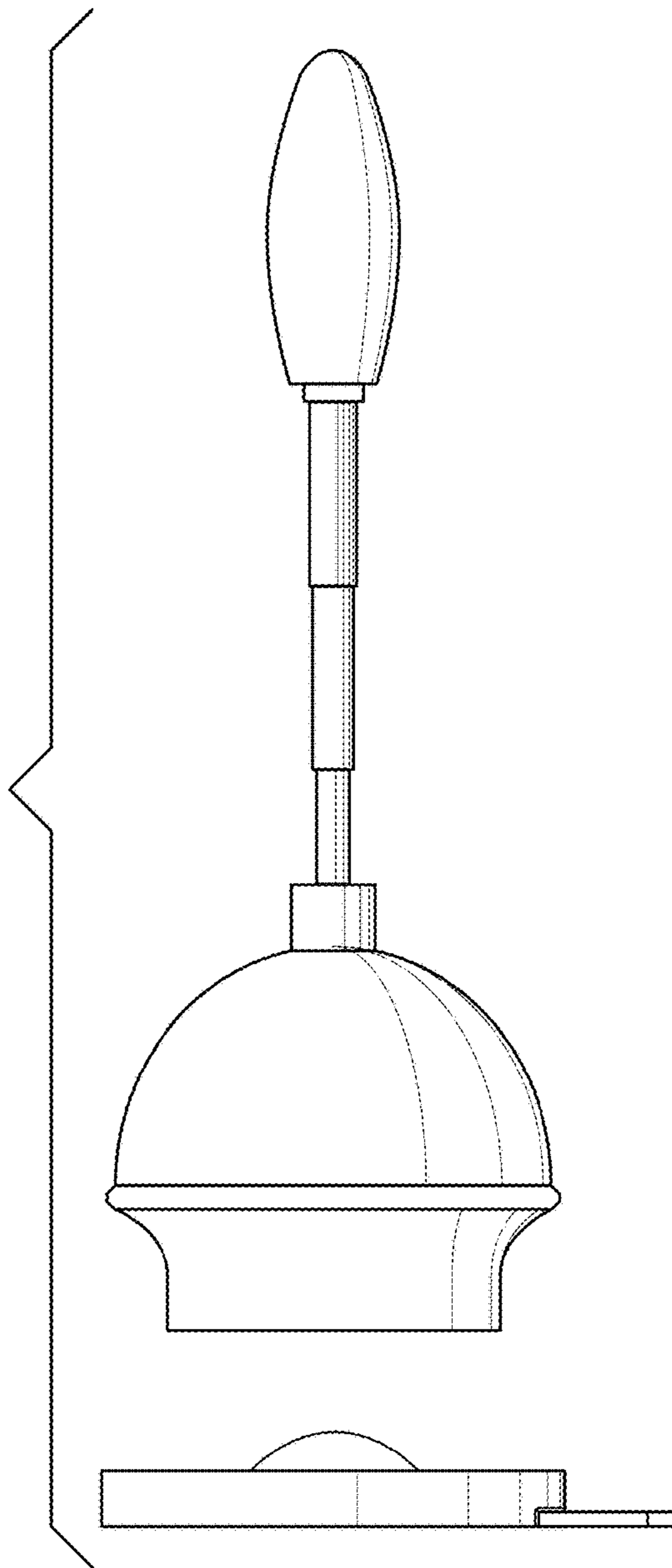


Fig. 4

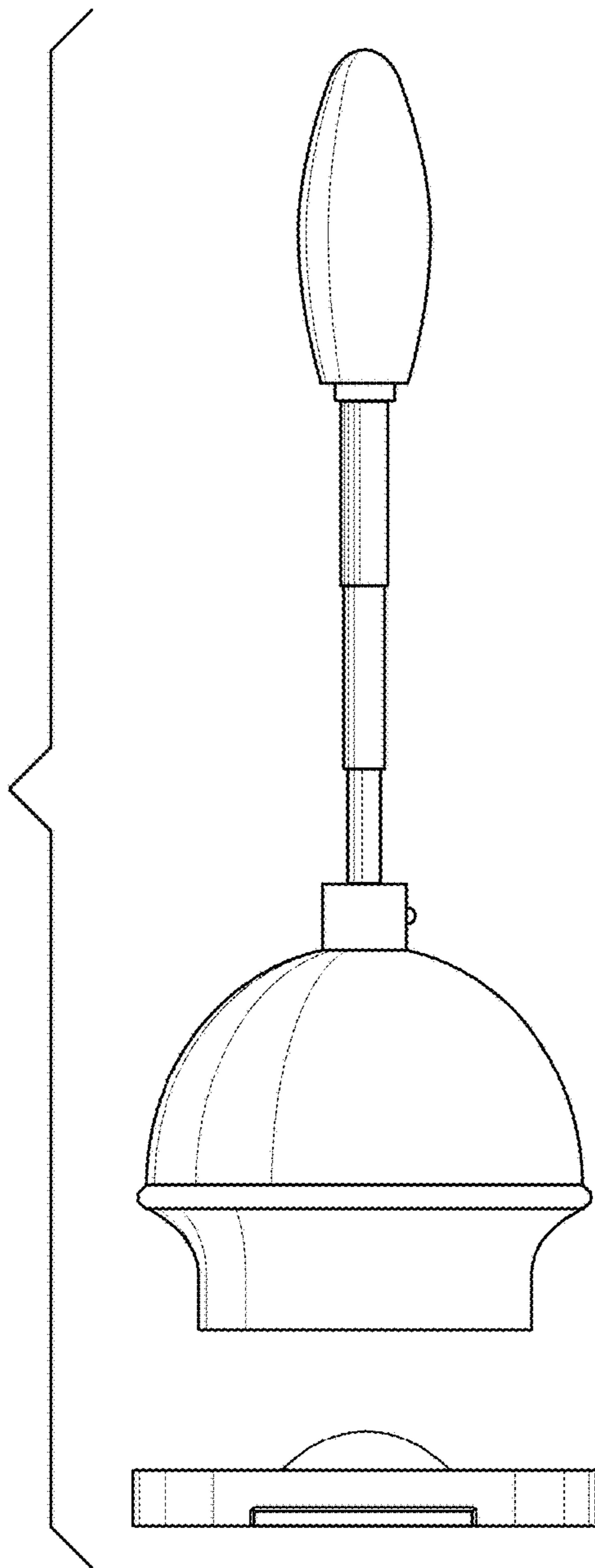


Fig. 5

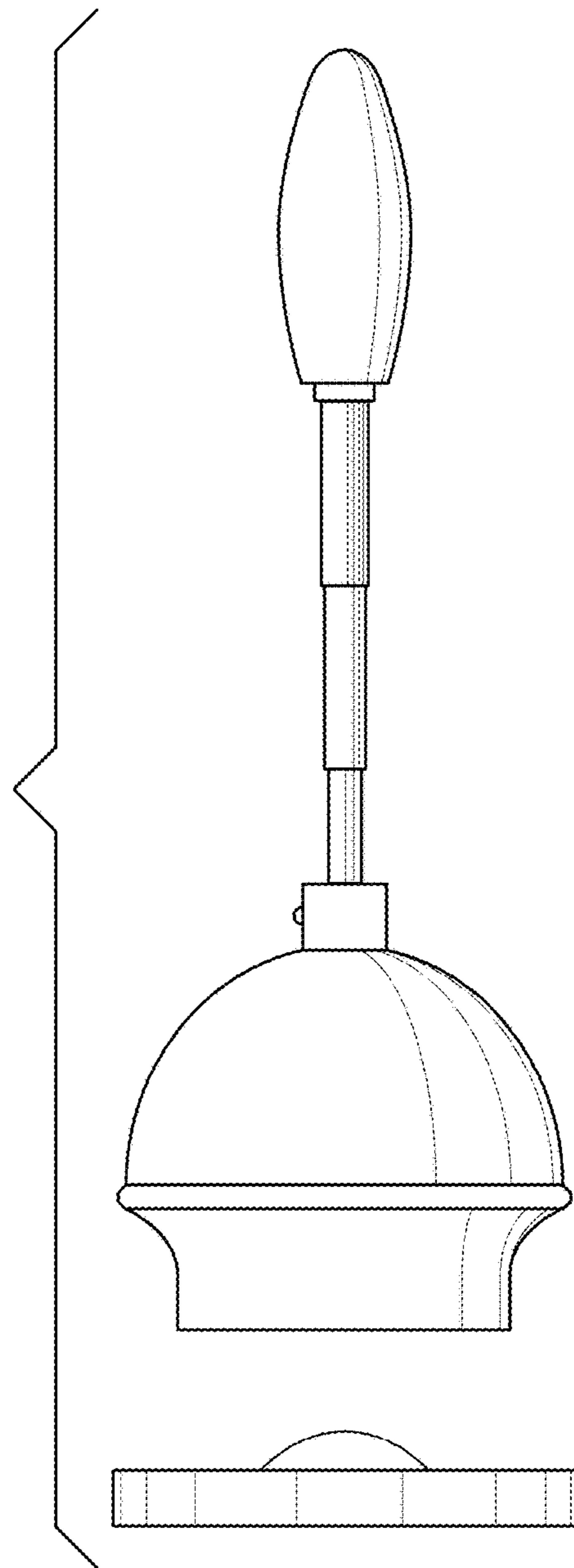


Fig. 6

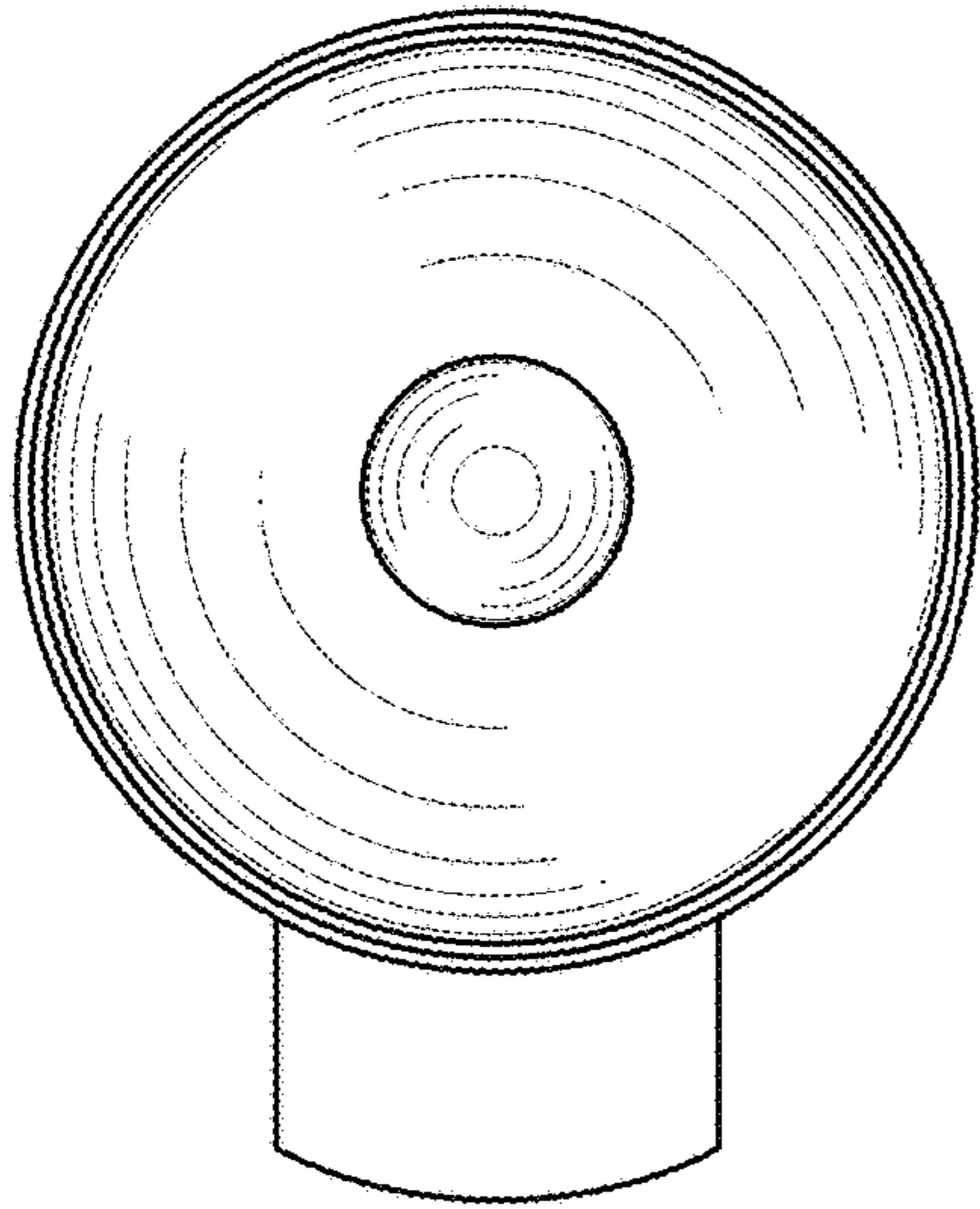


Fig. 7

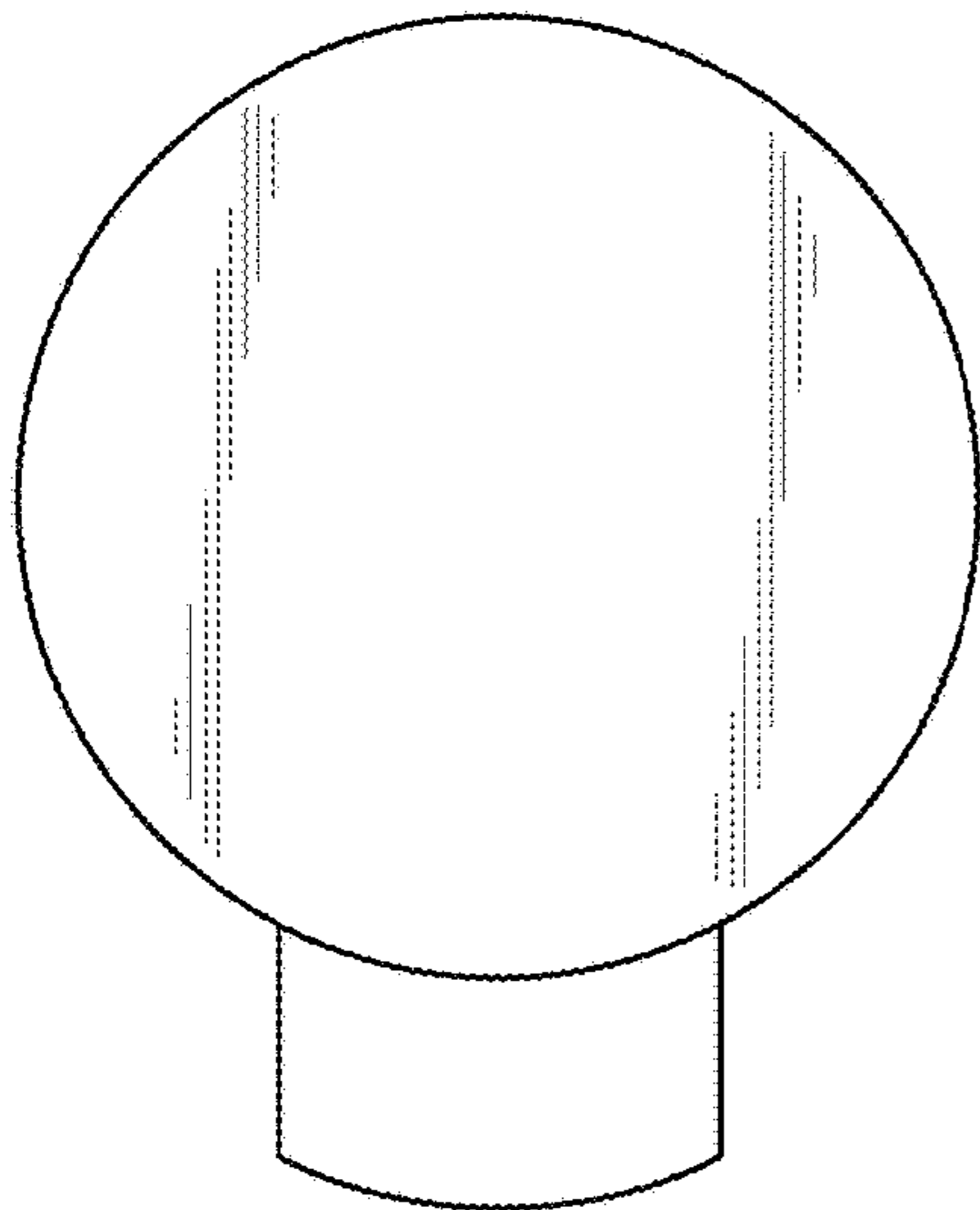


Fig. 8

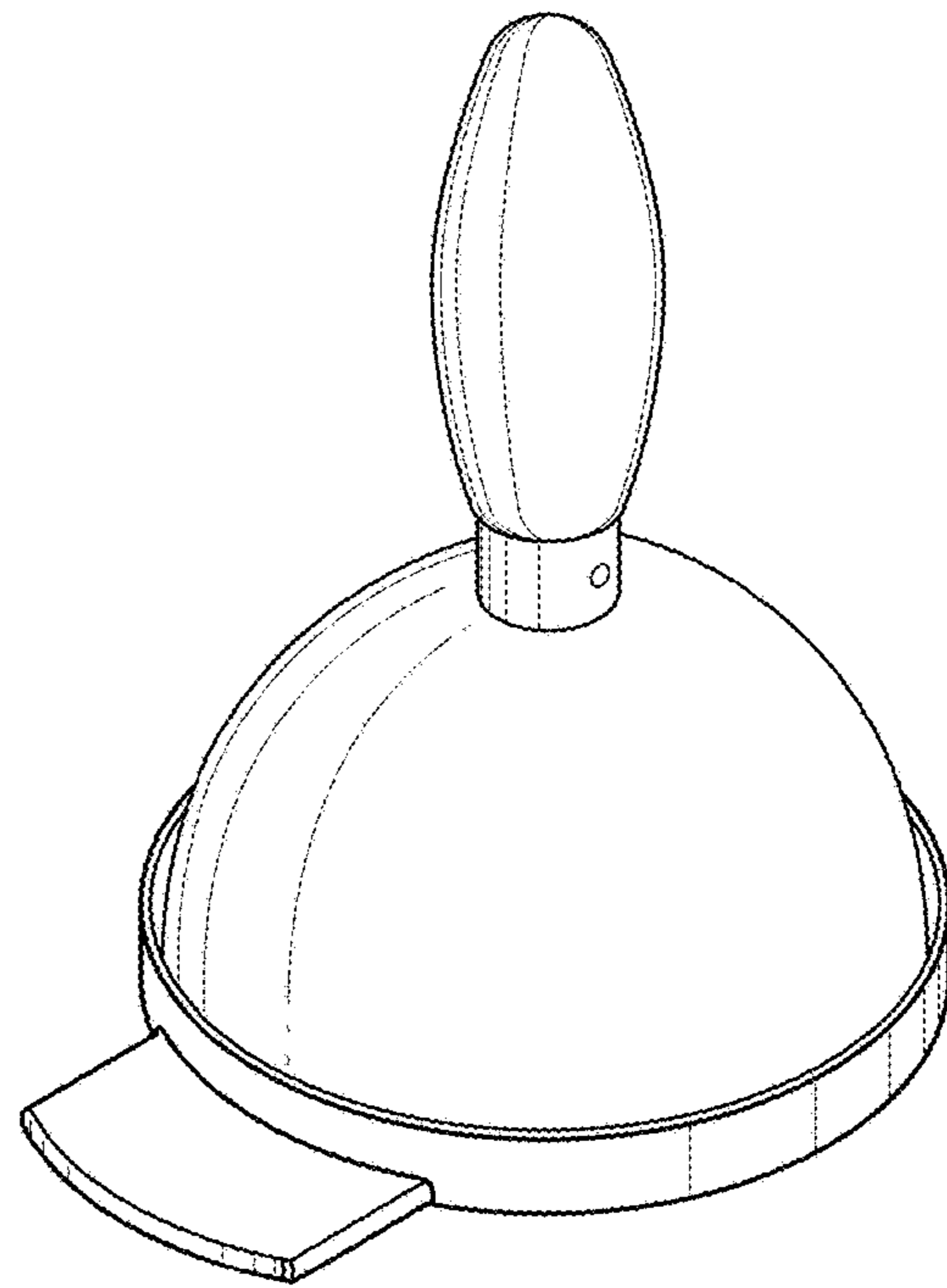


Fig. 9