



US00D809719S

(12) **United States Design Patent**
Kim et al.

(10) **Patent No.:** **US D809,719 S**

(45) **Date of Patent:** **** Feb. 6, 2018**

(54) **DRUM WASHING MACHINE**

(71) Applicant: **SAMSUNG ELECTRONICS CO., LTD.**, Suwon-si, Gyeonggi-do (KR)

(72) Inventors: **Jinnam Kim**, Seoul (KR);
Sung-Kyung Lee, Seoul (KR); **Jungah Choi**, Seoul (KR)

(73) Assignee: **SAMSUNG ELECTRONICS CO., LTD.**, Gyeonggi-Do (KR)

(**) Term: **15 Years**

(21) Appl. No.: **29/588,339**

(22) Filed: **Dec. 20, 2016**

(30) **Foreign Application Priority Data**

Aug. 26, 2016 (KR) 30-2016-0041875

(51) **LOC (11) Cl.** **15-05**

(52) **U.S. Cl.**
USPC **D32/6**

(58) **Field of Classification Search**
USPC D32/29.1, 29, 28, 6, 25, 8, 1, 5, 10;
312/288; 248/638, 673
CPC D06F 39/045; D06F 25/00; D06F 39/022;
D06F 33/02; D06F 2204/065; D06F
35/006; D06F 39/12; D06F 39/00; D06F
49/06; D06F 37/26; D06F 37/20; D06F
31/00; A47L 15/4418; F16M 9/00
See application file for complete search history.

(56) **References Cited**

U.S. PATENT DOCUMENTS

D705,506 S * 5/2014 Kwack D32/28
D709,657 S * 7/2014 Shin D32/25
D748,355 S * 1/2016 Sim D32/6
D762,025 S * 7/2016 Joo D32/6
D770,701 S * 11/2016 Park D32/6
D770,704 S * 11/2016 Yun D32/6

D772,499 S * 11/2016 Yoon D32/6
D773,128 S * 11/2016 Kim D32/6
D773,753 S * 12/2016 Kim D32/6
D785,881 S * 5/2017 Yoon D32/25
D787,759 S * 5/2017 Geyer D32/6
D791,419 S * 7/2017 Kim D32/6
D792,663 S * 7/2017 Kim D32/6

(Continued)

FOREIGN PATENT DOCUMENTS

CN 302687878 S 12/2013
JP D1478375 S 8/2013

OTHER PUBLICATIONS

Discover Samsung AddWash posted by Ao.Com posted date May 27, 2016, © YouTube, [online], [site visited Sep. 12, 2017]. Available from Internet, https://www.youtube.com/watch?v=n9_hs3h6ijI.*

(Continued)

Primary Examiner — Cynthia Ramirez

Assistant Examiner — Laura Yu

(74) *Attorney, Agent, or Firm* — Cantor Colburn LLP

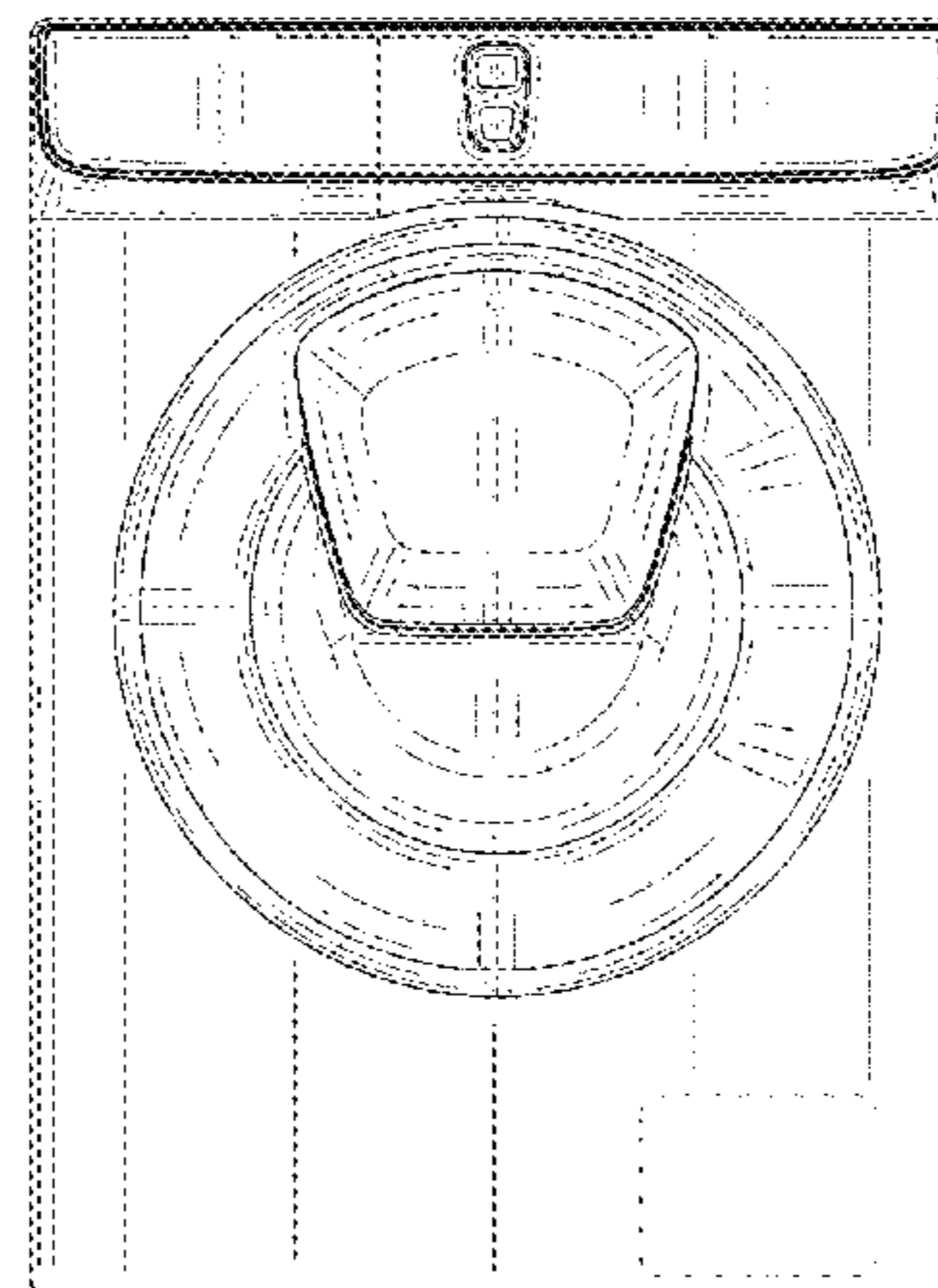
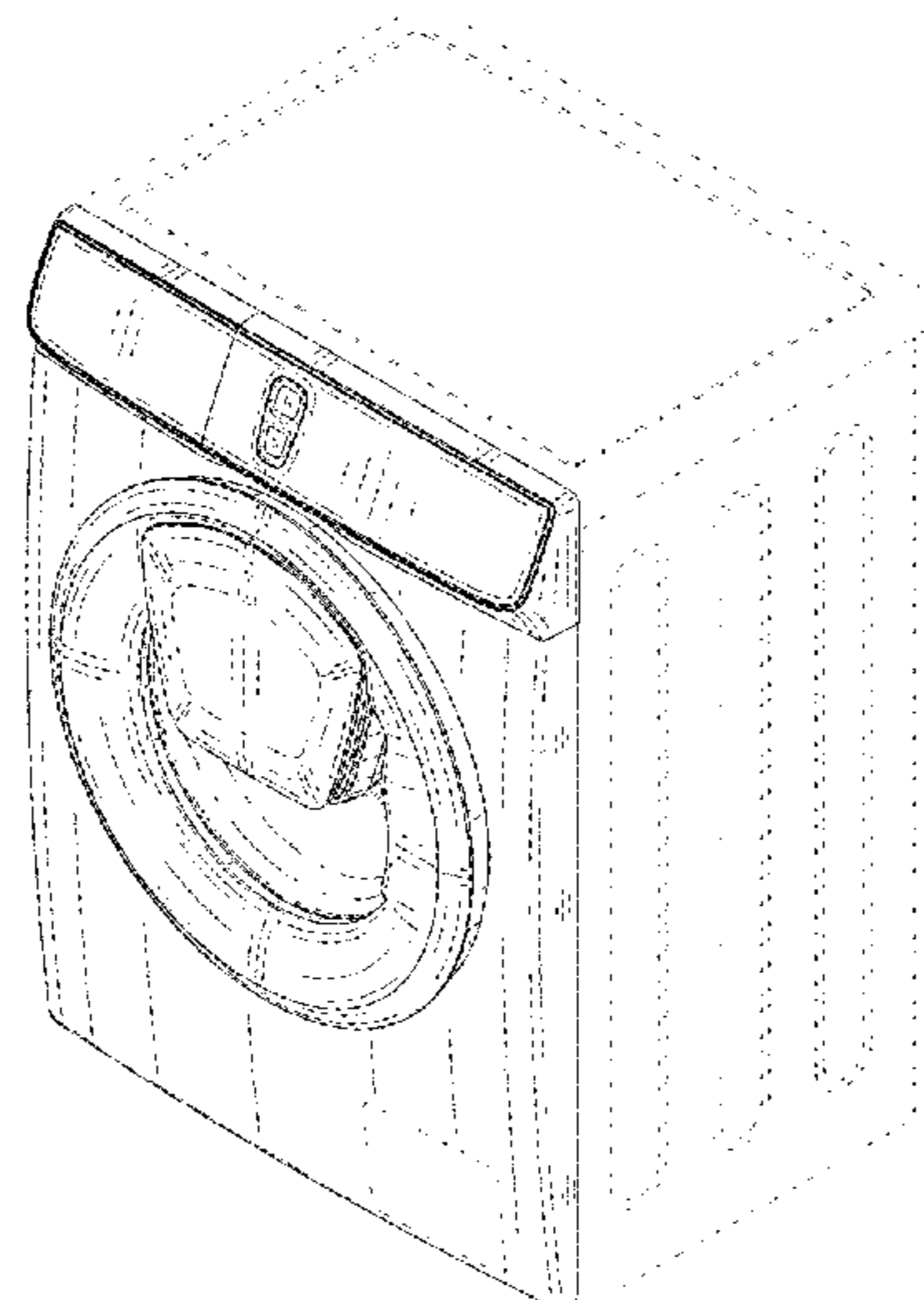
(57) **CLAIM**

The ornamental design for a drum washing machine, as shown and described.

DESCRIPTION

FIG. 1 is a front perspective view of a drum washing machine, showing our new design; FIG. 2 is a front view thereof; FIG. 3 is a rear view thereof; FIG. 4 is a left side view thereof; FIG. 5 is a right side view thereof; FIG. 6 is a top view thereof; and, FIG. 7 is a bottom view thereof. The broken lines illustrating portions of the drum washing machine form no part of the claimed design.

1 Claim, 7 Drawing Sheets



(56)

References Cited

U.S. PATENT DOCUMENTS

D793,013 S * 7/2017 Kang D32/6
D794,266 S * 8/2017 Yoon D32/6
D794,267 S * 8/2017 Kang D32/6

OTHER PUBLICATIONS

Samsung AddWash WW90K6414QW—Unboxing posted by Media Soft posted date Jun. 13, 2016, © YouTube, [online], [site visited Sep. 12, 2017]. Available from Internet, <https://www.youtube.com/watch?v=2NK05yLqYCA>.*

Samsung FlexWash posted by Kopitiambot posted date Feb. 2, 2017, © Kopitiambot.com, [online], [site visited Sep. 12, 2017]. Available from Internet, <https://kopitiambot.com/2017/02/19/the-samsung-flexwash-is-a-top-load-washer-front-load-washer-and-dryer-all-rolled-into-one/>.*

Samsung 8KG posted by Brenda Jarvie posted date Mar. 20, 2016, © YouTube, [online], [site visited Sep. 12, 2017]. Available from Internet, <https://www.youtube.com/watch?v=tVGbD1mUFkM>.*

Samsung Top Load Washer posted by Samsung posted review date 2014, © Courts.com, [online], [site visited Sep. 12, 2017]. Available from Internet, <https://www.courts.com.sg/samsung-wa90f5s5owa-sp-top-load-washer-9kg-ip072768>.*

Jeff Fisher Domestic Appliance Repairs & Sales. Model WA60125 [online]. pp. 1-2 [retrieved on Dec. 15, 2016]. Retrieved from the Internet: <URL: <http://www.fishersdomesticappliances.co.uk/Sales.html>.

LG Front Load Washing Machine, LG Electronics PH. Model WD-1496VDT [online]. pp. 1-7 [retrieved on Dec. 15, 2016]. Retrieved from the Internet: <URL: <http://www.lg.com/ph/washing-machines/lg-WD-1496VDT>.

* cited by examiner

FIG. 1

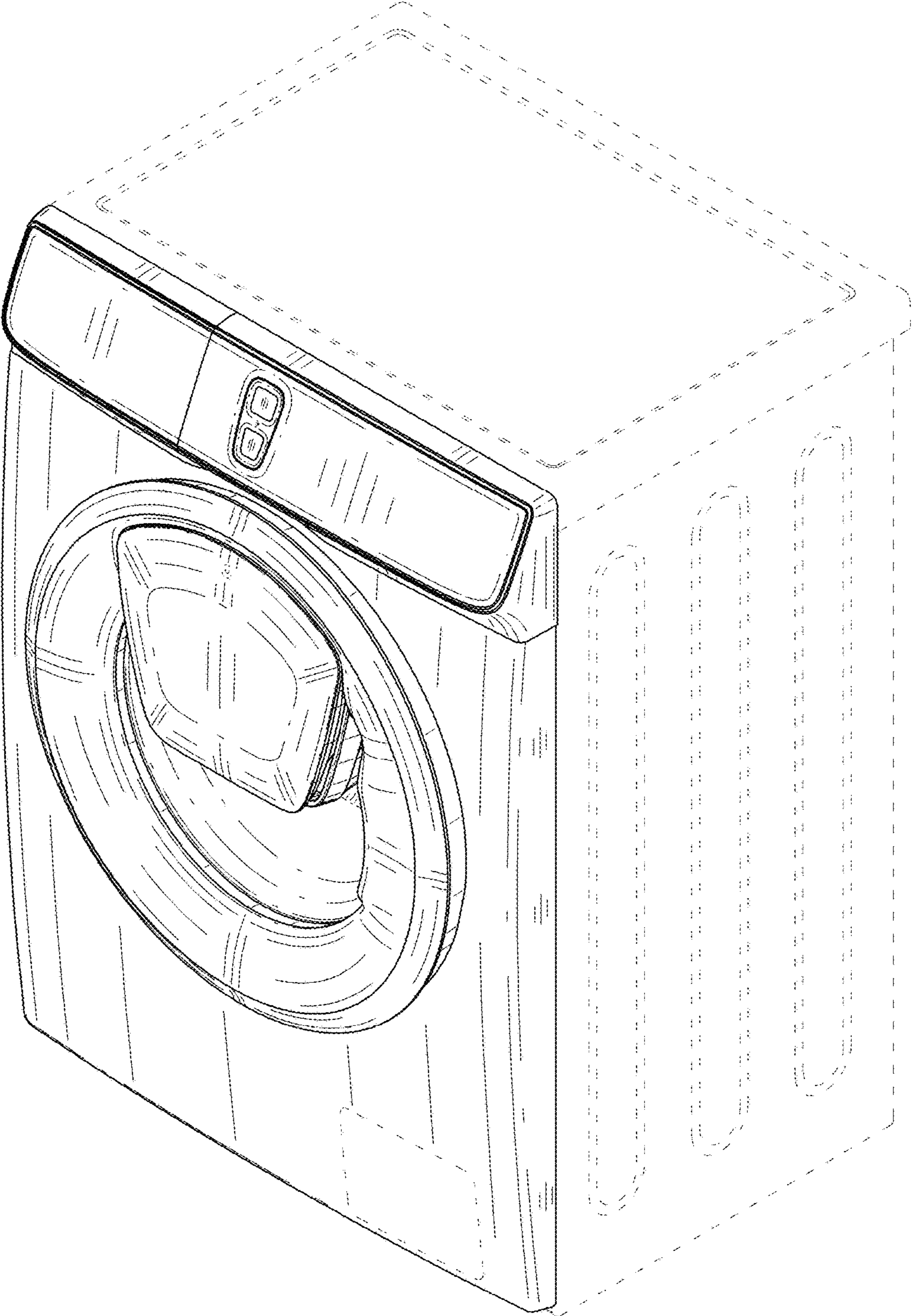


FIG. 2

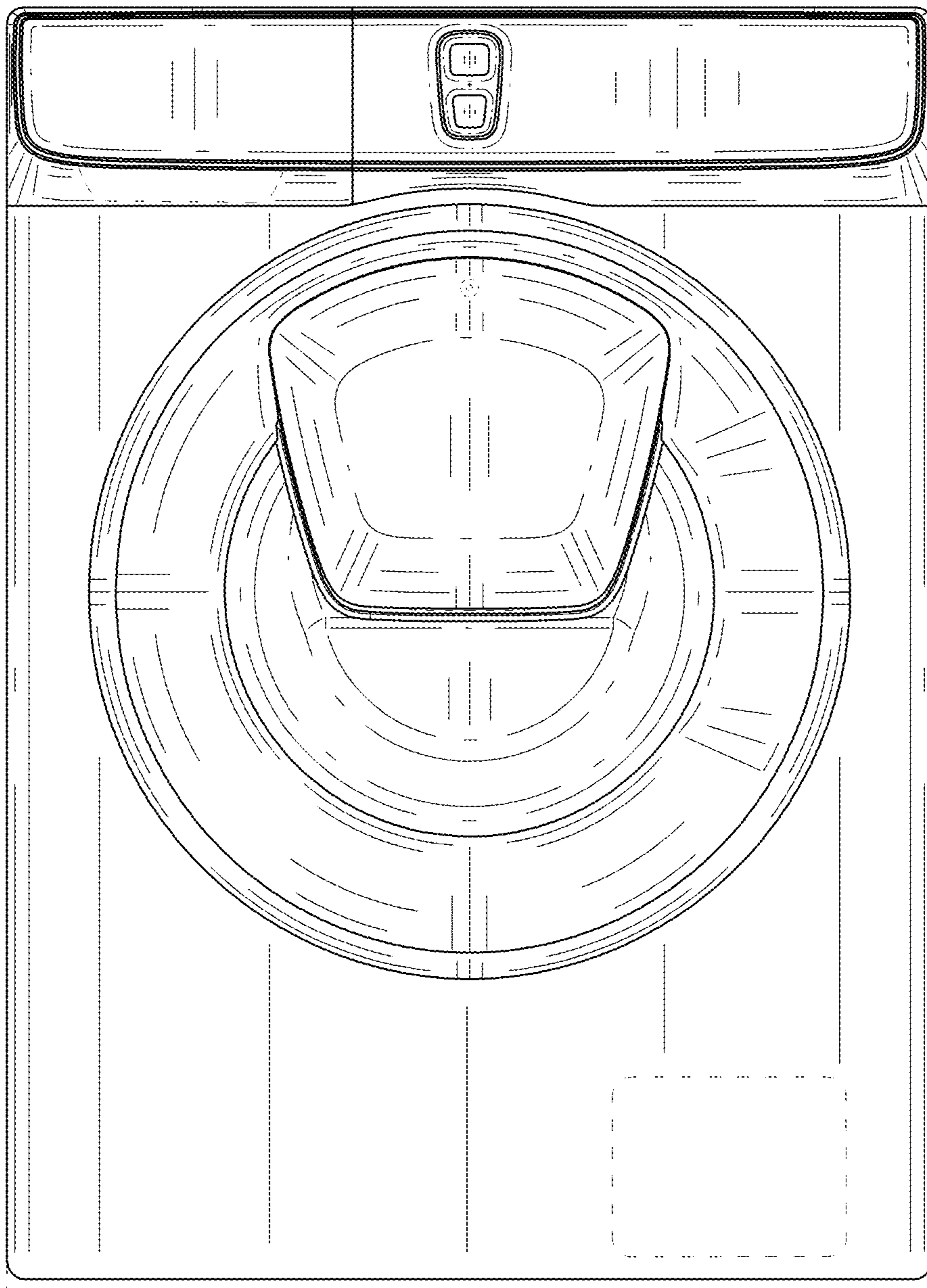


FIG. 3

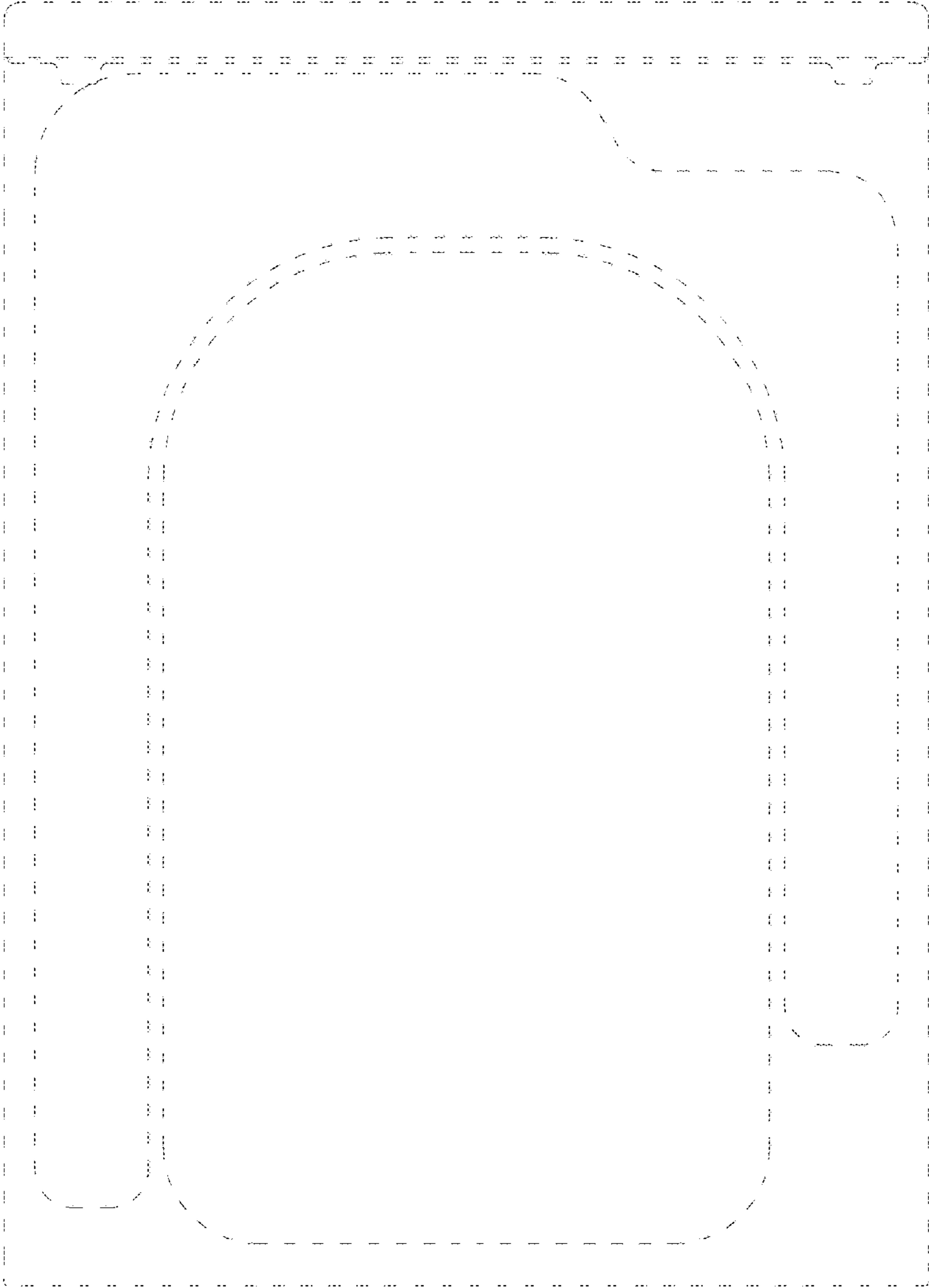


FIG. 4

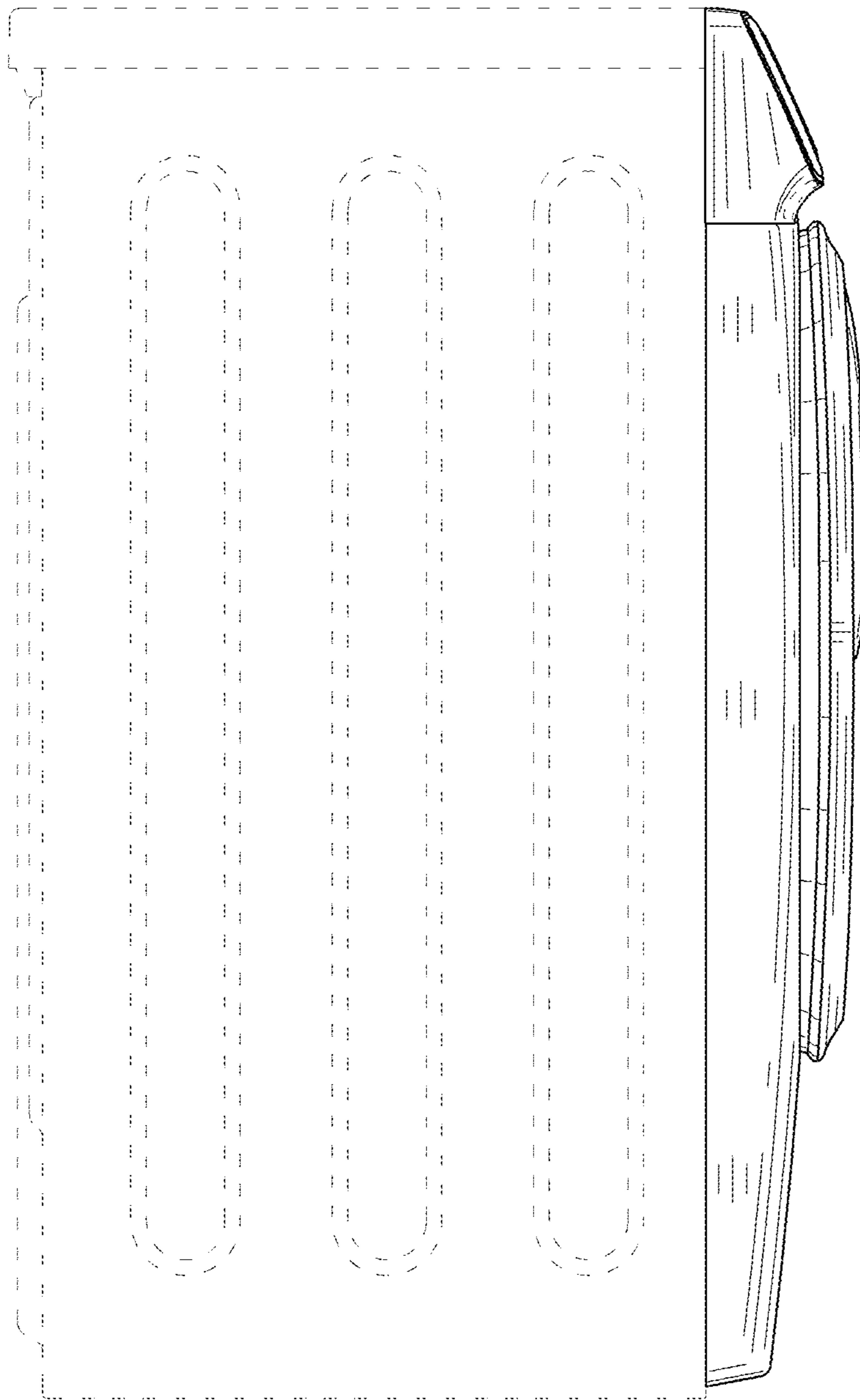


FIG. 5

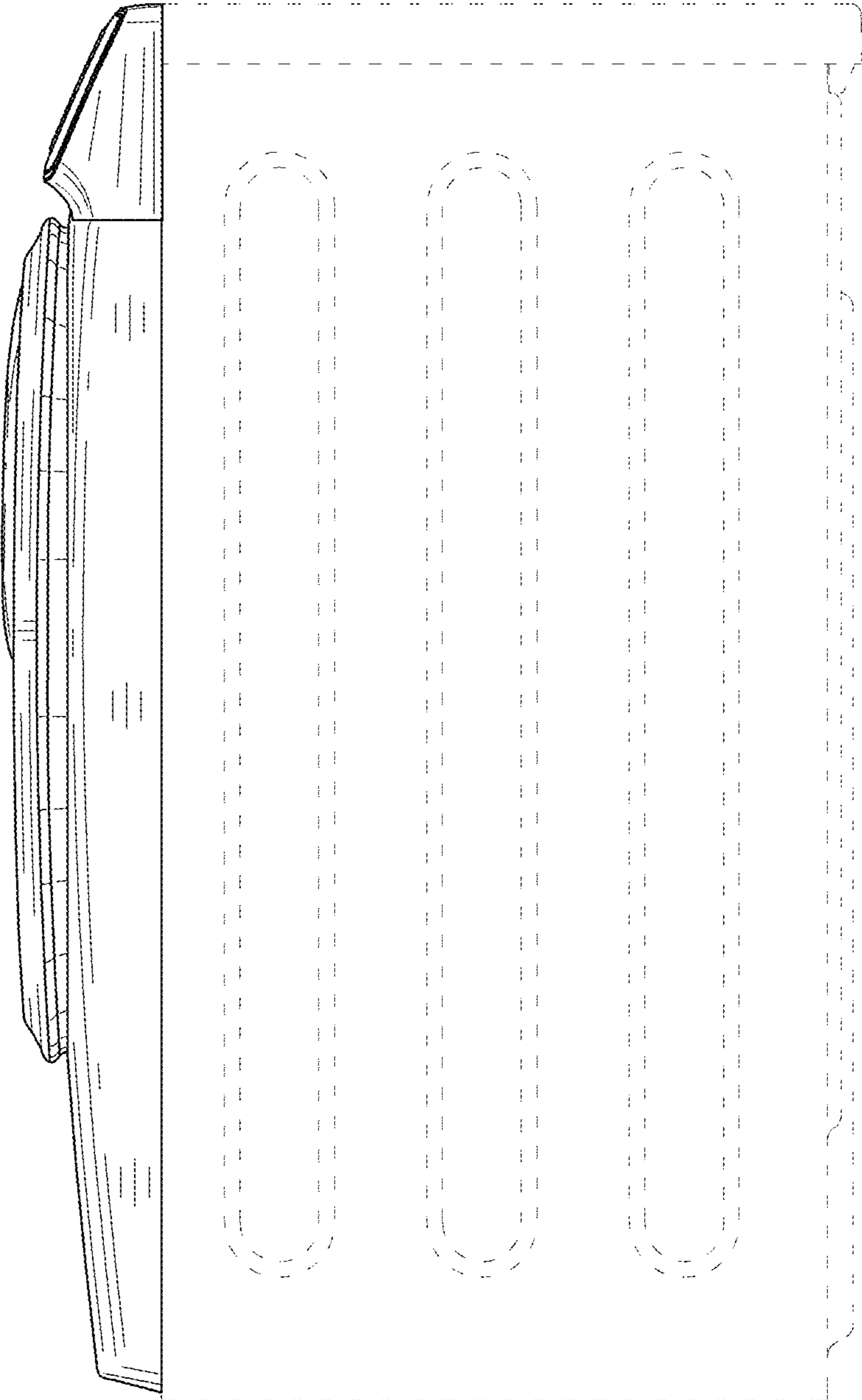


FIG. 6

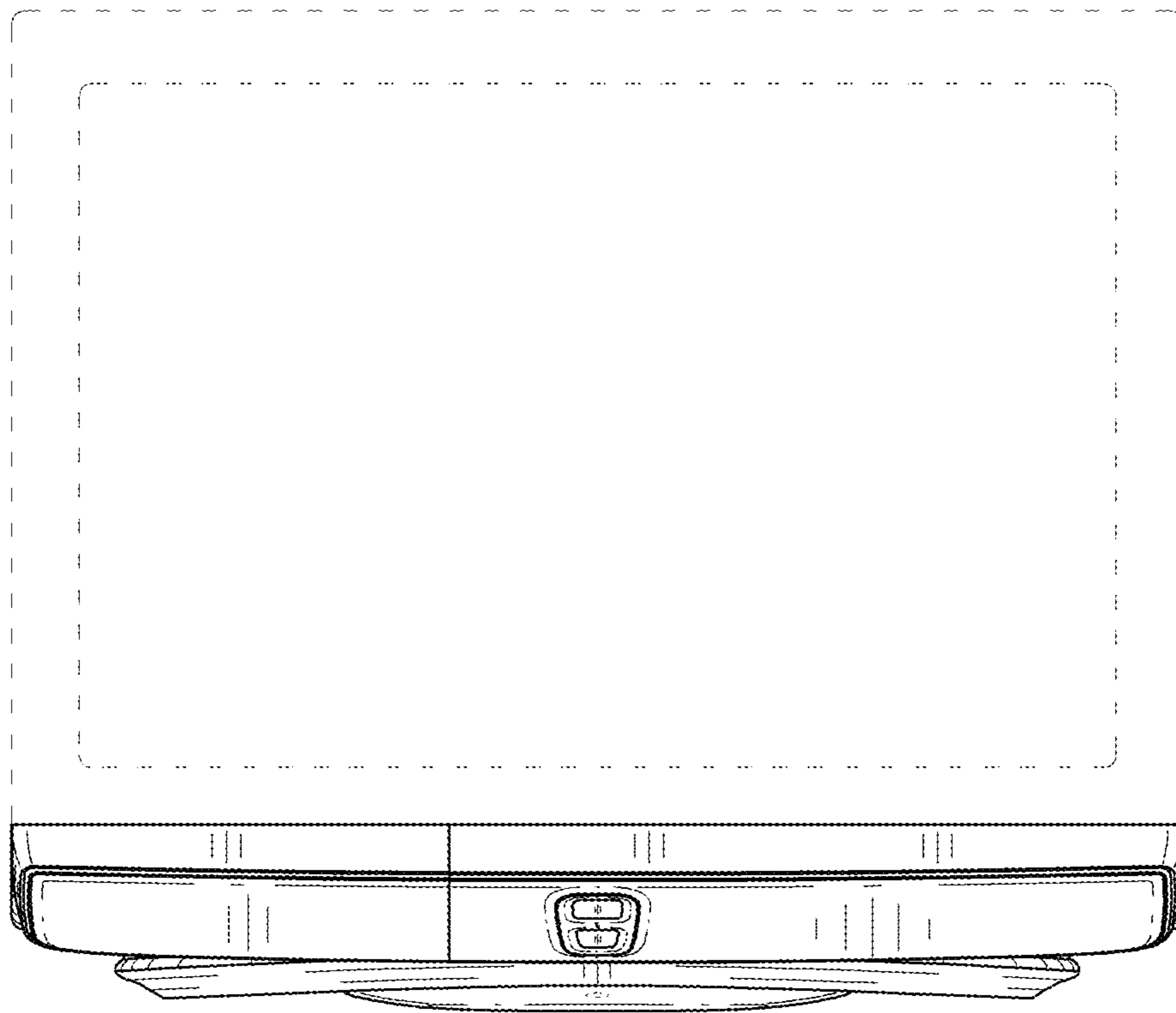


FIG. 7

