



US00D809712S

(12) **United States Design Patent** (10) **Patent No.:** **US D809,712 S**  
**Goodman et al.** (45) **Date of Patent:** **\*\* Feb. 6, 2018**

(54) **COUNTERTOP STYLING STATION**

D661,487 S \* 6/2012 Kraemer ..... D3/304  
D692,488 S \* 10/2013 Hu ..... D19/77  
D707,397 S \* 6/2014 Cooper ..... D28/38  
D764,912 S \* 8/2016 Houyoux ..... D28/73

(71) Applicant: **Spectrum Diversified Designs, Inc.**,  
Streetsboro, OH (US)

(Continued)

(72) Inventors: **Sheldon H. Goodman**, Solon, OH  
(US); **Phaysouk Xayoiphonh**, Akron,  
OH (US)

**OTHER PUBLICATIONS**

(73) Assignee: **Spectrum Diversified Designs, LLC**,  
Streetsboro, OH (US)

The Container Store, "Capelli Countertop Organizer by Umbra",  
Accessed Oct. 20, 2016. Reviewed as early as Sep. 1, 2011.  
(<http://www.containerstore.com/s/bath/hair-care/capelli-countertop-organizer-by-umbra/12d?productId=10025824>).\*

(\*\*) Term: **15 Years**

(Continued)

(21) Appl. No.: **29/533,196**

*Primary Examiner* — Jennifer Rivard

(22) Filed: **Jul. 15, 2015**

*Assistant Examiner* — April Rivas

(51) **LOC (11) Cl.** ..... **03-01**

(74) *Attorney, Agent, or Firm* — Benesch, Friedlander,  
Coplan & Aronoff LLP

(52) **U.S. Cl.**

USPC ..... **D28/38**; D28/73

(58) **Field of Classification Search**

USPC ..... D3/304, 310, 311, 313, 314, 315, 903,  
D3/901; D28/73, 38, 74, 18, 10, 20;  
D19/105, 75; D8/71; D6/512, 513, 514,  
D6/524, 527, 531; D7/600.1

CPC ... A45D 20/14; A45D 2020/126; A45D 20/12  
See application file for complete search history.

(57) **CLAIM**

What is claimed is the ornamental design for a countertop  
styling station, as shown and described.

**DESCRIPTION**

(56) **References Cited**

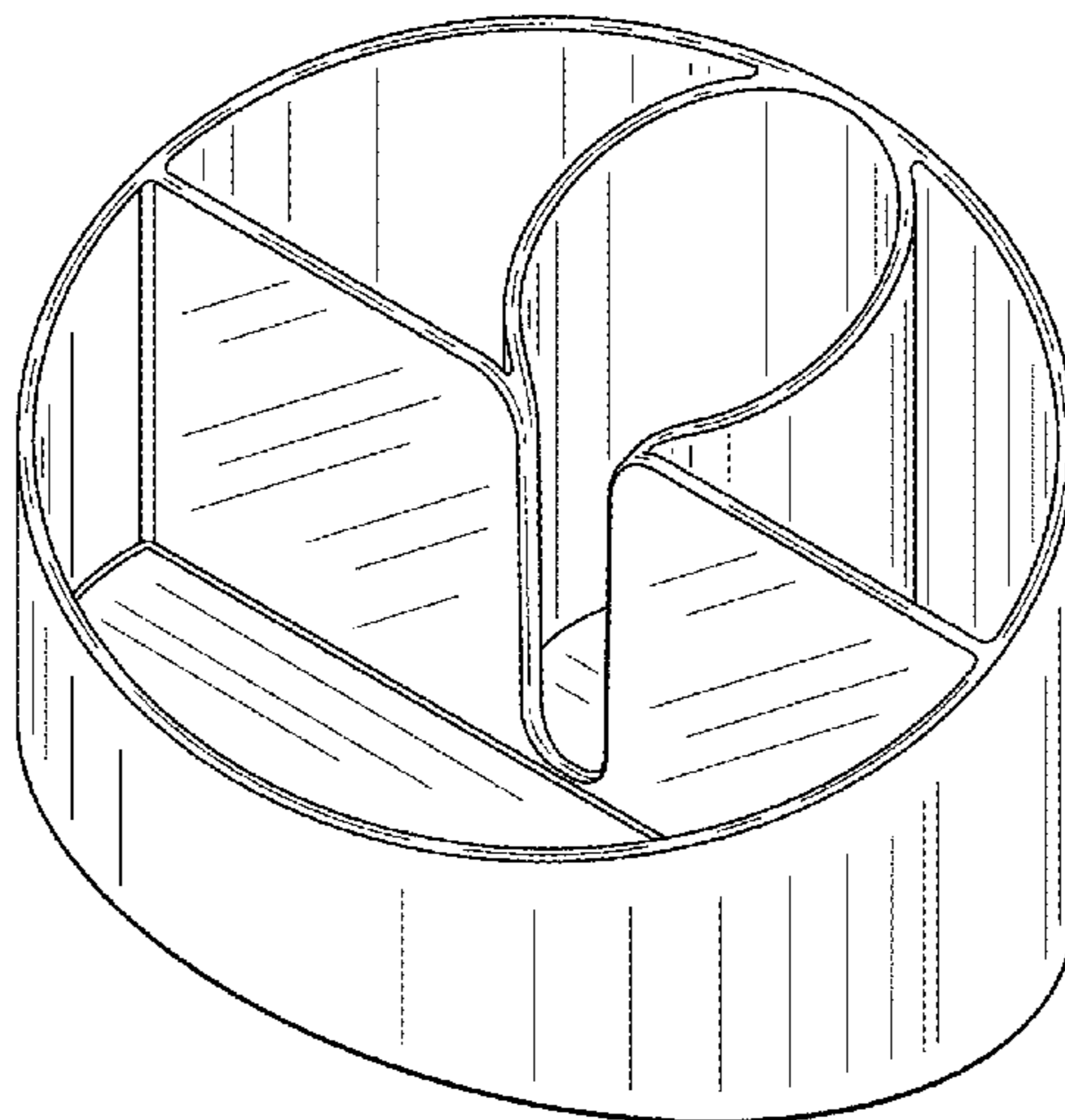
**U.S. PATENT DOCUMENTS**

D117,401 S \* 10/1939 Long, Jr. et al. .... D28/73  
D281,929 S \* 12/1985 Strobel ..... D28/76  
D385,112 S \* 10/1997 Birnbaum ..... D19/78  
D398,449 S \* 9/1998 Hsu ..... D19/85  
D414,001 S \* 9/1999 Crotte ..... D19/77  
D477,915 S \* 8/2003 Slight ..... D3/313  
D525,657 S \* 7/2006 Warren, III ..... D19/77  
D556,407 S \* 11/2007 Snell ..... D19/75  
D559,464 S \* 1/2008 Singh ..... D28/73  
D562,558 S \* 2/2008 Bryan ..... D3/315  
D629,635 S \* 12/2010 Raven ..... D6/524  
D642,736 S \* 8/2011 Reidy ..... D28/18

FIG. 1 is a perspective view of a countertop styling station  
showing a new design;  
FIG. 2 is a front view of the countertop styling station of  
FIG. 1;  
FIG. 3 is a rear view of the countertop styling station of FIG.  
1;  
FIG. 4 is a side view of the countertop styling station of FIG.  
1;  
FIG. 5 is a top view of the countertop styling station of FIG.  
1; and,  
FIG. 6 is a bottom view of the countertop styling station of  
FIG. 1.

The broken lines illustrate the bounds of the countertop  
styling station and form no part of the claimed design.

**1 Claim, 4 Drawing Sheets**



(56)

**References Cited**

U.S. PATENT DOCUMENTS

2005/0091864 A1\* 5/2005 Sullivan ..... A45D 20/12  
34/90

OTHER PUBLICATIONS

All Modern, "Step Toothbrush Holder", Accessed Oct. 20, 2016.  
Reviewed as early as May 27, 2016. ([https://www.allmodern.com/  
Umbral-Step-Toothbrush-Holder-023836-UMB2461.html](https://www.allmodern.com/Umbral-Step-Toothbrush-Holder-023836-UMB2461.html)).\*

\* cited by examiner

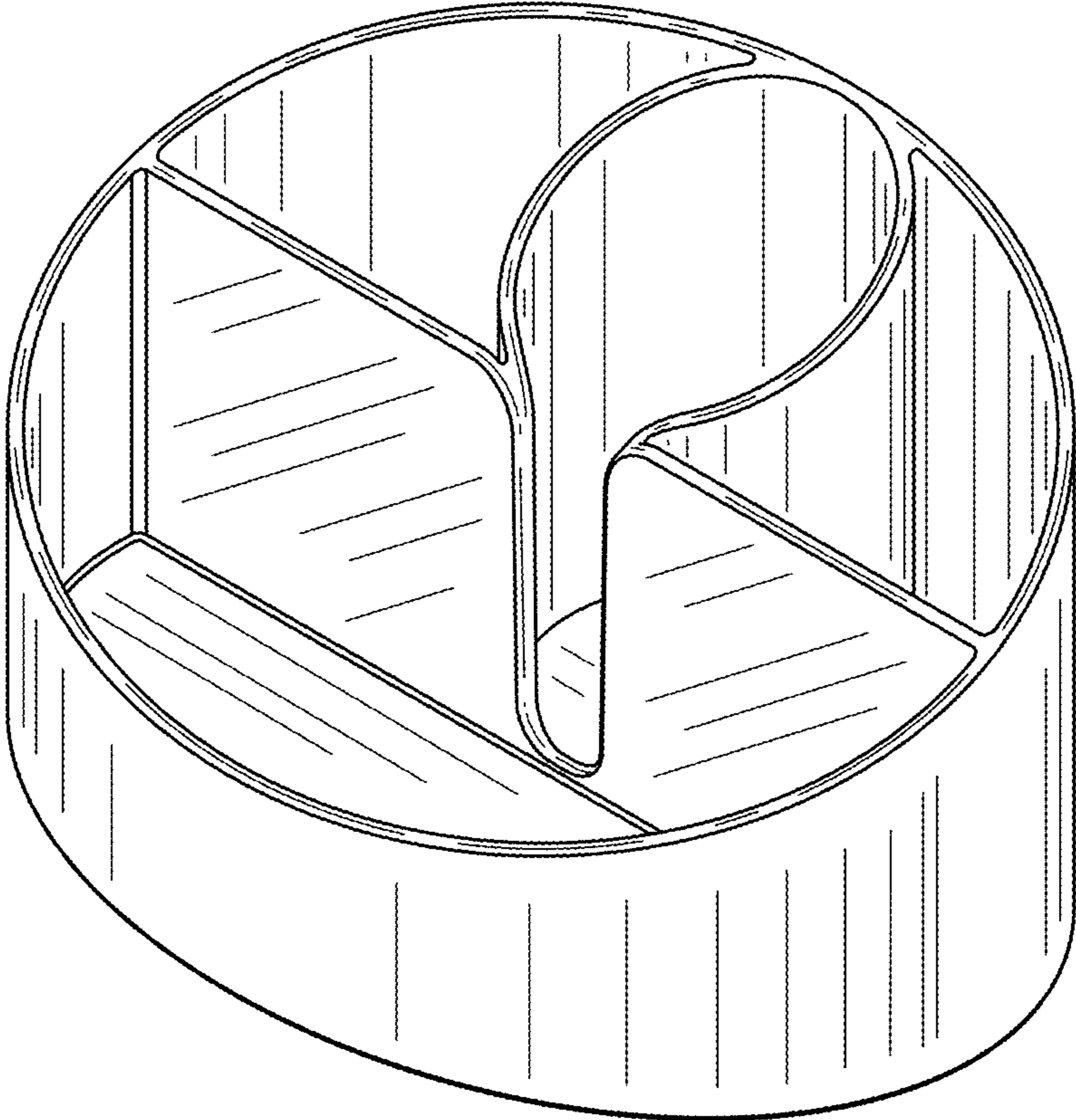


FIG. 1

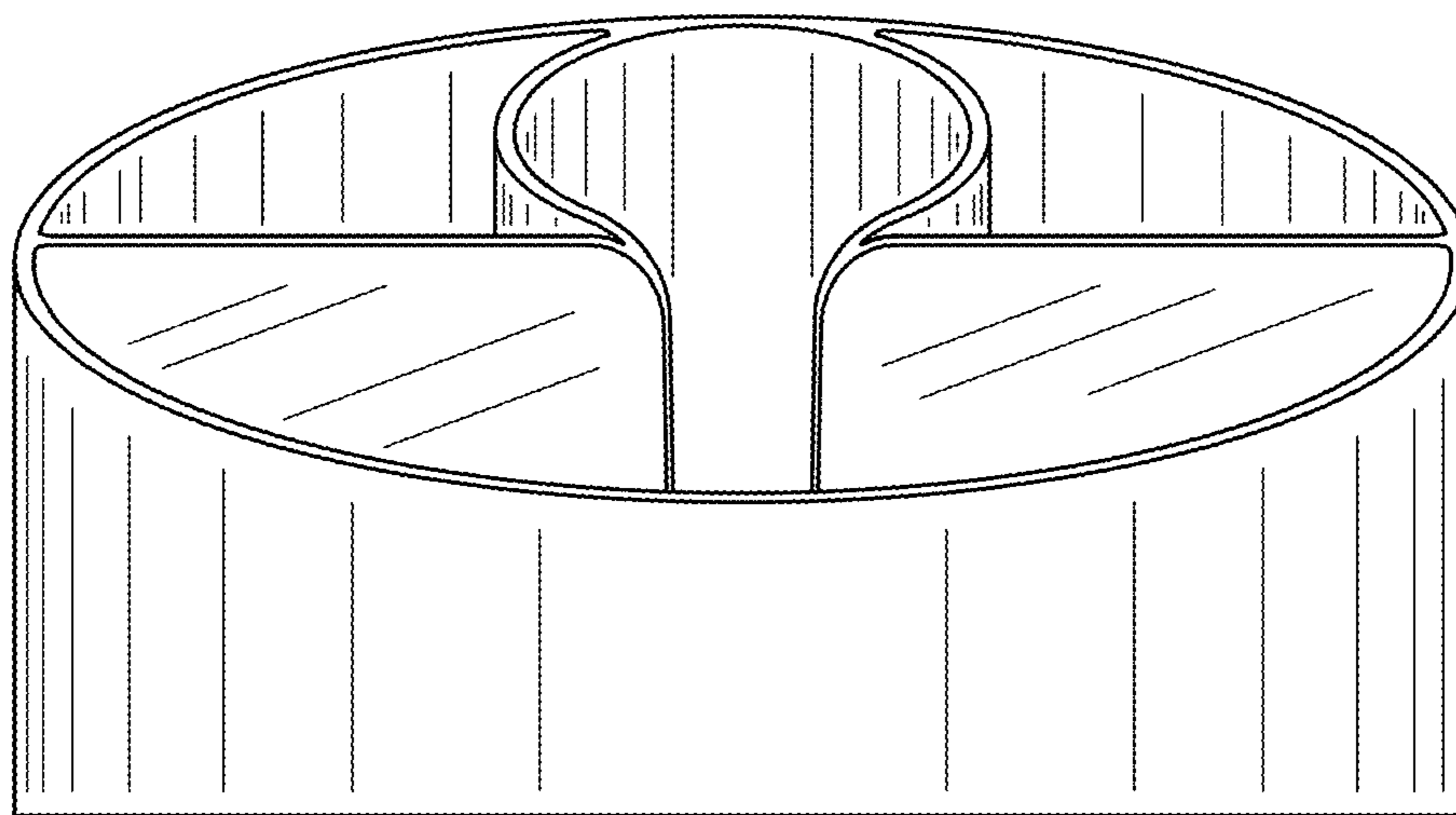


FIG. 2

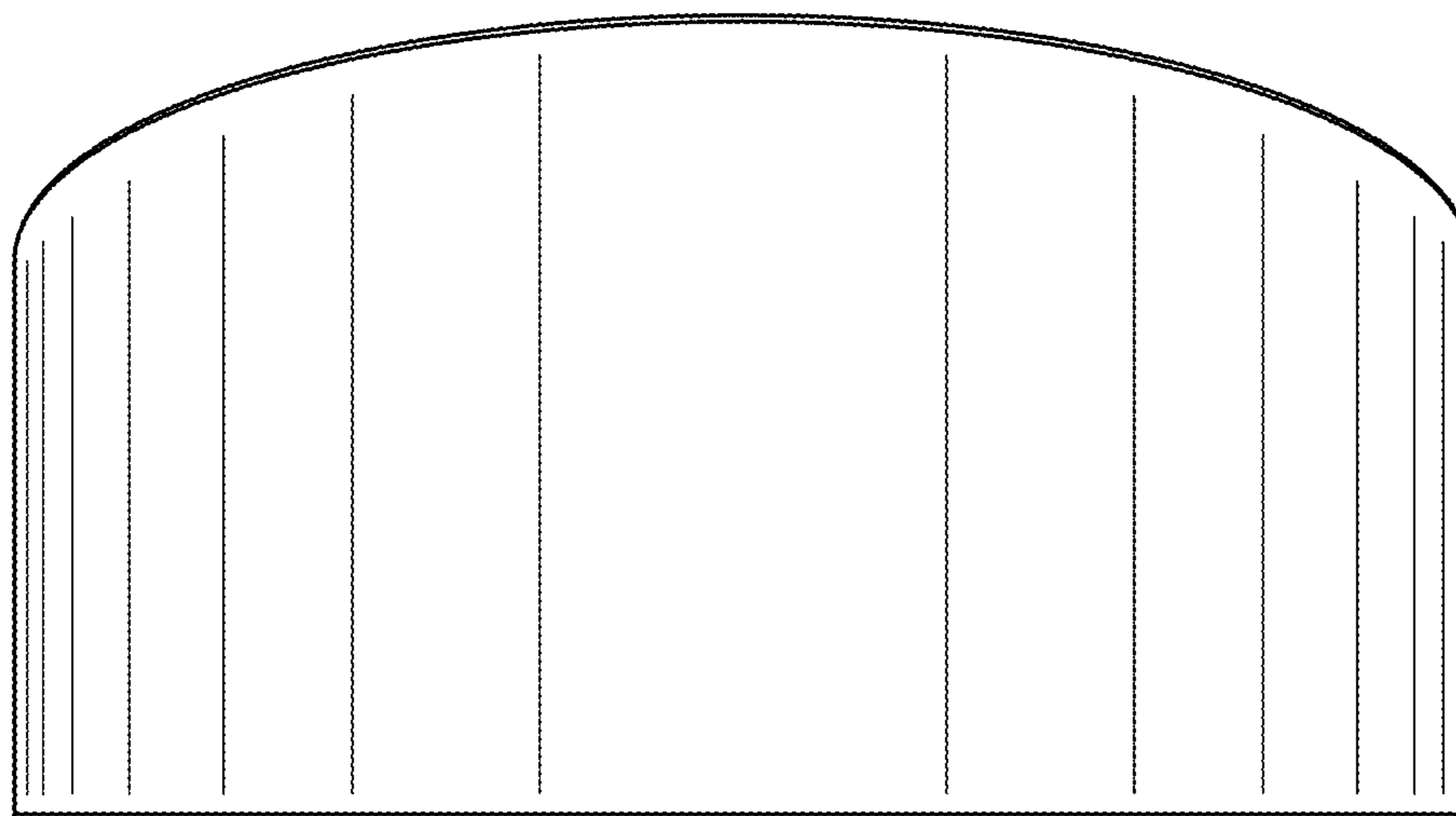


FIG. 3

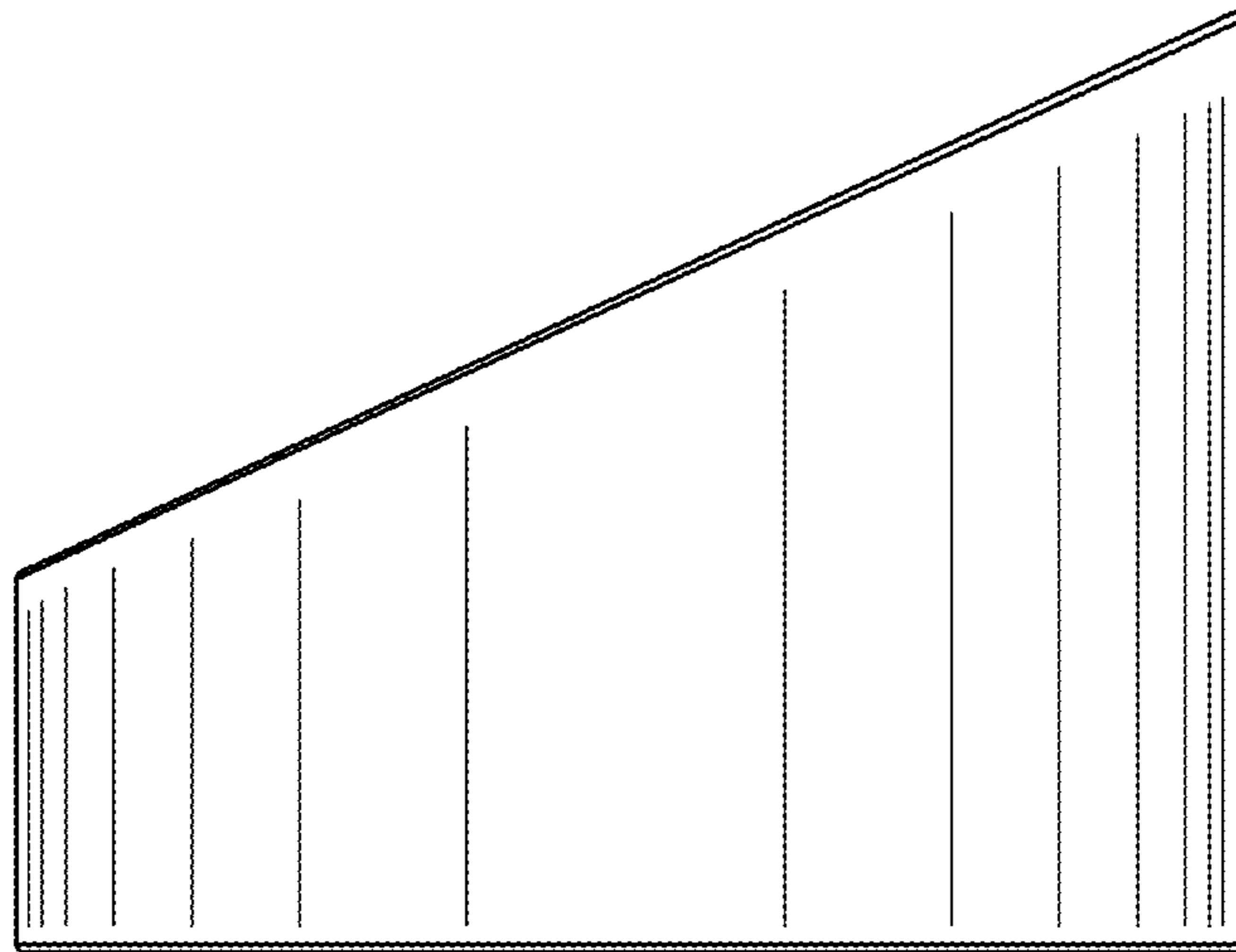


FIG. 4

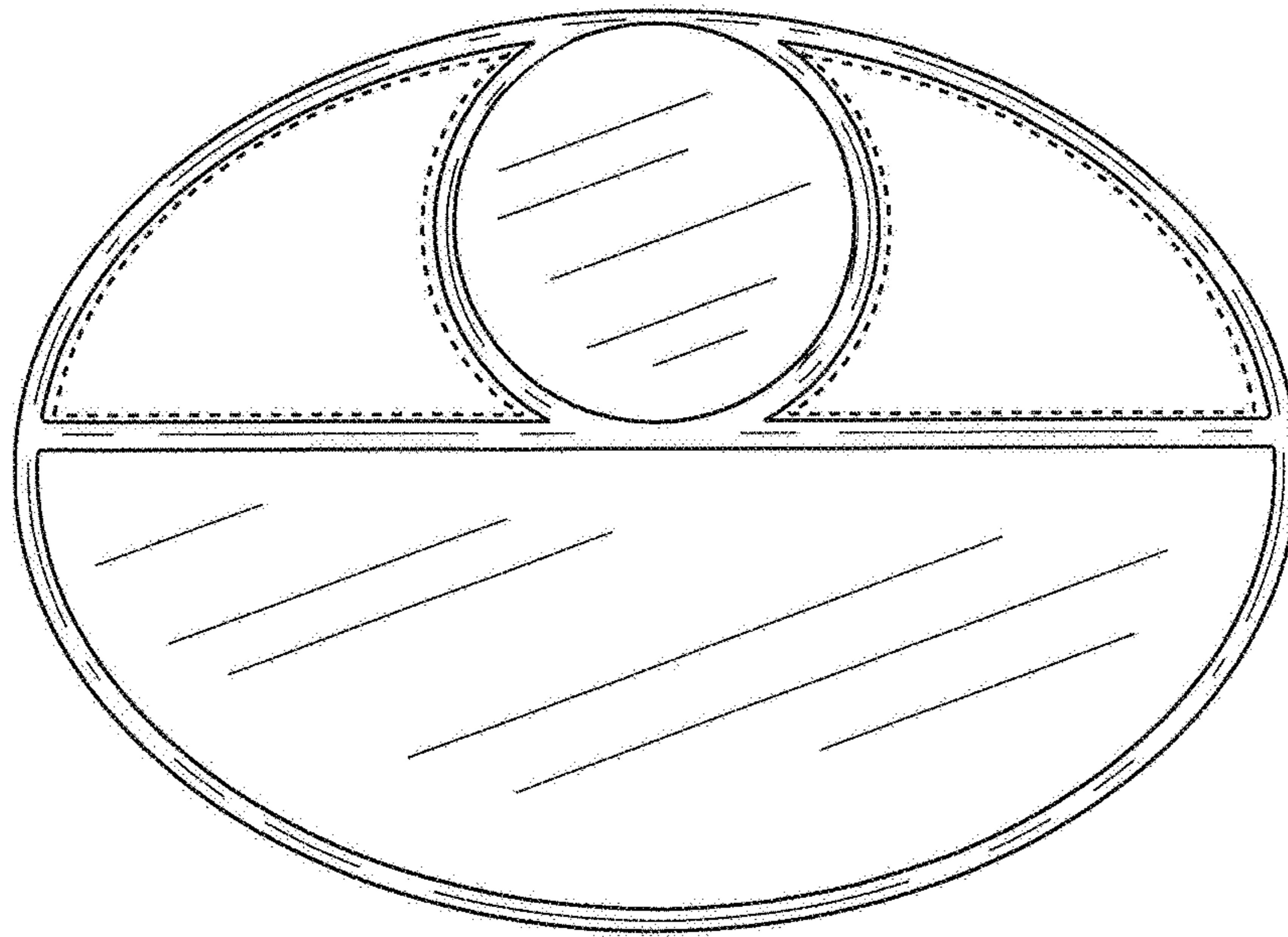


FIG. 5

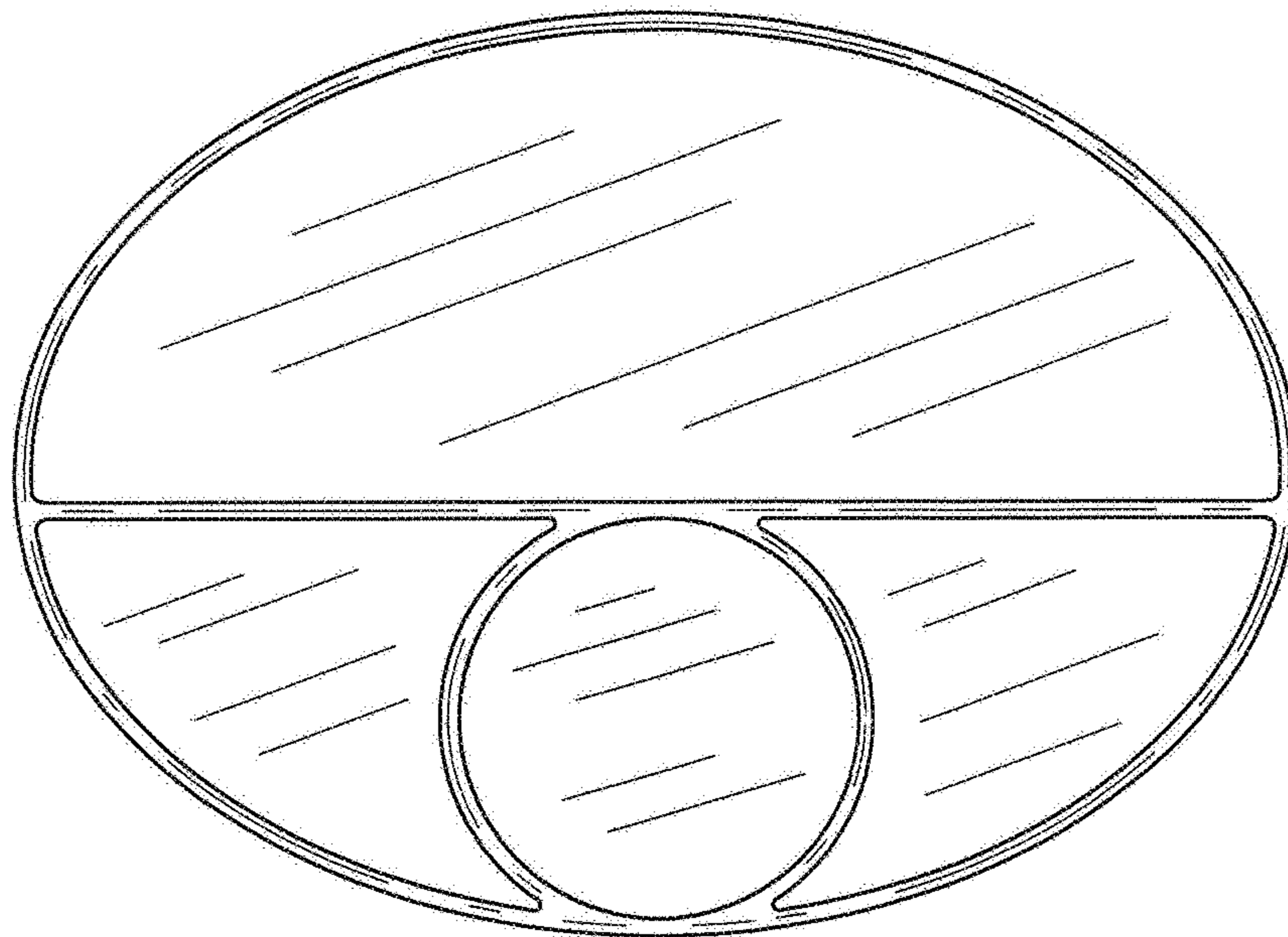


FIG. 6