



US00D809711S

(12) **United States Design Patent** (10) **Patent No.:** **US D809,711 S**
Albano et al. (45) **Date of Patent:** **** Feb. 6, 2018**

(54) **REFILL CONTAINER FOR COSMETIC PRODUCTS**

(71) Applicant: **Natura Cosméticos S.A.**, Itapeverica da Serra (BR)

(72) Inventors: **Fulvio Gargano Albano**, Cajamar (BR); **Tomás Miller Tavares de Macedo**, São Paulo (BR); **Fernanda Saboia Salles**, São Paulo (BR); **Juliana Ahualli Pires Morgado**, Cajamar (BR)

(73) Assignee: **NATURA COSMÉTICOS S.A.**, São Paulo-SP (BR)

(**) Term: **15 Years**

(21) Appl. No.: **29/529,355**

(22) Filed: **Jun. 5, 2015**

(51) **LOC (11) Cl.** **28-03**

(52) **U.S. Cl.**
USPC **D28/9**

(58) **Field of Classification Search**
USPC D28/9, 73, 76-77, 84; D6/567; D9/425, D9/428

(Continued)

(56) **References Cited**

U.S. PATENT DOCUMENTS

D369,971 S * 5/1996 Brauner D9/428
5,626,256 A * 5/1997 Onneweer A47J 43/0727
220/574

(Continued)

FOREIGN PATENT DOCUMENTS

CA 2919016 A1 * 3/2015 A45D 7/04
EP 1602588 B1 * 4/2013 A45D 19/00

Primary Examiner — Jennifer Rivard

(74) *Attorney, Agent, or Firm* — B. Aaron Schulman, Esq.; Stites & Harbison, PLLC

(57) **CLAIM**

The ornamental design for a refill container for cosmetic products, as shown and described.

DESCRIPTION

FIG. 1 is a perspective view taken from the top, front, and right side of the refill container for cosmetic products in accordance with a first embodiment of the present invention. FIG. 2 is a front elevation view of the refill container for cosmetic products of FIG. 1.

FIG. 3 is a rear elevation view of the refill container for cosmetic products of FIG. 1.

FIG. 4 is a left side elevation view of the refill container for cosmetic products of FIG. 1, the opposite side being a mirror image thereof.

FIG. 5 is a cross-section view of the refill container for cosmetic products as shown in FIG. 2.

FIG. 6 is a top plan view of the refill container for cosmetic products of FIG. 1.

FIG. 7 is a bottom plan view of the refill container for cosmetic products of FIG. 1.

FIG. 8 is a perspective view taken from the top, front, and right side of the refill container for cosmetic products in accordance with a second embodiment of the present invention.

FIG. 9 is a front elevation view of the refill container for cosmetic products of FIG. 8.

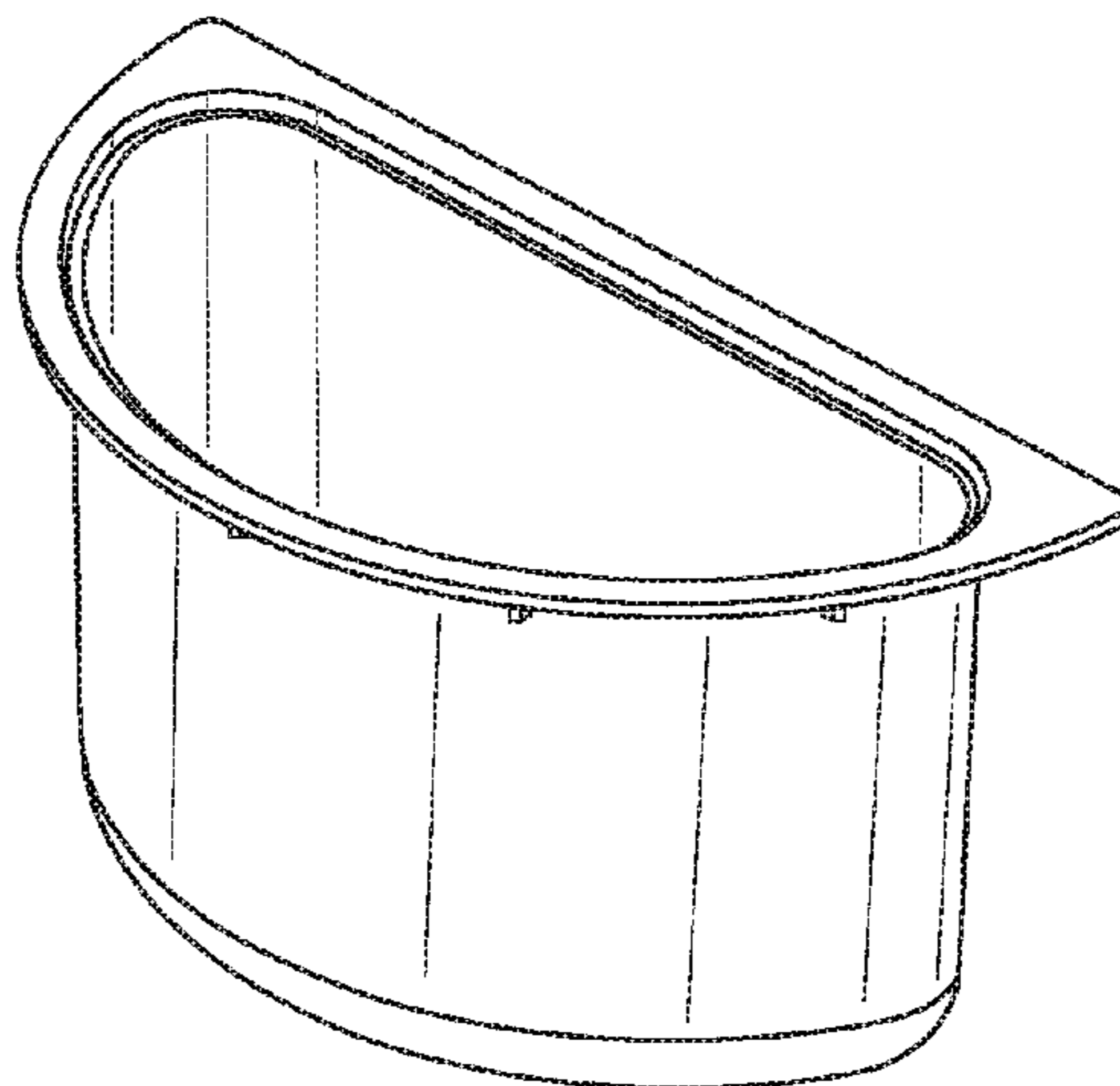
FIG. 10 is a left side elevation view of the refill container for cosmetic products of FIG. 8, the opposite side being a mirror image thereof.

FIG. 11 is a cross-section view of the refill container for cosmetic products shown of FIG. 9.

FIG. 12 is a top plan view of the refill container for cosmetic products of FIG. 8; and,

FIG. 13 is a bottom plan view of the refill container for cosmetic products of FIG. 8.

1 Claim, 5 Drawing Sheets



(58) **Field of Classification Search**

CPC A45D 33/006; A45D 33/00; A45D 40/24;
A45D 40/0068; A45D 34/00; A45D
19/06–19/12; A45D 2200/058

See application file for complete search history.

(56) **References Cited**

U.S. PATENT DOCUMENTS

D418,708	S	*	1/2000	Kanfer	D6/567
D535,842	S	*	1/2007	Wood	D6/567
D566,361	S	*	4/2008	Snell	D32/55
D577,913	S	*	10/2008	Thompson	D6/567
D682,087	S	*	5/2013	Bourguignon	D9/425
2008/0230436	A1	*	9/2008	Martins	A45D 33/006 206/581
2009/0014443	A1	*	1/2009	Skaife	A47J 36/027 219/734
2014/0061198	A1	*	3/2014	Seguin	A45D 33/006 220/378

* cited by examiner

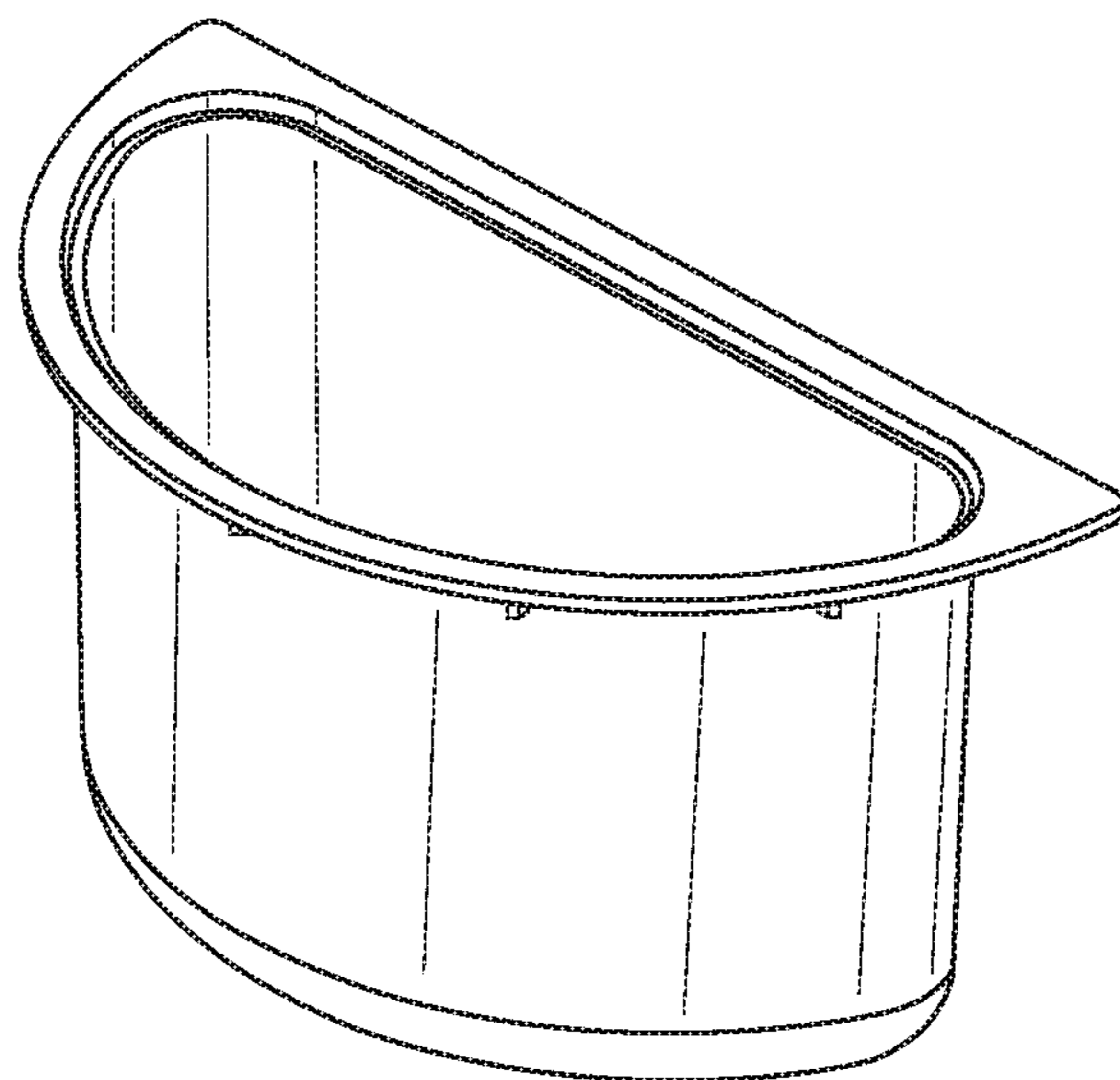


FIG. 1

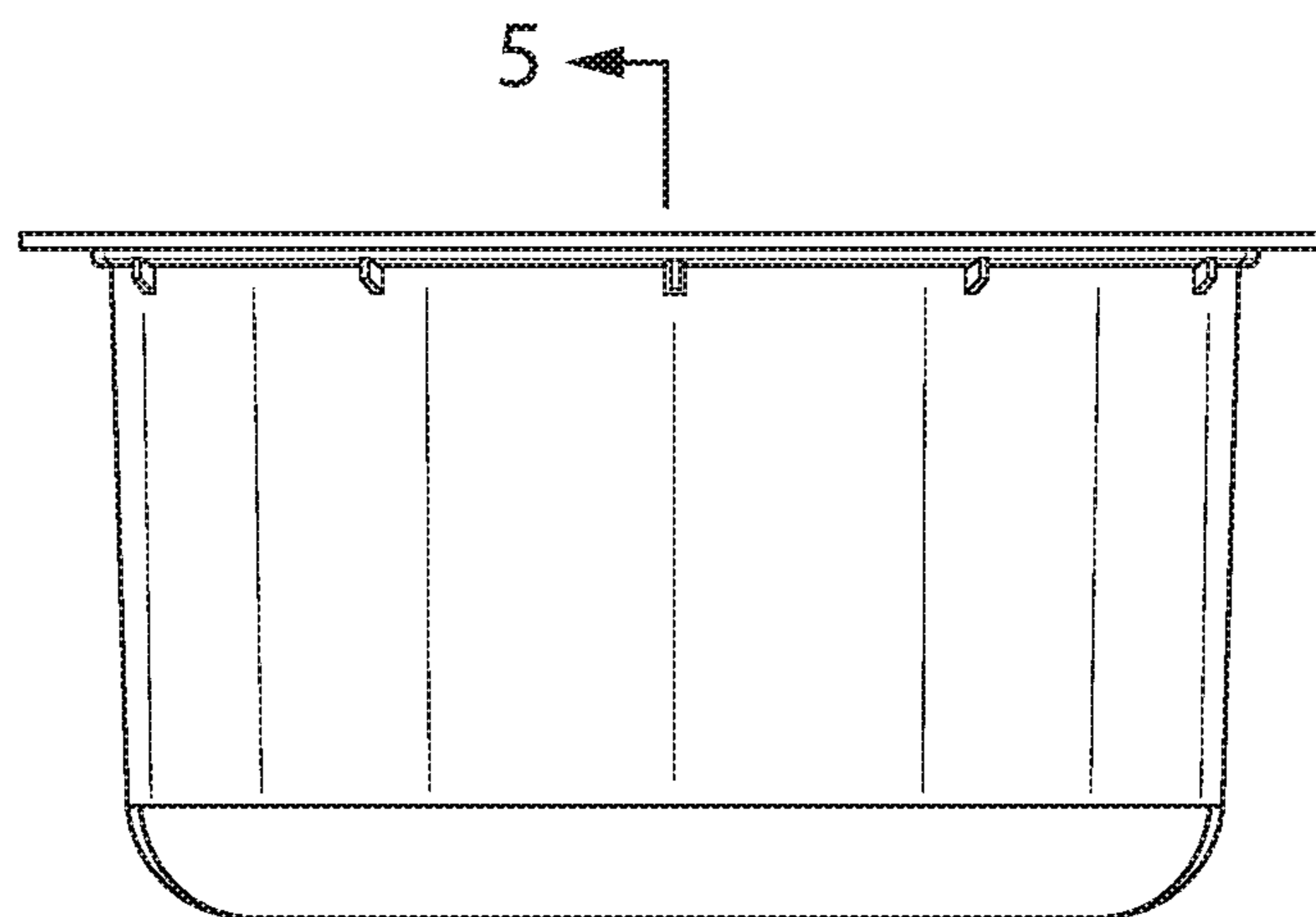


FIG. 2

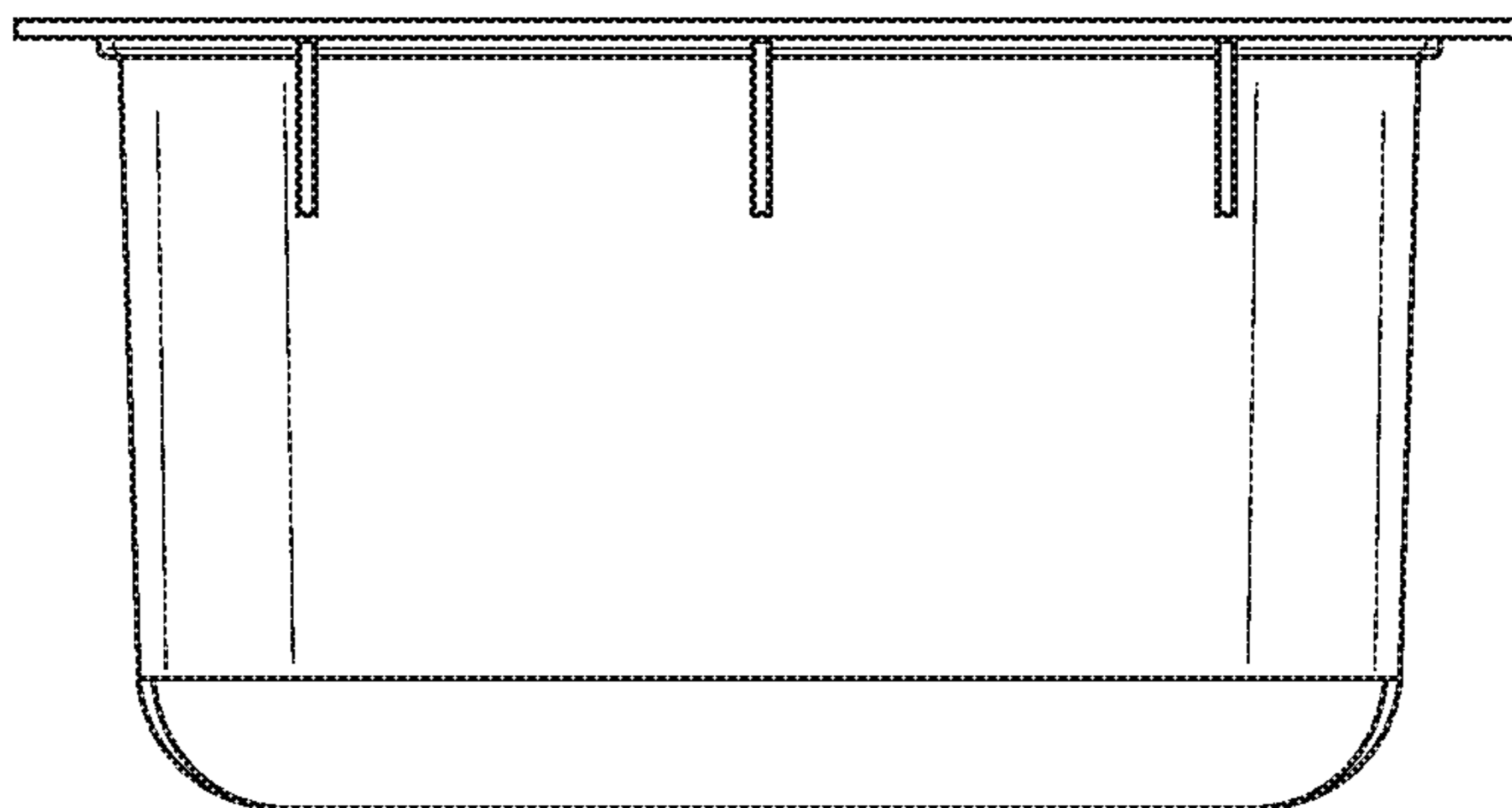


FIG. 3

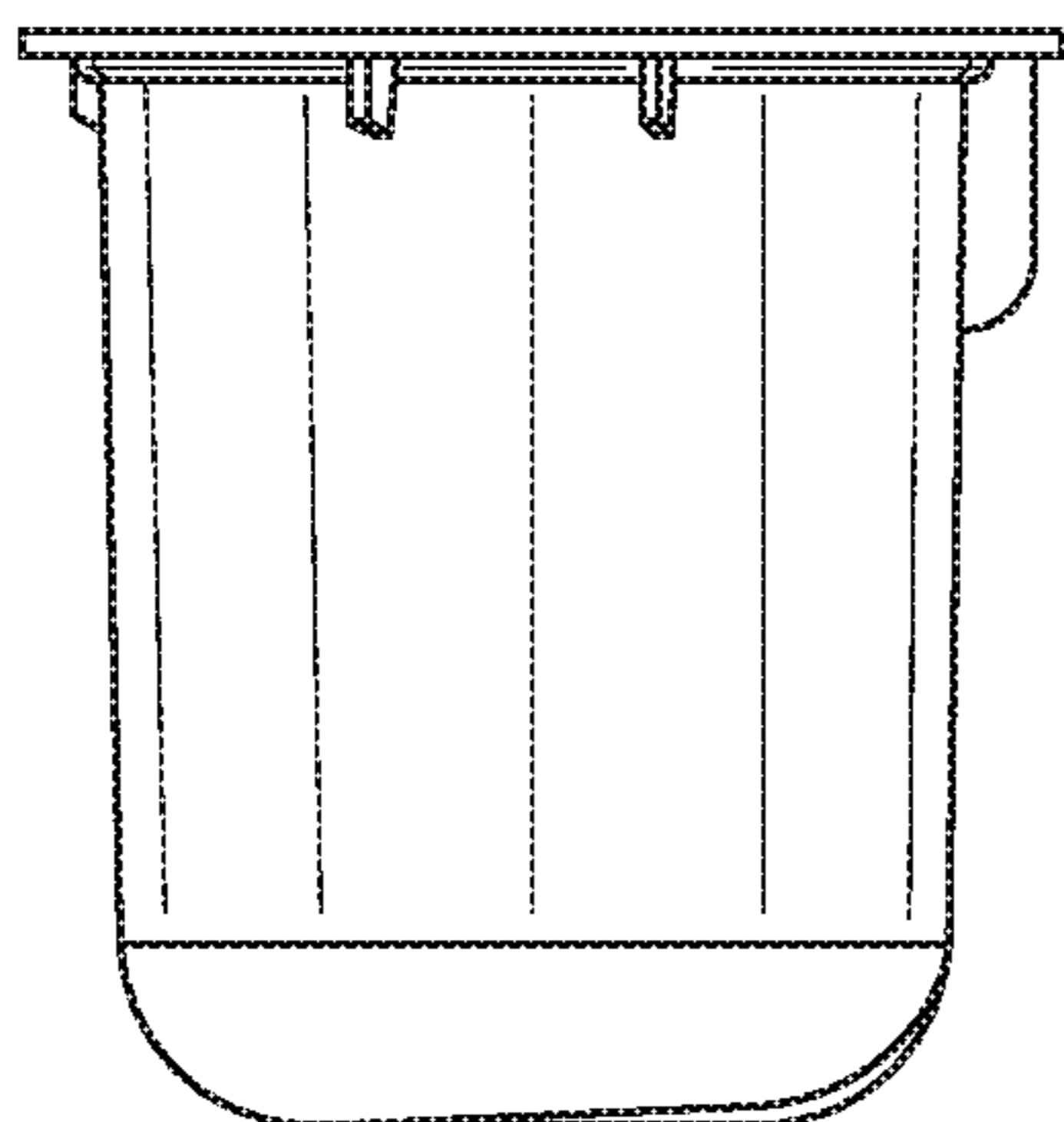


FIG. 4

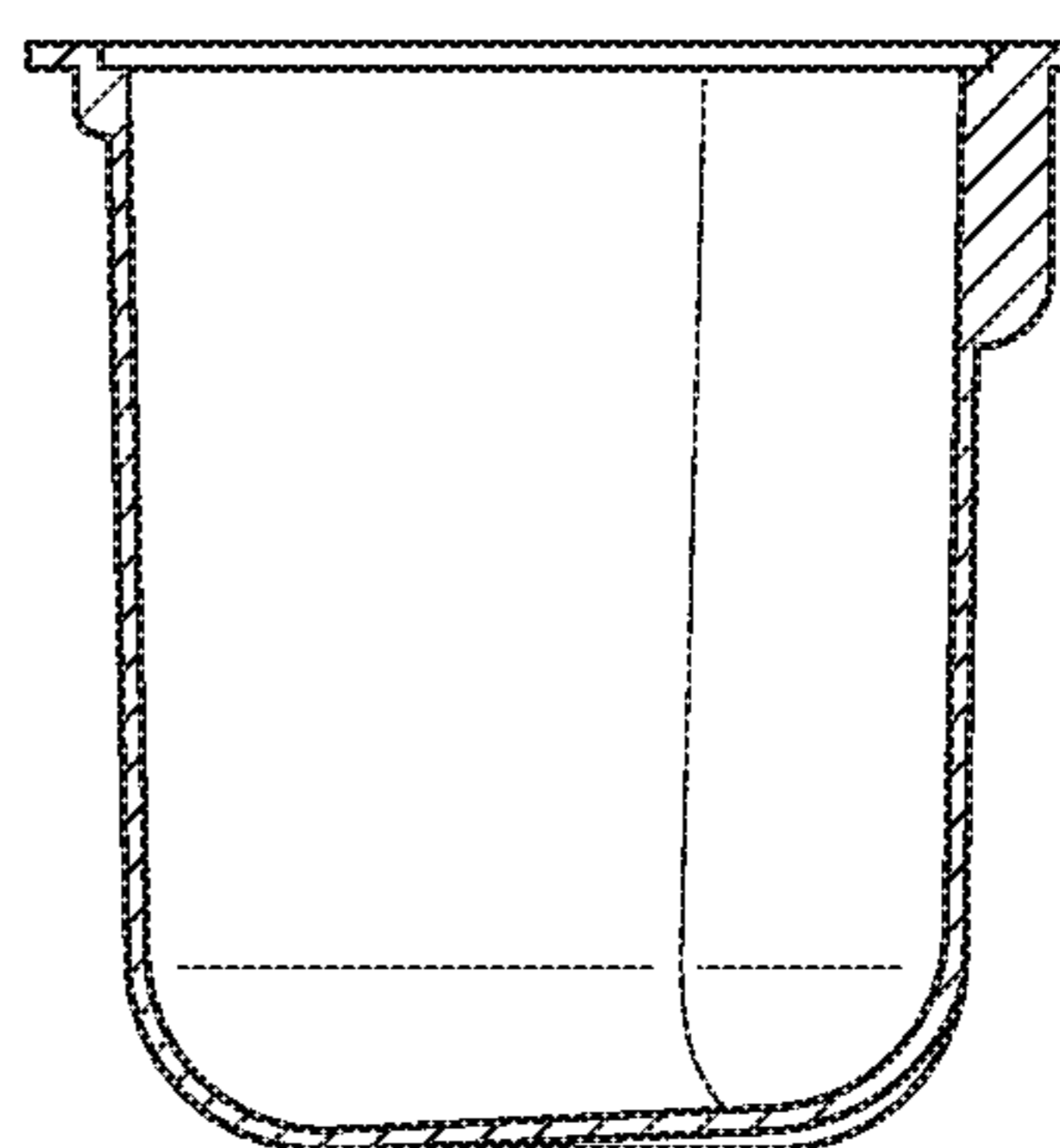


FIG. 5

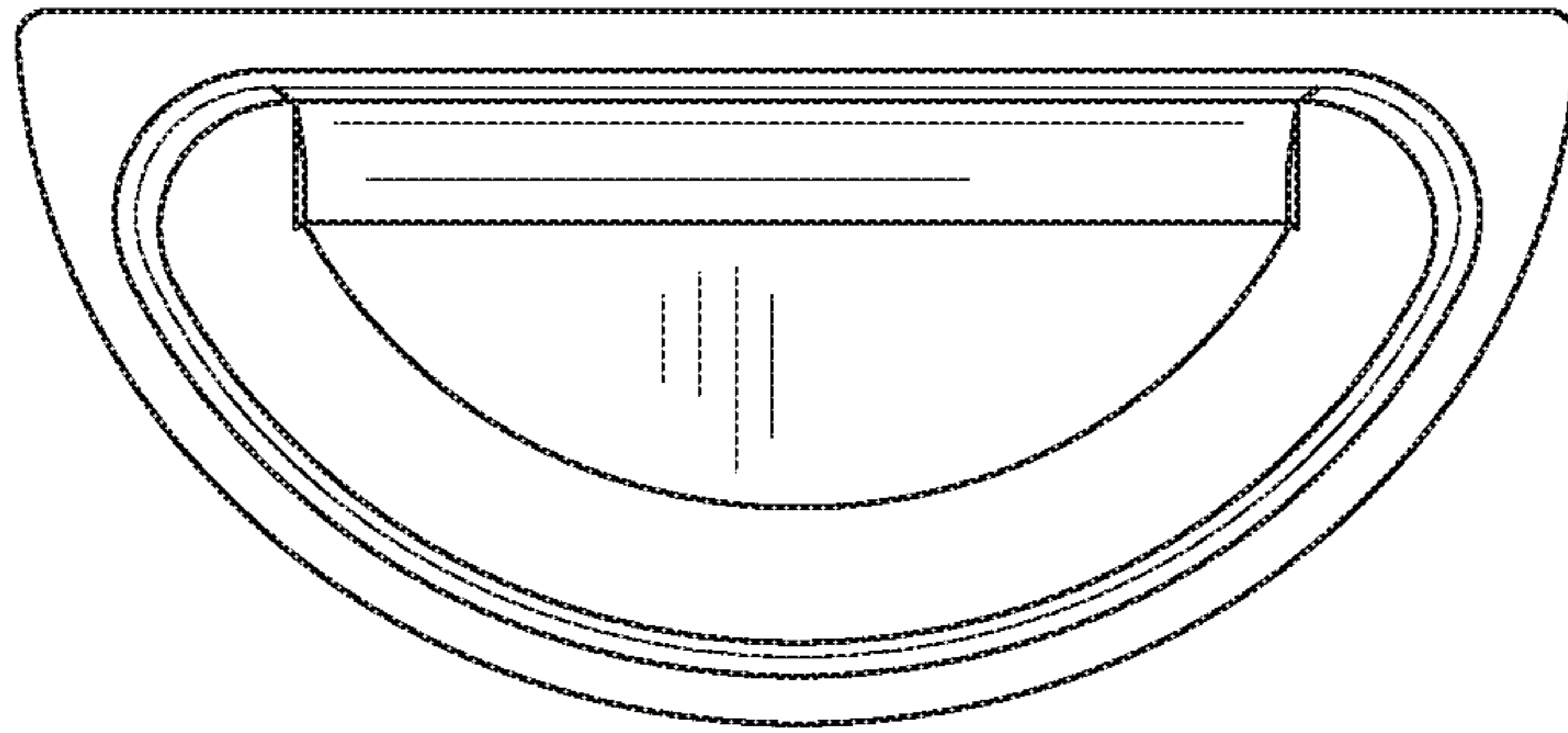


FIG. 6

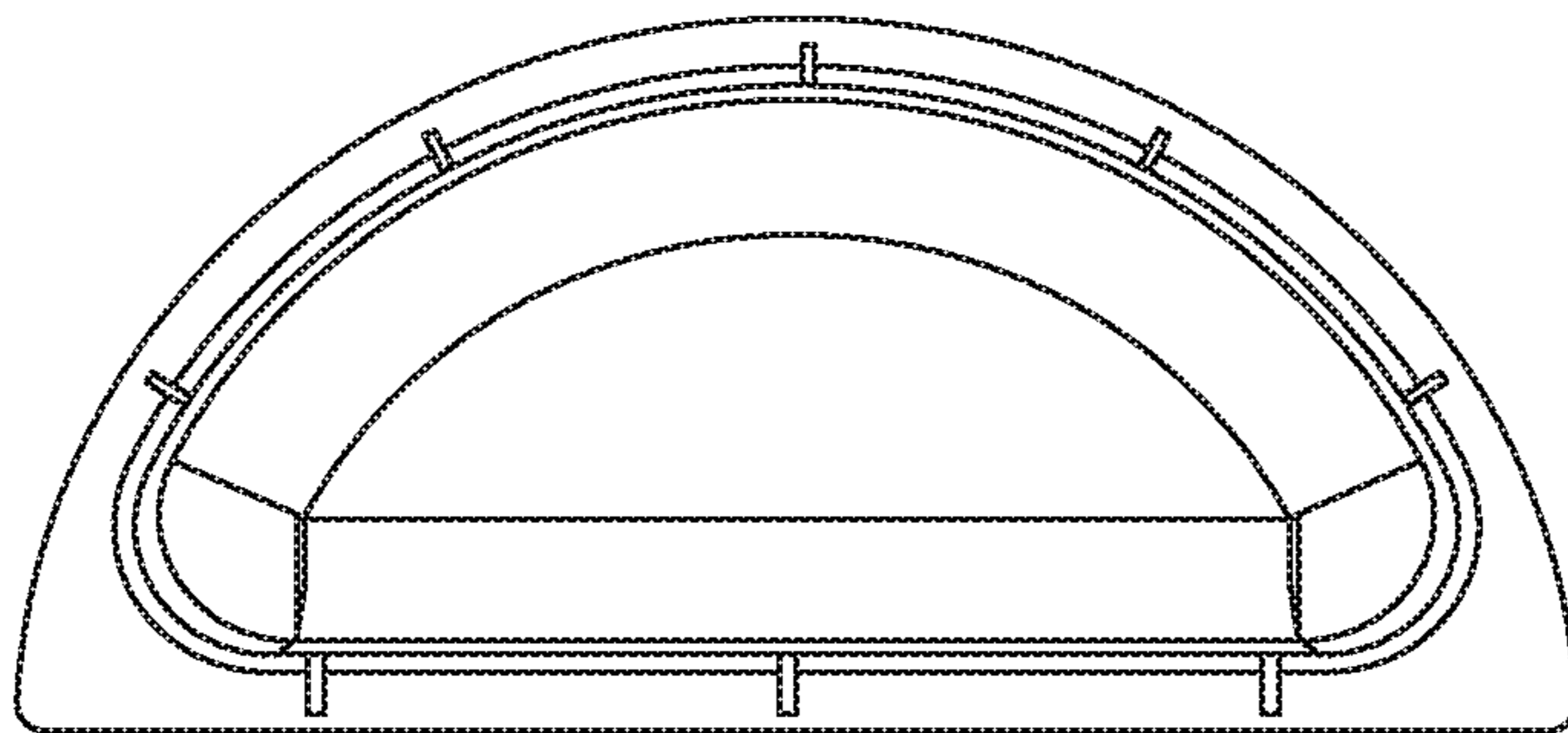


FIG. 7

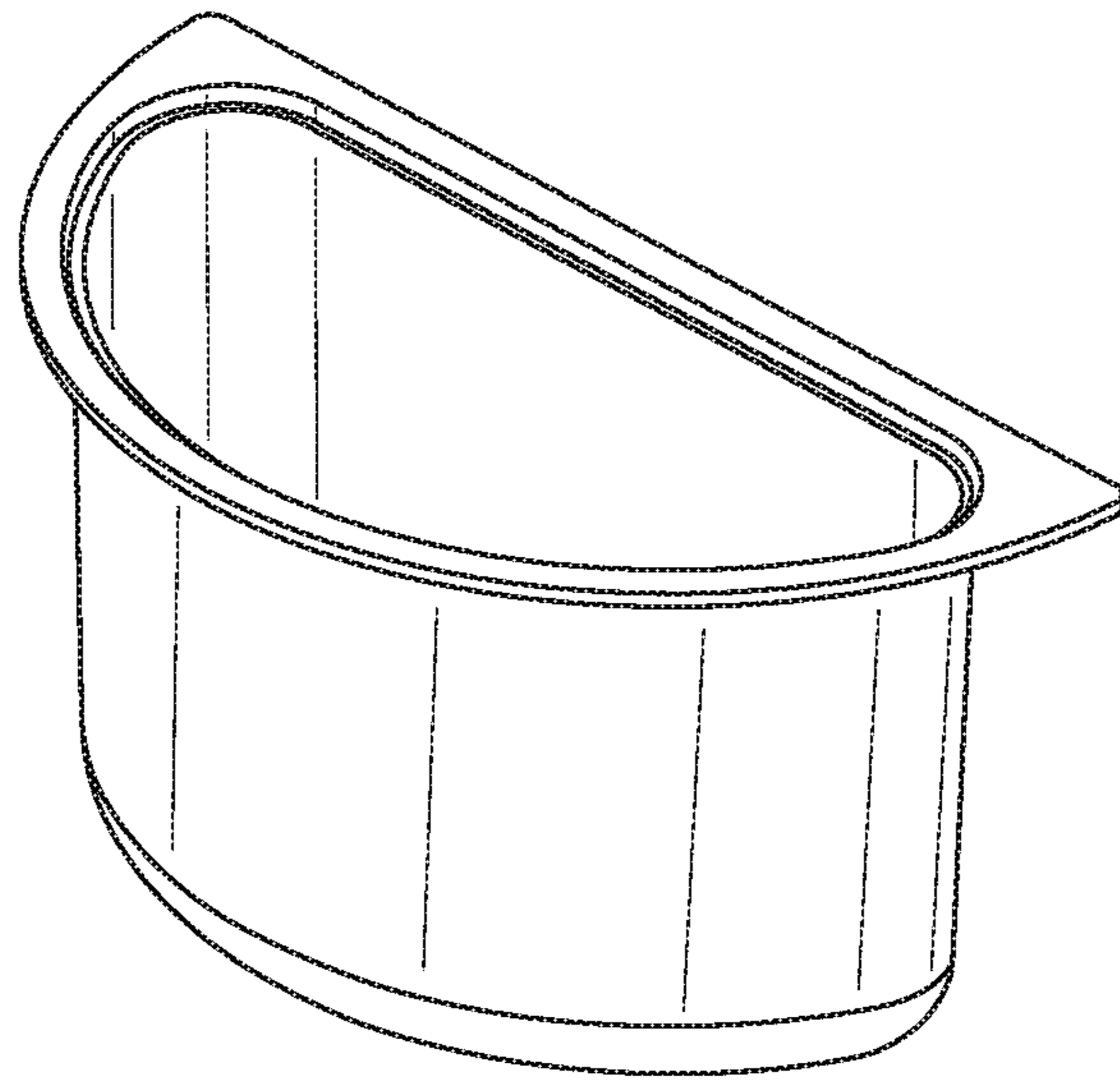
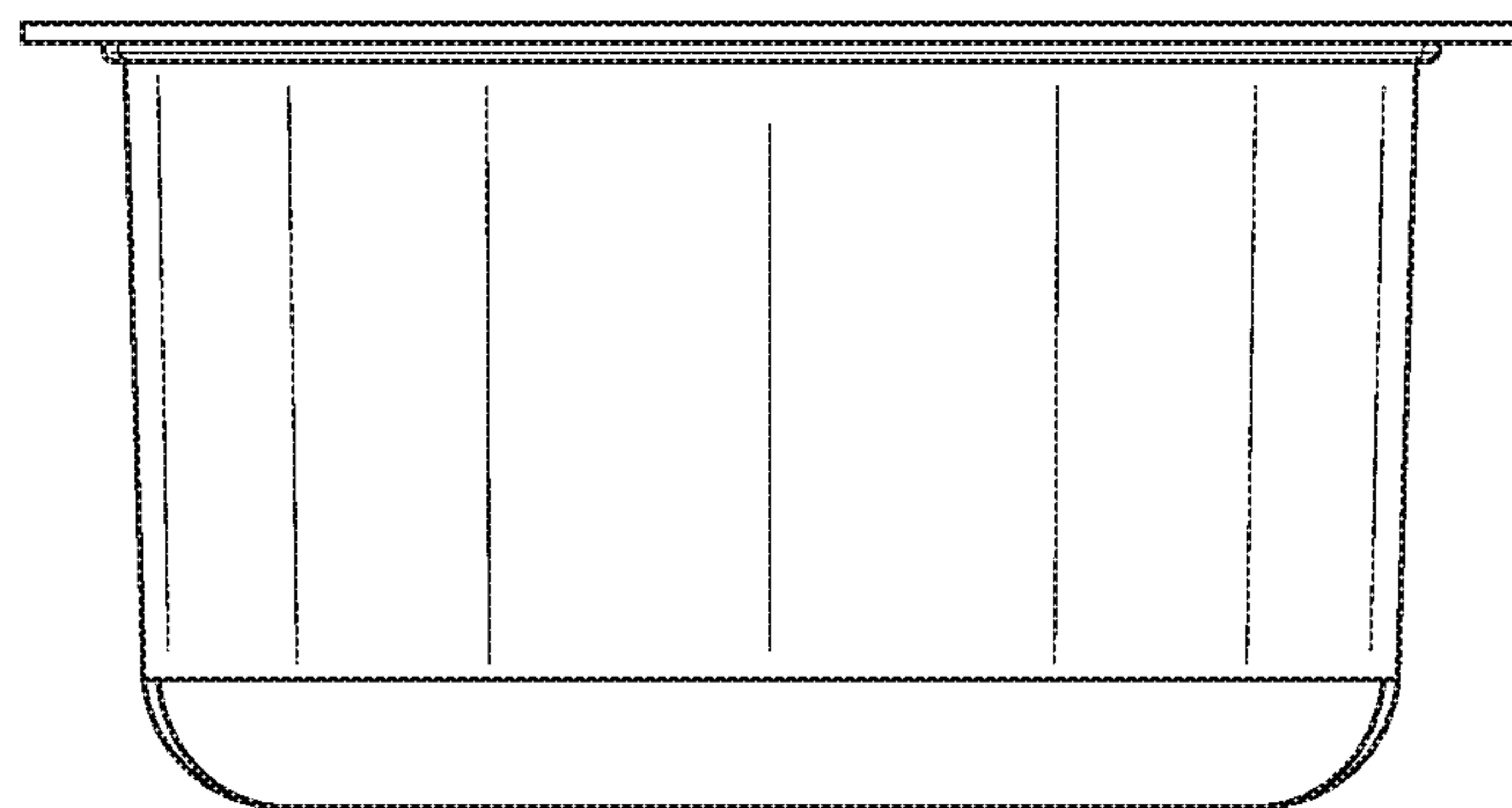


FIG. 8

11 ←



11 ←

FIG. 9

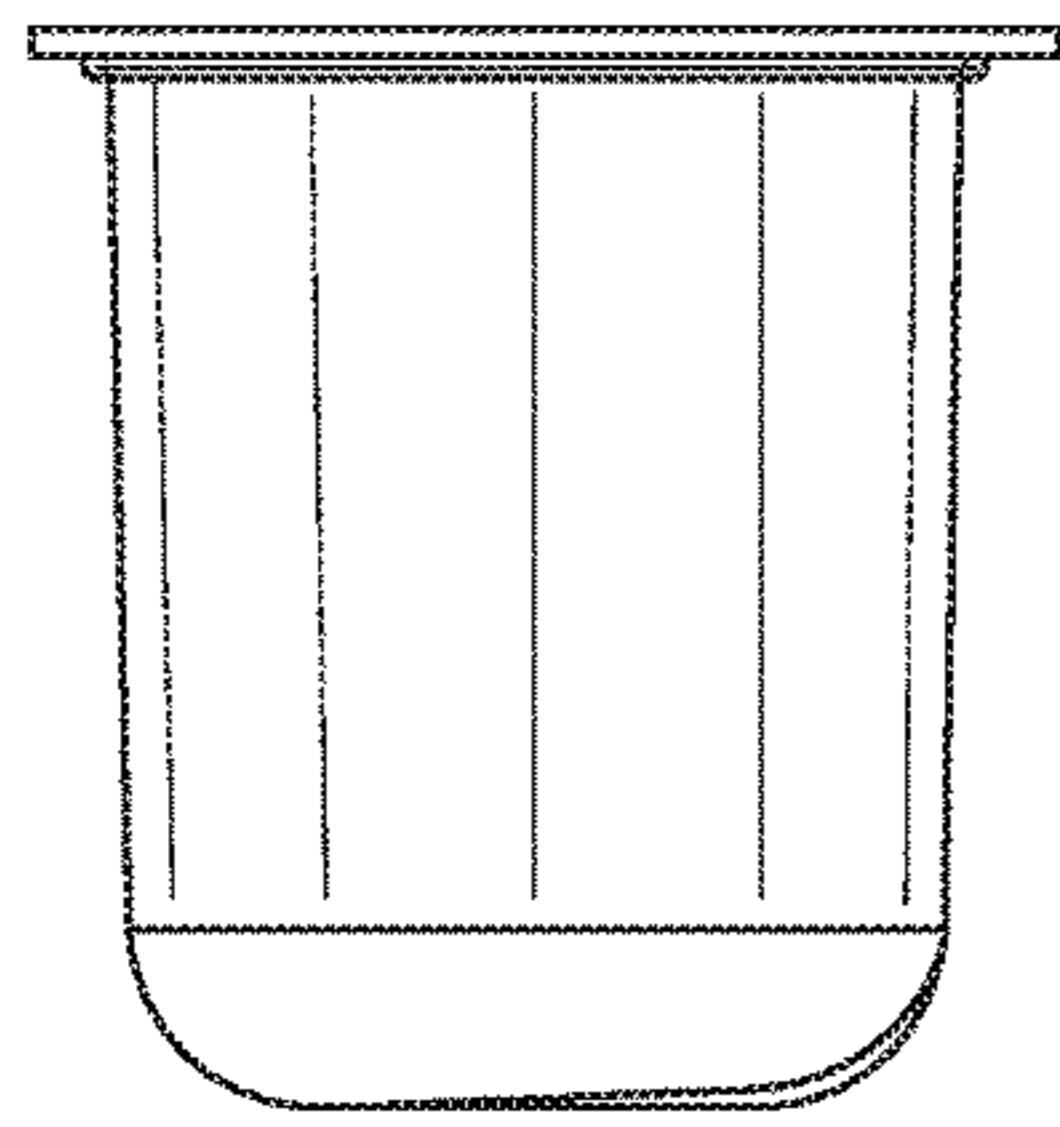


FIG. 10

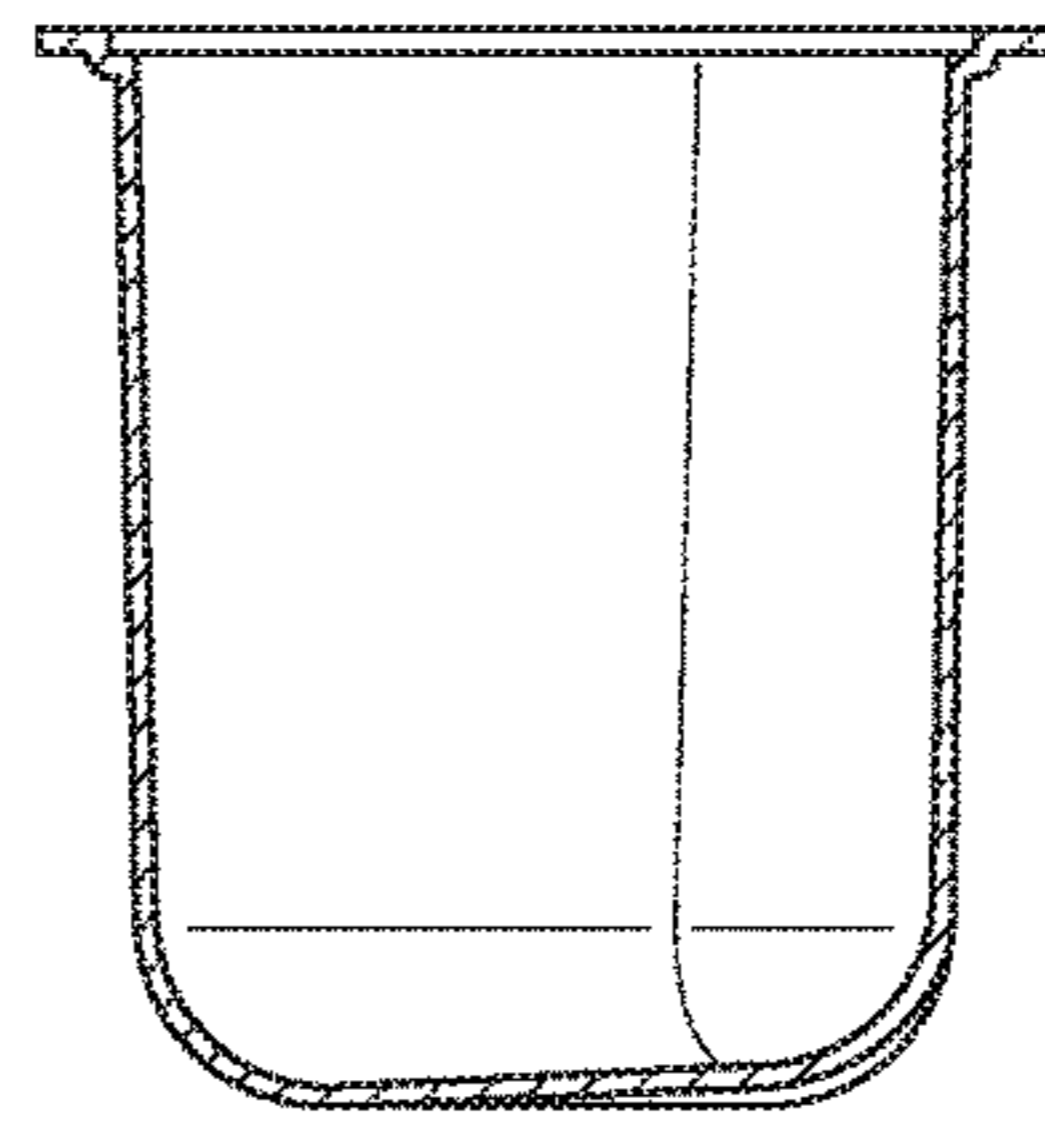


FIG. 11

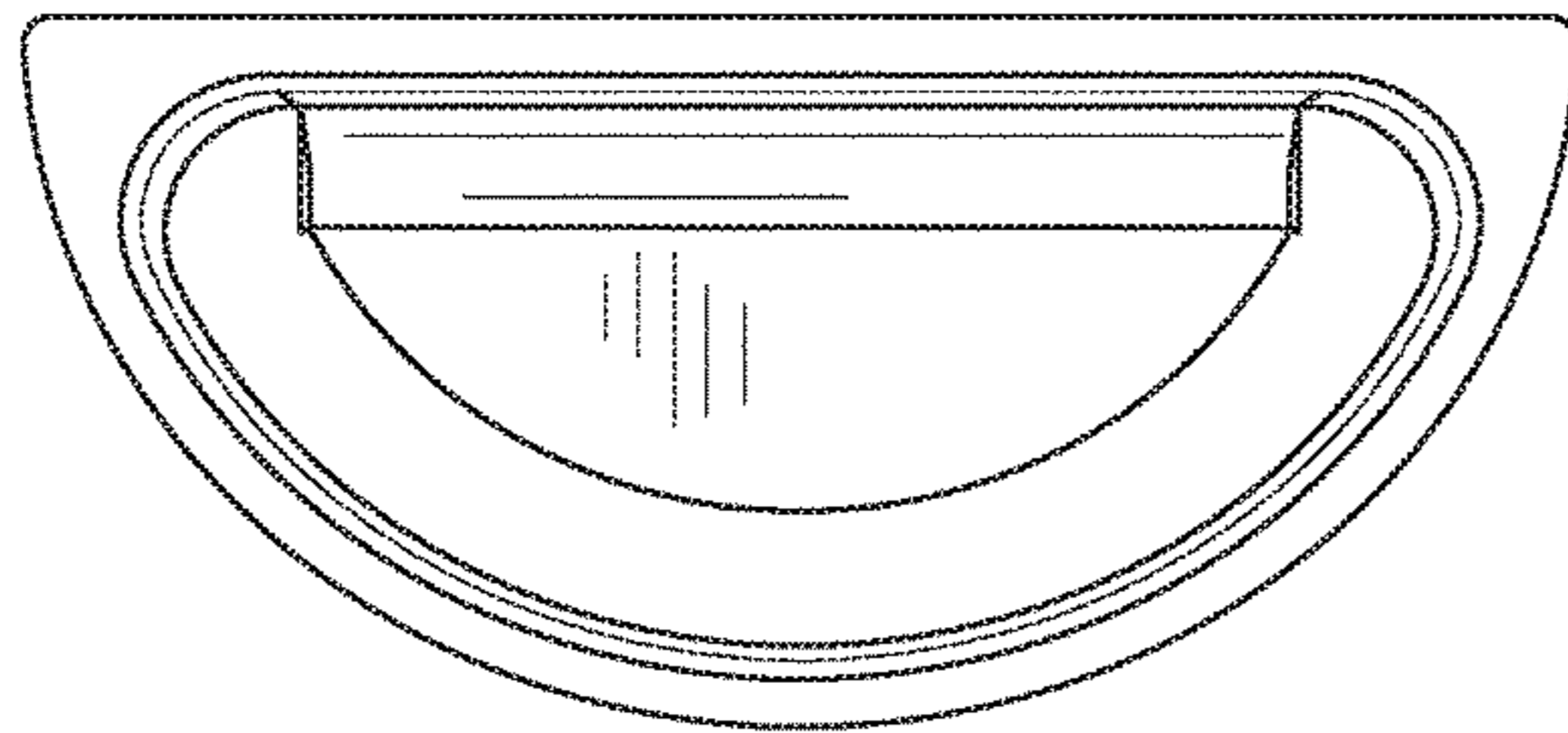


FIG. 12

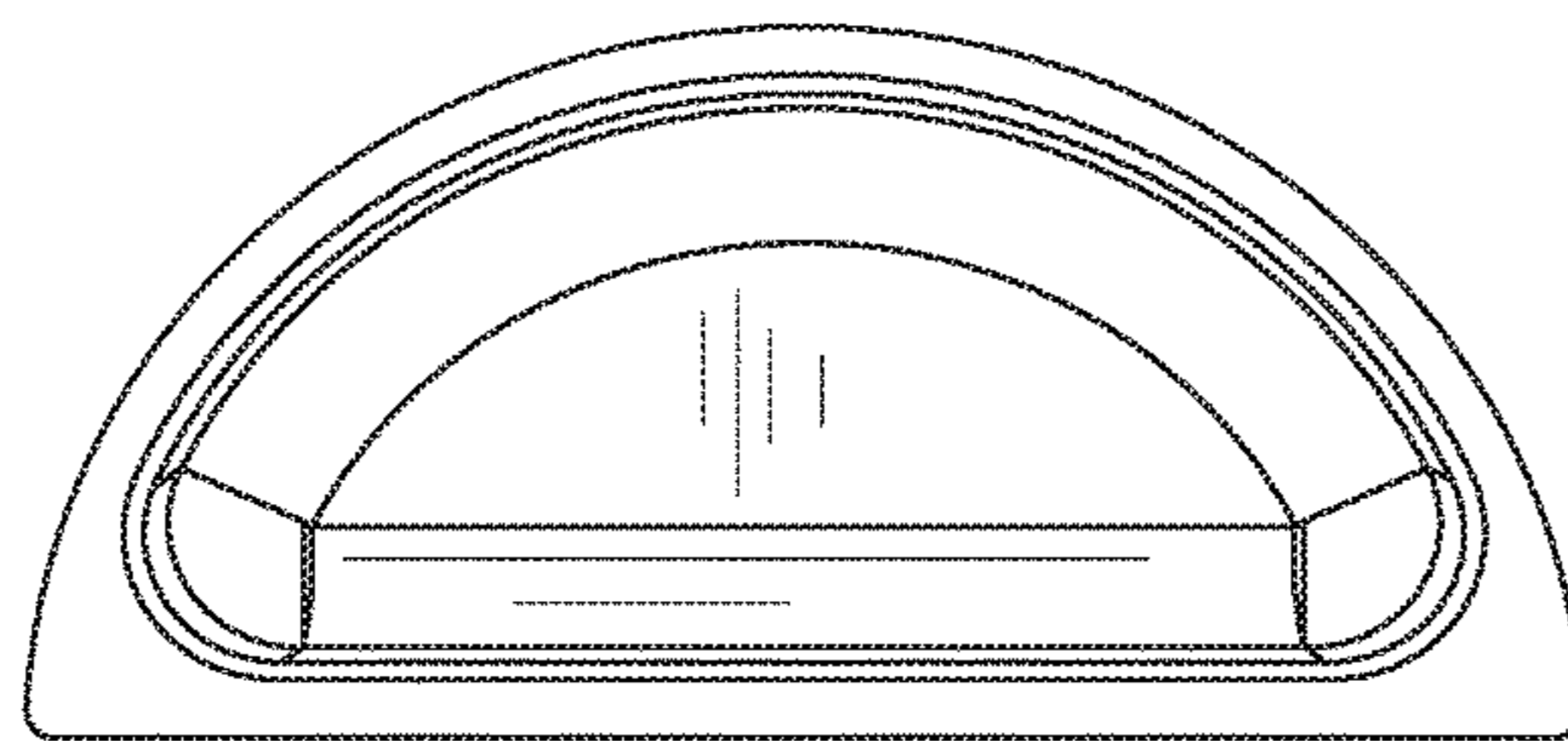


FIG. 13