

US00D809710S

(12) **United States Design Patent**  
**Reda et al.**

(10) **Patent No.:** **US D809,710 S**  
(45) **Date of Patent:** **\*\* Feb. 6, 2018**

(54) **CAPSULE CONTAINING WASHING PRODUCTS**

(71) Applicant: **Reckitt Benckiser Laundry Detergents (No. 1) BV**, Hoofddorp (NL)

(72) Inventors: **Giorgia Reda**, Granollers (ES); **Remigio Musci**, Venice (IT)

(73) Assignee: **RECKITT BENCKISER LAUNDRY DETERGENTS (NO. 1) BV**, WT Hoofddorp (NL)

(\*\*) Term: **15 Years**

(21) Appl. No.: **29/569,651**

(22) Filed: **Jun. 29, 2016**

(30) **Foreign Application Priority Data**

Jan. 8, 2016 (EM) ..... 002938332-0003  
Jan. 29, 2016 (EM) ..... 002964155-0003

(51) **LOC (11) Cl.** ..... **28-03**

(52) **U.S. Cl.**  
USPC ..... **D28/8.1**

(58) **Field of Classification Search**  
USPC ..... D28/4, 8.1-8.2  
CPC . C11D 17/00; C11D 17/0017; C11D 17/0026;  
C11D 17/0047-17/0095; C11D 13/18;  
C11D 13/20; C11D 17/02  
See application file for complete search history.

(56) **References Cited**

**U.S. PATENT DOCUMENTS**

D444,595 S \* 7/2001 Ide ..... D28/8.1  
D490,567 S \* 5/2004 McLeish ..... D28/8.1

D565,242 S \* 3/2008 Wiedemann ..... D28/8.1  
D663,894 S \* 7/2012 Davanzo ..... D28/8.1  
D665,530 S \* 8/2012 Gaertner ..... D28/8.1  
D679,862 S \* 4/2013 Sunder ..... D28/8.1  
D689,240 S \* 9/2013 Sunder ..... D28/8.1  
D689,241 S \* 9/2013 Gerhards ..... D28/8.1  
D691,326 S \* 10/2013 Gerhards ..... D28/8.1  
D728,157 S \* 4/2015 Sarb ..... D28/8.1  
D733,962 S \* 7/2015 Sunder ..... D28/8.1  
D735,407 S \* 7/2015 Gerhards ..... D28/8.1  
D735,408 S \* 7/2015 Meier ..... D28/8.1  
D744,162 S \* 11/2015 Sunder ..... D28/8.1  
D759,891 S \* 6/2016 Sarb ..... D28/8.1  
D774,249 S \* 12/2016 McLenithan ..... D28/8.1  
D777,373 S \* 1/2017 Sunder ..... D28/8.1  
D783,202 S \* 4/2017 Burdeos Andreu ..... D28/8.1  
D796,736 S \* 9/2017 Burdeos Andreu ..... D28/8.1  
D797,991 S \* 9/2017 Johnson ..... D28/8.1  
2015/0136637 A1 \* 5/2015 Meier ..... B65D 65/46  
206/524.7  
2017/0057716 A1 \* 3/2017 Fowler ..... B65D 65/46

\* cited by examiner

*Primary Examiner* — Jennifer Rivard

(74) *Attorney, Agent, or Firm* — Norris McLaughlin & Marcus PA

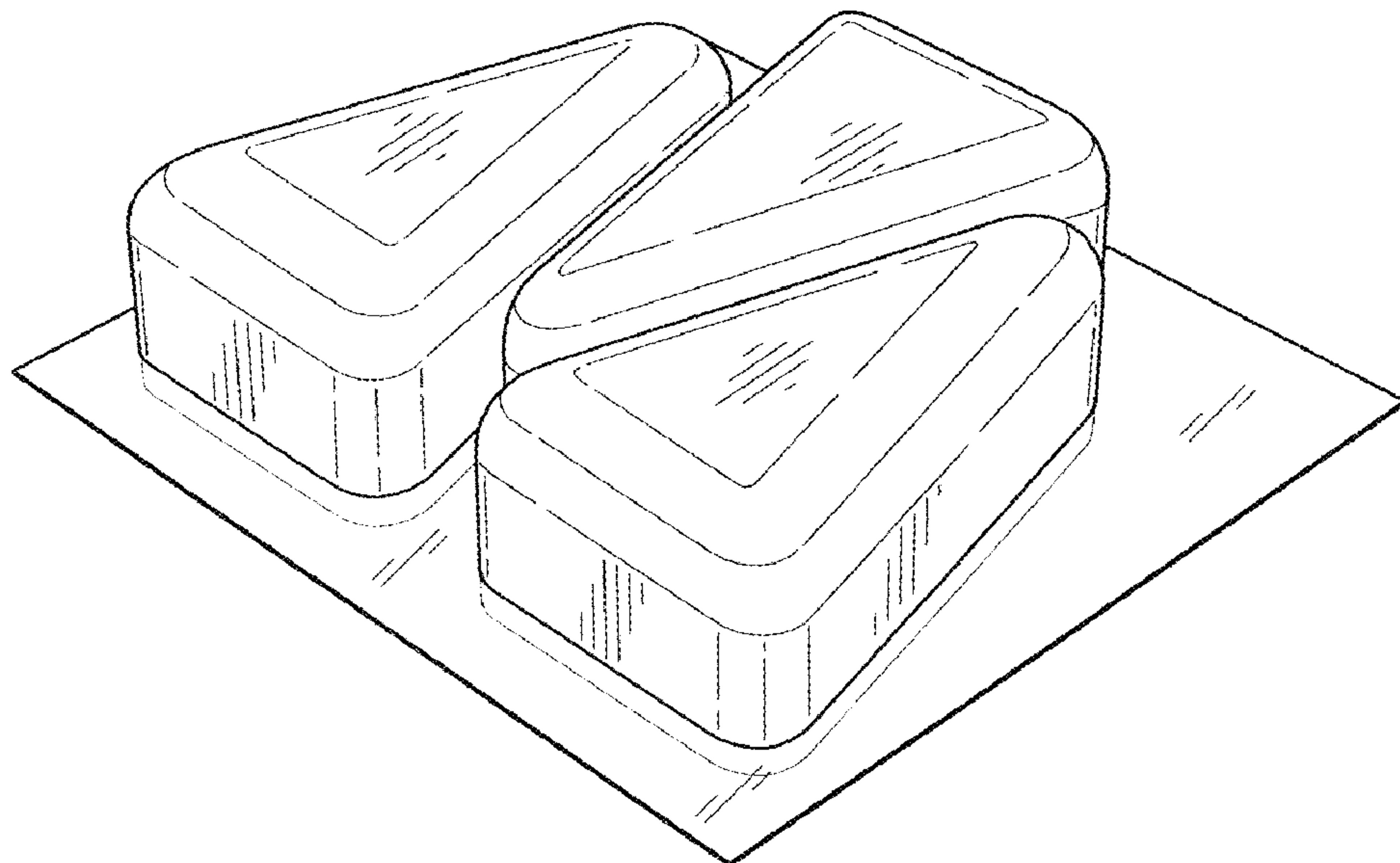
(57) **CLAIM**

The ornamental design for a capsule containing washing products, as shown and described.

**DESCRIPTION**

FIG. 1 is a frontal perspective view thereof;  
FIG. 2 is a front elevational view thereof;  
FIG. 3 is a first side elevational view thereof;  
FIG. 4 is a rear elevational view thereof;  
FIG. 5 is a second side elevational view thereof;  
FIG. 6 is a top plan view thereof; and,  
FIG. 7 is a bottom plan view thereof.

**1 Claim, 3 Drawing Sheets**



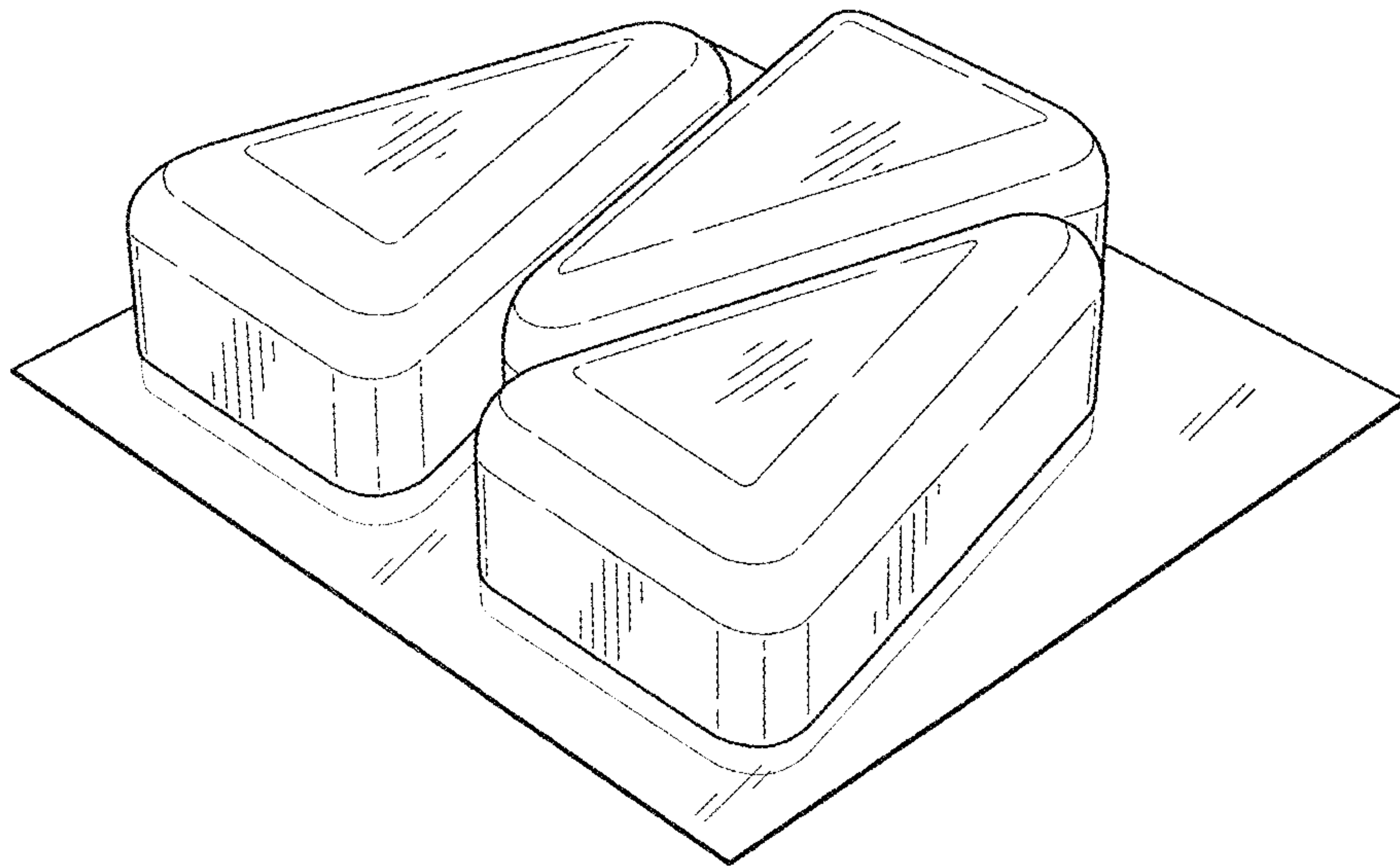


Fig. 1

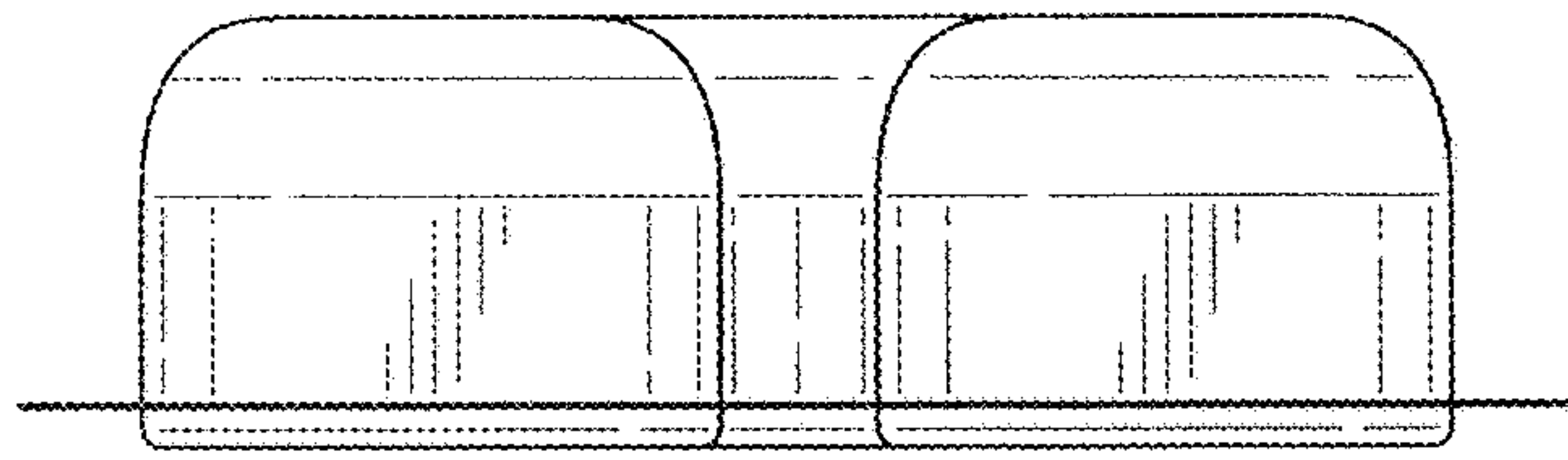


Fig. 2

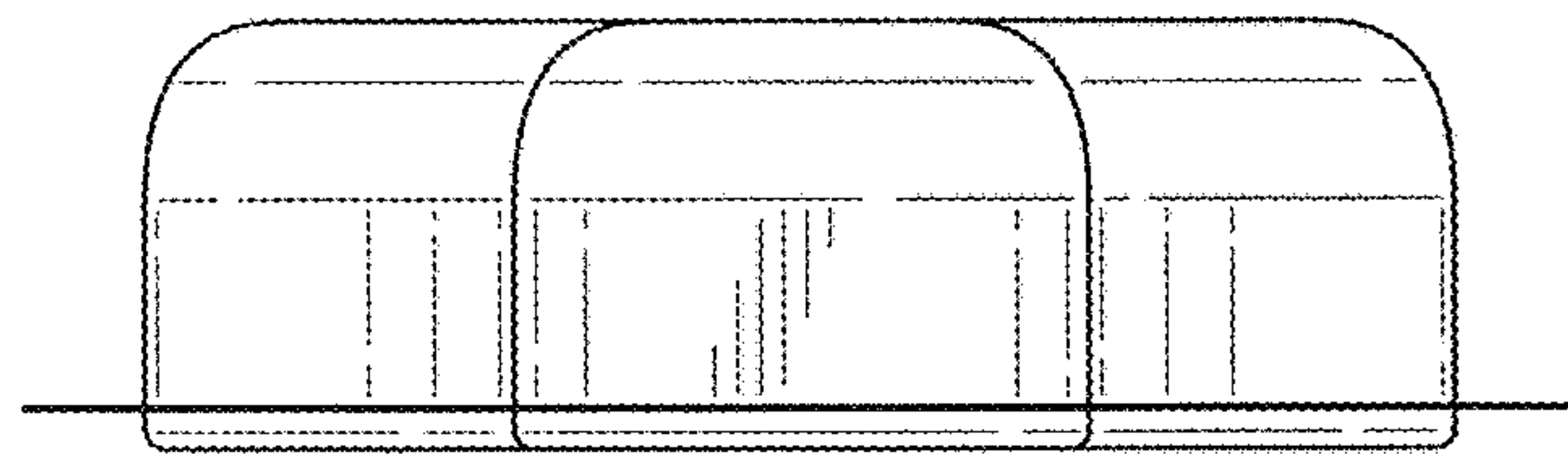


Fig. 3

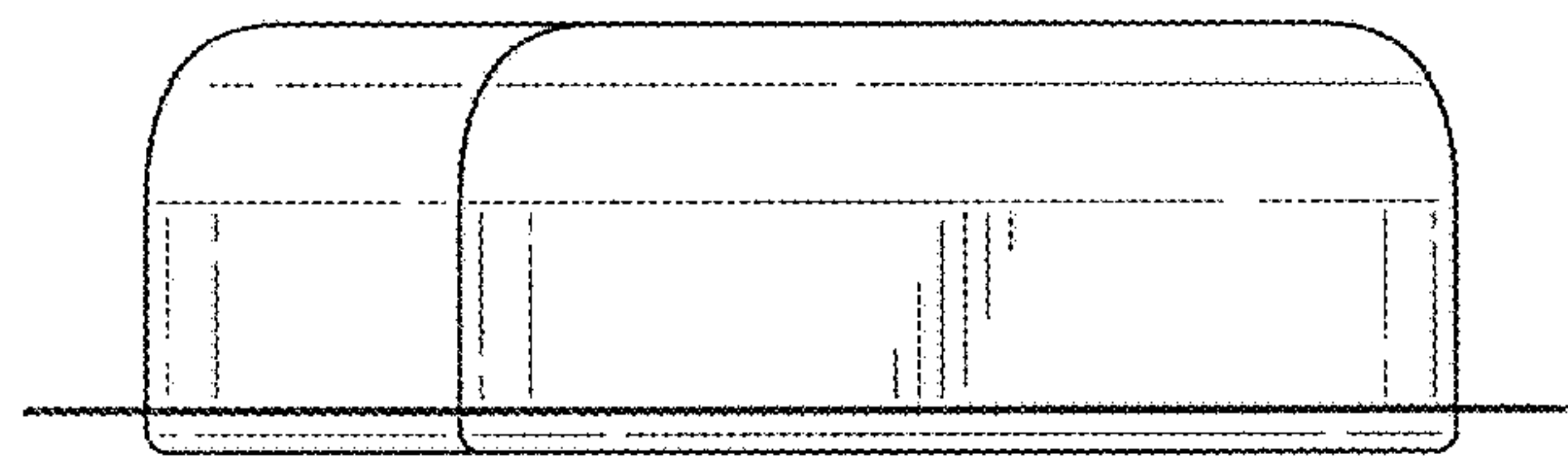


Fig. 4

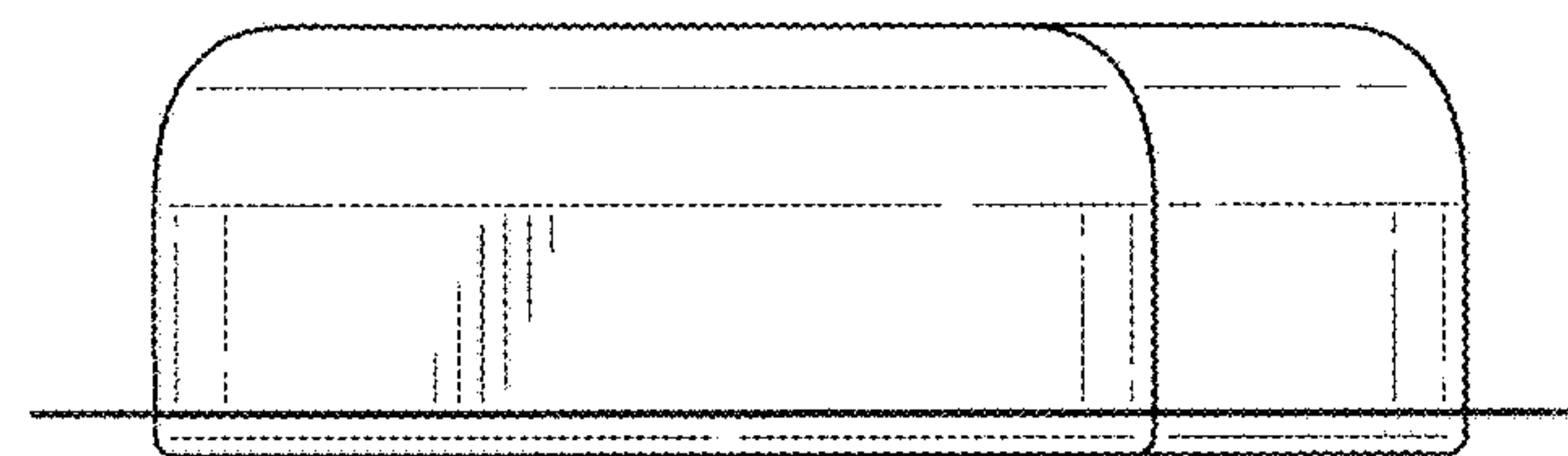


Fig. 5

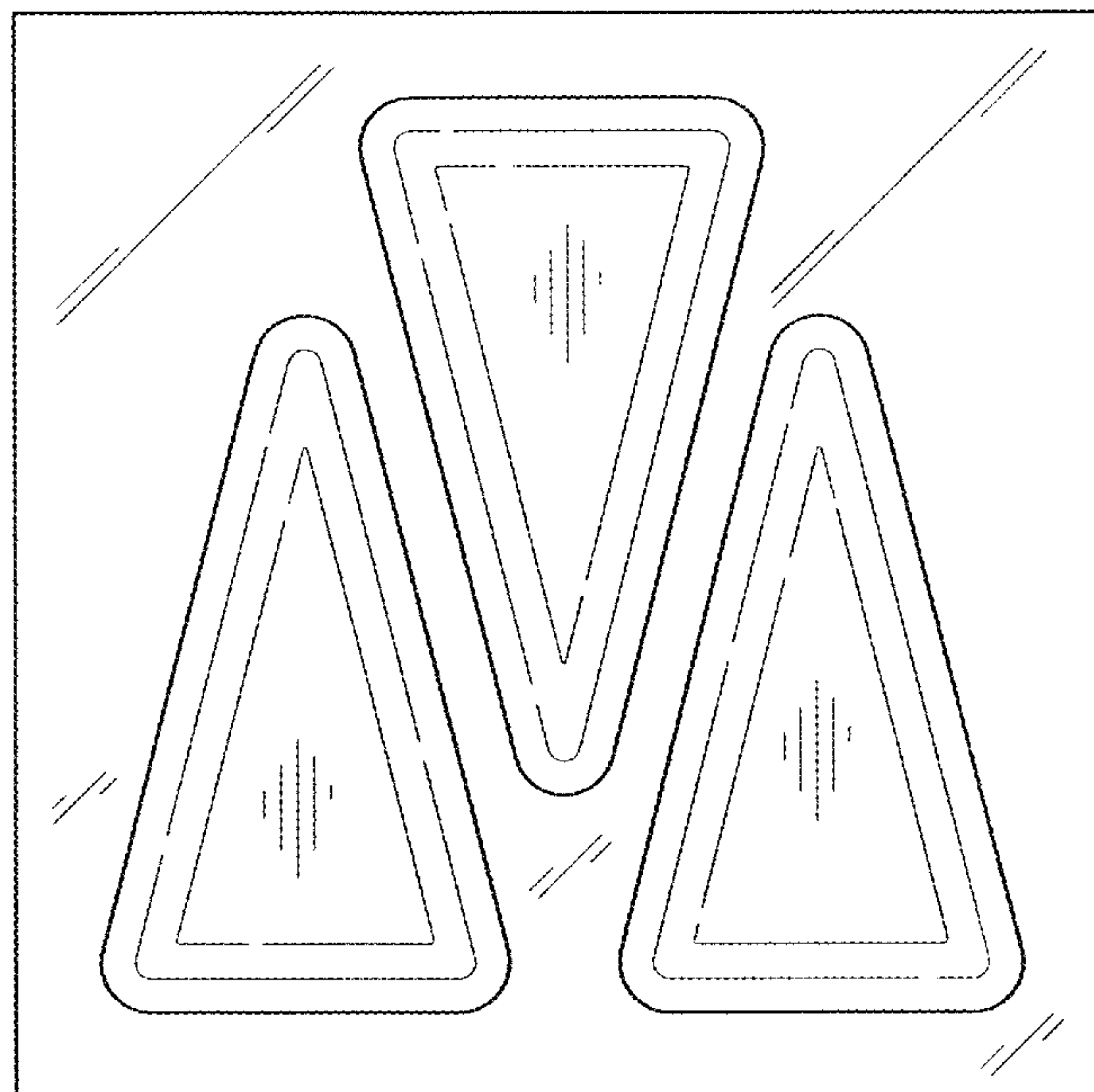


Fig. 6

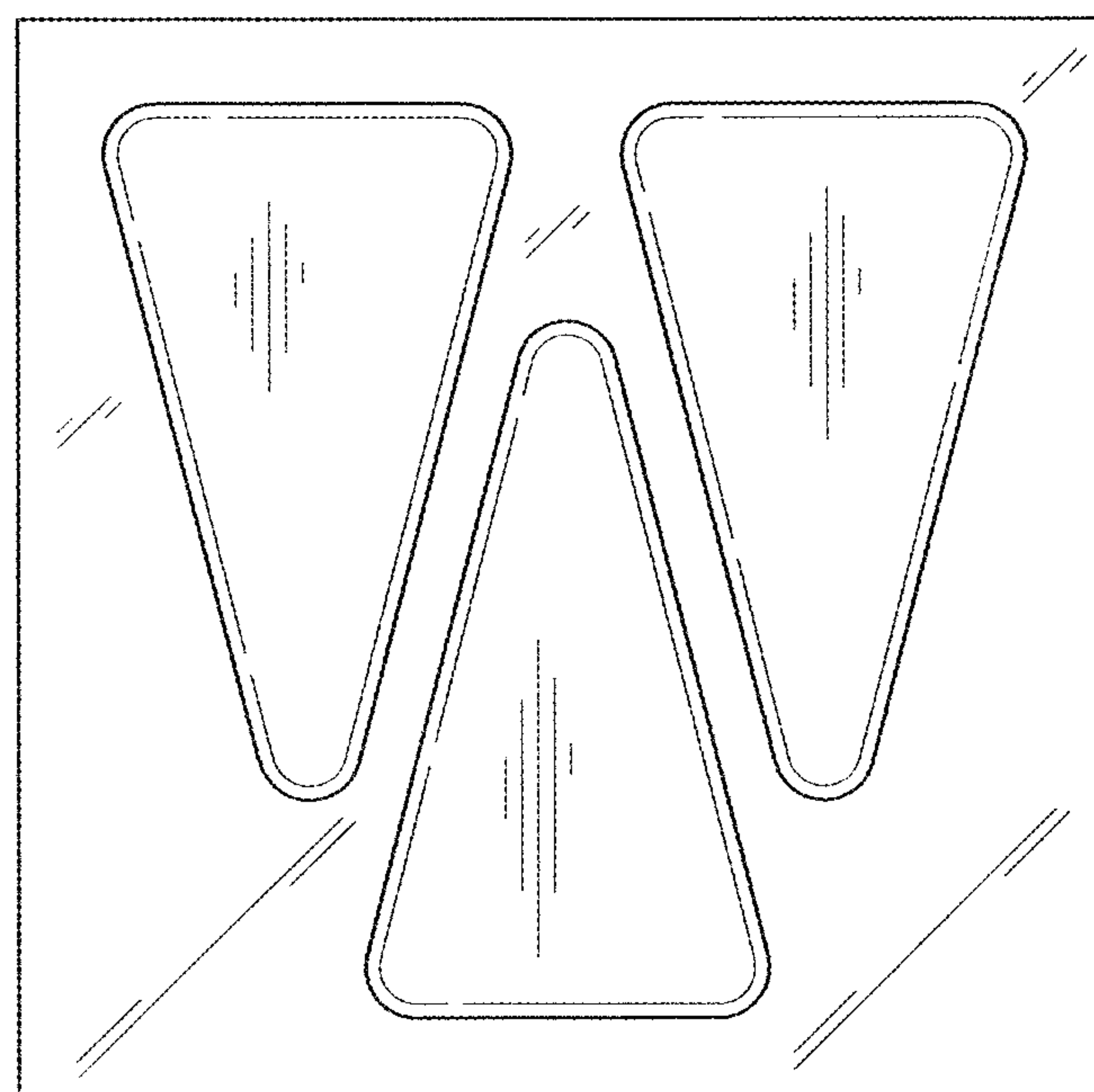


Fig. 7