



US00D809708S

(12) **United States Design Patent**
Reda et al.

(10) **Patent No.:** **US D809,708 S**
(45) **Date of Patent:** **** Feb. 6, 2018**

(54) **CAPSULE CONTAINING WASHING PRODUCTS**

(71) Applicant: **Reckitt Benckiser Laundry Detergents (No. 1) BV**, Hoofddorp (NL)

(72) Inventors: **Giorgia Reda**, Granollers (ES); **Remigio Musci**, Venice (IT)

(73) Assignee: **RECKITT BENCKISER LAUNDRY DETERGENTS (NO. 1) BV**, WT Hoofddorp (NL)

(**) Term: **15 Years**

(21) Appl. No.: **29/569,643**

(22) Filed: **Jun. 29, 2016**

(30) **Foreign Application Priority Data**

Jan. 8, 2016 (EM) 002938332-0001
Jan. 29, 2016 (EM) 002964155-0001

(51) **LOC (11) Cl.** **28-03**

(52) **U.S. Cl.**
USPC **D28/8.1**

(58) **Field of Classification Search**
USPC D28/4, 8.1-8.2
CPC . C11D 17/00; C11D 17/0017; C11D 17/0026;
C11D 17/0047-17/0095; C11D 13/18;
C11D 13/20; C11D 17/02
See application file for complete search history.

(56) **References Cited**

U.S. PATENT DOCUMENTS

D444,595 S * 7/2001 Ide D28/8.1
D490,567 S * 5/2004 McLeish D28/8.1

D565,242 S * 3/2008 Wiedemann D28/8.1
D663,894 S * 7/2012 Davanzo D28/8.1
D665,530 S * 8/2012 Gaertner D28/8.1
D679,862 S * 4/2013 Sunder D28/8.1
D689,240 S * 9/2013 Sunder D28/8.1
D689,241 S * 9/2013 Gerhards D28/8.1
D691,326 S * 10/2013 Gerhards D28/8.1
D728,157 S * 4/2015 Sarb D28/8.1
D733,962 S * 7/2015 Sunder D28/8.1
D735,407 S * 7/2015 Gerhards D28/8.1
D735,408 S * 7/2015 Meier D28/8.1
D744,162 S * 11/2015 Sunder D28/8.1
D759,891 S * 6/2016 Sarb D28/8.1
D774,249 S * 12/2016 McLenithan D28/8.1
D777,373 S * 1/2017 Sunder D28/8.1
D783,202 S * 4/2017 Burdeos Andreu D28/8.1
D796,736 S * 9/2017 Burdeos Andreu D28/8.1
D797,991 S * 9/2017 Johnson D28/8.1
2015/0136637 A1 * 5/2015 Meier B65D 65/46
206/524.7
2017/0057716 A1 * 3/2017 Fowler B65D 65/46

* cited by examiner

Primary Examiner — Jennifer Rivard

(74) *Attorney, Agent, or Firm* — Norris McLaughlin & Marcus PA

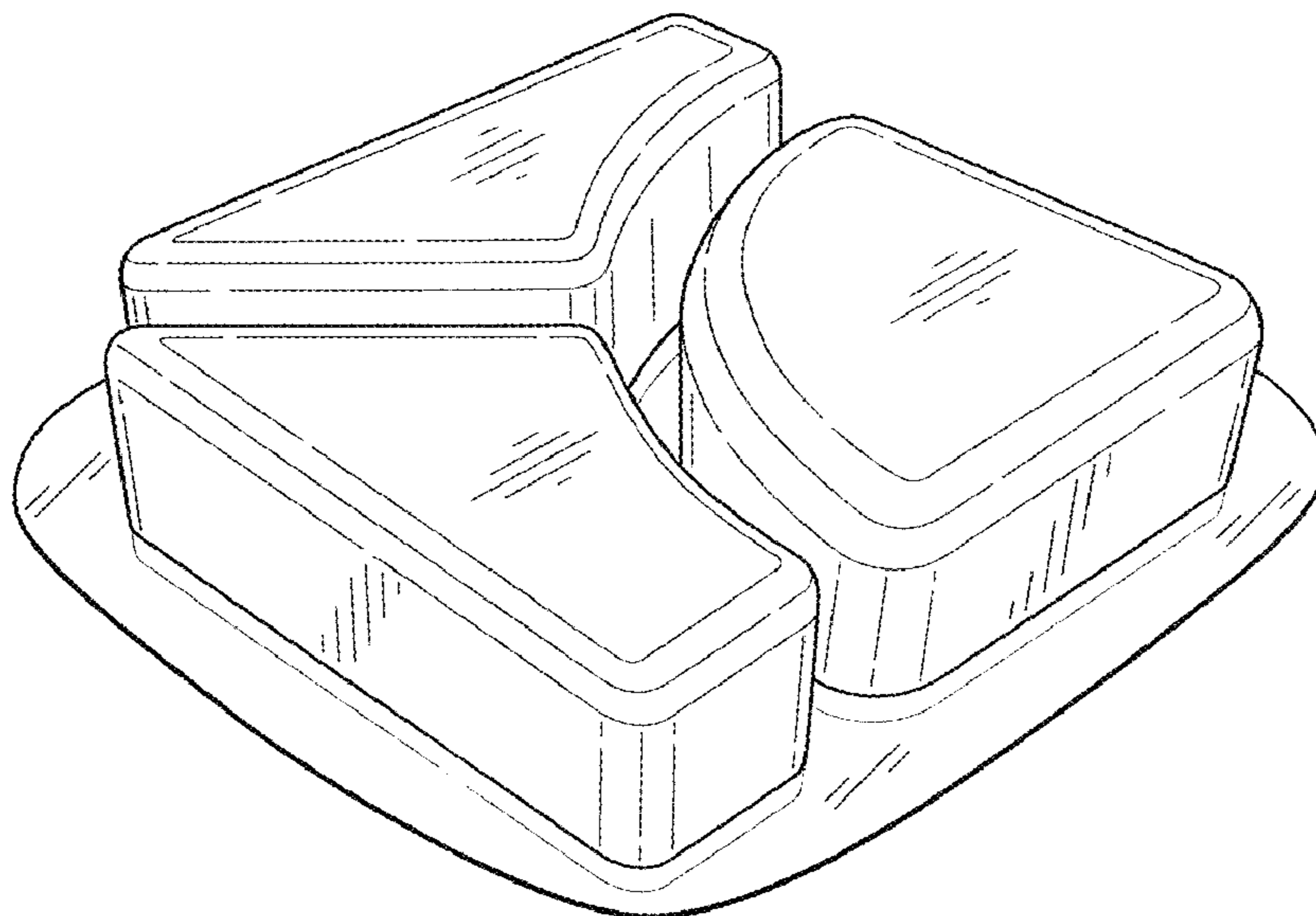
(57) **CLAIM**

The ornamental design for a capsule containing washing products, as shown and described.

DESCRIPTION

FIG. 1 is a frontal perspective view thereof;
FIG. 2 is a front elevational view thereof;
FIG. 3 is a first side elevational view thereof;
FIG. 4 is a rear elevational view thereof;
FIG. 5 is a second side elevational view thereof;
FIG. 6 is a top plan view thereof; and,
FIG. 7 is a bottom plan view thereof.

1 Claim, 3 Drawing Sheets



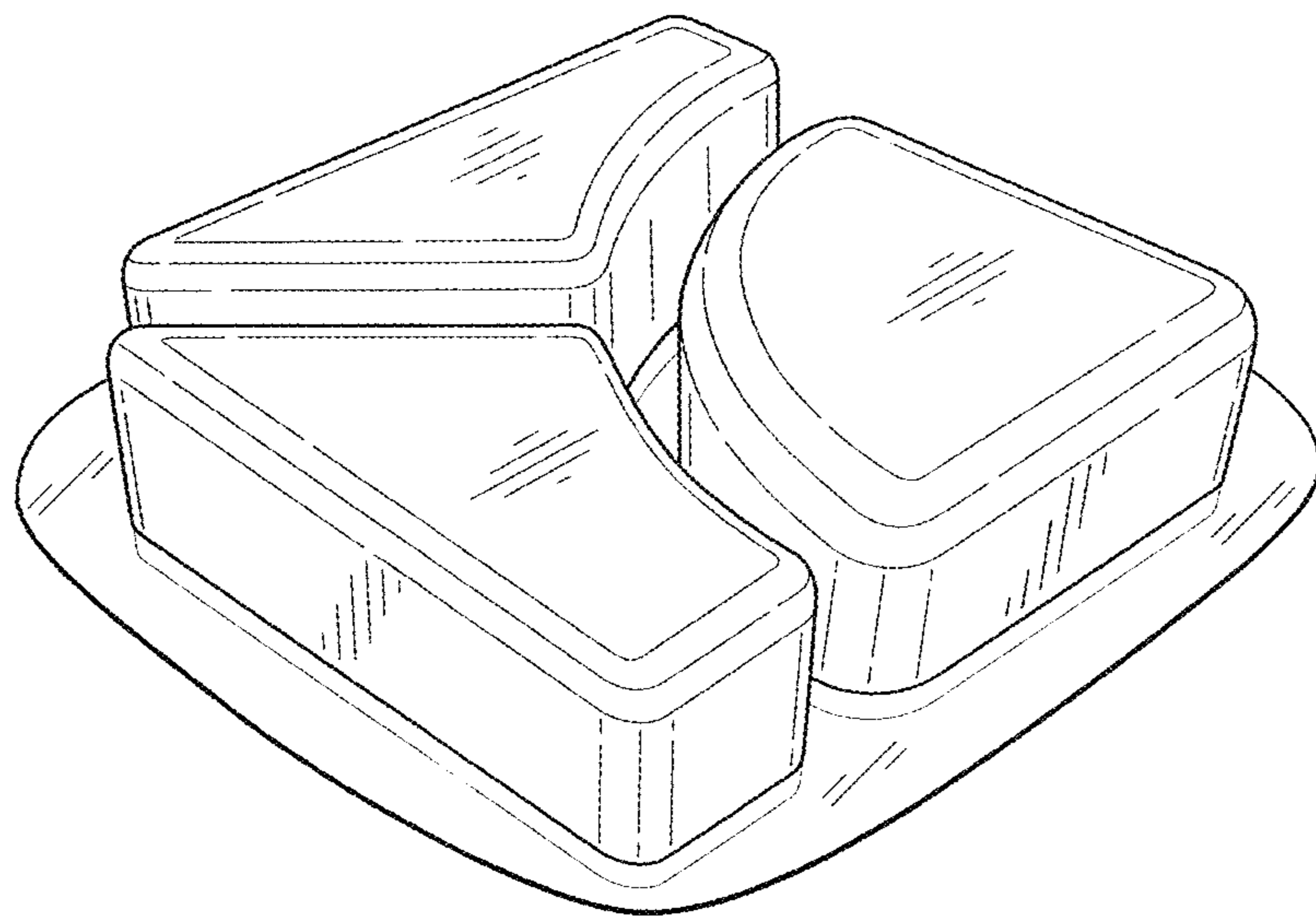


Fig. 1

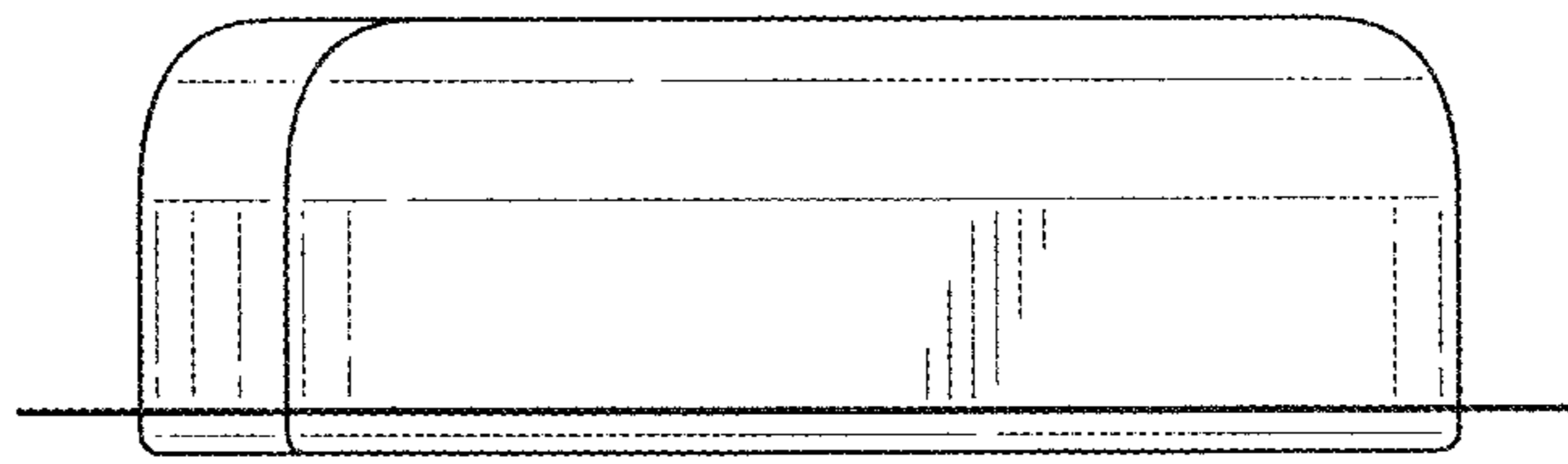


Fig. 2

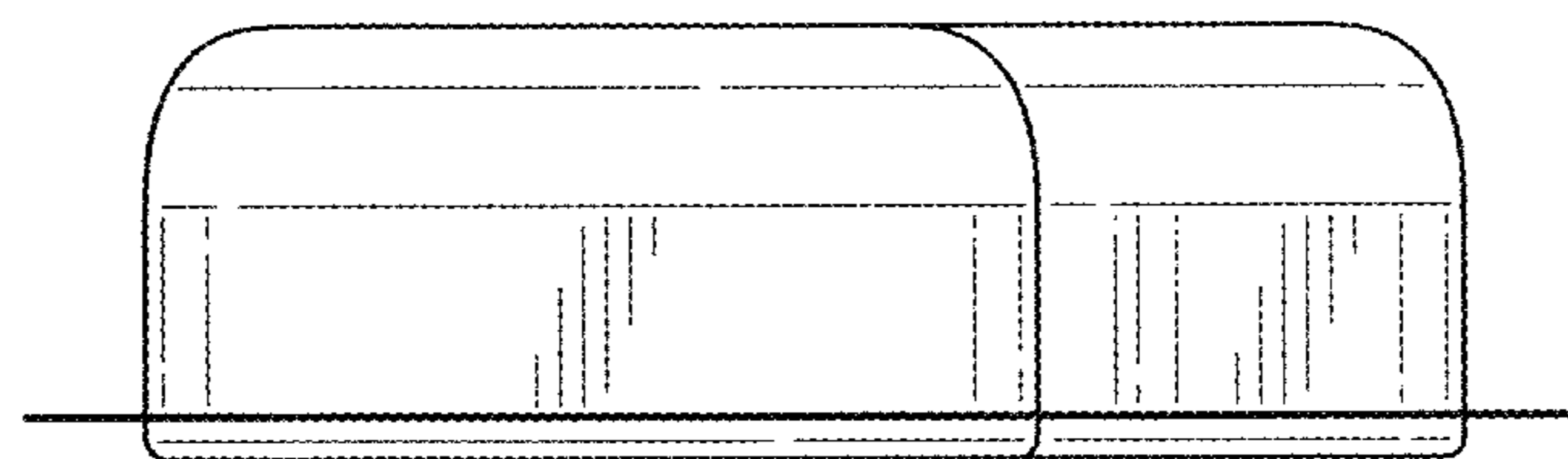


Fig. 3

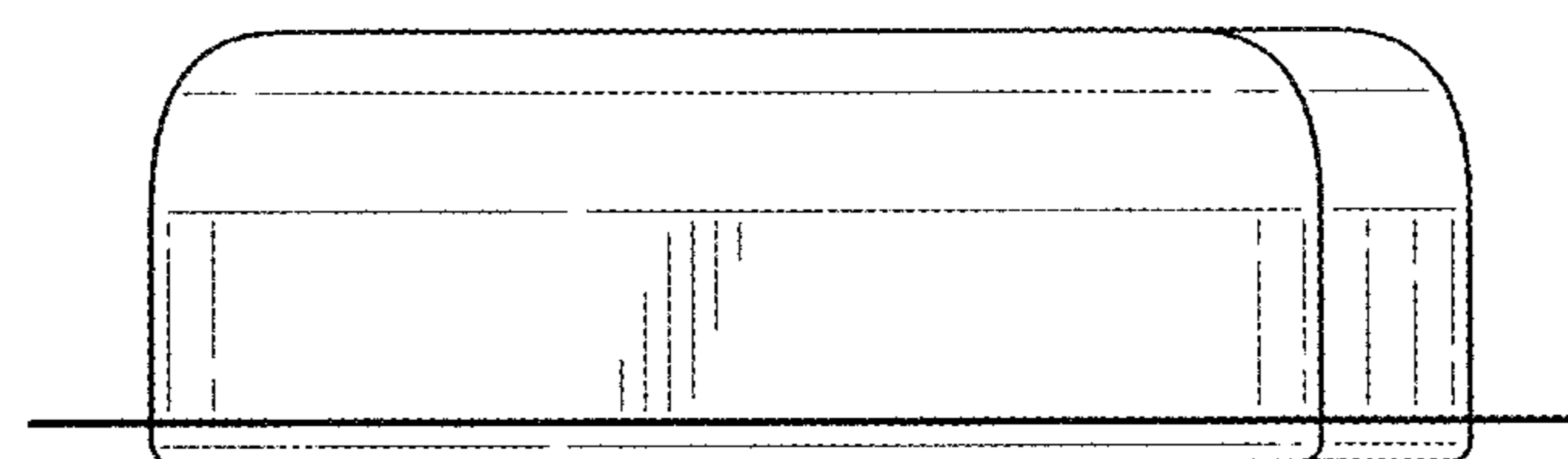


Fig. 4

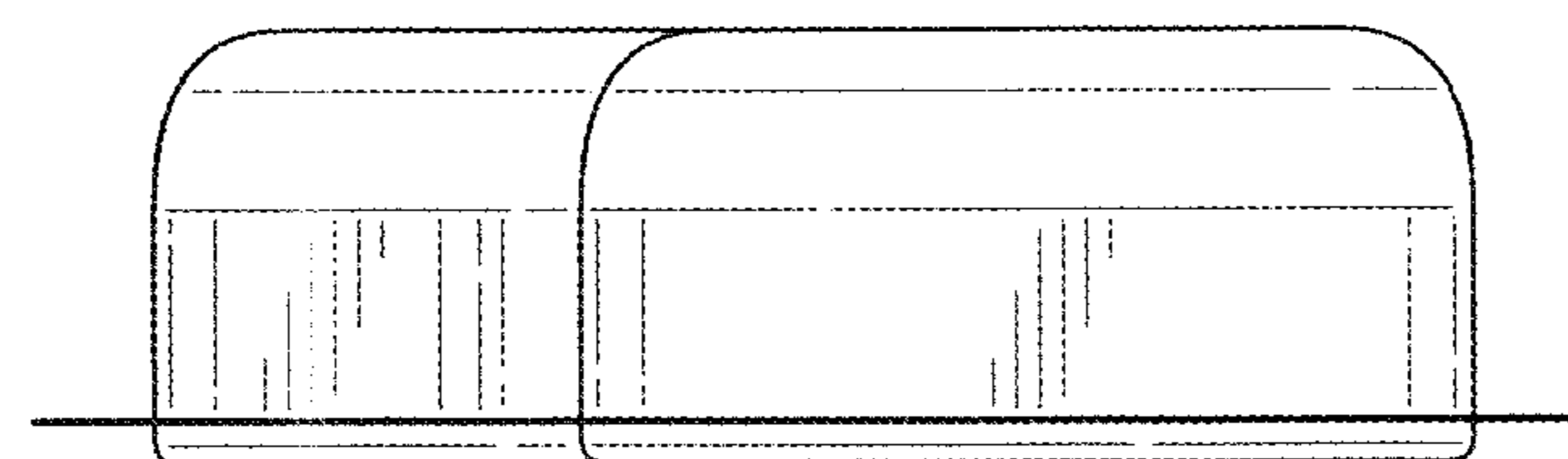


Fig. 5

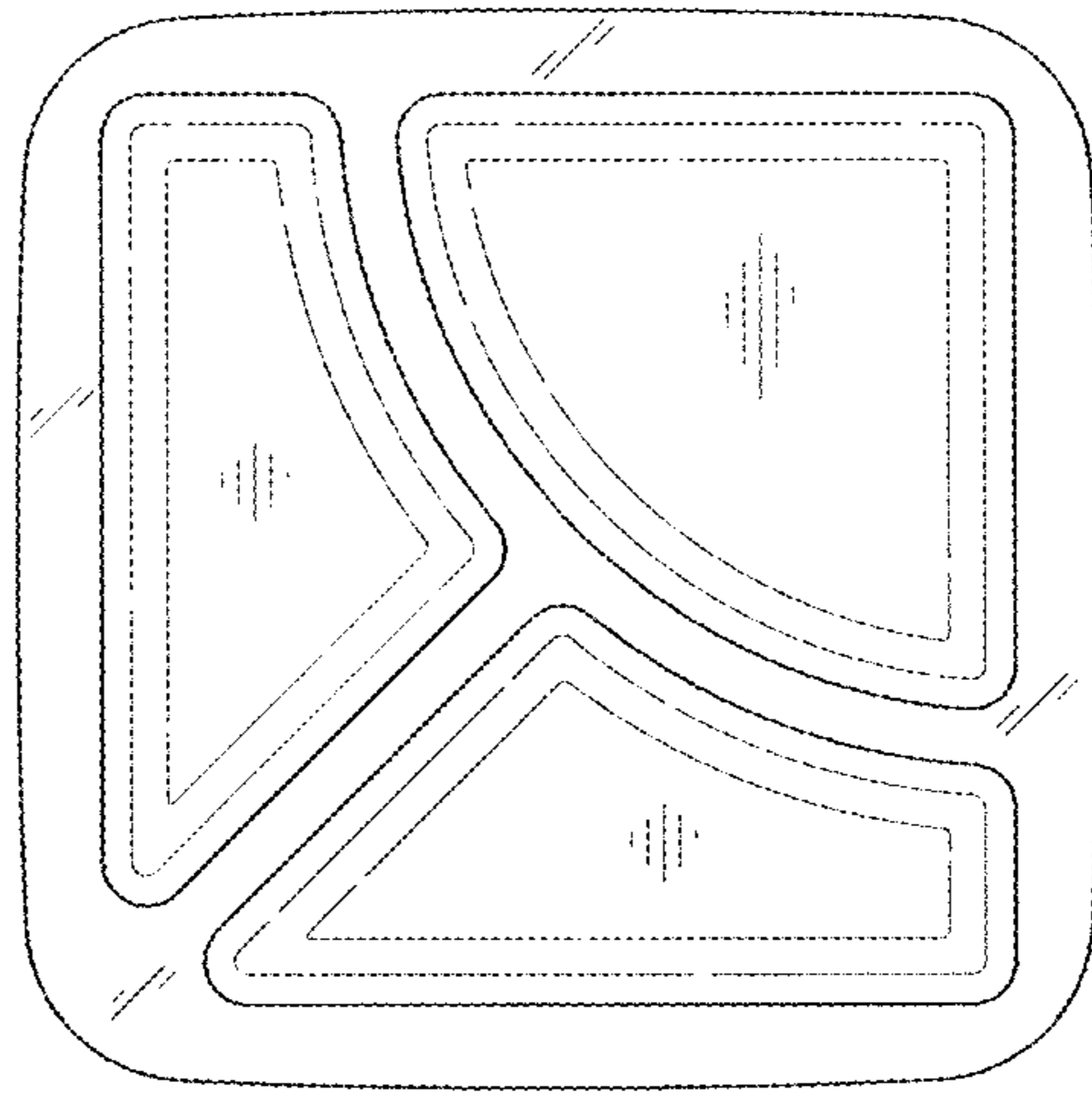


Fig. 6

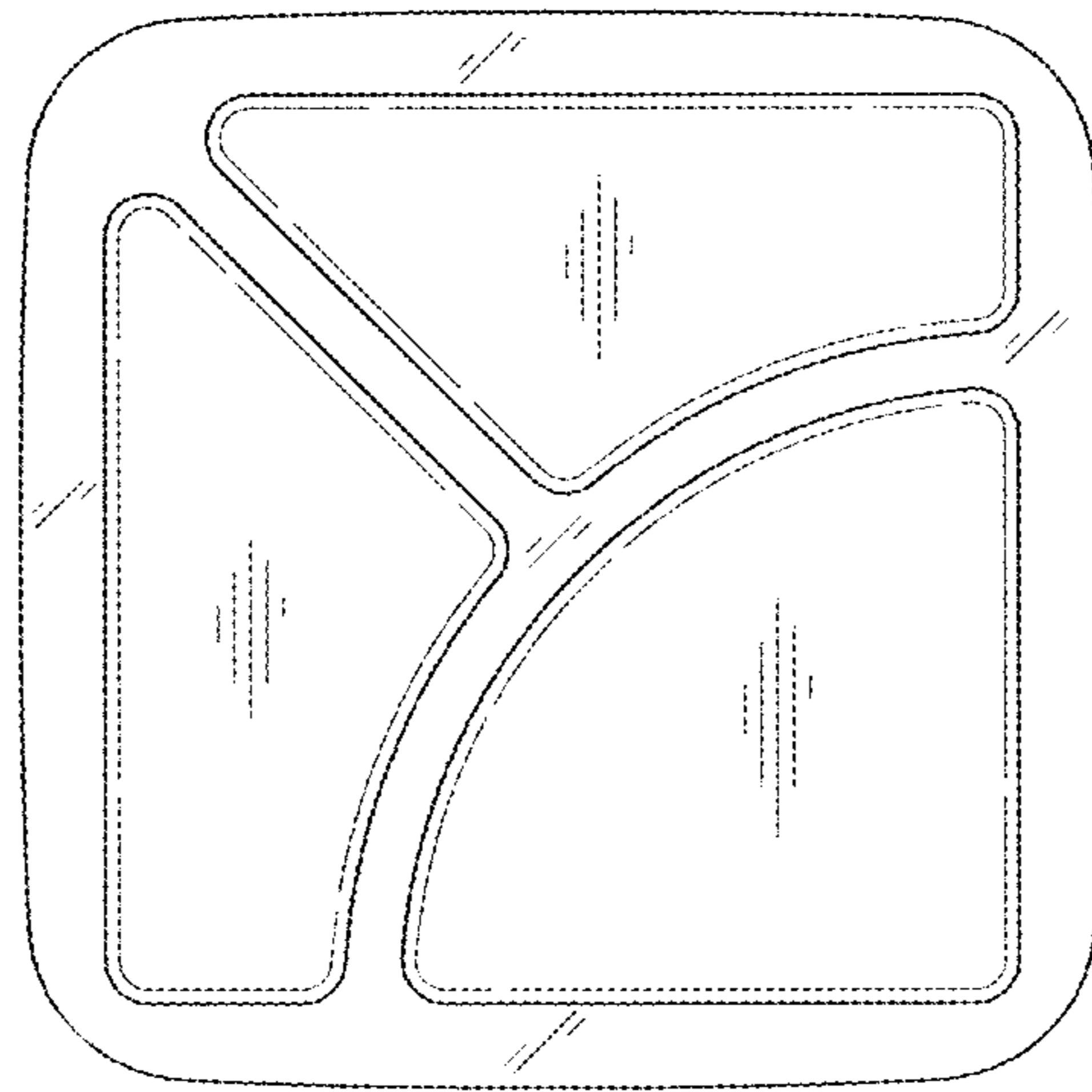


Fig. 7